



US00D872035S

(12) **United States Design Patent**
Aromin et al.

(10) **Patent No.:** **US D872,035 S**

(45) **Date of Patent:** **** Jan. 7, 2020**

(54) **ARC FAULT CIRCUIT INTERRUPTER**

H01R 13/14; H01R 13/713; H01R 24/30;
H05K 5/00; H05K 5/03

(71) Applicants: **Victor V Aromin**, West Warwick, RI (US); **Daniel R Paquette**, Woonsocket, RI (US); **Louis Jay Shatkin**, East Greenwich, RI (US)

See application file for complete search history.

(56) **References Cited**

U.S. PATENT DOCUMENTS

(72) Inventors: **Victor V Aromin**, West Warwick, RI (US); **Daniel R Paquette**, Woonsocket, RI (US); **Louis Jay Shatkin**, East Greenwich, RI (US)

D414,747 S *	10/1999	Aromin	D13/160
D434,010 S *	11/2000	Stekelenburg	D13/160
D451,481 S *	12/2001	MacKay	D13/160
D708,576 S *	7/2014	Aromin	D13/110
D722,571 S *	2/2015	Aromin	D13/160

(Continued)

(73) Assignee: **Tower Manufacturing Corp.**, Providence, RI (US)

Primary Examiner — Angela J Lee

Assistant Examiner — Shawn T Gingrich

(**) Term: **15 Years**

(21) Appl. No.: **29/659,757**

(57) **CLAIM**

(22) Filed: **Aug. 11, 2018**

The ornamental design for an arc fault circuit interrupter, substantially as shown and described.

Related U.S. Application Data

DESCRIPTION

(63) Continuation-in-part of application No. 29/583,711, filed on Nov. 8, 2016, now abandoned.

(51) **LOC (12) Cl.** **13-03**

(52) **U.S. Cl.**
USPC **D13/160; D13/139.6**

(58) **Field of Classification Search**

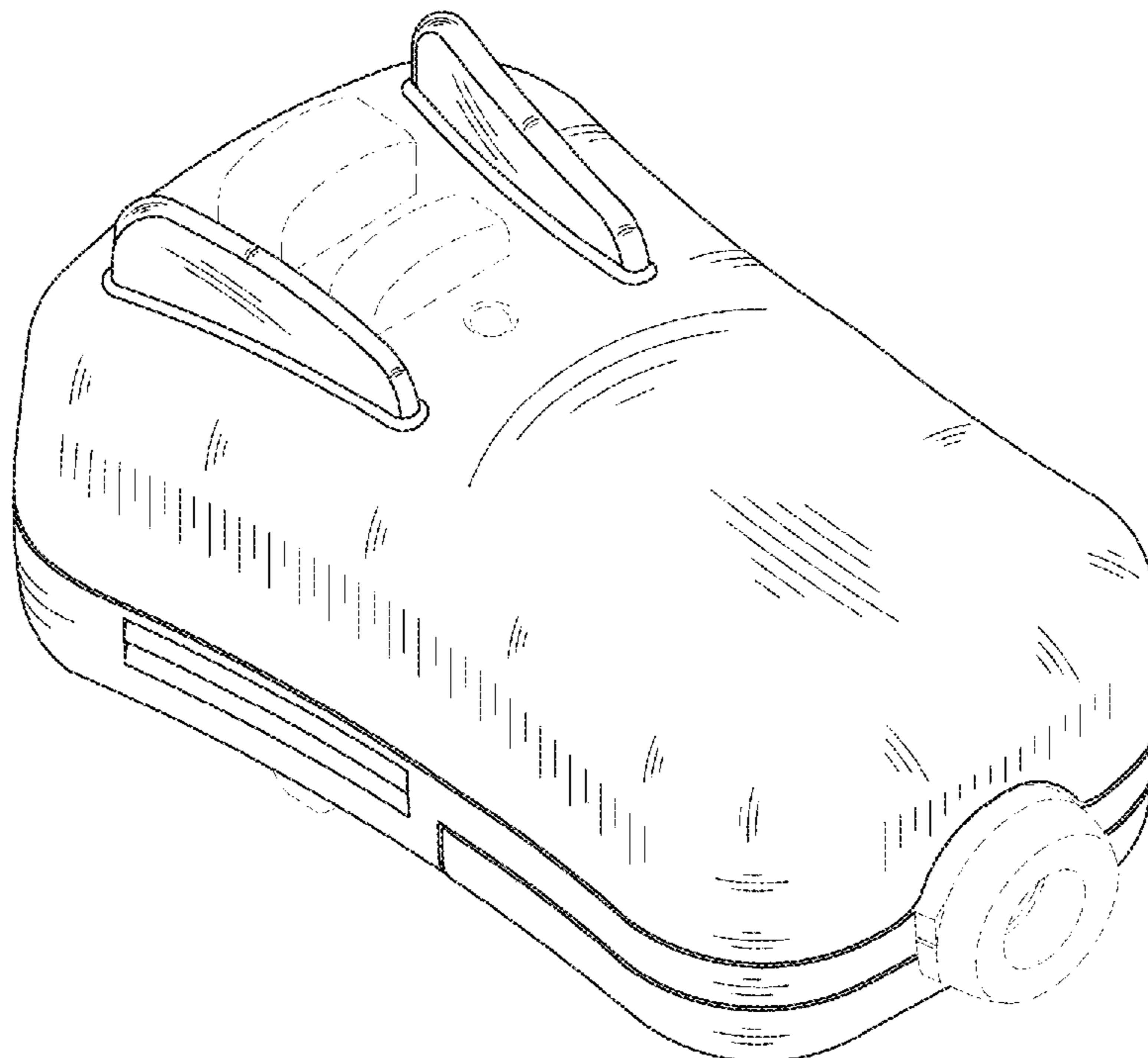
USPC D13/110, 118, 123, 133, 137.1, 138.1, D13/138.2, 139.1, 139.4, 139.7, 154, D13/158-161, 173, 178, 184, 199, 139.6

CPC H01R 13/46; H01R 13/62; H01R 13/71; H01R 25/00; H01R 27/00; H01R 29/00; H01R 31/02; H01R 31/06; H01R 11/00; H01R 3/00; H01R 3/16; H01R 13/00; H01R 4/34; H01R 9/24; H01R 13/06;

FIG. 1 is a top perspective view of the arc fault circuit interrupter of our new design;
FIG. 2 is a rear view thereof;
FIG. 3 is a bottom view thereof;
FIG. 4 is a right side view thereof;
FIG. 5 is a left side view thereof;
FIG. 6 is a front end view thereof; and,
FIG. 7 is a top view thereof.

The broken lines in the drawings illustrate environment of the arc fault circuit interrupter that form no part of the claimed design.

1 Claim, 7 Drawing Sheets



(56)

References Cited

U.S. PATENT DOCUMENTS

D727,185	S *	4/2015	Aromin	D10/78
D742,831	S *	11/2015	Yu	D13/139.6
D765,041	S *	8/2016	Yu	D13/160
9,640,977	B2 *	5/2017	Li	H02H 3/33
D819,572	S *	6/2018	Ye	D13/138.2
D821,977	S *	7/2018	Ye	D13/138.2
D822,609	S *	7/2018	Aromin	D13/138.2
2006/0146456	A1 *	7/2006	Williams	H01H 83/02 361/42
2008/0094764	A1 *	4/2008	Zhang	H01R 13/665 361/42
2012/0052702	A1 *	3/2012	Zou	H01R 13/7135 439/95
2013/0100560	A1 *	4/2013	Zou	H01R 13/7135 361/42
2018/0166833	A1 *	6/2018	Nie	H01H 73/44
2018/0220541	A1 *	8/2018	Aromin	H02H 3/16
2018/0302997	A1 *	10/2018	Aromin	H01R 13/5202

* cited by examiner

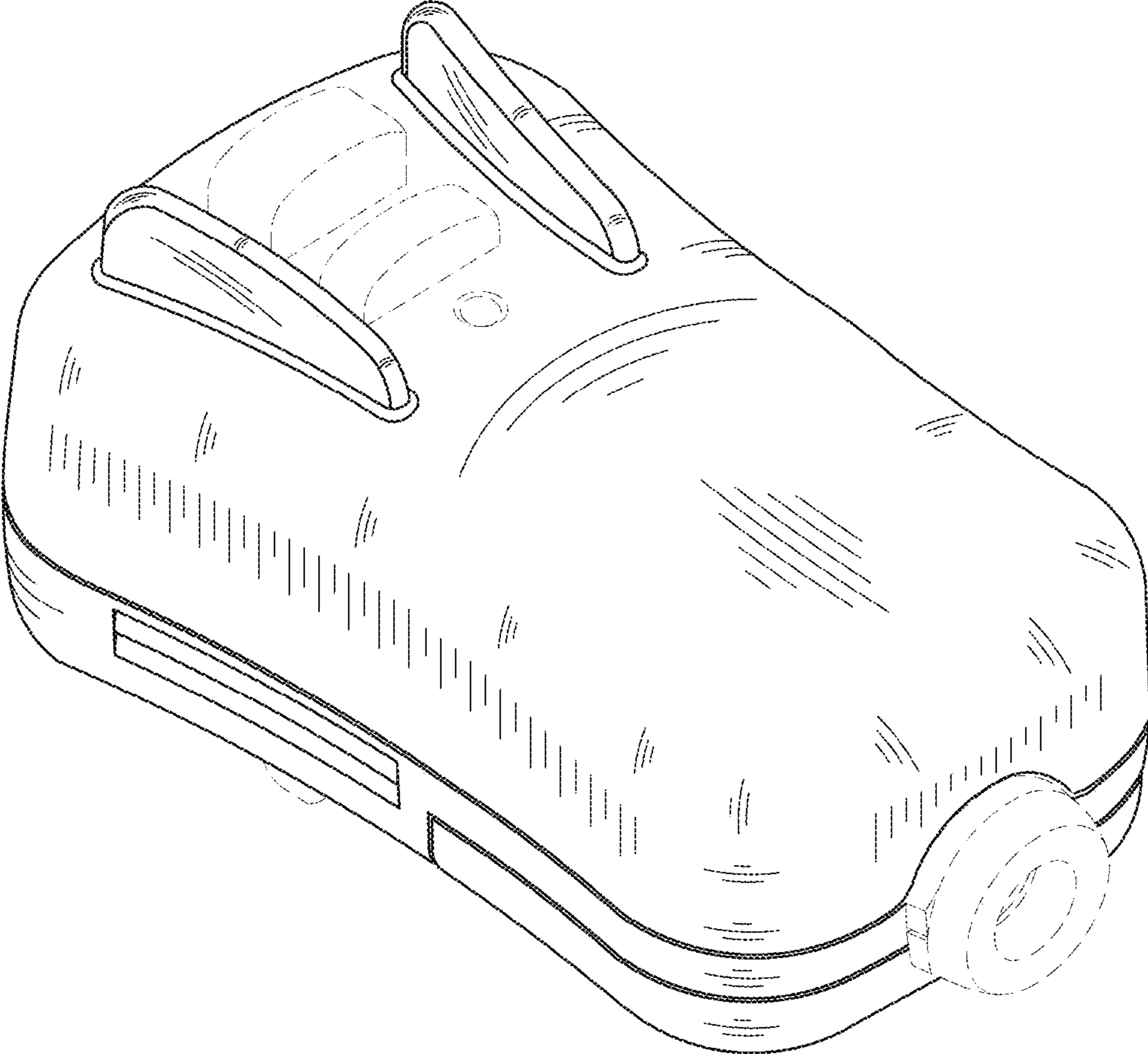


FIG. 1

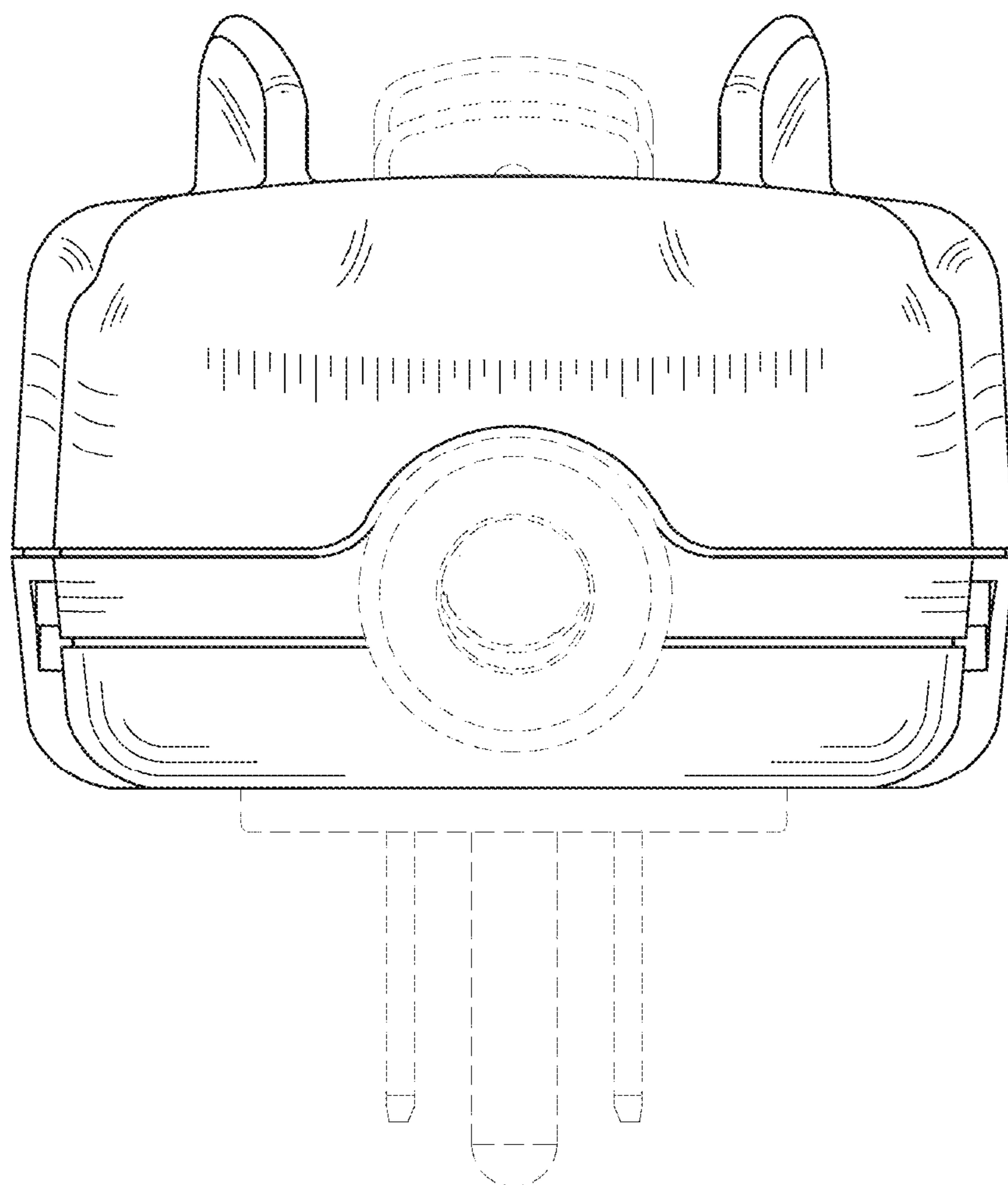


FIG. 2

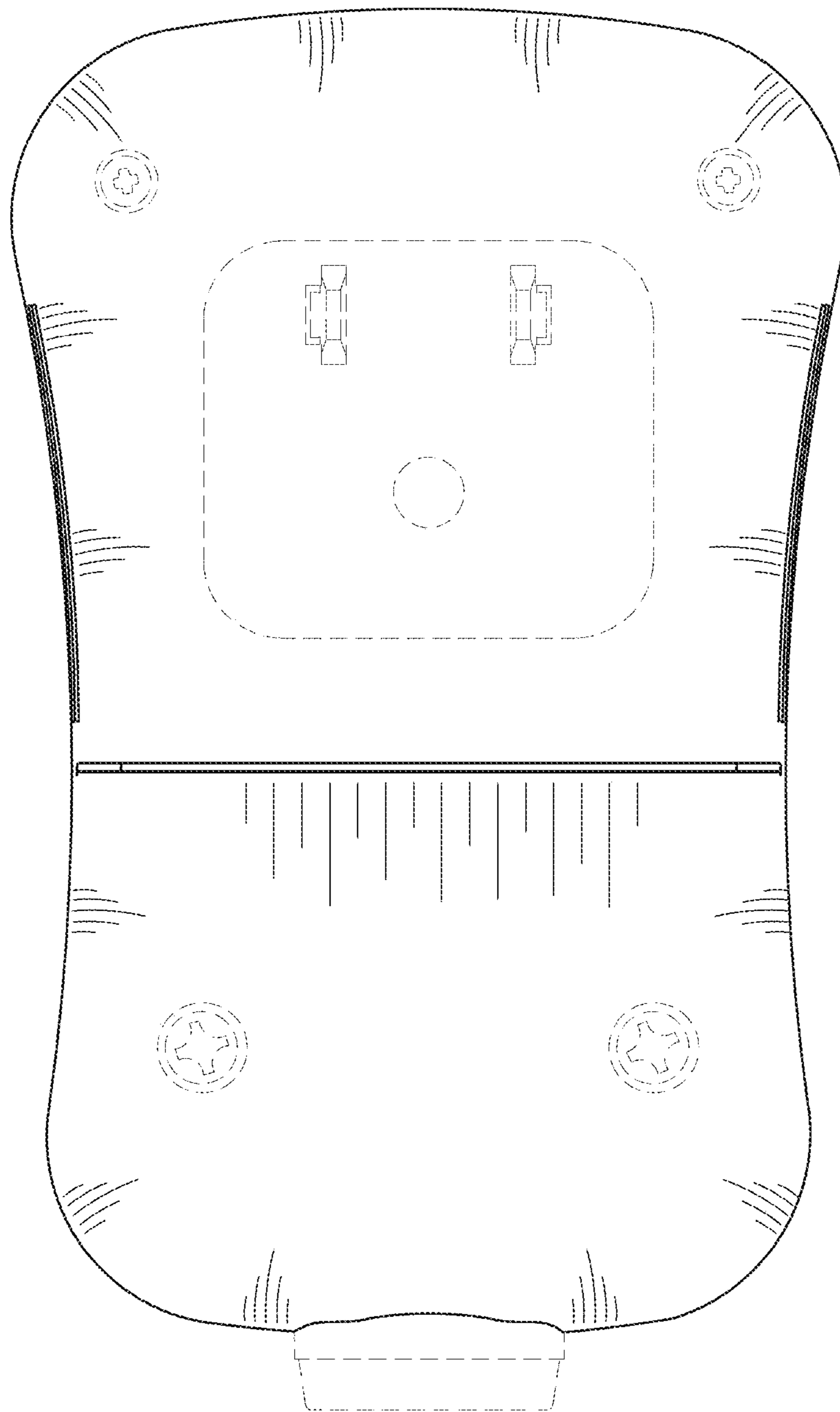


FIG. 3

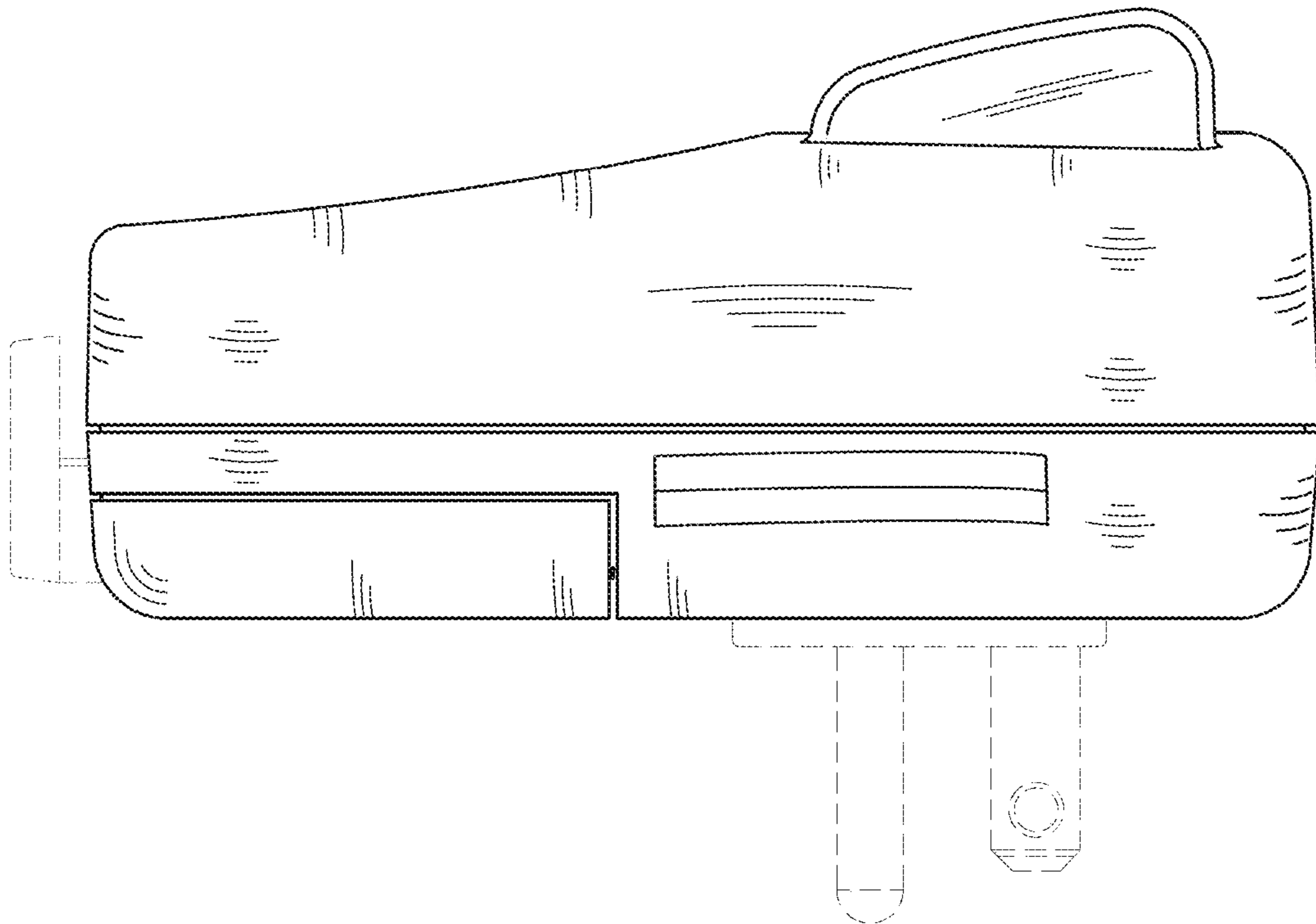


FIG. 4

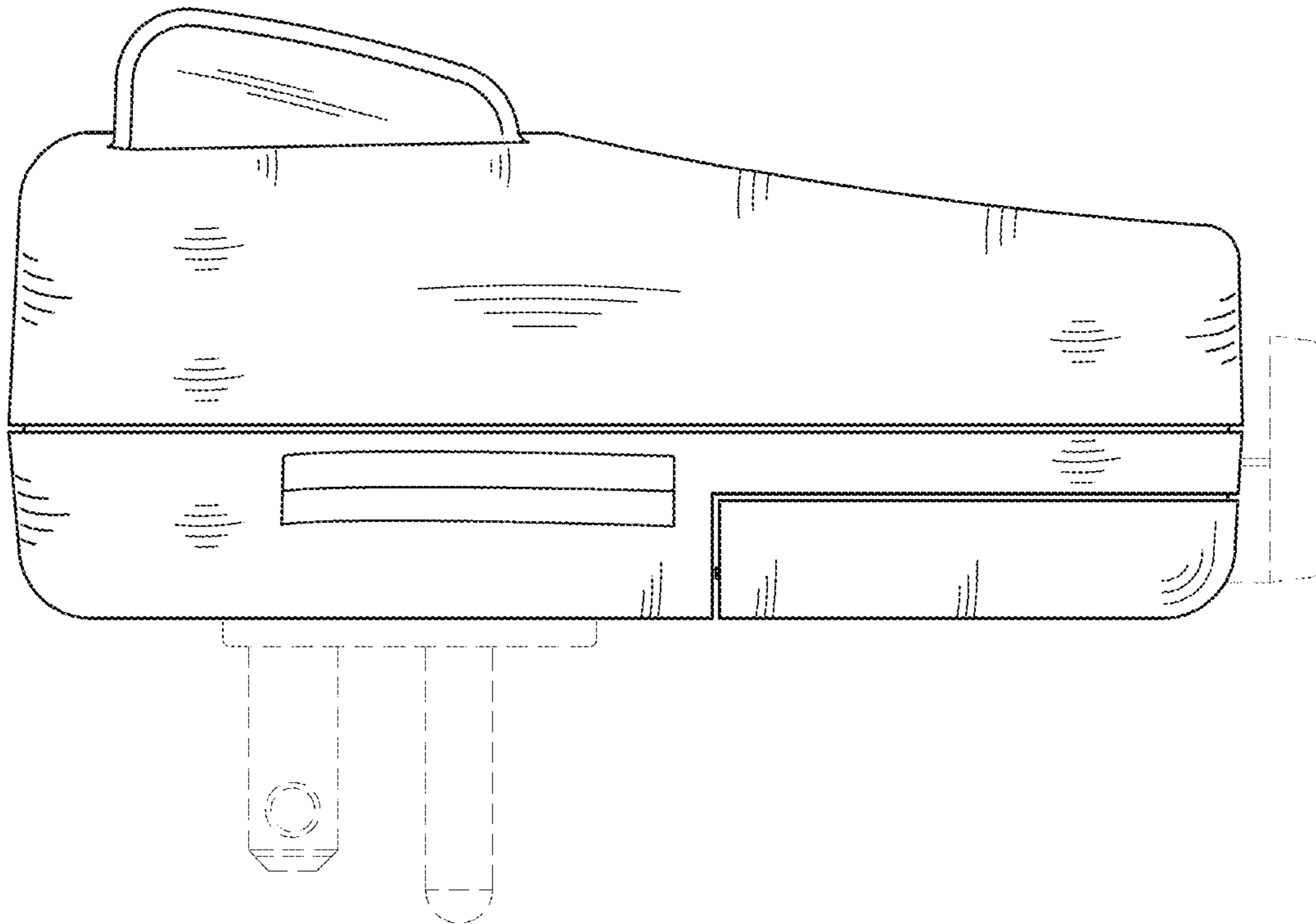


FIG. 5

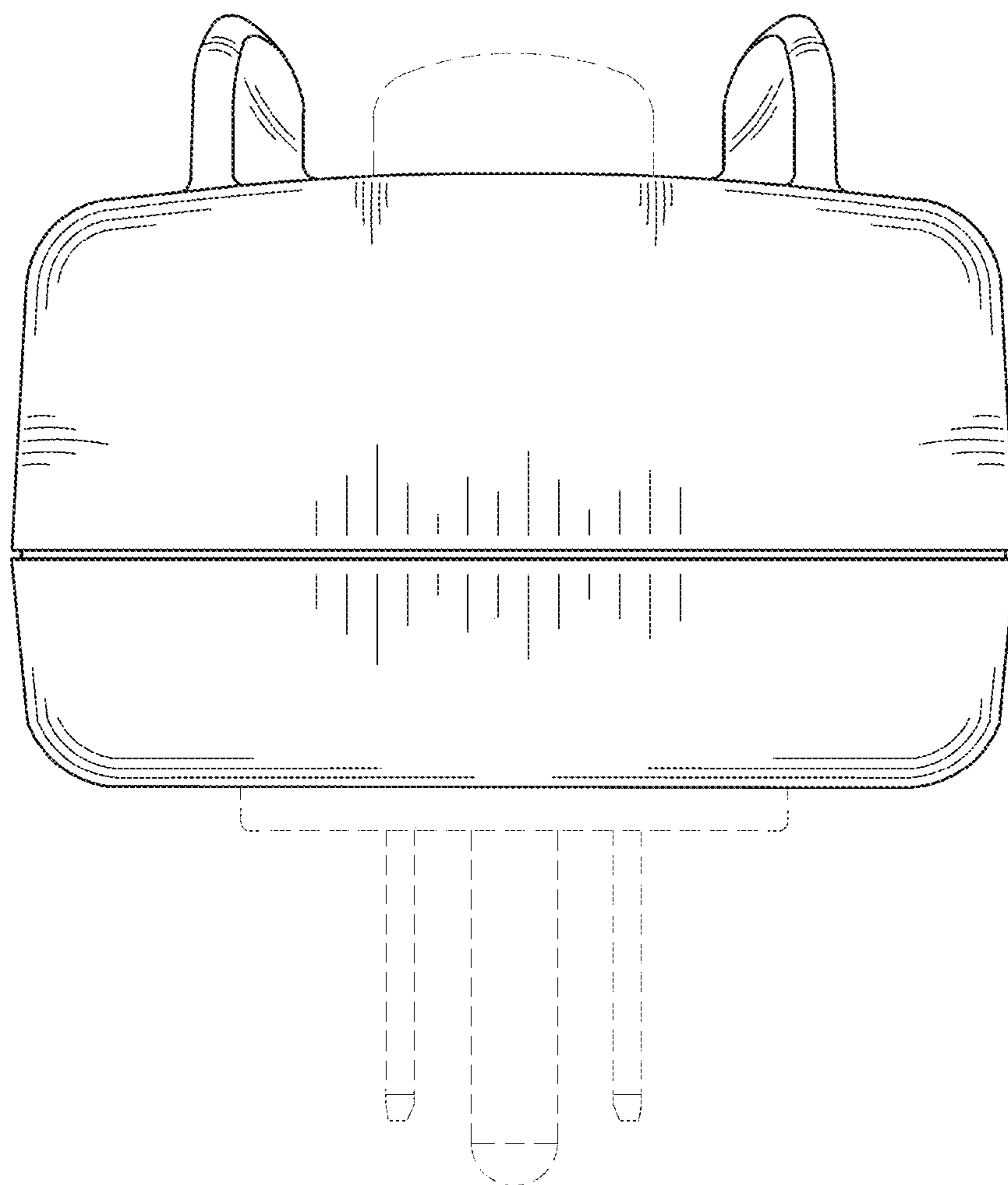


FIG. 6

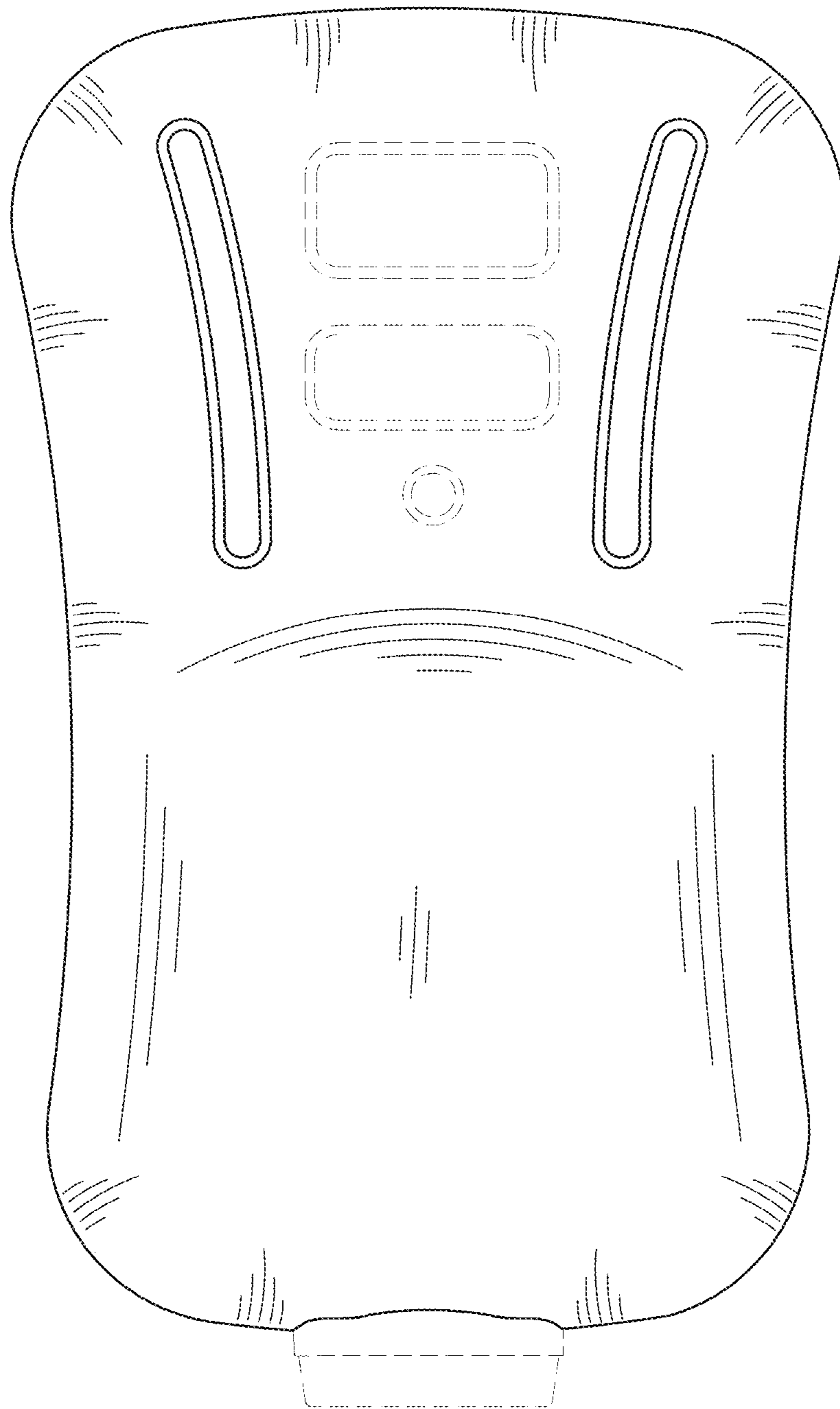


FIG. 7