



US00D872034S

(12) **United States Design Patent**  
**Taniguchi**

(10) **Patent No.:** **US D872,034 S**

(45) **Date of Patent:** **\*\* Jan. 7, 2020**

(54) **CABLE ACCESSORY**

(71) Applicant: **DREAMS INC.**, Shinjuku-ku, Tokyo (JP)

(72) Inventor: **Ayaka Taniguchi**, Tokyo (JP)

(73) Assignee: **DREAMS INC.**, Tokyo (JP)

(\*\*) Term: **15 Years**

(21) Appl. No.: **29/654,313**

(22) Filed: **Jun. 22, 2018**

(51) **LOC (12) Cl.** ..... **13-03**

(52) **U.S. Cl.**  
USPC ..... **D13/154**

(58) **Field of Classification Search**  
USPC ..... D13/154, 156, 155, 133, 153  
CPC ..... H02G 3/14; H02G 3/081; H02G 11/02;  
H05K 5/0217; H01R 13/447; B65H  
2701/34  
See application file for complete search history.

(56) **References Cited**

**U.S. PATENT DOCUMENTS**

D585,836 S *	2/2009	Lee	.....	D13/154
D586,759 S *	2/2009	Victor	.....	D13/156
D639,243 S *	6/2011	Gharib	.....	D13/133
D643,371 S *	8/2011	Svelnis	.....	D13/154
D679,662 S *	4/2013	Svelnis	.....	D13/133

D684,122 S *	6/2013	Strater	.....	D13/153
D702,187 S *	4/2014	Caballero	.....	D13/133
D740,233 S *	10/2015	Johnson	.....	D13/156
D758,320 S *	6/2016	Prince	.....	D13/155
D762,588 S *	8/2016	Chin	.....	D13/155
D778,841 S *	2/2017	Seever	.....	D13/155
D793,956 S *	8/2017	Huang	.....	D13/108
D826,178 S *	8/2018	Ridl	.....	D13/154

\* cited by examiner

*Primary Examiner* — Bridget L Eland

(74) *Attorney, Agent, or Firm* — Oliff PLC

(57) **CLAIM**

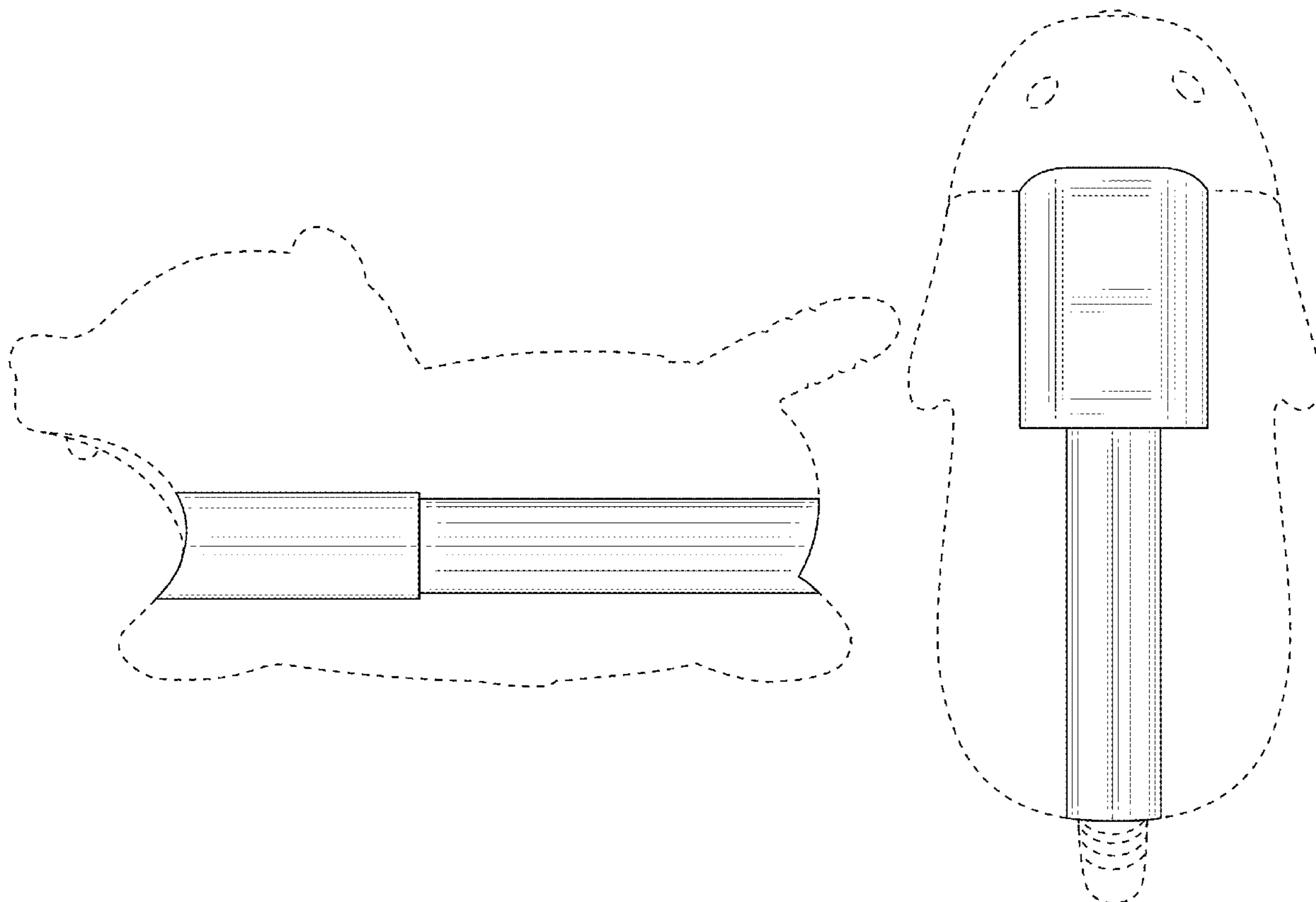
The ornamental design for a cable accessory, as shown and described.

**DESCRIPTION**

FIG. 1 is a front, perspective view of a cable accessory;  
FIG. 2 is a front view thereof;  
FIG. 3 is a rear view thereof;  
FIG. 4 is a bottom view thereof;  
FIG. 5 is a cross-sectional view taken in the direction of 5-5 in FIG. 4; and,  
FIG. 6 is a cross-sectional view taken in the direction of 6-6 in FIG. 2.

The broken lines depict unclaimed portions of the cable accessory and form no part of the claimed design.

**1 Claim, 5 Drawing Sheets**



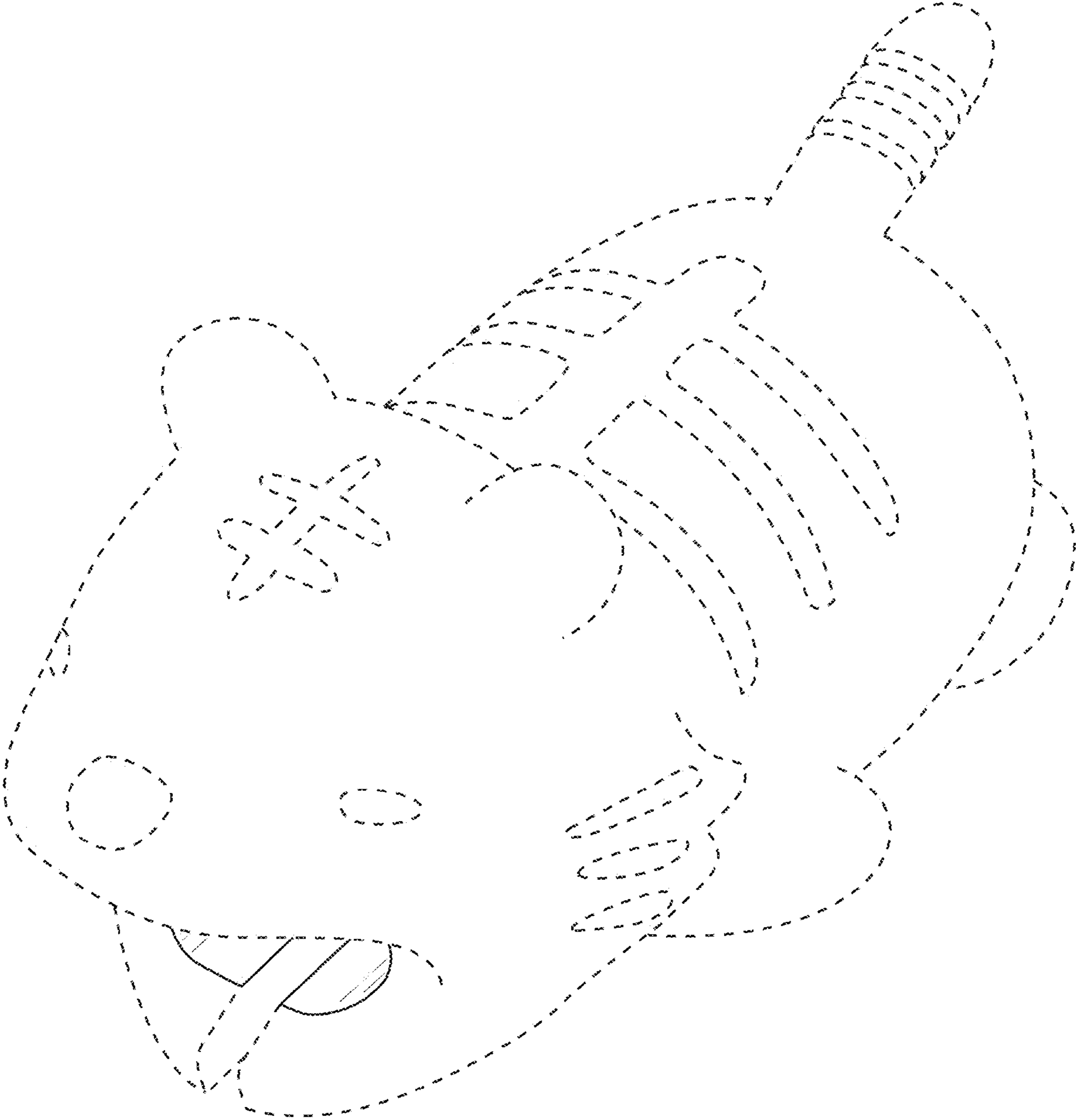


FIG. 1

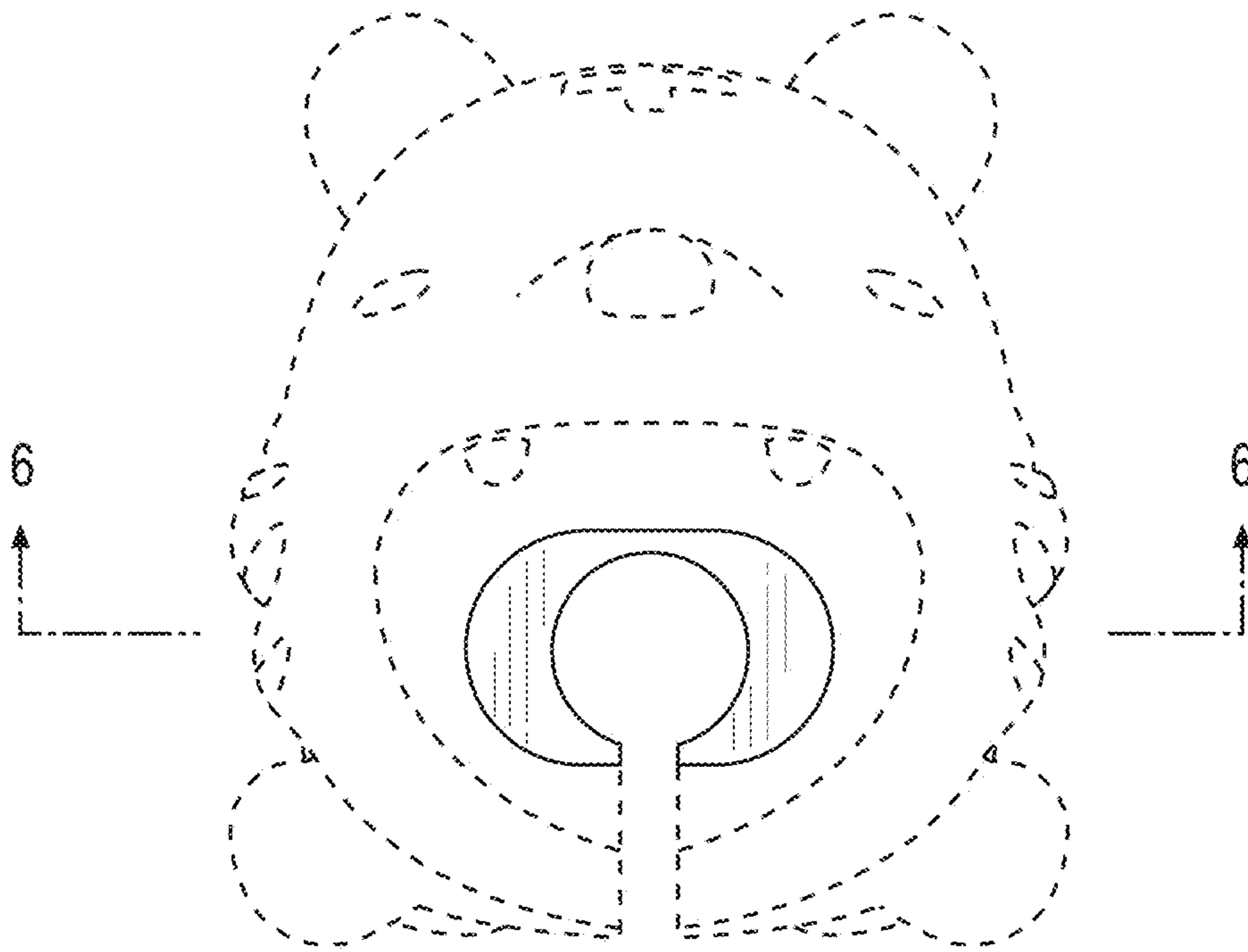


FIG. 2

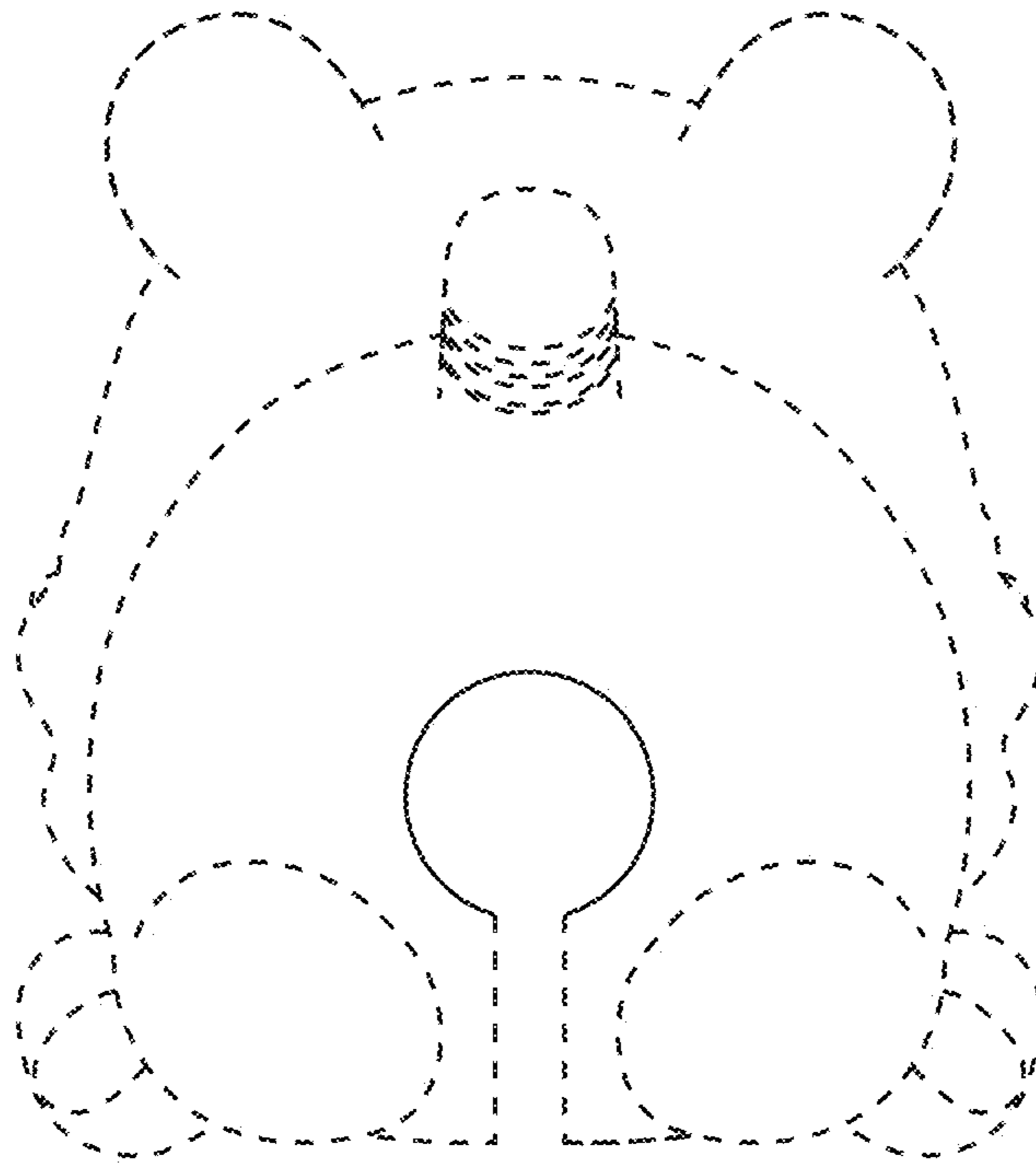


FIG. 3

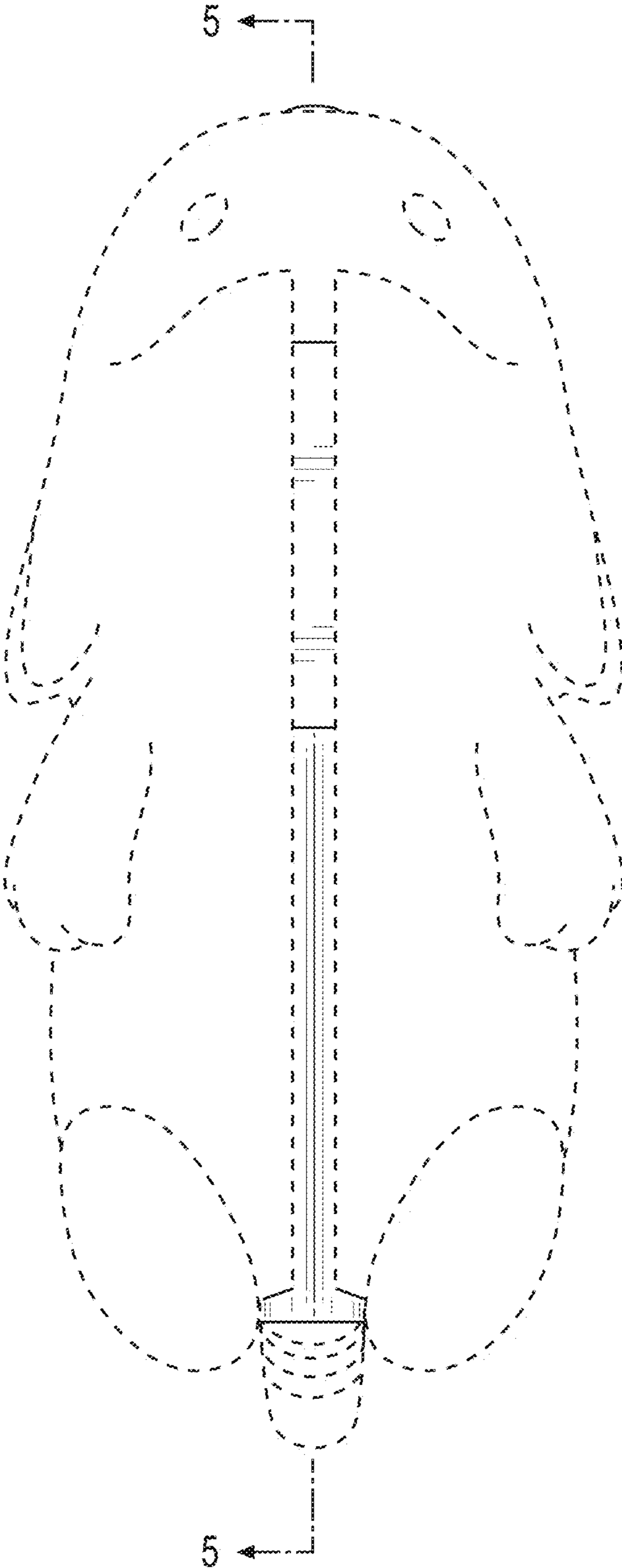


FIG. 4

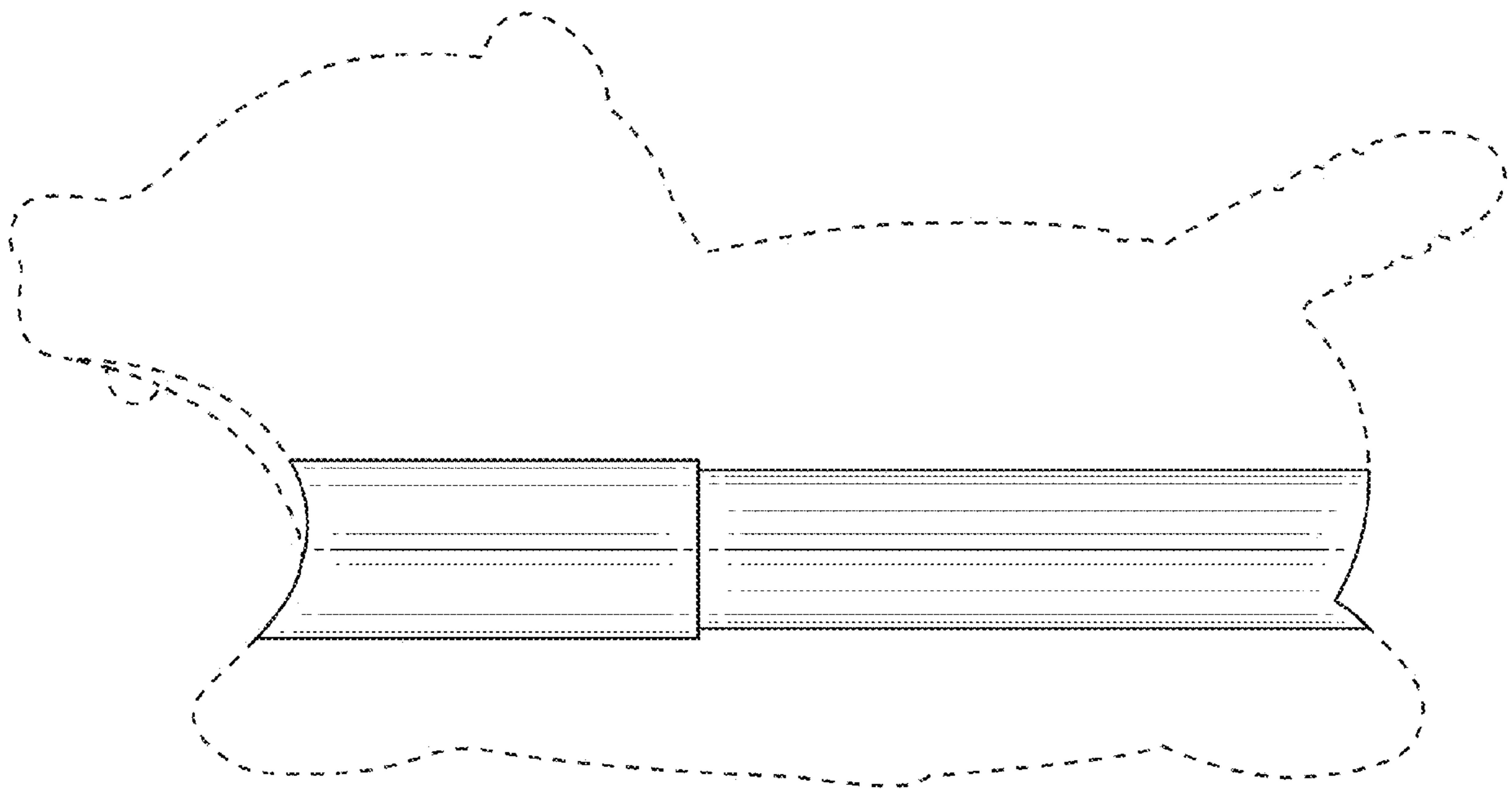


FIG. 5

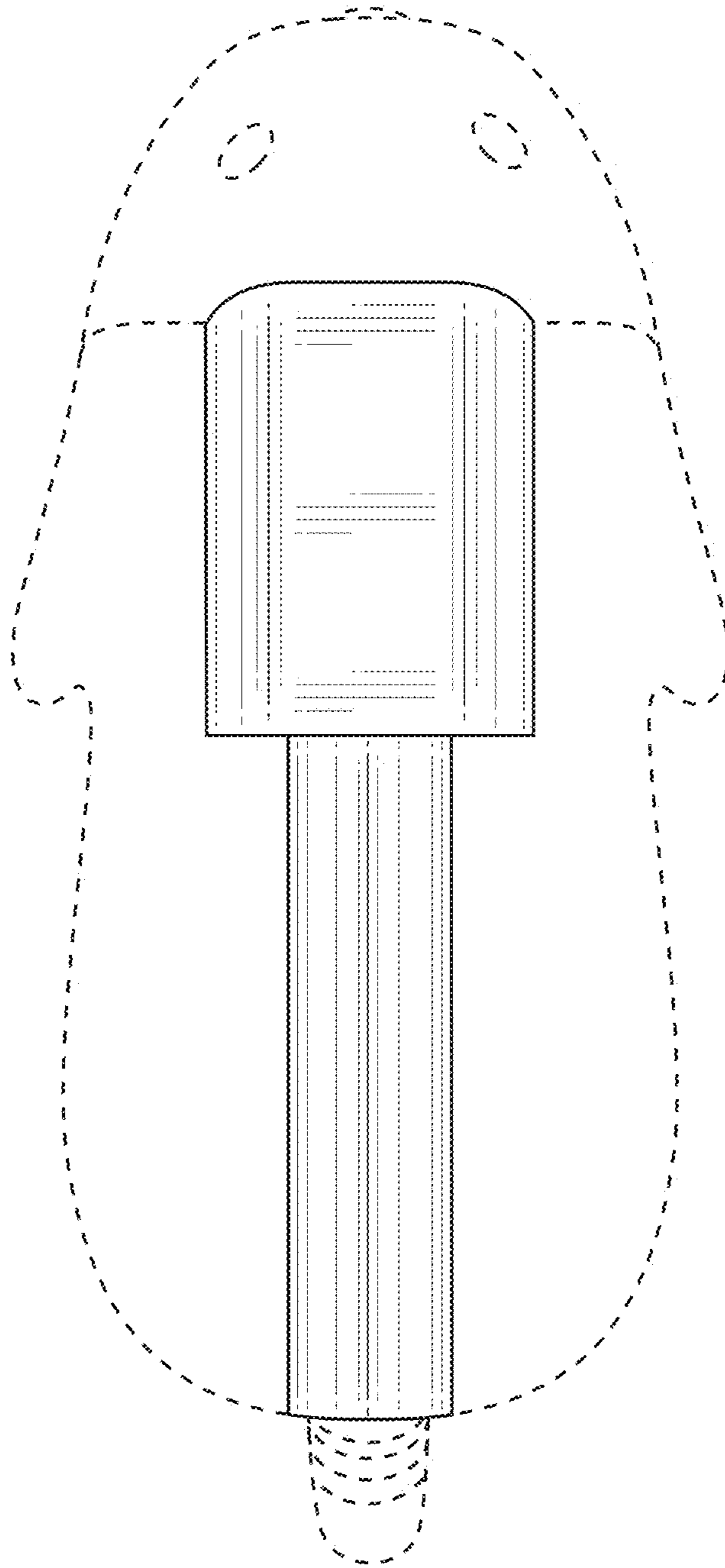


FIG. 6