



US00D872028S

(12) **United States Design Patent**
Eshelman et al.

(10) **Patent No.:** **US D872,028 S**

(45) **Date of Patent:** **** Jan. 7, 2020**

(54) **POWER CORD END WITH COVERED RECEPTACLES**

(71) Applicant: **360 Electrical, L.L.C.**, Salt Lake City, UT (US)

(72) Inventors: **Brandon Eshelman**, Salt Lake City, UT (US); **Cameron Bigler**, Lehi, UT (US); **Adam Boushley**, Midvale, UT (US)

(73) Assignee: **360 Electrical, L.L.C.**, Salt Lake City, UT (US)

(**) Term: **15 Years**

(21) Appl. No.: **29/668,061**

(22) Filed: **Oct. 26, 2018**

(51) **LOC (12) Cl.** **13-03**

(52) **U.S. Cl.**
USPC **D13/139.7**

(58) **Field of Classification Search**
USPC D13/103, 107, 108, 110, 118, 119, 123, D13/133, 137.1–137.4, 138.1–138.2, D13/139.1–139.8, 152–154, 184, 199
CPC H01R 25/00; H01R 25/006; H01R 13/00; H01R 13/04; H01R 13/10; H01R 13/6666; H01R 13/6675; H01R 9/00; H01R 11/00; H01H 2207/00; H01H 2207/022; H01H 2203/00; H02J 7/00; H02J 7/0003; H02J 7/0011; H02J 7/0013; H02J 7/0054; H02J 7/0055; H02J 7/0057; H01M 2/02; H01M 2/022; H01M 2/0202; H01M 2/0207; H01M 2/0212; H01M 2220/10; H01M 2220/20; Y02E 60/12; Y02E 60/122; Y02E 60/124; Y02E 60/50
See application file for complete search history.

(56) **References Cited**

U.S. PATENT DOCUMENTS

D409,980 S *	5/1999	Byrne	D13/137.1
D443,590 S *	6/2001	Vende	D13/137.4
D469,403 S *	1/2003	Nieto	D13/137.2
D481,009 S *	10/2003	Stekelenburg	D13/137.4
D481,357 S *	10/2003	Stekelenburg	D13/139.8
D482,326 S *	11/2003	Stekelenburg	D13/137.4
D705,730 S *	5/2014	Kretzschmar	D13/110
D726,651 S *	4/2015	Lin	D13/110
D736,710 S *	8/2015	Lin	D13/137.2
D739,355 S *	9/2015	D'Aubeterre	D13/139.8
D775,589 S *	1/2017	Soffer	D13/139.1
D777,674 S *	1/2017	Mininger	D13/139.7
D796,442 S *	9/2017	Xu	D13/139.6
D807,831 S *	1/2018	Xu	D13/139.8
D844,566 S *	4/2019	Yu	D13/139.7
D845,902 S *	4/2019	Xu	D13/137.4

(Continued)

Primary Examiner — Rosemary K Tarcza

Assistant Examiner — Christy M Nemeth

(74) *Attorney, Agent, or Firm* — Lauff Law PLLC

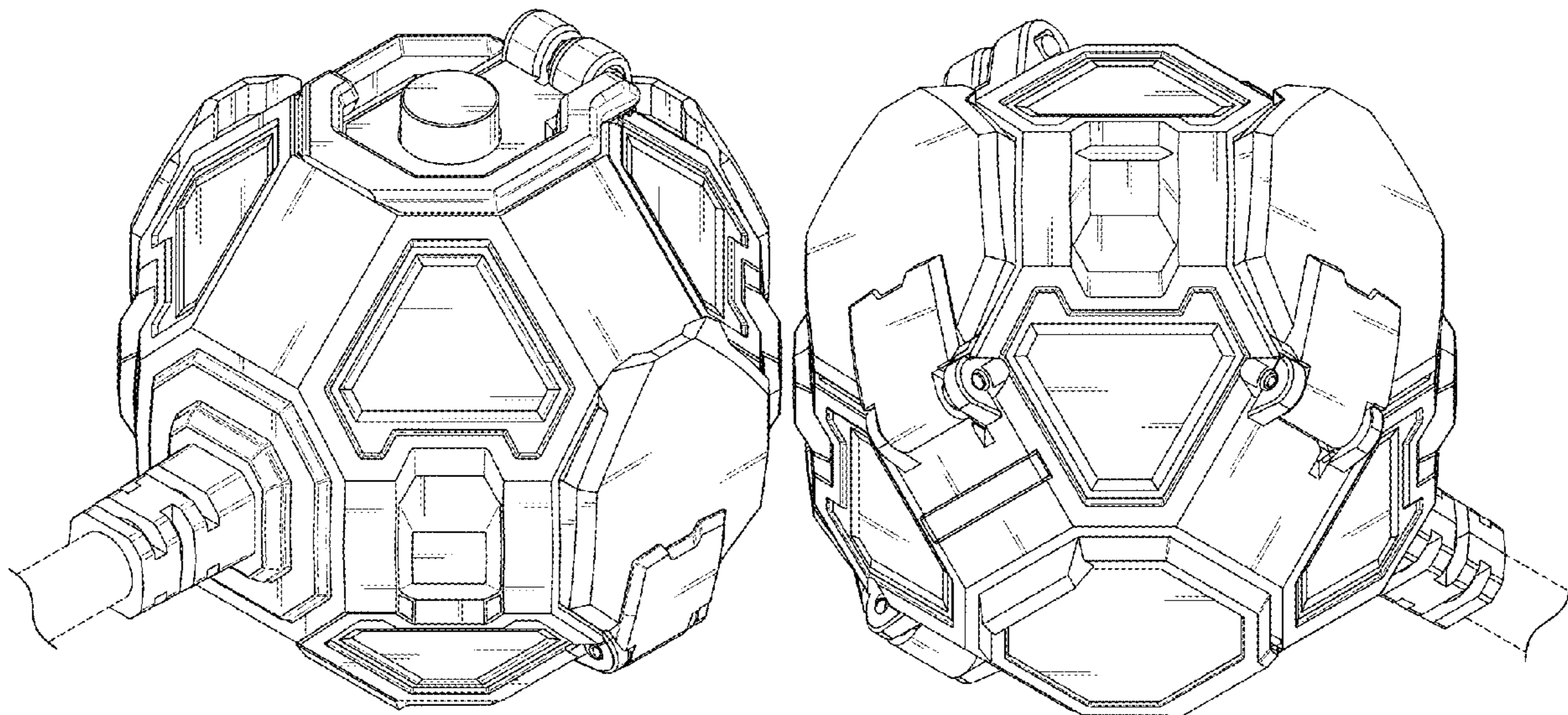
(57) **CLAIM**

The ornamental design for a power cord end with covered receptacles, substantially as shown and described.

DESCRIPTION

FIG. 1 is a right front upper perspective view of the power cord end with covered receptacles;
FIG. 2 is a right rear lower perspective view thereof;
FIG. 3 is a front elevation view thereof;
FIG. 4 is a rear elevation view thereof;
FIG. 5 is an upper plan view thereof;
FIG. 6 is a lower plan view thereof;
FIG. 7 is a right elevation view thereof; and,
FIG. 8 is a left elevation view thereof.
The broken lines in the drawings are for the purpose of illustrating portions of the power cord end with covered receptacles that form no part of the claimed design.

1 Claim, 4 Drawing Sheets



(56)

References Cited

U.S. PATENT DOCUMENTS

D851,598 S * 6/2019 Liang D13/139.7
10,367,317 B1 * 7/2019 Rahner H01R 27/02

* cited by examiner

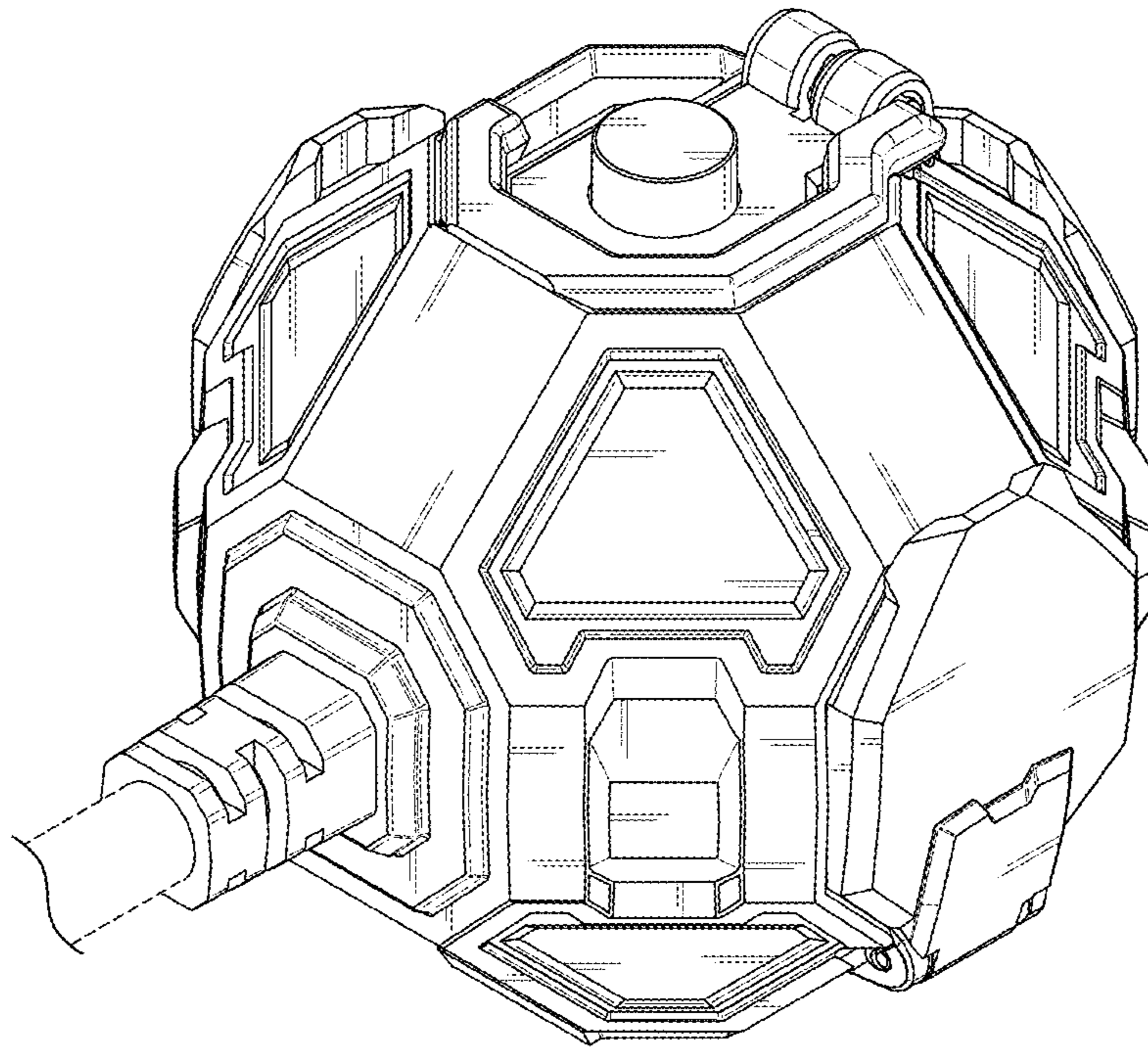


FIG. 1

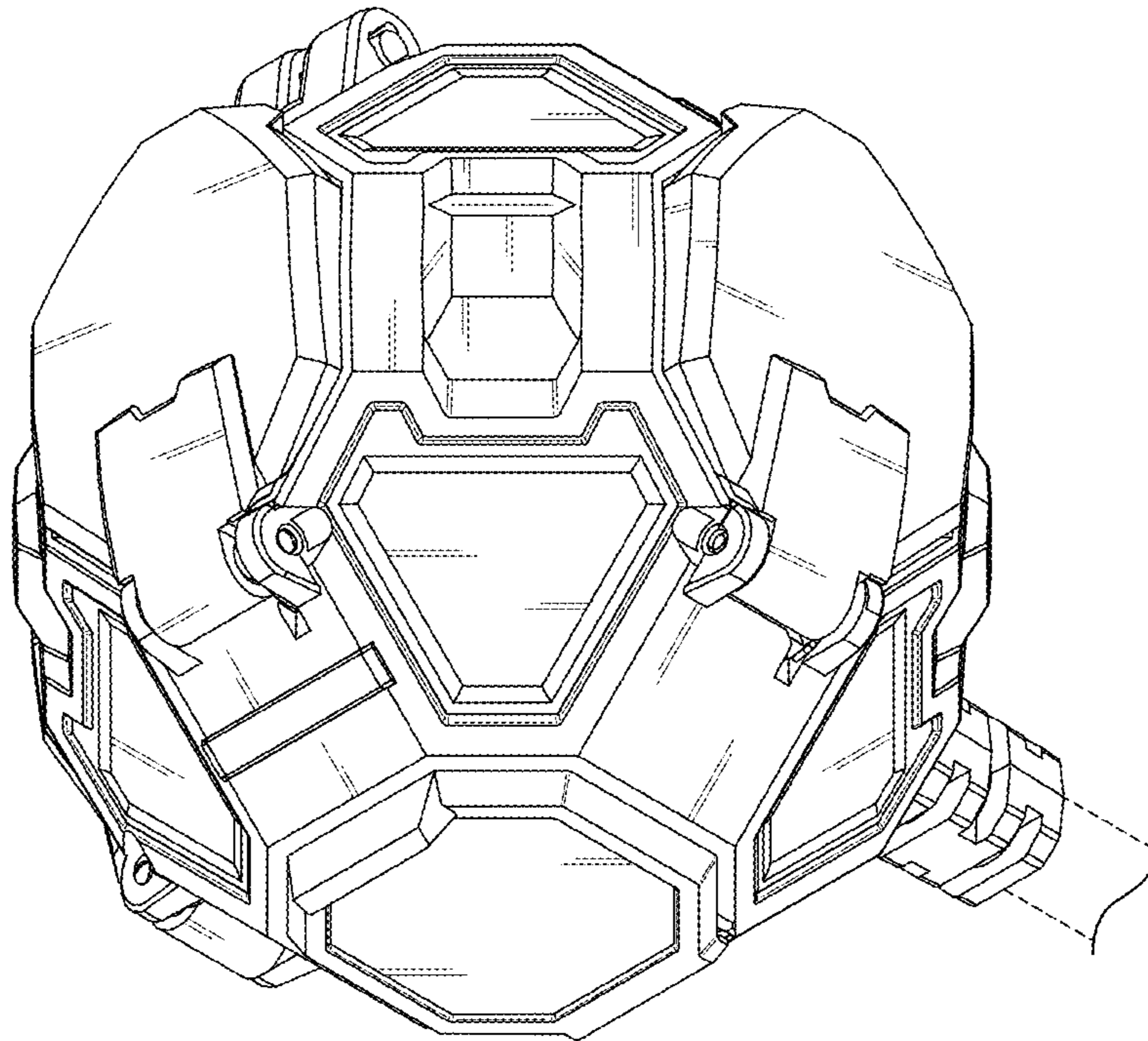


FIG. 2

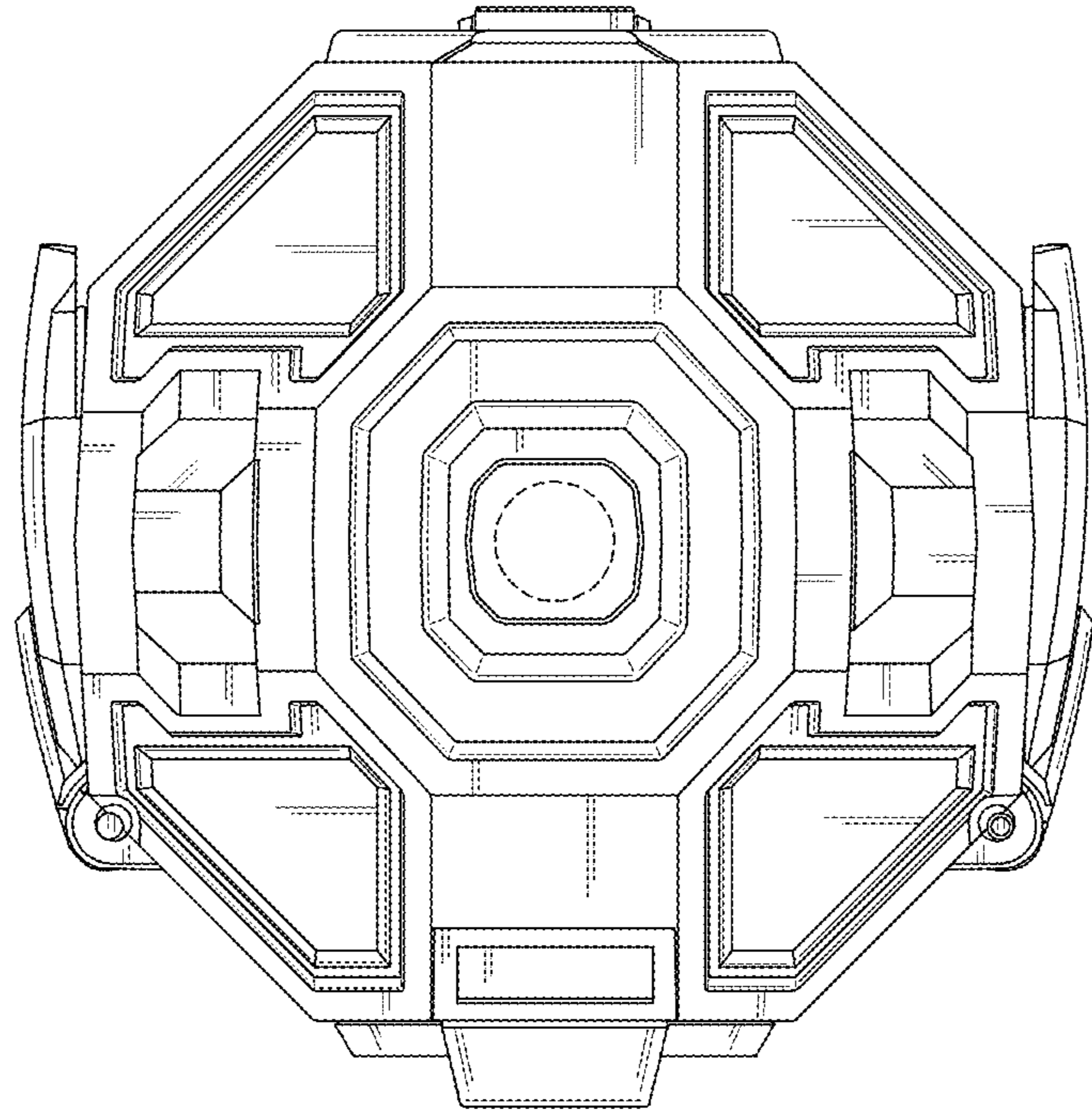


FIG. 3

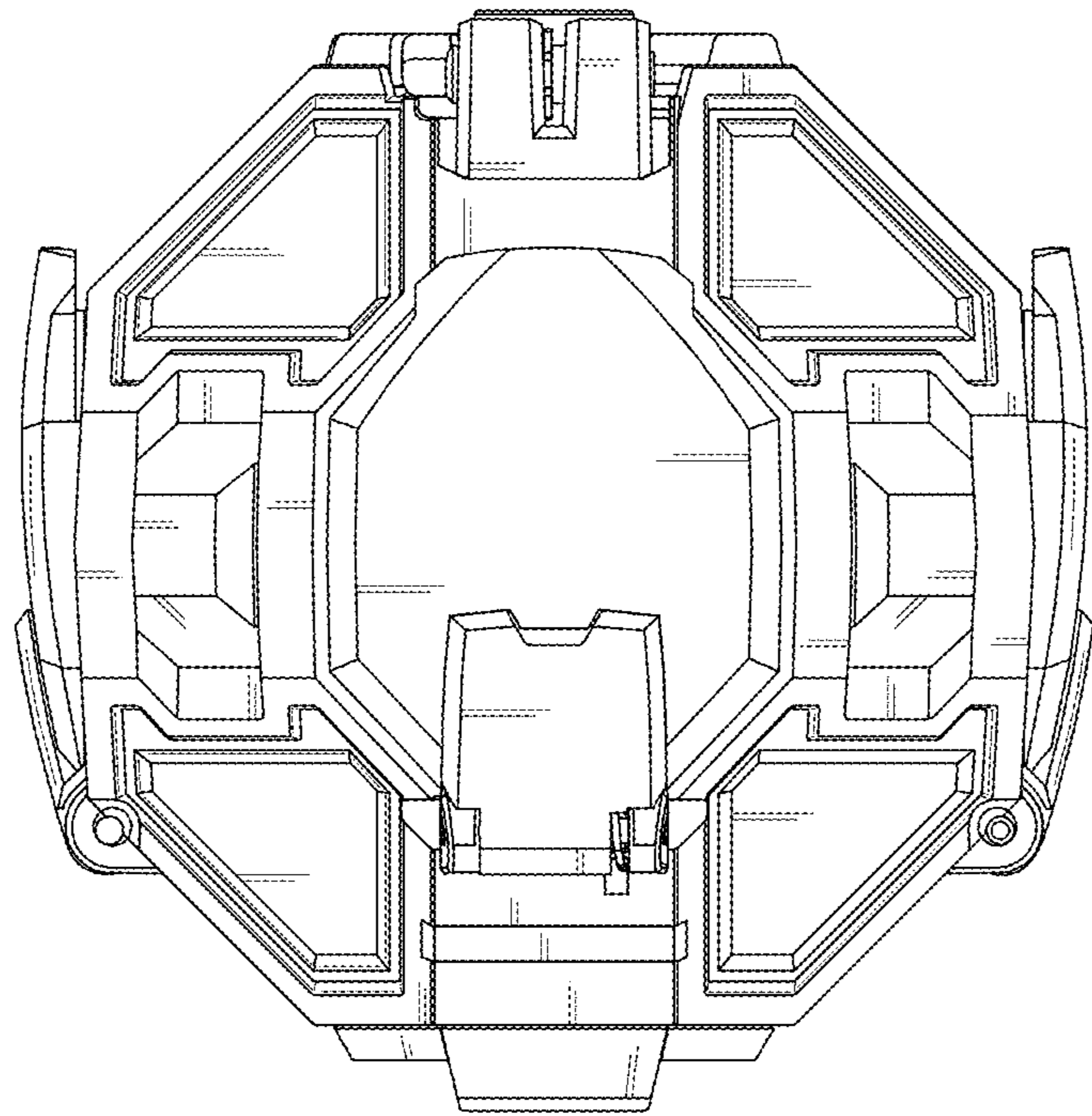


FIG. 4

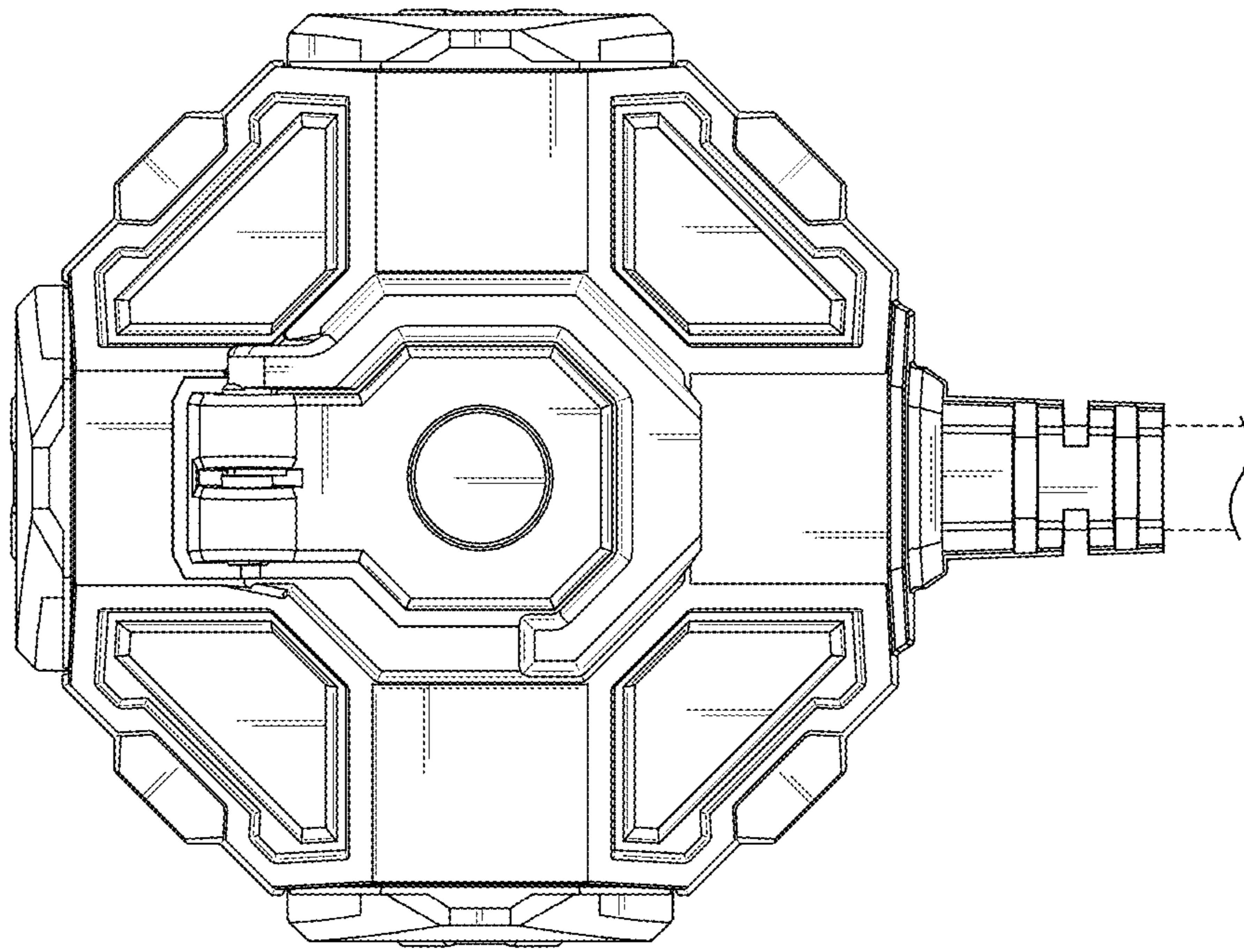


FIG. 5

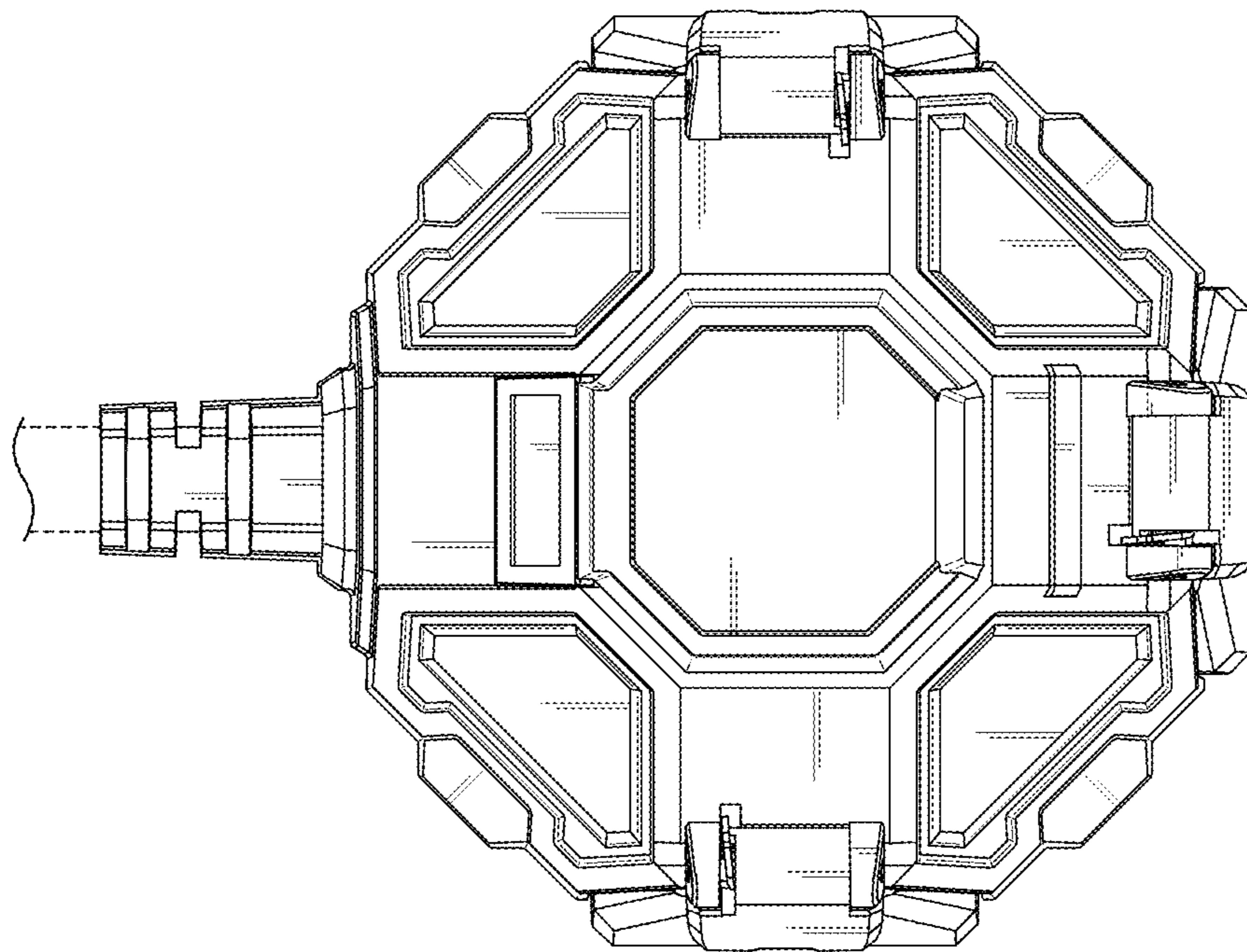


FIG. 6

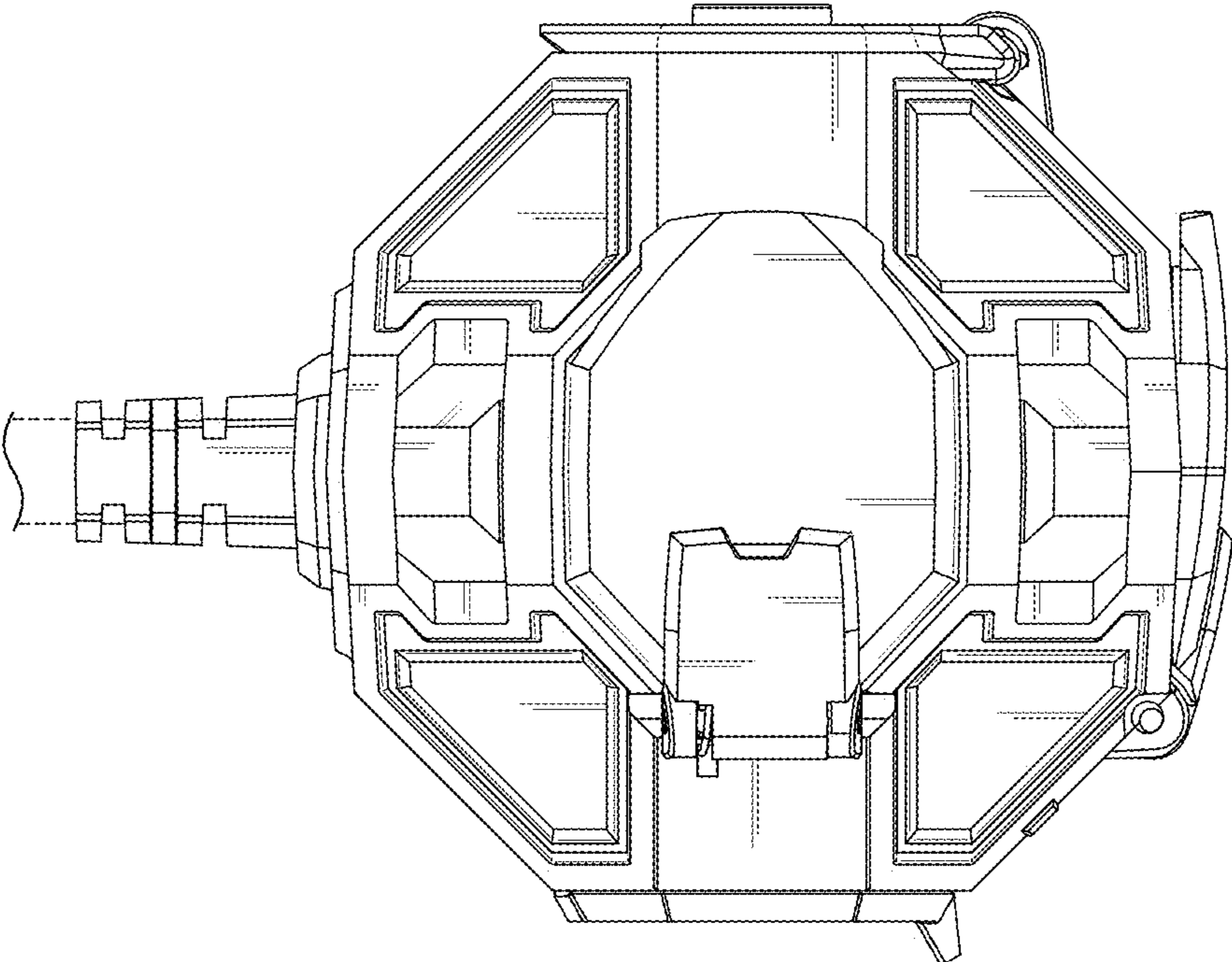


FIG. 7

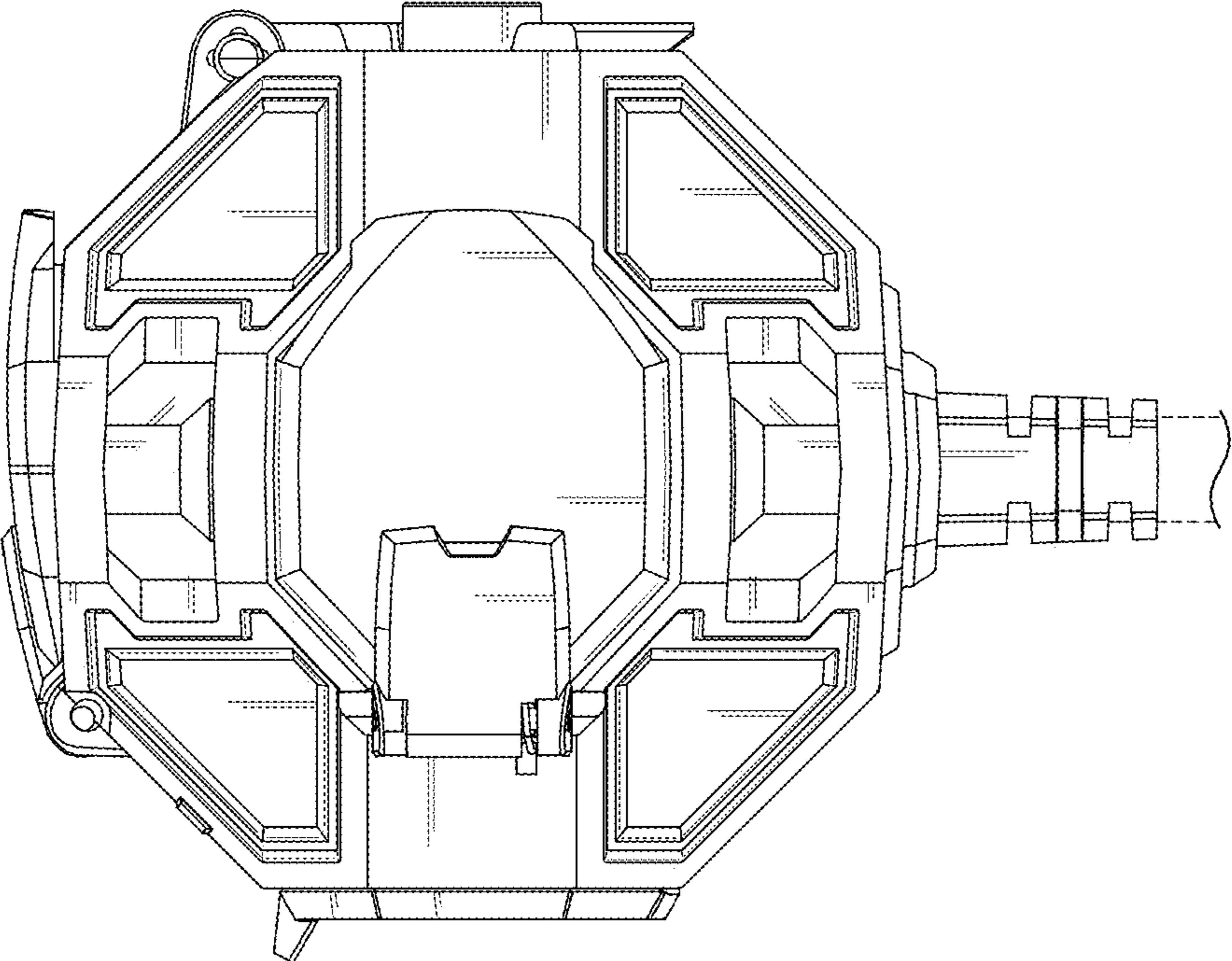


FIG. 8