



US00D872027S

(12) **United States Design Patent**  
**Lien et al.**

(10) **Patent No.:** **US D872,027 S**  
(45) **Date of Patent:** **\*\* Jan. 7, 2020**

(54) **POWER STRIP**

(71) Applicant: **Black & Decker Inc.**, New Britain, CT (US)

(72) Inventors: **Liu Chao Lien**, Taichung (TW);  
**Connor T. Riegel**, Dearborn Heights, MI (US); **Jonathan O. Spence**, Lombard, IL (US)

(73) Assignee: **BLACK & DECKER INC.**, New Britain, CT (US)

(\*\*) Term: **15 Years**

(21) Appl. No.: **29/631,805**

(22) Filed: **Jan. 3, 2018**

(51) **LOC (12) Cl.** ..... **13-03**

(52) **U.S. Cl.**  
USPC ..... **D13/139.6**

(58) **Field of Classification Search**  
USPC ..... D13/107, 108, 110, 123, 133,  
D13/137.1–137.4, 138.1–138.2,  
D13/139.1–139.8, 147, 152–154, 158,  
D13/160, 139.1–139.8; D14/433;  
D8/356  
CPC .. H01R 25/00; H01R 25/006; H01R 13/6675;  
H01R 13/10; H01R 13/44; H01R 13/66;  
H01R 13/652; H01R 31/00; H01R  
31/065; H01R 11/00; H01R 9/00; H01H  
2207/00; H01H 2207/022; H05K 5/00  
See application file for complete search history.

(56) **References Cited**

U.S. PATENT DOCUMENTS

D443,591 S \* 6/2001 Tong ..... D13/139.8  
D473,190 S \* 4/2003 Fan ..... D13/139.8

D508,231 S \* 8/2005 Loftus ..... D13/139.1  
D517,484 S \* 3/2006 Wakefield ..... D13/139.8  
7,083,421 B1 \* 8/2006 Mori ..... H01R 13/46  
439/574  
D554,064 S \* 10/2007 Ng ..... D13/139.8  
7,663,866 B2 \* 2/2010 Lee ..... H01R 13/652  
307/117  
D642,982 S \* 8/2011 Shi ..... D13/139.1  
D644,180 S \* 8/2011 Lee ..... D13/139.8  
D696,188 S \* 12/2013 Loeck ..... D13/108

\* cited by examiner

*Primary Examiner* — Rosemary K Tarcza

*Assistant Examiner* — Christy M Nemeth

(74) *Attorney, Agent, or Firm* — Adan Ayala

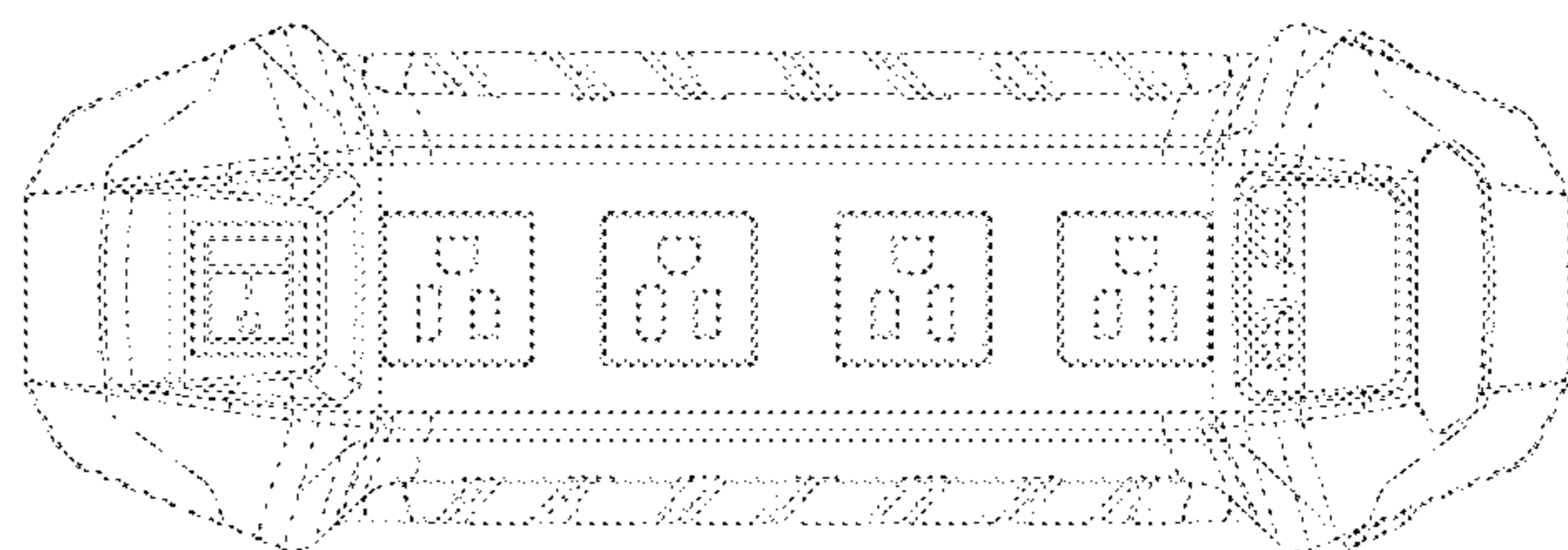
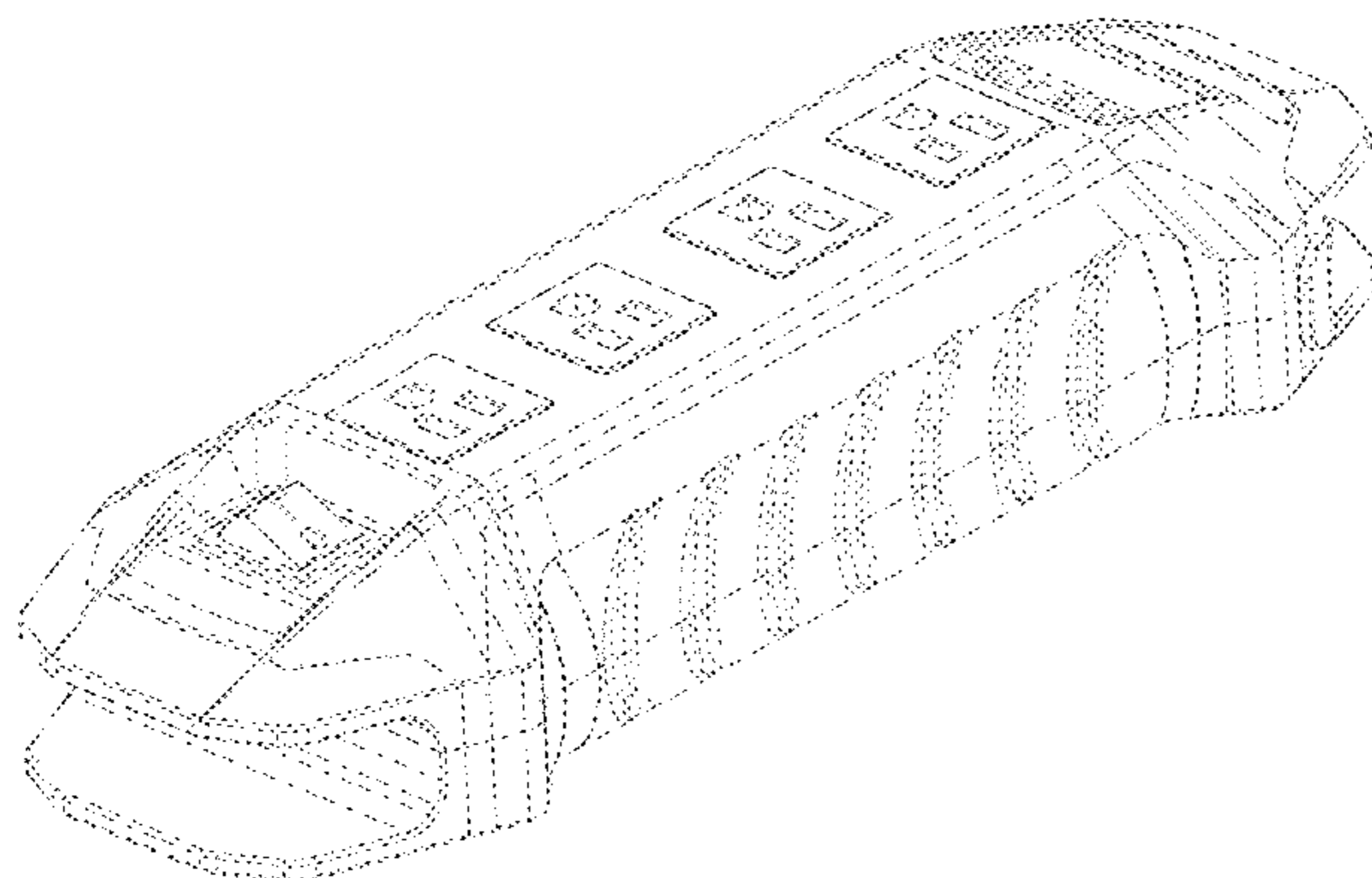
(57) **CLAIM**

The ornamental design for a power strip, as shown and described.

**DESCRIPTION**

FIG. 1 is a front-top-right perspective view of a power strip according to the invention.  
FIG. 2 is a front view of the power strip of FIG. 1.  
FIG. 3 is a rear view of the power strip of FIG. 1.  
FIG. 4 is a left side view of the power strip of FIG. 1.  
FIG. 5 is a right side view of the power strip of FIG. 1.  
FIG. 6 is a top plan view of the power strip of FIG. 1; and, FIG. 7 is a bottom plan view of the power strip of FIG. 1. The broken lines in the drawings are for the purpose of illustrating portions of the power strip that form no part of the claimed design.

**1 Claim, 7 Drawing Sheets**



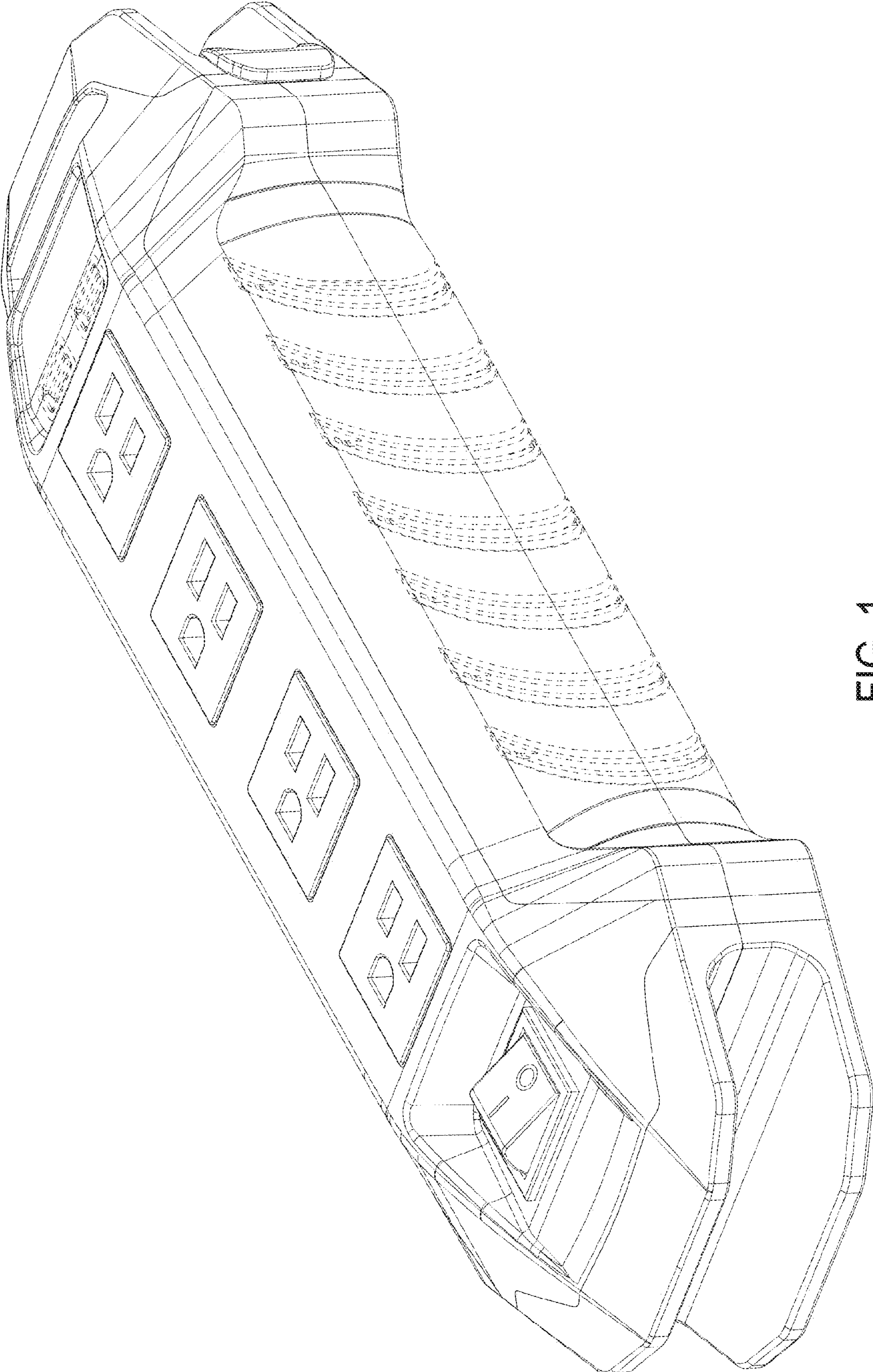


FIG. 1

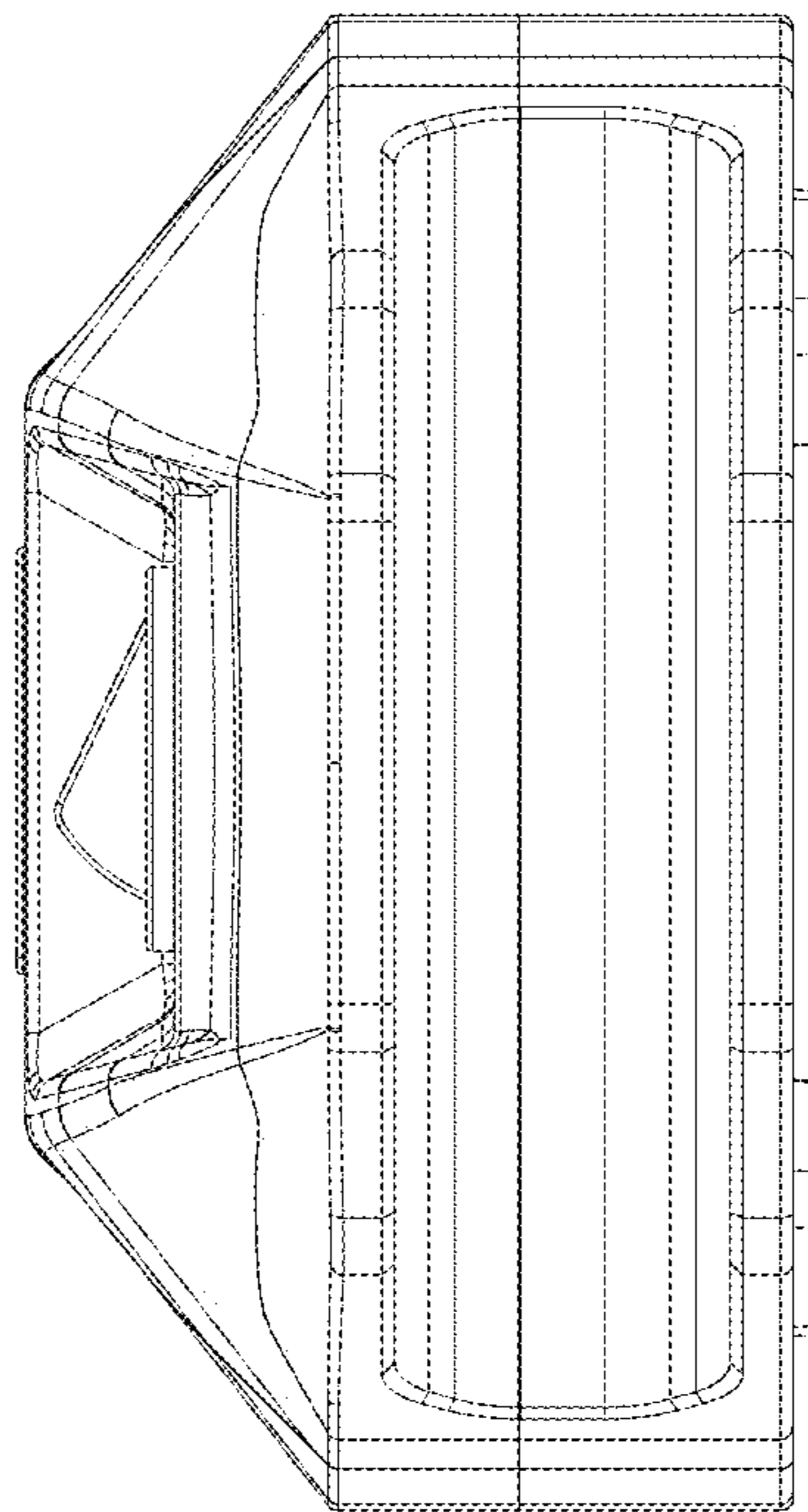


FIG. 2

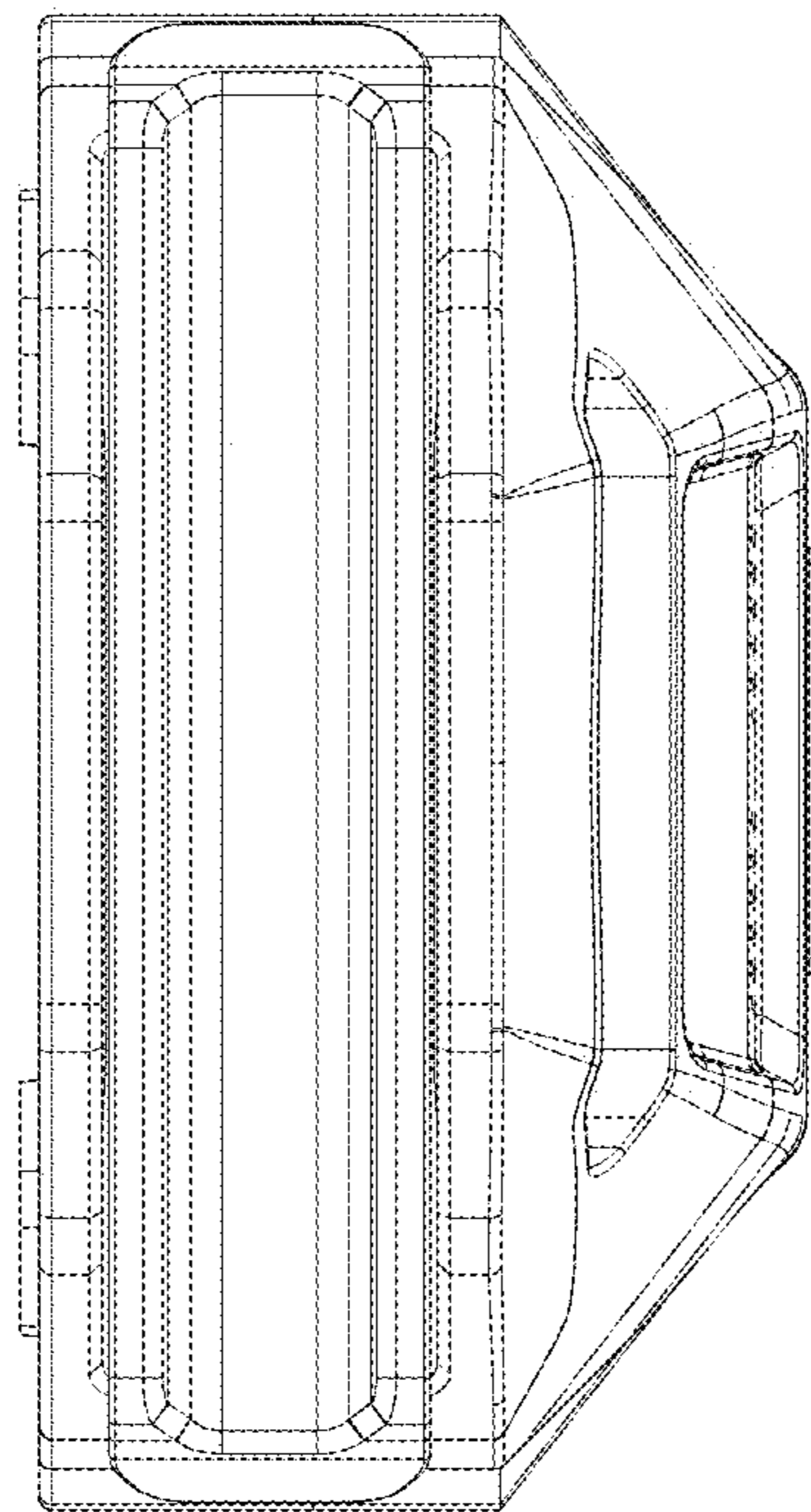


FIG. 3

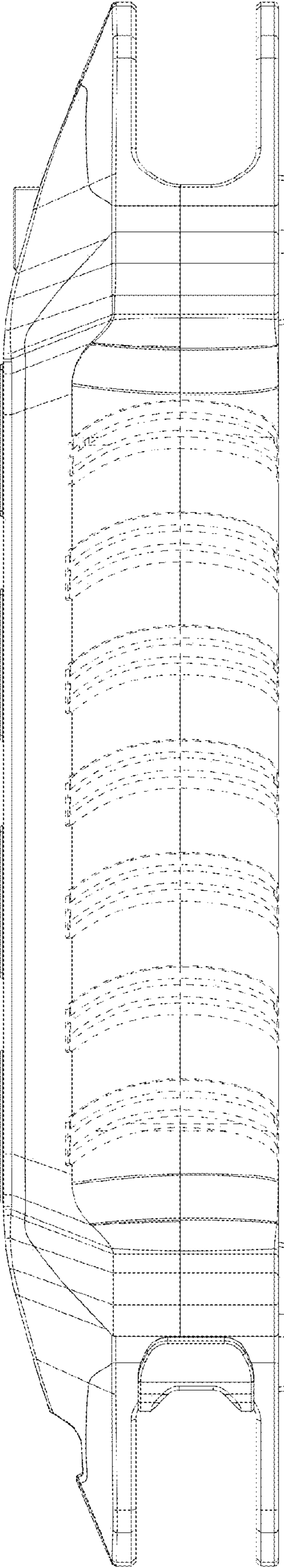


FIG. 4

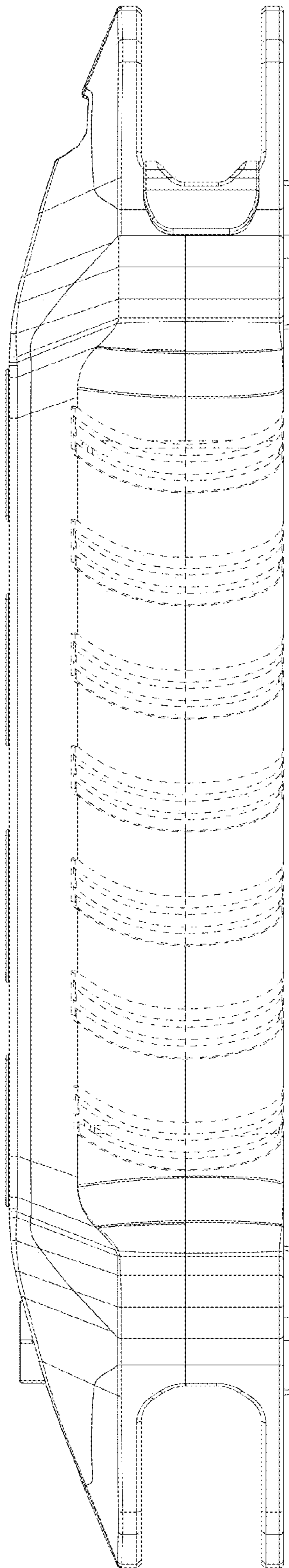


FIG. 5

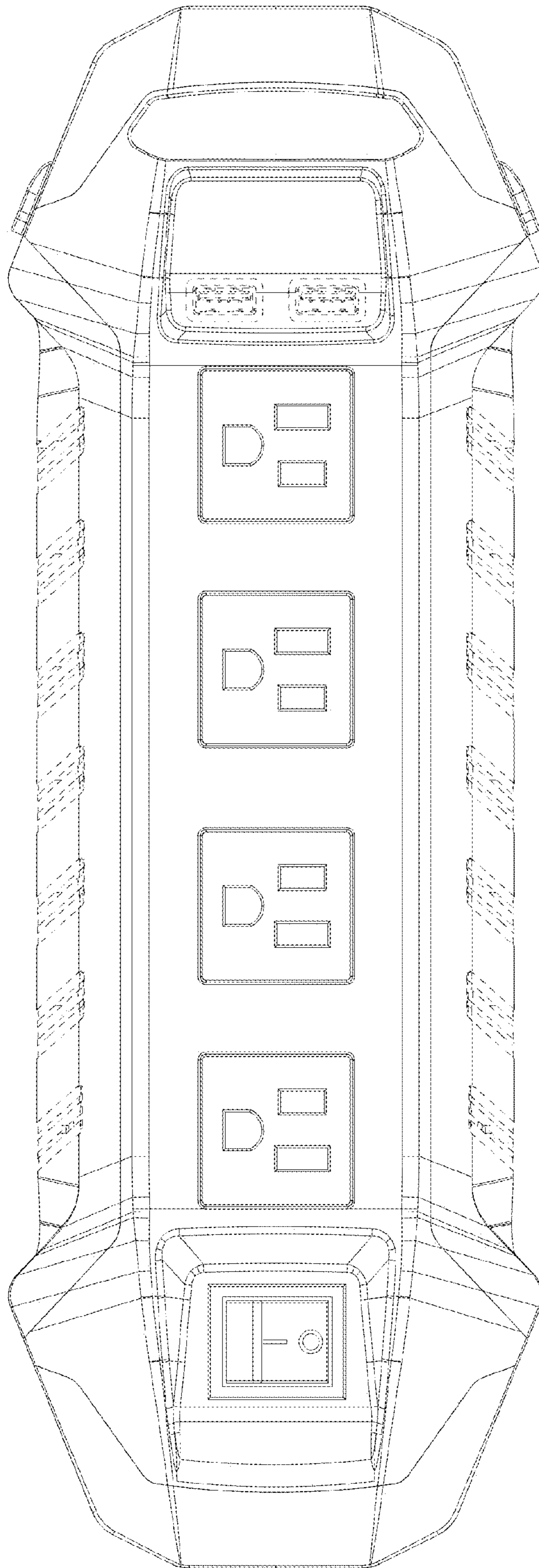


FIG. 6

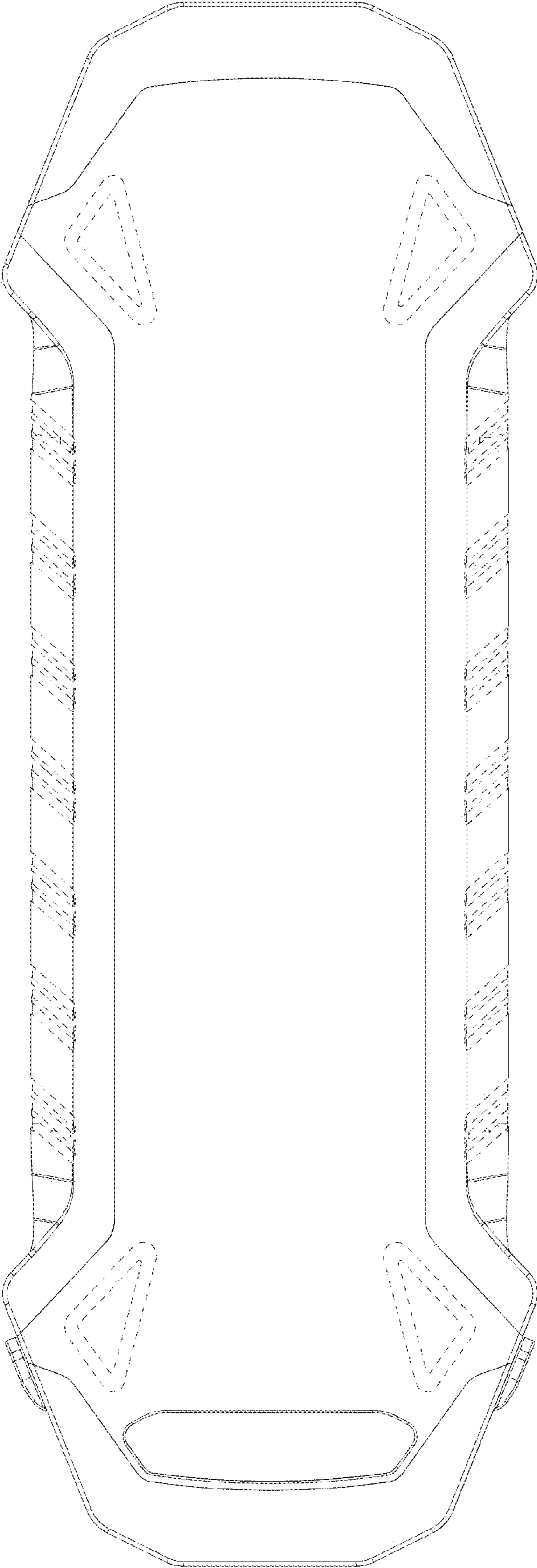


FIG. 7