



US00D872026S

(12) **United States Design Patent**
Eshelman et al.

(10) **Patent No.:** **US D872,026 S**
(45) **Date of Patent:** **** Jan. 7, 2020**

(54) **INTERACTIVE DEVICE HOLDER**

(71) Applicant: **360 Electrical, L.L.C.**, Salt Lake City, UT (US)

(72) Inventors: **Brandon Eshelman**, Salt Lake City, UT (US); **Cameron Bigler**, Lehi, UT (US); **Adam Boushley**, Midvale, UT (US)

(73) Assignee: **360 Electrical, L.L.C.**, Salt Lake City, UT (US)

(**) Term: **15 Years**

(21) Appl. No.: **29/666,693**

(22) Filed: **Oct. 15, 2018**

(51) **LOC (12) Cl.** **13-03**

(52) **U.S. Cl.**
USPC **D13/133; D13/107**

(58) **Field of Classification Search**
USPC ... D13/107, 108, 110, 112, 123, 133, 137.3, D13/137.4, 138.1, 138.2, 139.1, D13/139.6–139.8, 146, 147, 152, 154, D13/173, 184, 199; D14/204, 209.1, 216, D14/217, 253, 432–434, 447
CPC B60R 11/02; B62J 9/00; F16B 1/10; F16B 2/10; F21L 4/04; H01R 13/08; H01R 13/44; H01R 33/945; H04B 1/3877; H05K 5/00; H05K 5/0026; H05K 5/02
See application file for complete search history.

(56) **References Cited**

U.S. PATENT DOCUMENTS

D233,385 S	10/1974	Friedman	
D320,992 S	10/1991	Jondelius	
5,628,641 A	5/1997	Hahn	
6,089,886 A	7/2000	Mareno	
6,091,611 A	7/2000	Lanni	
D520,448 S *	5/2006	Lodato D13/110

D573,947 S	7/2008	Kishimoto et al.	
D582,399 S	12/2008	Venier et al.	
D634,315 S	3/2011	Nousiainen	
D646,674 S *	10/2011	Liao D14/253
D652,836 S *	1/2012	Voorhees D14/238.1
D660,306 S *	5/2012	Voorhees D14/238.1
D686,629 S	7/2013	Trinh et al.	
8,712,486 B2	4/2014	Sorias et al.	
D705,211 S *	5/2014	Huang D14/253

(Continued)

OTHER PUBLICATIONS

LANMU Wall Mount for Google Home Mini, dated Jul. 13, 2018, [online], [site visited Sep. 24, 2019]. Available from Internet, URL: <https://www.amazon.com/LANMU-Outlet-Google-Assistants-Accessories/dp/B07FKGZK6X> (Year: 2018).*

(Continued)

Primary Examiner — Angela J Lee

Assistant Examiner — Shawn T Gingrich

(74) *Attorney, Agent, or Firm* — Lauff Law PLLC

(57) **CLAIM**

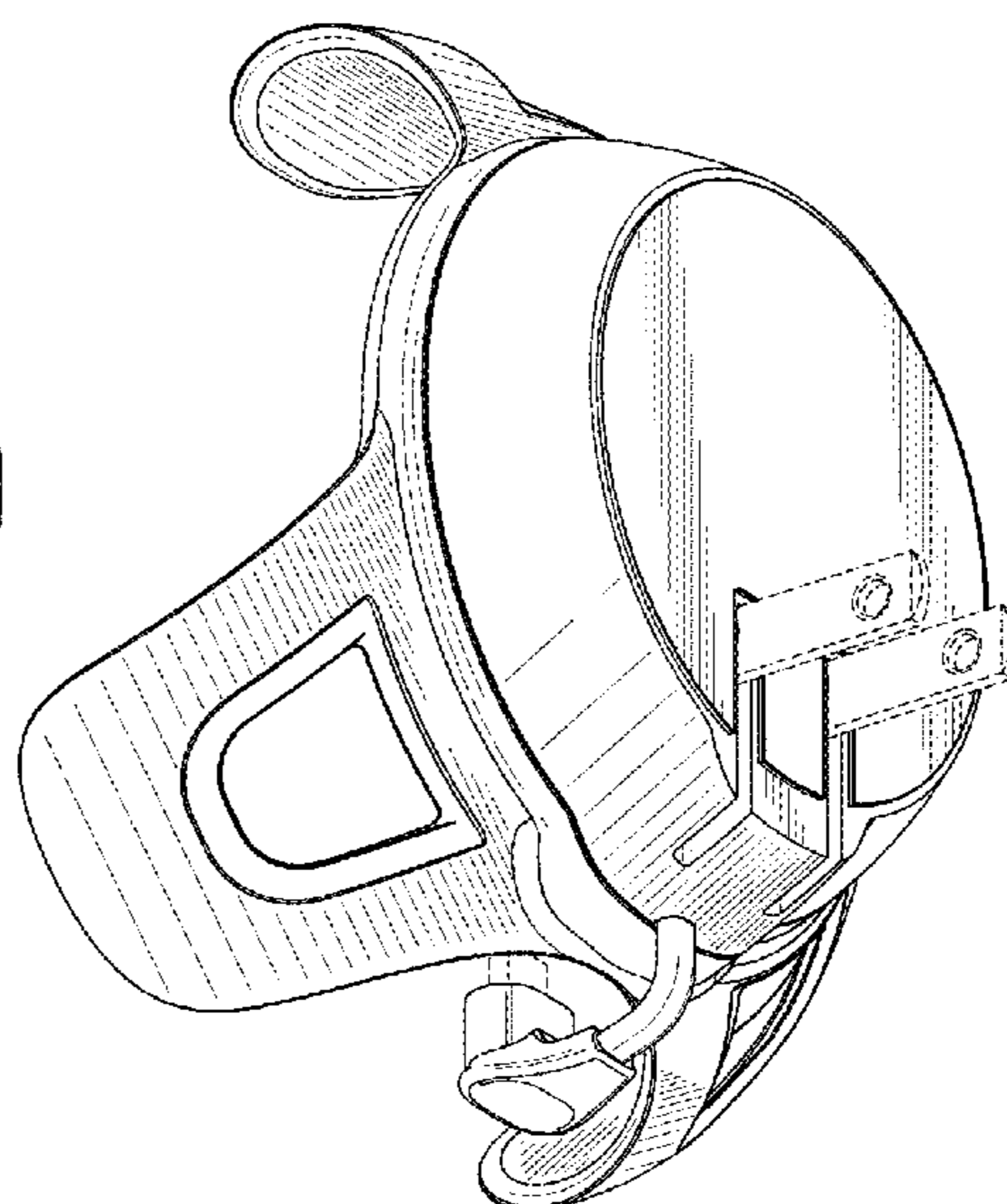
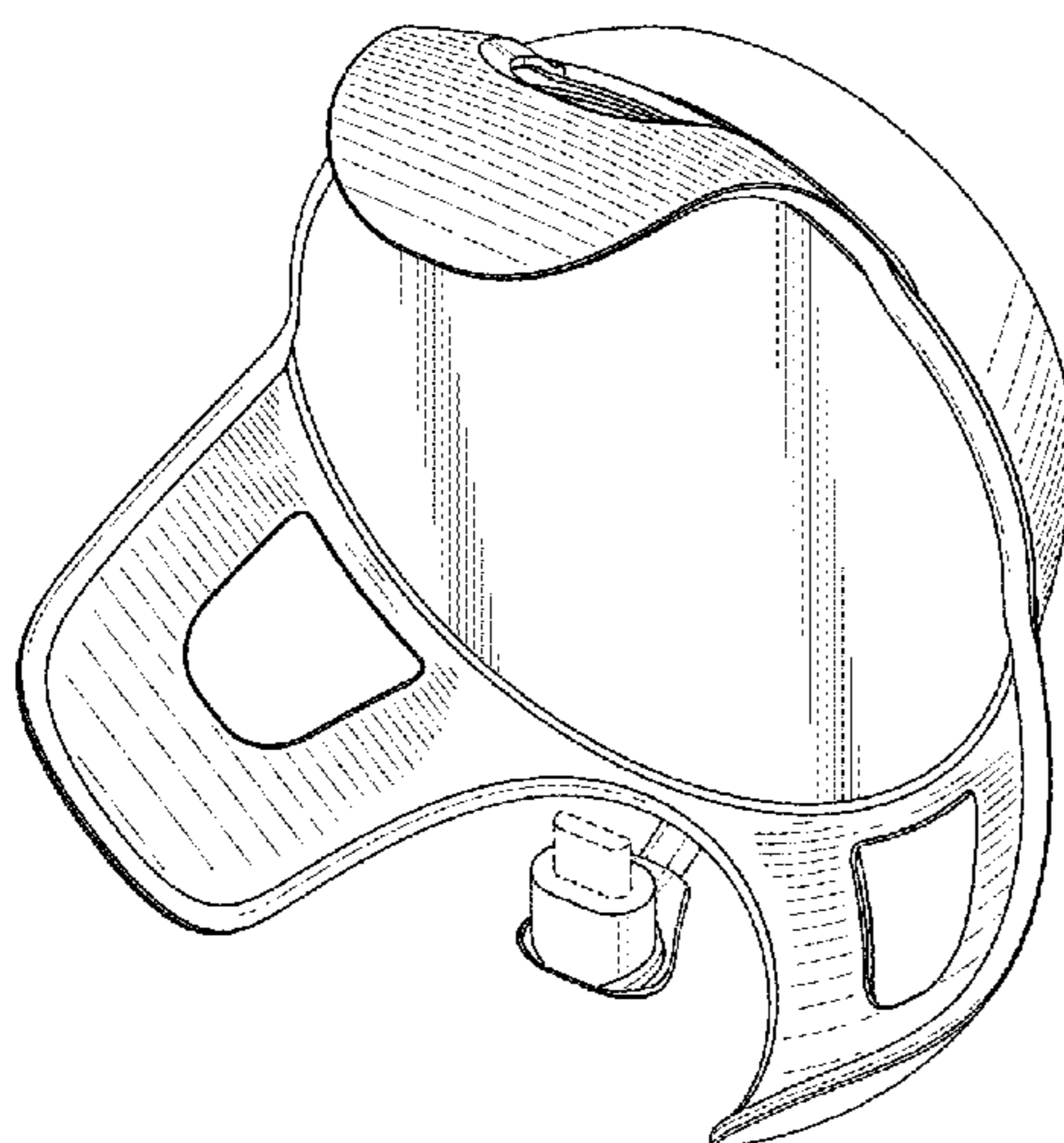
The ornamental design for a interactive device holder, substantially as shown and described.

DESCRIPTION

FIG. 1 is a right front perspective view of the interactive device holder showing our new design; FIG. 2 is a right rear lower perspective view thereof; FIG. 3 is a front elevation view thereof; FIG. 4 is a rear elevation view thereof; FIG. 5 is an upper plan view thereof; FIG. 6 is a lower plan view thereof; FIG. 7 is a right elevation view thereof; and, FIG. 8 is a left elevation view thereof.

The broken lines in the drawings are for the purpose of illustrating portions of the interactive device holder that form no part of the claimed design.

1 Claim, 4 Drawing Sheets



(56)

References Cited

U.S. PATENT DOCUMENTS

D707,662 S 6/2014 Okita
 D709,066 S * 7/2014 Byun D14/253
 D712,394 S 9/2014 Booth et al.
 D745,495 S 12/2015 Fereday et al.
 D753,643 S 4/2016 Kim et al.
 D765,064 S 8/2016 Wengreen
 D775,534 S 1/2017 Turksu et al.
 D777,167 S 1/2017 Wengreen
 9,544,005 B2 1/2017 Wei
 9,573,532 B2 2/2017 Riddiford et al.
 D790,528 S 6/2017 Lindloff
 D791,700 S * 7/2017 Loewen D13/108
 D792,345 S * 7/2017 Loewen D13/108
 9,742,885 B2 8/2017 Rostami
 D802,529 S * 11/2017 Andersson D13/108
 D811,334 S 2/2018 Weng et al.
 9,977,462 B2 5/2018 Sorias et al.
 D823,841 S 7/2018 Marini
 10,027,149 B2 7/2018 Warren
 10,034,398 B2 7/2018 Kurian et al.
 D847,789 S 5/2019 Virhia et al.
 D848,412 S 5/2019 Greve et al.
 D856,344 S * 8/2019 Wengreen D14/447
 2006/0171145 A1 * 8/2006 Ford F21L 4/027
 362/200
 2015/0072555 A1 * 3/2015 Riddiford F16M 11/041
 439/575
 2015/0230351 A1 * 8/2015 Yeo F16B 2/12
 248/205.5
 2016/0380446 A1 * 12/2016 Loewen H02J 7/0042
 320/107
 2017/0324260 A1 11/2017 Rostami
 2019/0116678 A1 * 4/2019 Eshelman H05K 5/0026

OTHER PUBLICATIONS

The USB Cover Plate Mount for Google Home Mini, dated Dec. 21, 2017, [online], [site visited Sep. 24, 2019]. Available from Internet, URL: <https://www.amazon.com/Cover-Plate-Mount-Google-Built/dp/B078JTK838> (Year: 2017).*

Google Home Mini Wall Mount, dated Jul. 3, 2018, [online], [site visited Sep. 24, 2019]. Available from Internet, URL: <https://www.etsy.com/nz/listing/594724969/google-home-mini-wall-mount-google-home> (Year: 2018).*

Interactive Device Holder, U.S. Appl. No. 29/608,848, Eshelman, Brandon; et al., filed Jun. 26, 2017.

Independently Powered Interactive Device Holder, U.S. Appl. No. 16/160,642, Eshelman, Brandon; et al., filed Oct. 15, 2018.

Interactive Device Holder, U.S. Appl. No. 29/666,680, Eshelman, Brandon; et al., filed Oct. 15, 2018.

Interactive Device Holder, U.S. Appl. No. 29/666,684, Eshelman, Brandon; et al., filed Oct. 15, 2018.

Interactive Device Holder, U.S. Appl. No. 29/666,693, Eshelman, Brandon; et al., filed Oct. 15, 2018.

Power Adapter, U.S. Appl. No. 29/533,871, Eshelman, Brandon; et al., filed Jul. 22, 2015.

Power Adapter, U.S. Appl. No. 29/533,872, Eshelman, Brandon; et al., filed Jul. 22, 2015.

Electrical Cord Plug, U.S. Appl. No. 29/582,844, Eshelman, Brandon; et al., filed Oct. 31, 2016.

Electrical Extension Cord Receptacle End, U.S. Appl. No. 29/582,846, Eshelman, Brandon; et al., filed Oct. 31, 2016.

Electrical Extension Cord Receptacle End, U.S. Appl. No. 29/582,848, Eshelman, Brandon; et al., filed Oct. 31, 2016.

Power Cord End, U.S. Appl. No. 29/608,851, Eshelman, Brandon; et al., filed Jun. 26, 2017.

Power Cord Cover, U.S. Appl. No. 29/615,742, Eshelman, Brandon; et al., filed Aug. 30, 2017.

Power Cord Cover, U.S. Appl. No. 29/615,743, Eshelman, Brandon; et al., filed Aug. 30, 2017.

Power Strip, U.S. Appl. No. 29/662,101, Eshelman, Brandon; et al., filed Aug. 31, 2018.

Power Strip, U.S. Appl. No. 29/662,102, Eshelman, Brandon; et al., filed Aug. 31, 2018.

Power Strip, U.S. Appl. No. 29/662,103, Eshelman, Brandon; et al., filed Aug. 31, 2018.

Power Cord End With Covered Receptacles, U.S. Appl. No. 29/668,061, Eshelman, Brandon; et al., filed Oct. 26, 2018.

Power Adapter With Covered Receptacles, U.S. Appl. No. 29/668,062, Eshelman, Brandon; et al., filed Oct. 26, 2018.

Power Strip With Covered Receptacles, U.S. Appl. No. 29/668,065, Eshelman, Brandon; et al., filed Oct. 26, 2018.

Power Strip With Covered Receptacles, U.S. Appl. No. 29/668,066, Eshelman, Brandon; et al., filed Oct. 26, 2018.

Reorientable Electrical Outlet, U.S. Appl. No. 10/996,106, Gerard, Kimberly R., filed Nov. 23, 2004.

Reorientable Electrical Receptacle, U.S. Appl. No. 11/081,282, Gerard, Kimberly R., filed Mar. 16, 2005.

Reorientable Electrical Receptacle, U.S. Appl. No. 11/302,924, Gerard, Kimberly R., filed Dec. 14, 2005.

Reorientable Electric Outlet, U.S. Appl. No. 09/458,163, Gerard, Kimberly R.; et al., filed Dec. 9, 1999.

Reorientable Electrical Receptacle, U.S. Appl. No. 11/778,948, Gerard, Kimberly R., filed Jul. 17, 2007.

Reorientable Electrical Receptacle, U.S. Appl. No. 12/835,722, Gerard, Kimberly R., filed Jul. 13, 2010.

Reorientable Electrical Receptacle, U.S. Appl. No. 13/219,865, Gerard, Kimberly R., filed Aug. 29, 2011.

Reorientable Electrical Receptacle, U.S. Appl. No. 13/541,383, Gerard, Kimberly R., filed Jul. 3, 2012.

Electrical Receptacle Faceplate, U.S. Appl. No. 12/141,807, Eshelman, Brandon, filed Jun. 18, 2008.

Electrical Receptacle Faceplate, U.S. Appl. No. 13/043,003, Eshelman, Brandon, filed Mar. 8, 2011.

U.S. Appl. No. 29/608,848, Eshelman, Brandon; et al., filed Jun. 26, 2017.

U.S. Appl. No. 29/666,680, Eshelman, Brandon; et al., filed Oct. 15, 2018.

U.S. Appl. No. 29/666,684, Eshelman, Brandon; et al., filed Oct. 15, 2018.

* cited by examiner

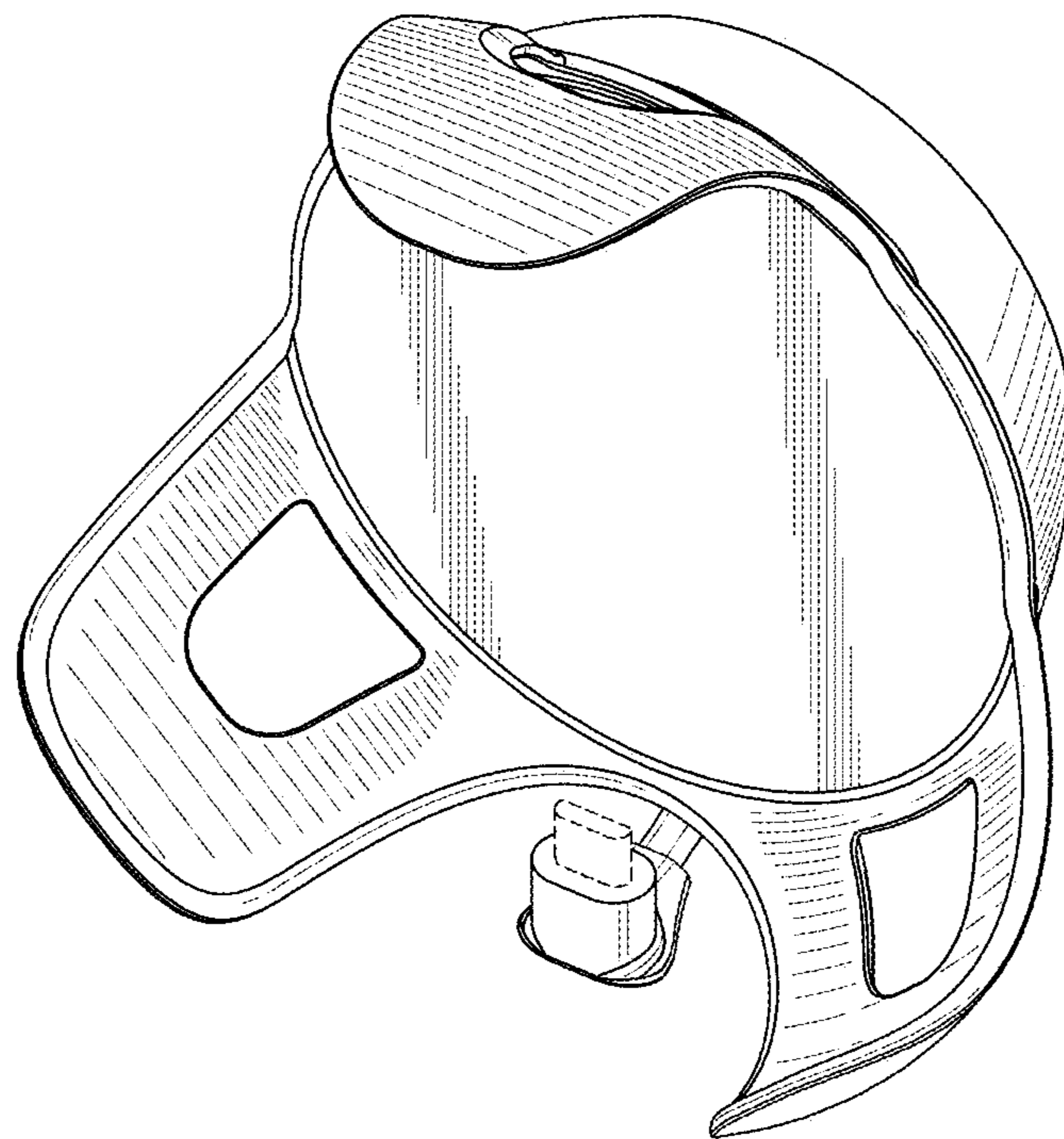


FIG. 1

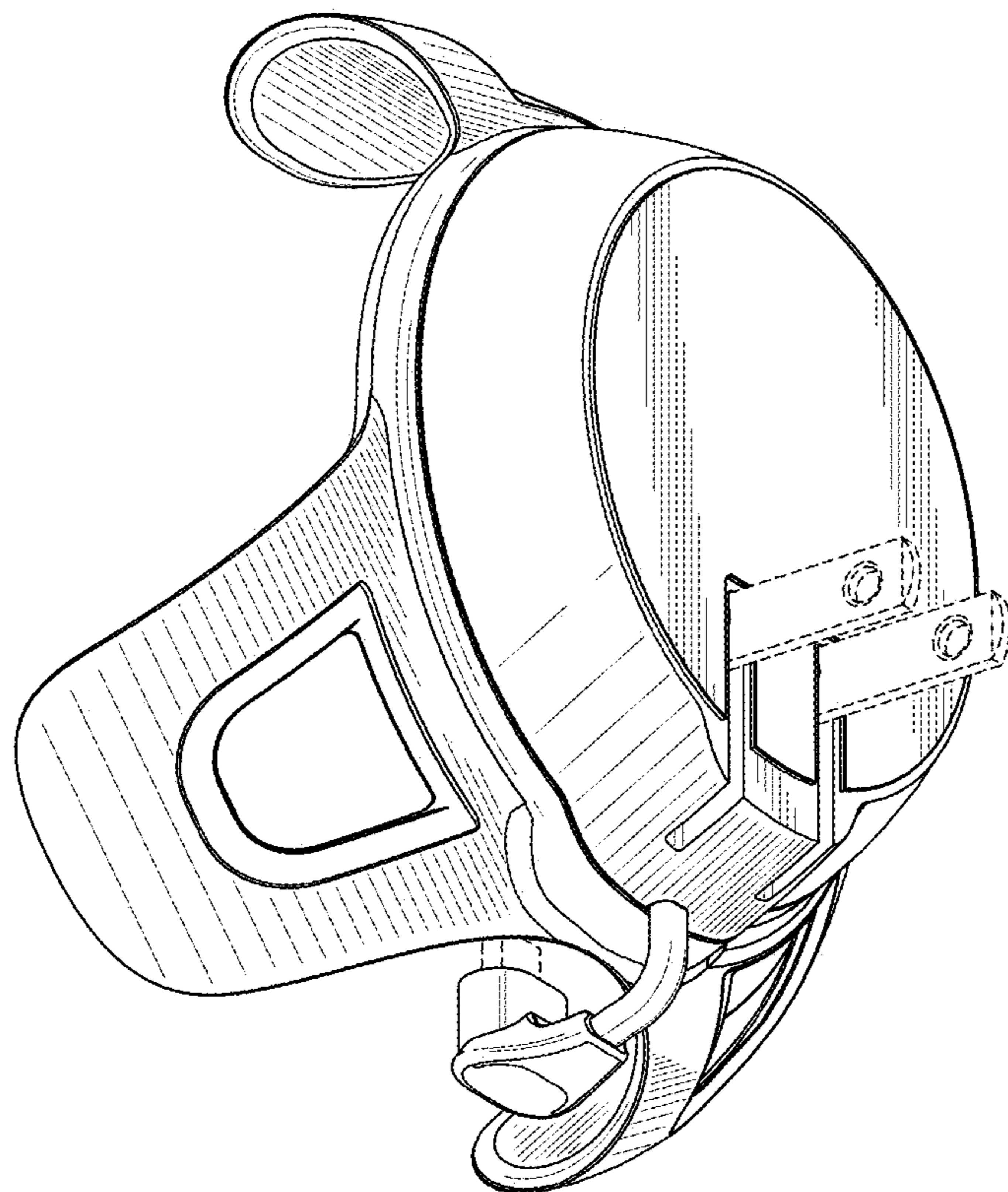


FIG. 2

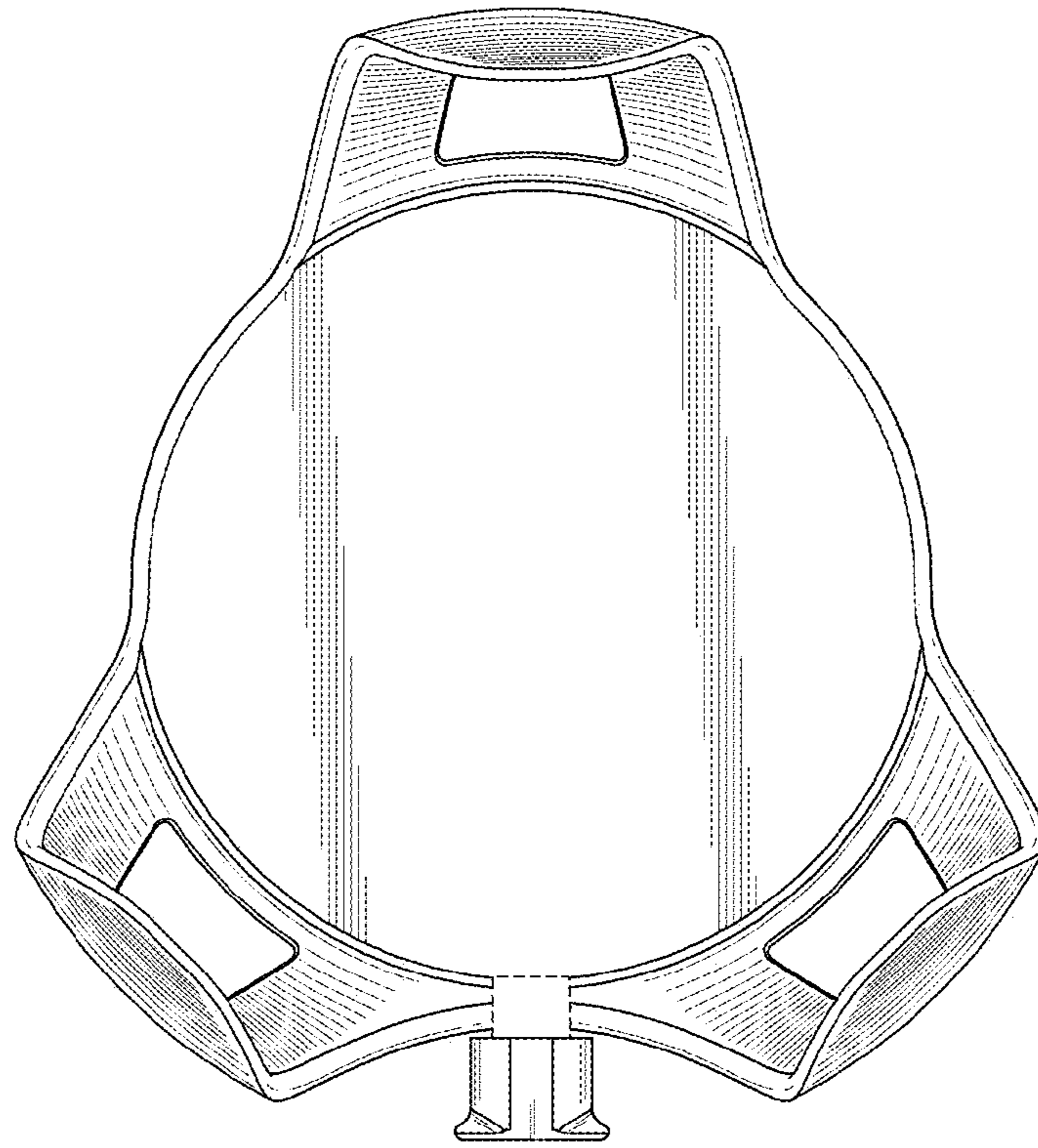


FIG. 3

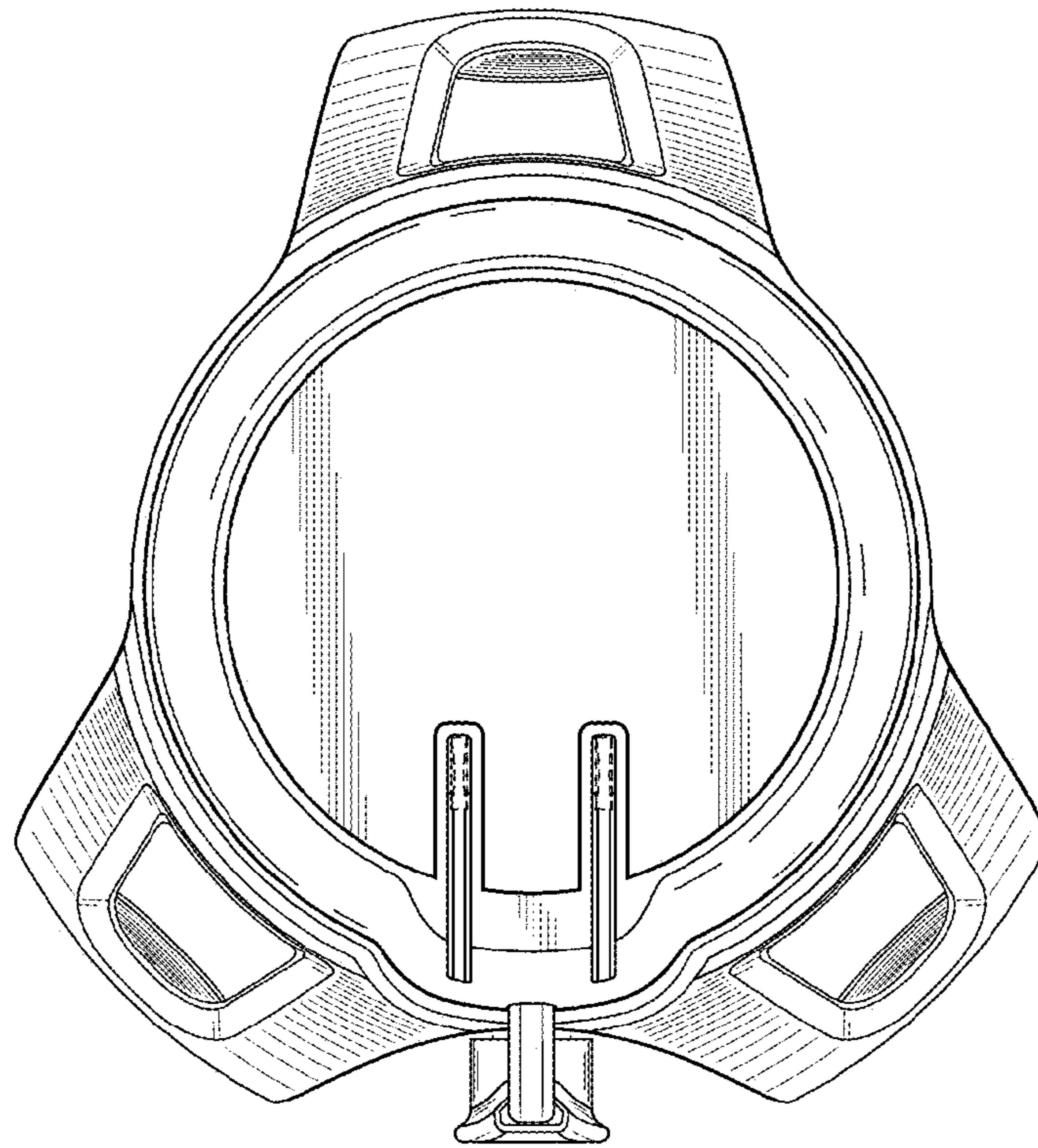


FIG. 4

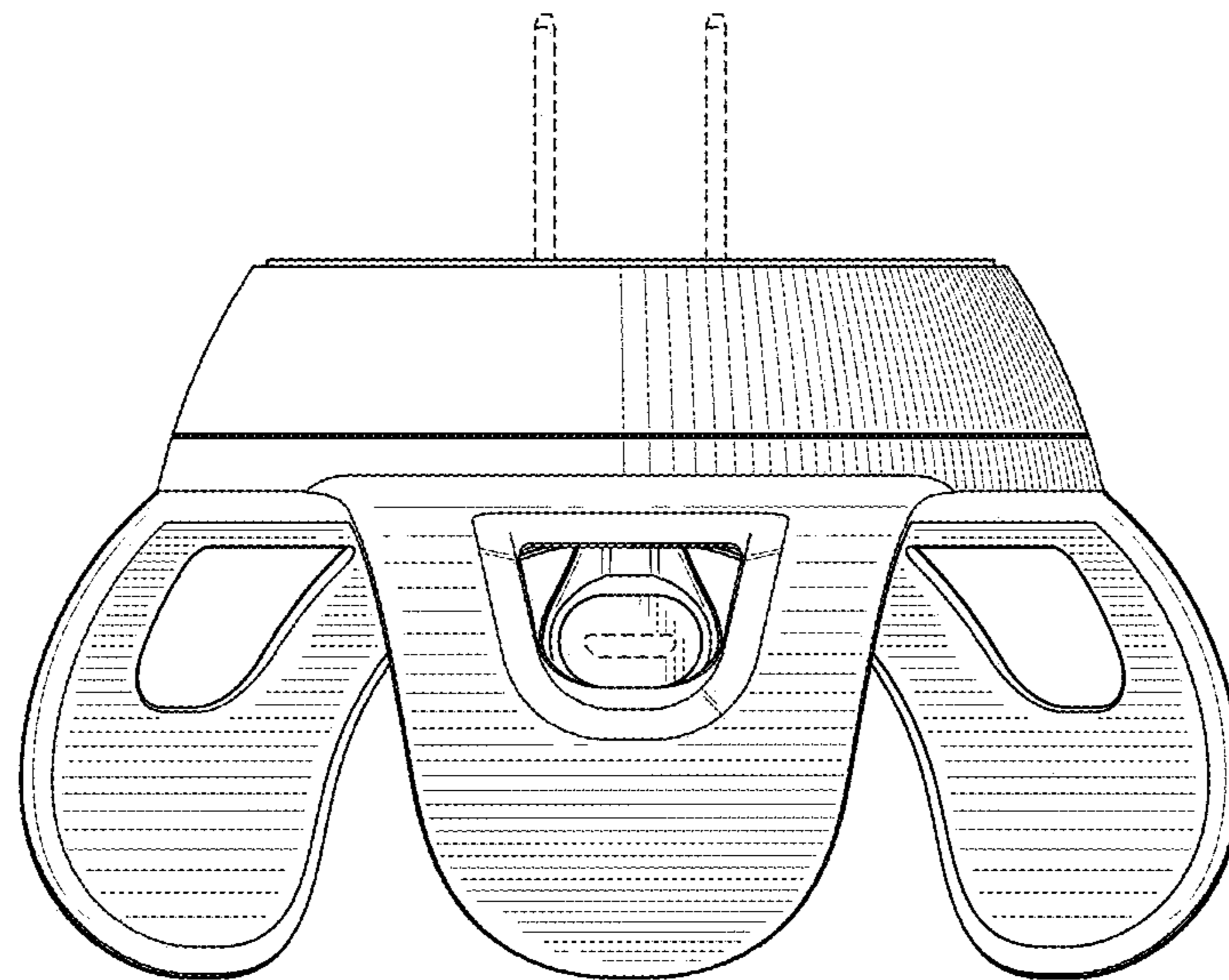


FIG. 5

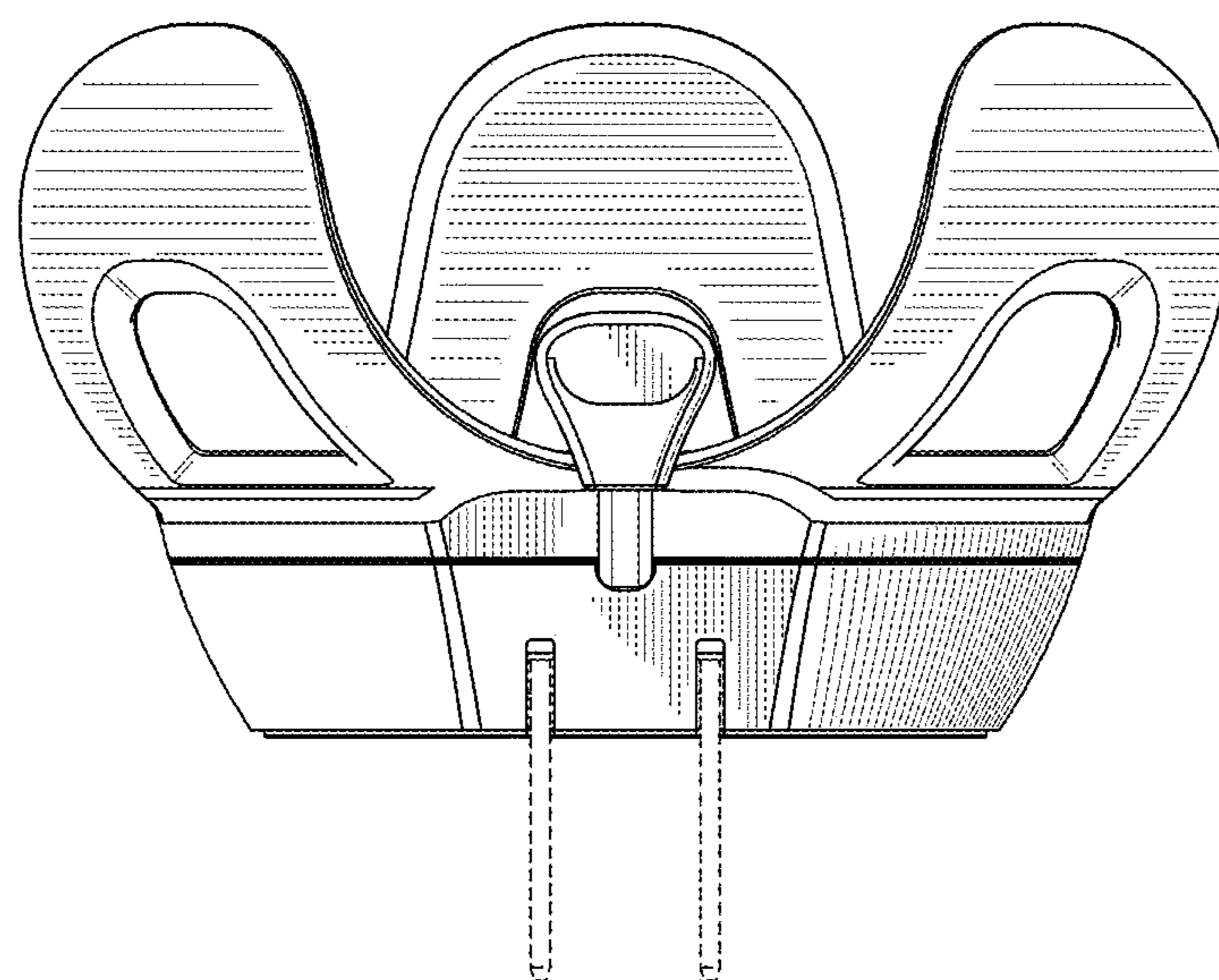


FIG. 6

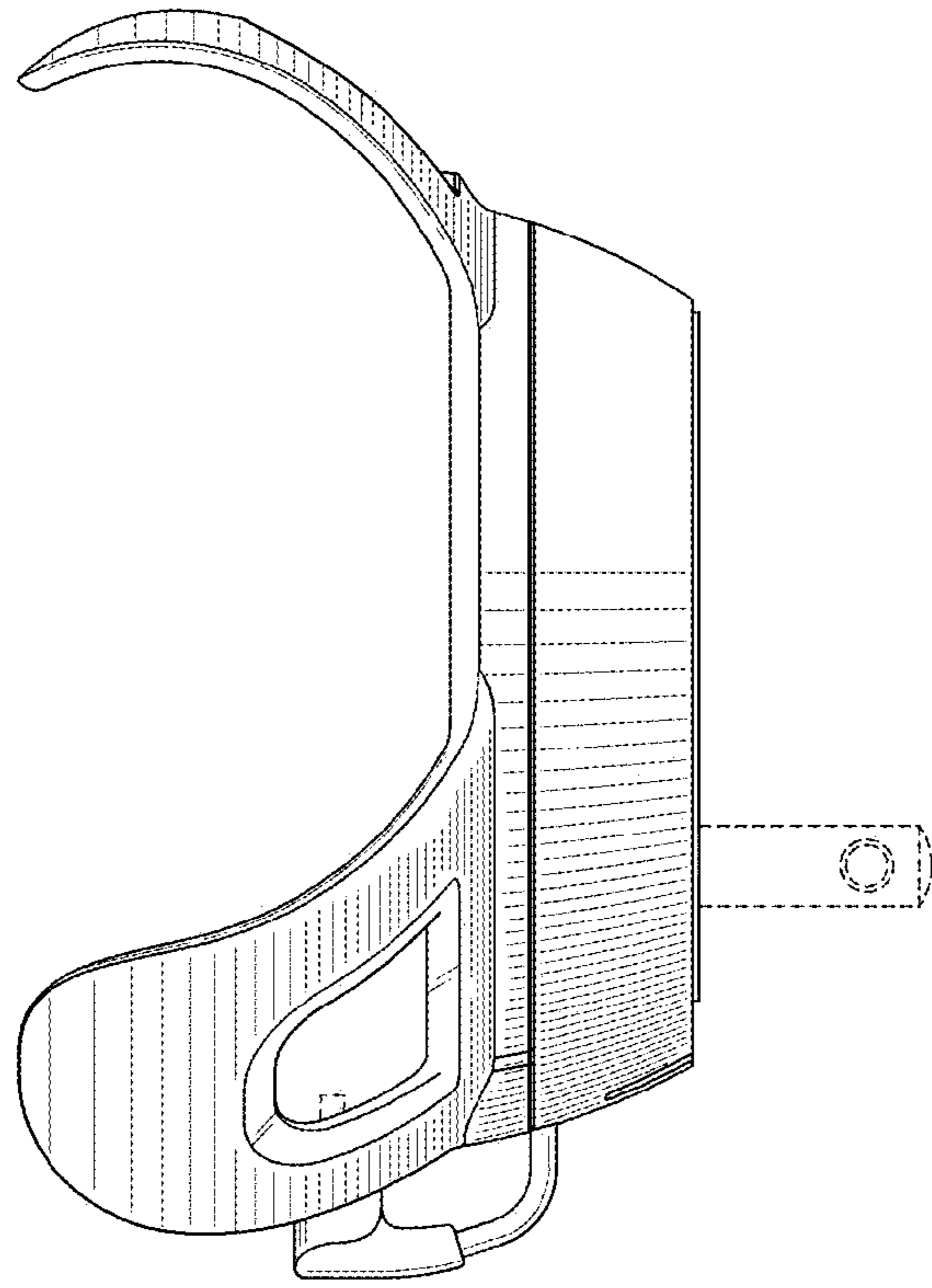


FIG. 7

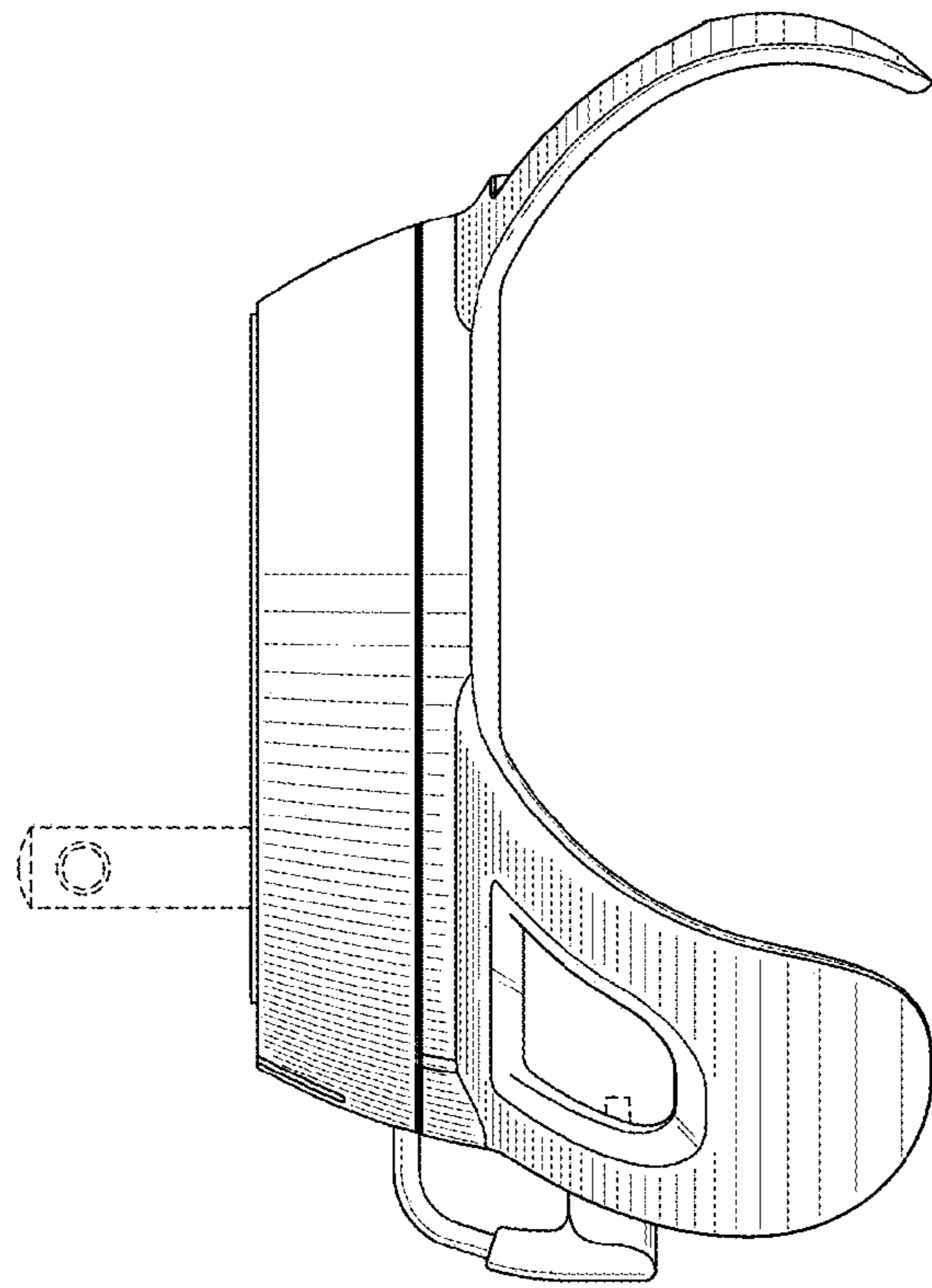


FIG. 8