



US00D872017S

(12) **United States Design Patent**
Huang

(10) **Patent No.:** **US D872,017 S**

(45) **Date of Patent:** **** Jan. 7, 2020**

(54) **PORTABLE POWER GENERATOR**

(71) Applicant: **Shisheng Huang**, Shenzhen (CN)

(72) Inventor: **Shisheng Huang**, Shenzhen (CN)

(**) Term: **15 Years**

(21) Appl. No.: **29/619,448**

(22) Filed: **Sep. 29, 2017**

(51) **LOC (12) Cl.** **13-02**

(52) **U.S. Cl.**
USPC **D13/110**

(58) **Field of Classification Search**

USPC D13/110, 103, 107, 108, 118, 123, 162,
D13/168, 169, 174, 177, 184, 199;
D14/257, 432, 438; 174/16.3, 17 R,
174/17.08; 361/600, 601, 690, 694, 695,
361/679.01, 679.61, 704, 730; 363/141,
363/142

CPC H05K 5/00; H05K 5/02; H05K 5/0247;
H05K 7/00; H05K 7/20; H05K 7/20136;
H05K 7/20154; H05K 7/209; H02M 7/00;
H02M 7/003; H02M 2001/009; H02J
7/0042; Y10T 307/367; Y02E 60/12;
Y02E 60/50; H01M 2/02; H01M 2/025;
H01M 2/0207; H01M 2/0212

See application file for complete search history.

(56) **References Cited**

U.S. PATENT DOCUMENTS

8,541,985 B1 * 9/2013 Wong G06F 1/1632
320/140
D713,335 S * 9/2014 Mao D13/103

D716,729 S * 11/2014 Kelly D13/110
D733,050 S * 6/2015 Chiang D13/103
D768,068 S * 10/2016 Chen D13/103
D780,113 S * 2/2017 Xianxi D13/103

* cited by examiner

Primary Examiner — Derrick E Holland

(74) *Attorney, Agent, or Firm* — Law Offices of Steven
W. Weinrieb

(57) **CLAIM**

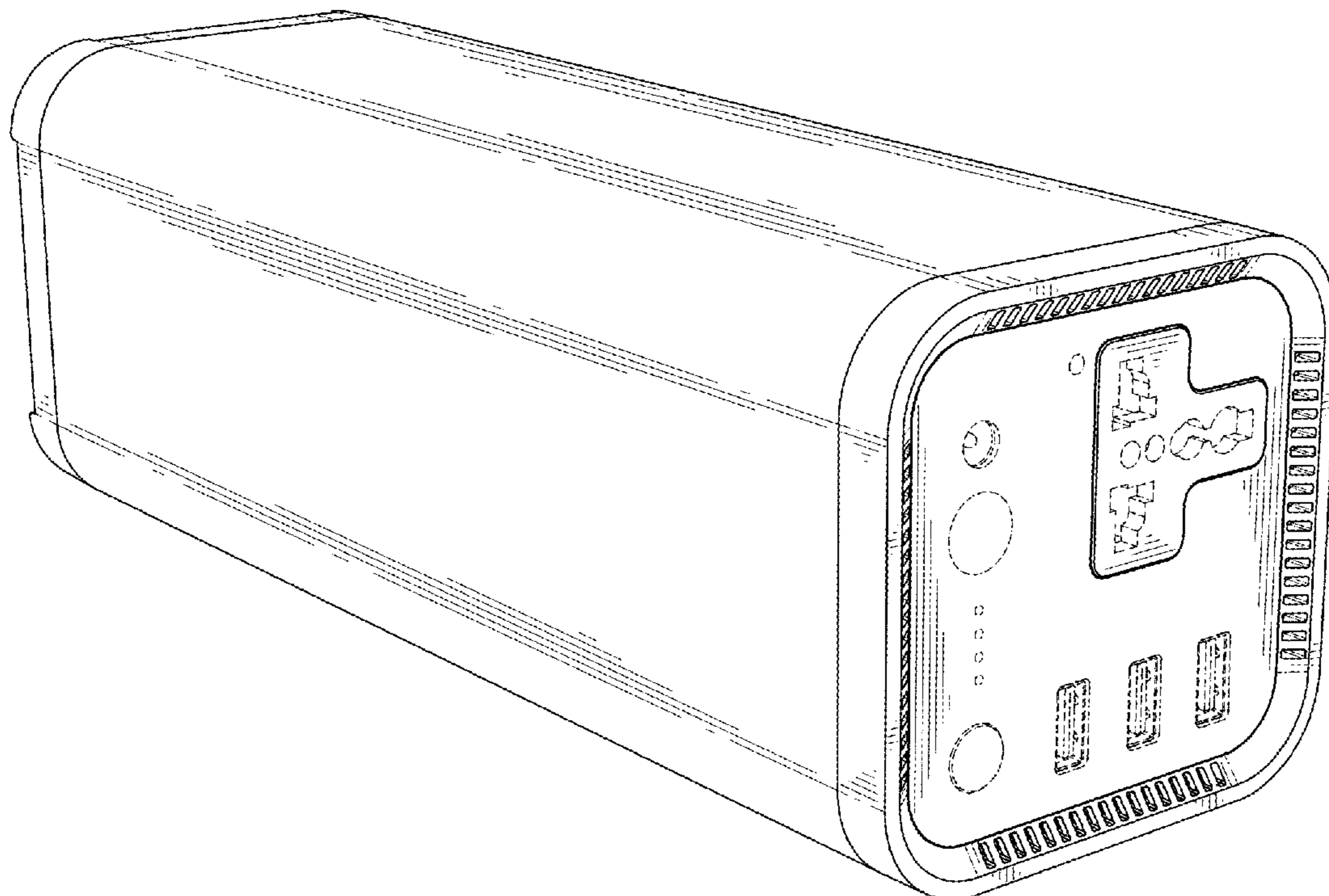
The ornamental design for a portable power generator, as
shown and described.

DESCRIPTION

FIG. 1 is a front end perspective view of a portable power
generator showing my new design;
FIG. 2 is a rear end perspective perspective view thereof;
FIG. 3 is a front end elevation view thereof;
FIG. 4 is a rear end elevation view thereof;
FIG. 5 is a right side elevation view thereof;
FIG. 6 is a left side elevation view thereof;
FIG. 7 is a top plan view thereof; and,
FIG. 8 is a bottom plan view thereof.

The broken lines illustrate the portions of the portable power
generator that form no part of the claimed design.

1 Claim, 8 Drawing Sheets



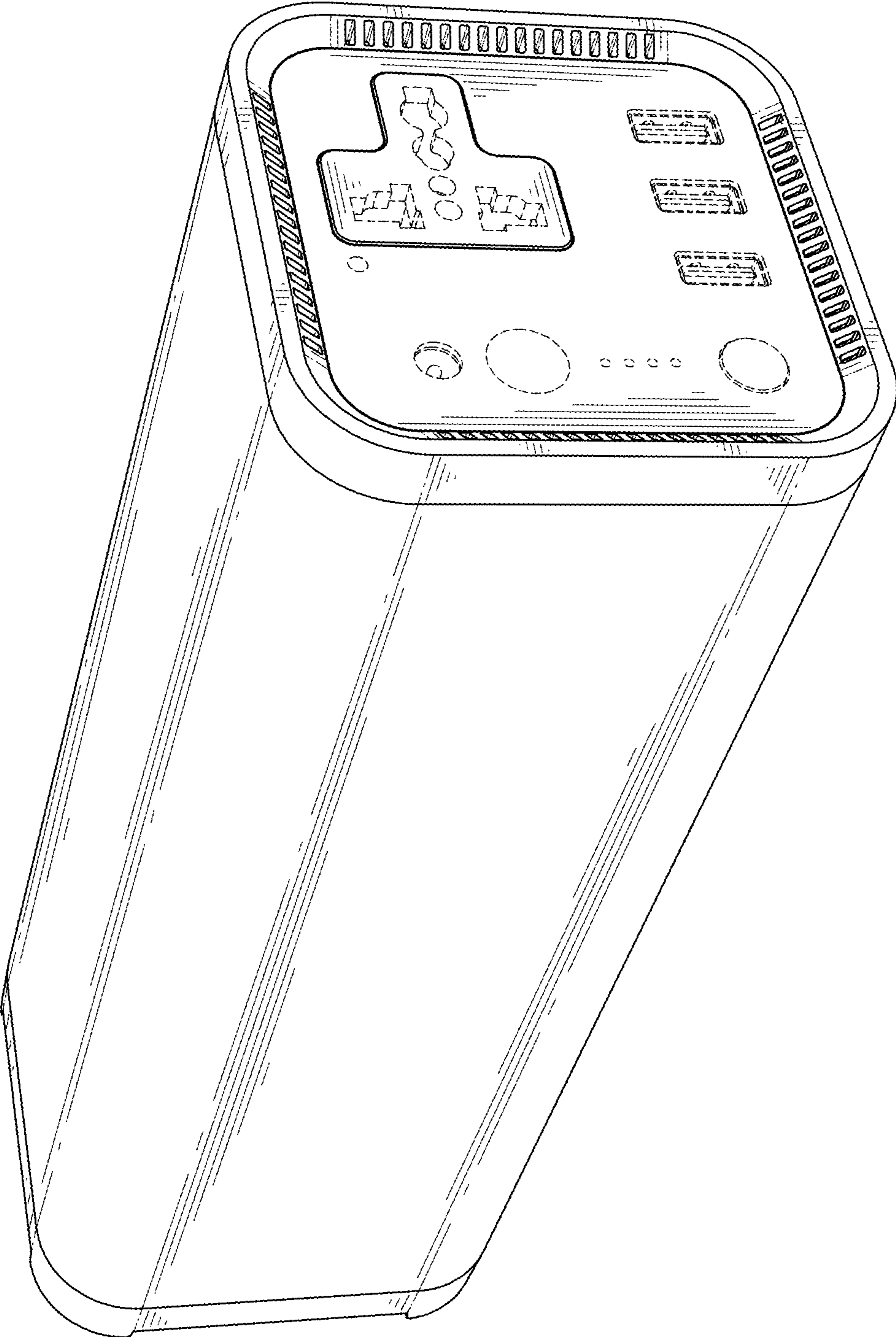


FIG. 1

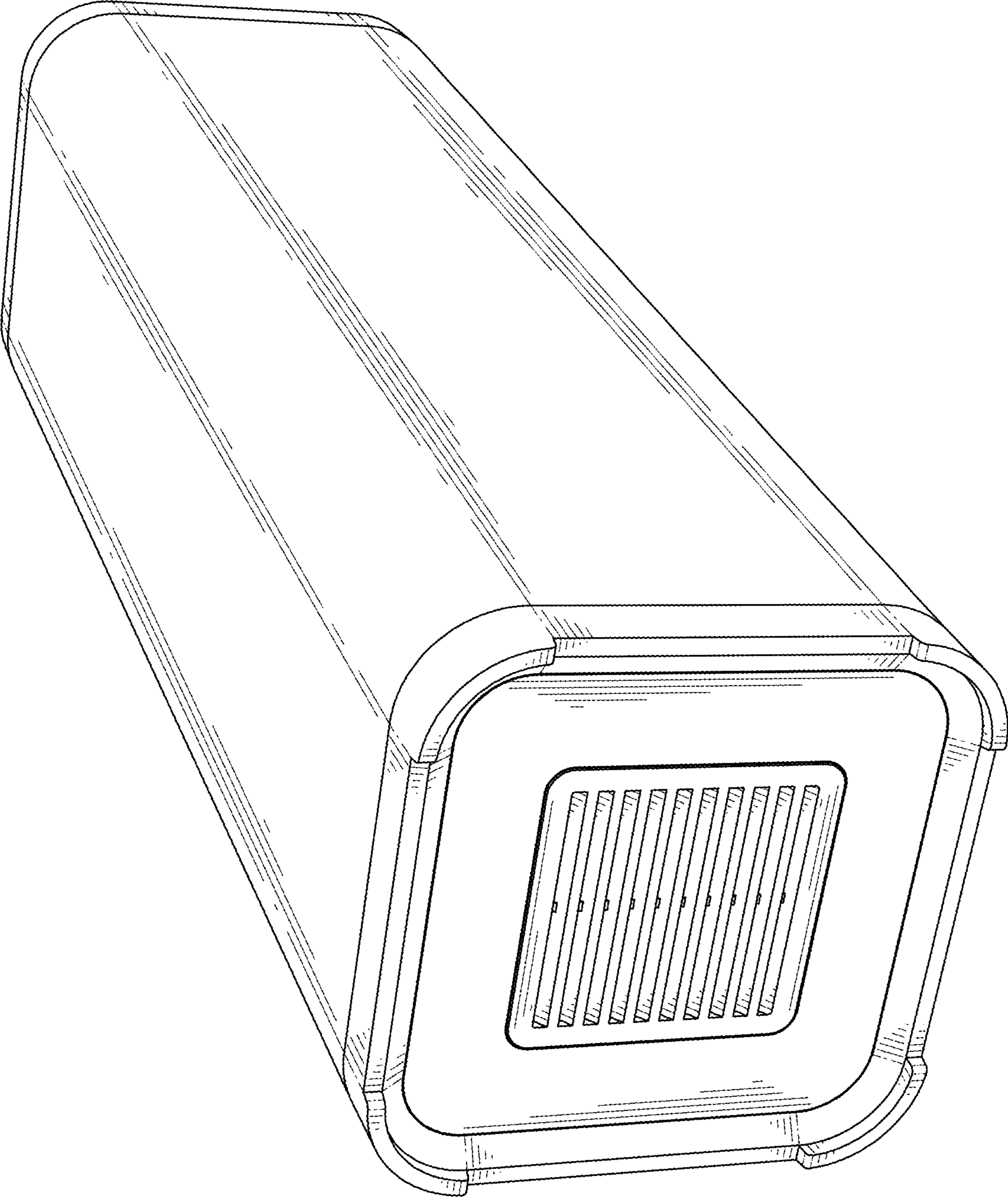


FIG. 2

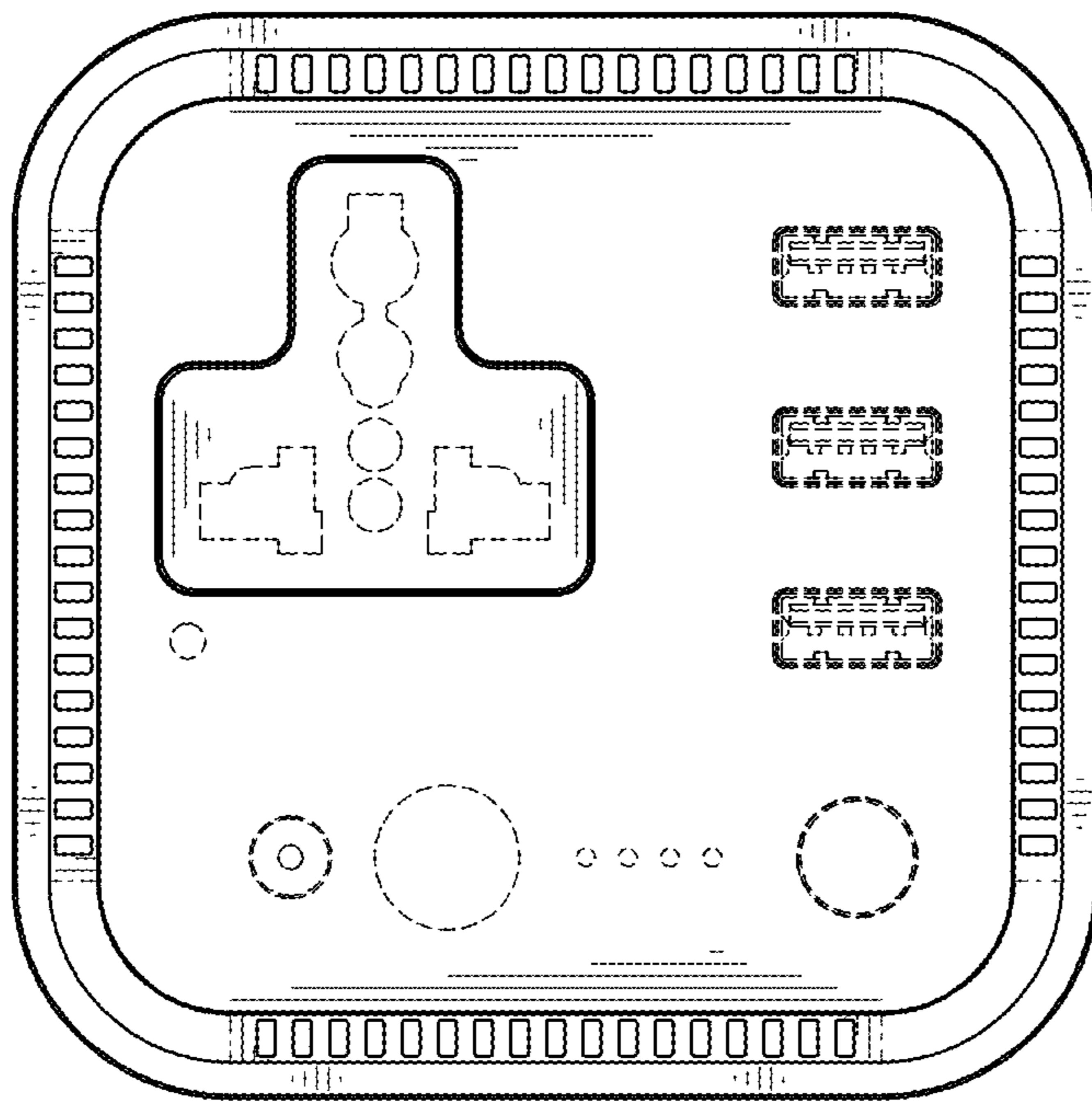


FIG. 3

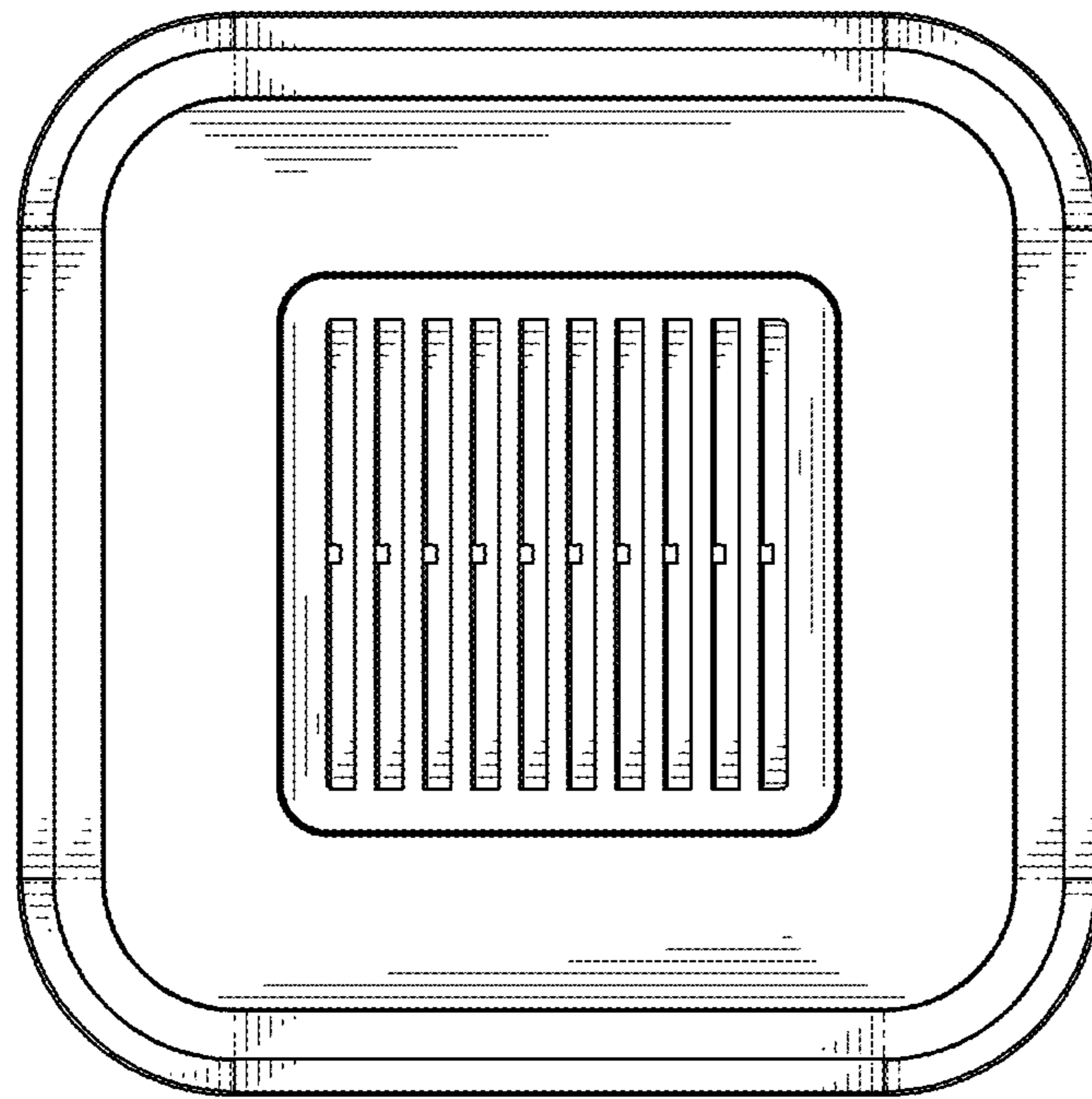


FIG. 4

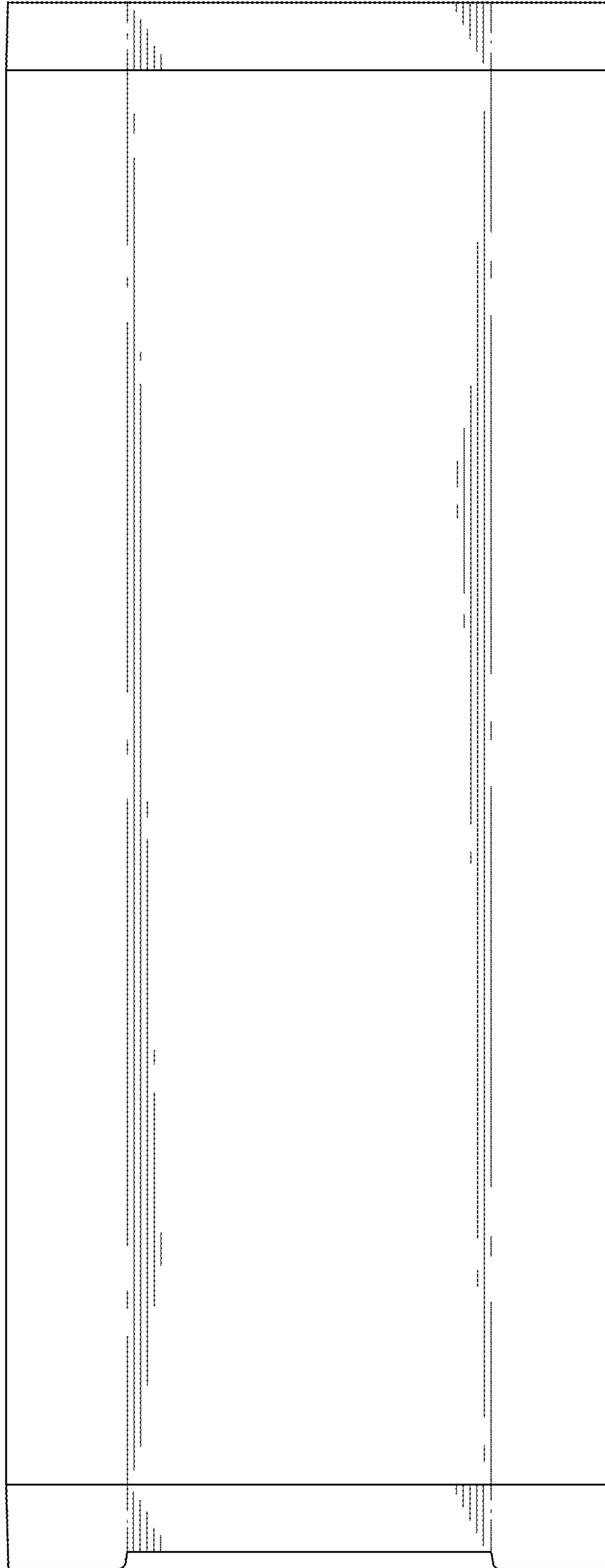


FIG. 5

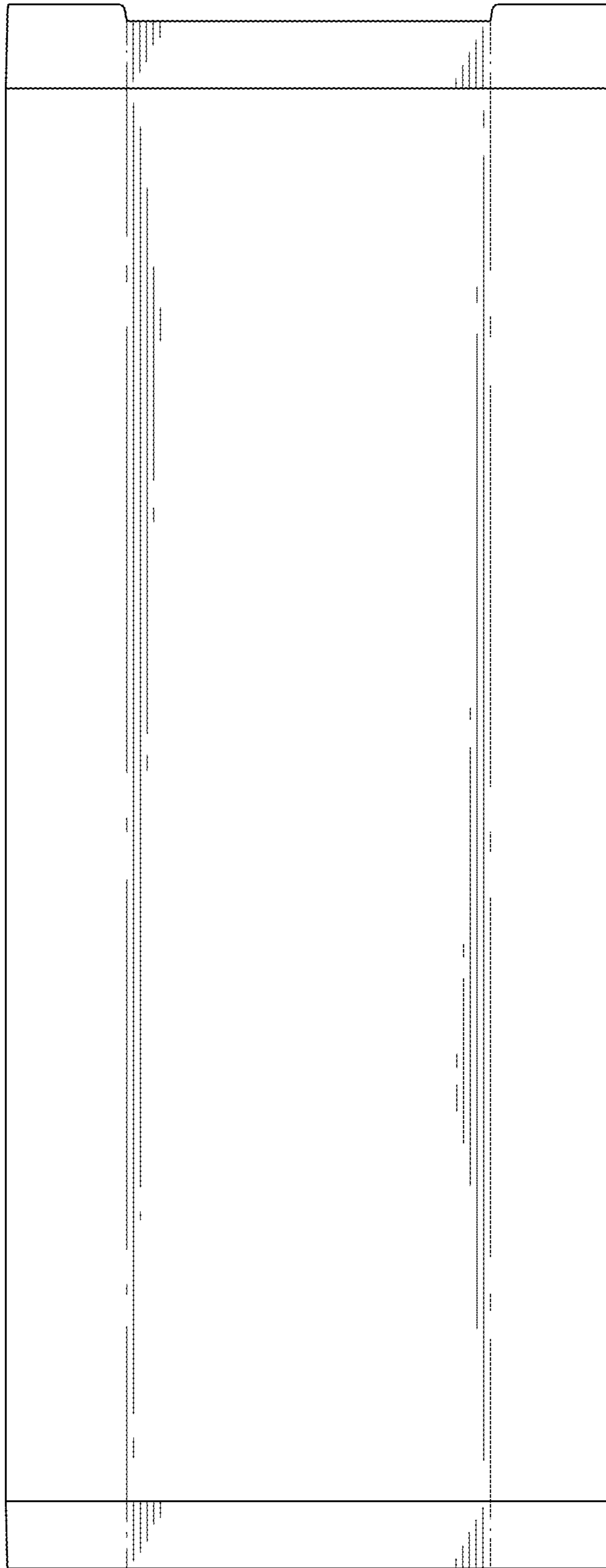


FIG. 6

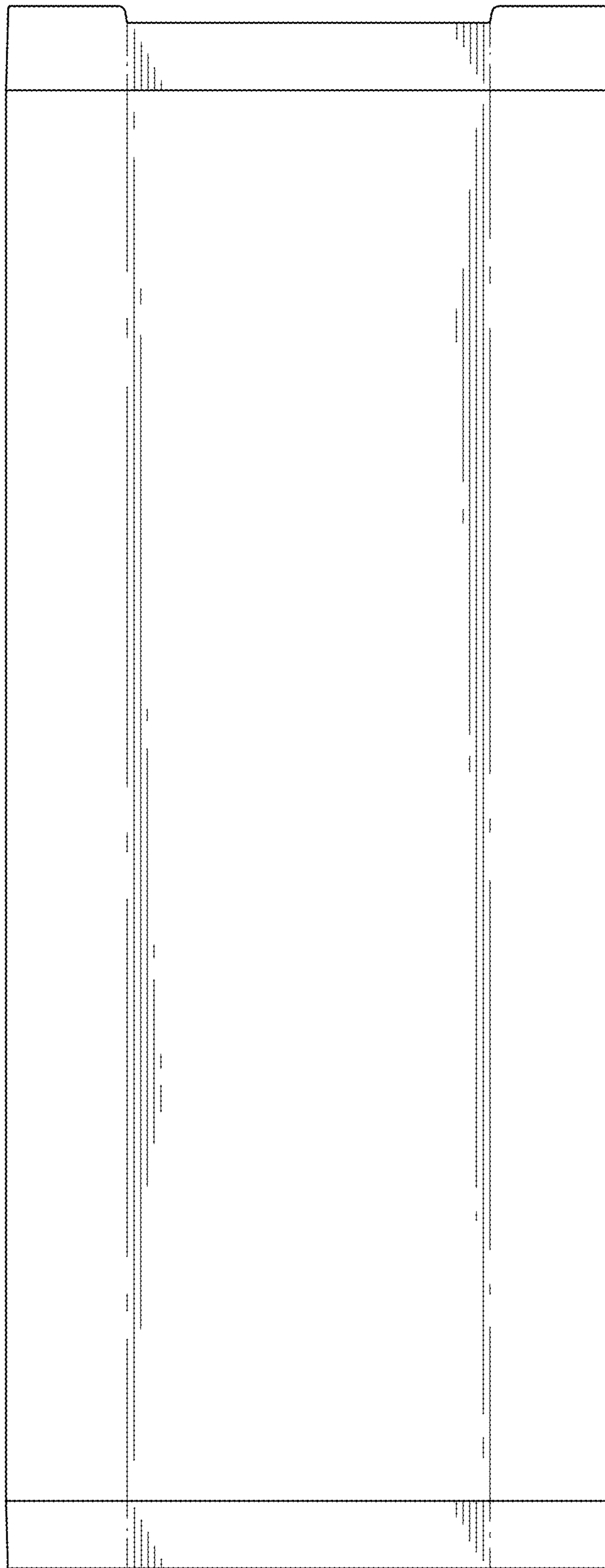


FIG. 7

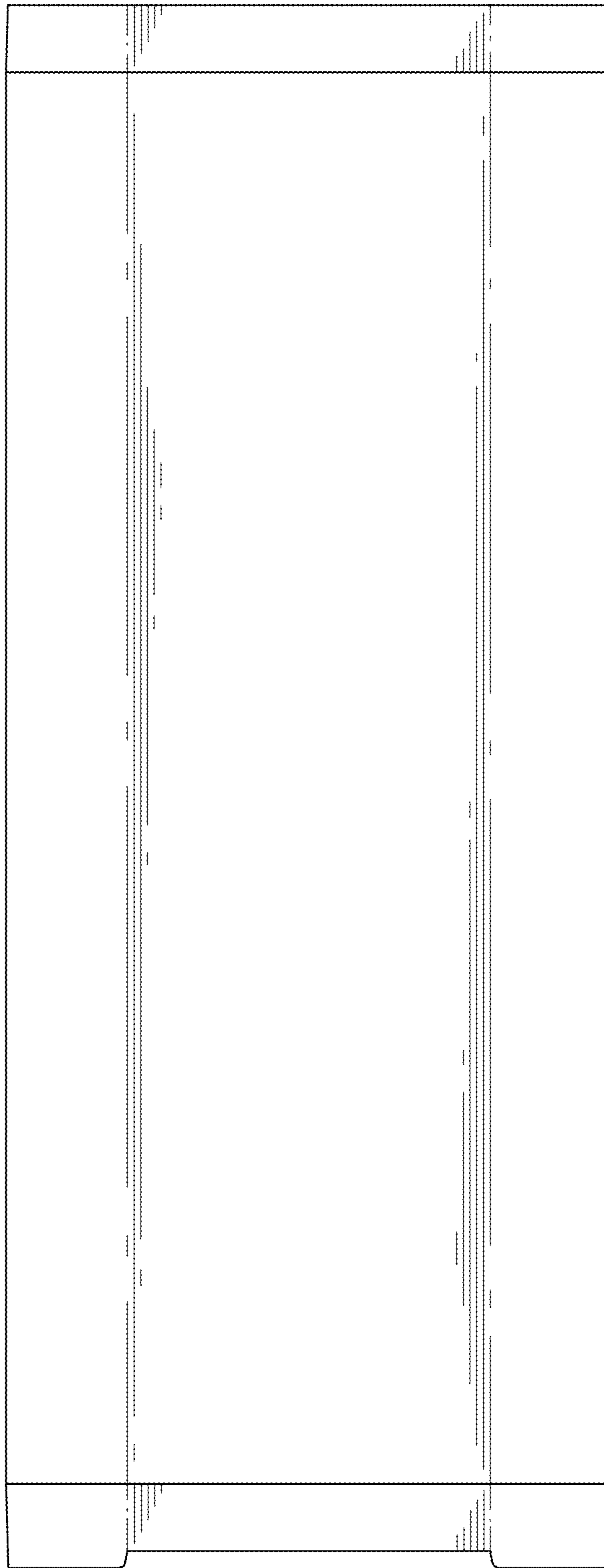


FIG. 8