



US00D872015S

(12) **United States Design Patent** (10) **Patent No.:** **US D872,015 S**
Choi et al. (45) **Date of Patent:** **** Jan. 7, 2020**

(54) **CHARGER FOR ELECTRONIC DEVICE**

FOREIGN PATENT DOCUMENTS

(71) Applicant: **Samsung Electronics Co., Ltd.**,
Suwon-si (KR)

JP D1474499 7/2013
KR 30-2012-0032112 8/2013
KR 30-2016-0052510 6/2017

(72) Inventors: **Eunha Choi**, Seoul (KR); **Yongseok Bang**, Yongin-si (KR)

OTHER PUBLICATIONS

(73) Assignee: **Samsung Electronics Co., Ltd.**,
Suwon-si (KR)

“MyIT Story . . . Blank(OWC-300T)” [2013] www.skykle.blogspot.kr Oct. 13, 2013 <<http://skykle.blogspot.kr/2013/10/blankowc-300t.html>>.

(**) Term: **15 Years**

(Continued)

(21) Appl. No.: **29/660,895**

Primary Examiner — Rosemary K Tarcza

(22) Filed: **Aug. 23, 2018**

(74) *Attorney, Agent, or Firm* — NSIP Law

(30) **Foreign Application Priority Data**

(57) **CLAIM**

Jun. 20, 2018 (KR) 30-2018-0028507

We claim the ornamental design for a charger for electronic device, as shown and described.

(51) **LOC (12) Cl.** **13-02**

(52) **U.S. Cl.**
USPC **D13/108**

(58) **Field of Classification Search**
USPC D13/107–110, 118–119, 184; D14/251,
D14/253, 432, 434
CPC Y02E 60/12; Y02T 90/14; Y02T 90/122;
Y02T 90/128; Y02T 90/163; Y02T
10/7005; Y02T 10/7088; H02J 7/025;
H02J 7/0042; H02J 7/0044; H02J 7/0045;
H02J 7/0003; H01F 38/14; H01R
13/6675; H01M 2/1022; H01M 2/1055;
H01M 10/44; H01M 10/46; H01M
10/425; B60L 11/182

DESCRIPTION

See application file for complete search history.

FIG. 1 is a front perspective view of a charger for electronic device showing our new design;
FIG. 2 is a front view thereof;
FIG. 3 is a rear view thereof;
FIG. 4 is a left-side view thereof;
FIG. 5 is a right-side view thereof;
FIG. 6 is a top view thereof;
FIG. 7 is a bottom view thereof;
FIG. 8 is a cross-sectional view taken along line 8-8 of FIG. 2; and,
FIG. 9 is a top view of the charger for electronic device in which the electronic device is provided in broken lines to illustrate an example environment.
The broken lines in FIGS. 1 and 3-8 depict portions of the charger for electronic device which form no part of the claimed design. The broken lines shown in FIG. 9 are for the purpose of illustrating environmental structure and form no part of the claimed design.

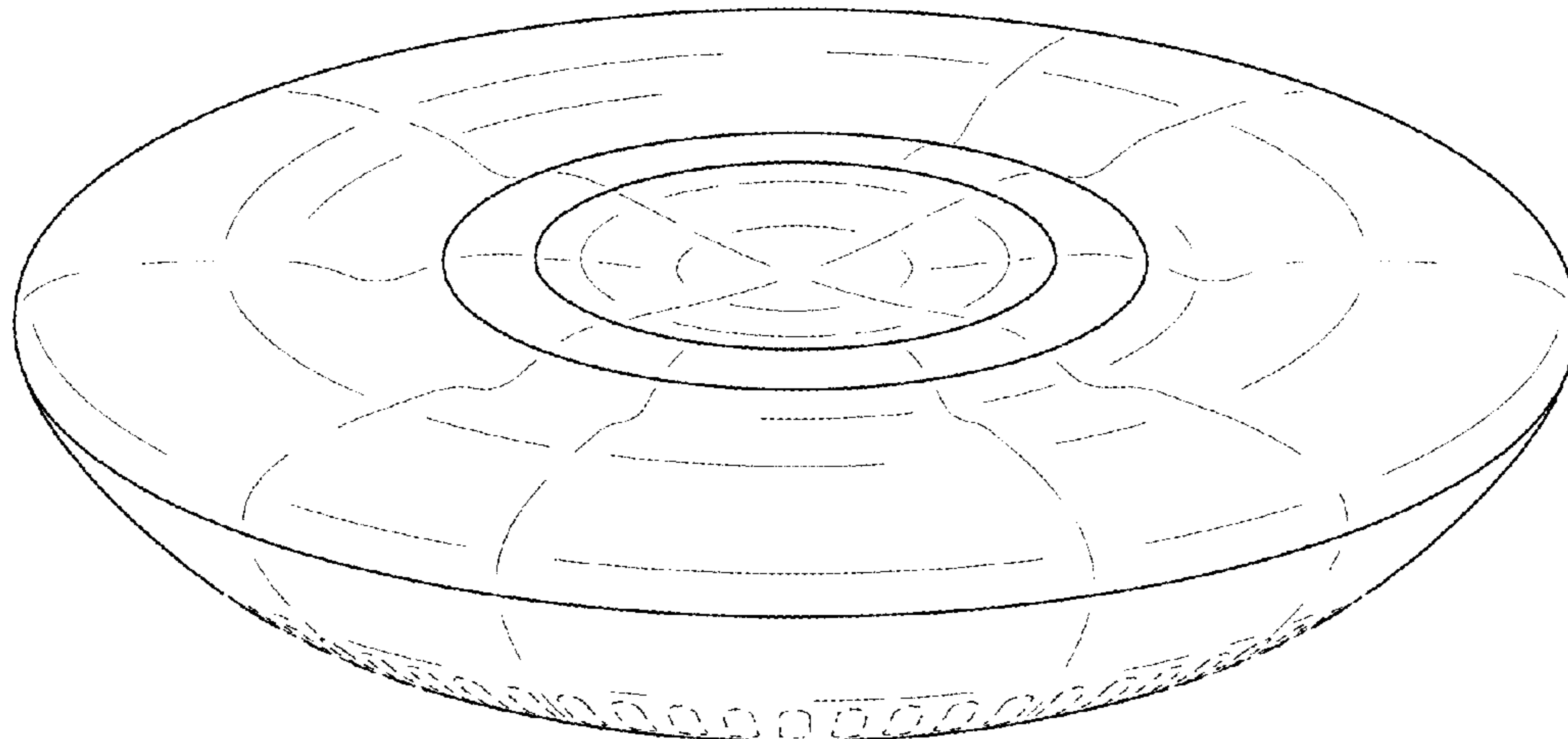
(56) **References Cited**

U.S. PATENT DOCUMENTS

D575,289 S * 8/2008 Kuo D14/434
D620,884 S * 8/2010 Lee D13/108
D645,818 S * 9/2011 Guccione D13/108
D694,182 S * 11/2013 Lee D13/108
D700,571 S * 3/2014 Guccione D13/108

(Continued)

1 Claim, 7 Drawing Sheets



(56)

References Cited

U.S. PATENT DOCUMENTS

D717,244 S * 11/2014 Reishus D13/108
 D718,234 S * 11/2014 Rautiainen D13/108
 D718,236 S * 11/2014 Murray D13/108
 D720,289 S * 12/2014 Chiang D13/108
 D738,823 S * 9/2015 Chen D13/108
 D740,750 S * 10/2015 Mayden D13/108
 D747,267 S 1/2016 Aumiller et al.
 D749,504 S * 2/2016 Jeong D13/108
 D757,014 S * 5/2016 Hahn D13/108
 D774,455 S * 12/2016 Kim D13/108
 D777,103 S * 1/2017 Park D13/108
 D782,973 S * 4/2017 Zhou D13/108
 D784,259 S * 4/2017 Huang D13/108
 D787,439 S * 5/2017 Sloan D13/107
 D794,557 S * 8/2017 Kim D13/108
 D795,182 S * 8/2017 Akana D13/108
 D796,433 S * 9/2017 Langhammer D13/108
 D797,042 S * 9/2017 Miller D13/107
 D806,020 S * 12/2017 Lu D13/107
 D810,015 S * 2/2018 Carreon D13/108
 D811,326 S * 2/2018 Woo D13/108

D813,239 S * 3/2018 Akana D14/432
 D832,264 S * 10/2018 Kim D14/434
 D839,188 S * 1/2019 Akana D13/108
 D839,189 S * 1/2019 Miller D13/108
 D839,191 S * 1/2019 Akana D13/108
 D849,683 S * 5/2019 Lee D13/108
 D850,370 S * 6/2019 Lee D13/108
 D855,567 S * 8/2019 Cai D13/108

OTHER PUBLICATIONS

“[Review] High-Speed Smart Phone Smart Wireless Charging Pad ‘Neo Quick WC110’” [2017] www.kr.aving.net Jun. 26, 2017 <<http://kr.aving.net/news/view.php?articleId=1379040>>.
 Sangwoo “Belkin Boost Up Wireless Charging Pad Review I just need to release the iPhone X” [2018] www.thegear.co.kr Jan. 10, 2018 <<http://thegear.co.kr/15619>>.
 “Wireless Charging Pad for iPhone” [2017] www.funtenna.funshop.co.kr Sep. 14, 2017 <<http://funtenna.funshop.co.kr/article/9441>>.
 Kwak “How To Use Galaxy S7 Rapid Wireless Charger Correctly?” [2016] www.smartdevice.kr Apr. 17, 2016 <<http://smartdevice.kr/1908>>.

* cited by examiner

FIG. 1

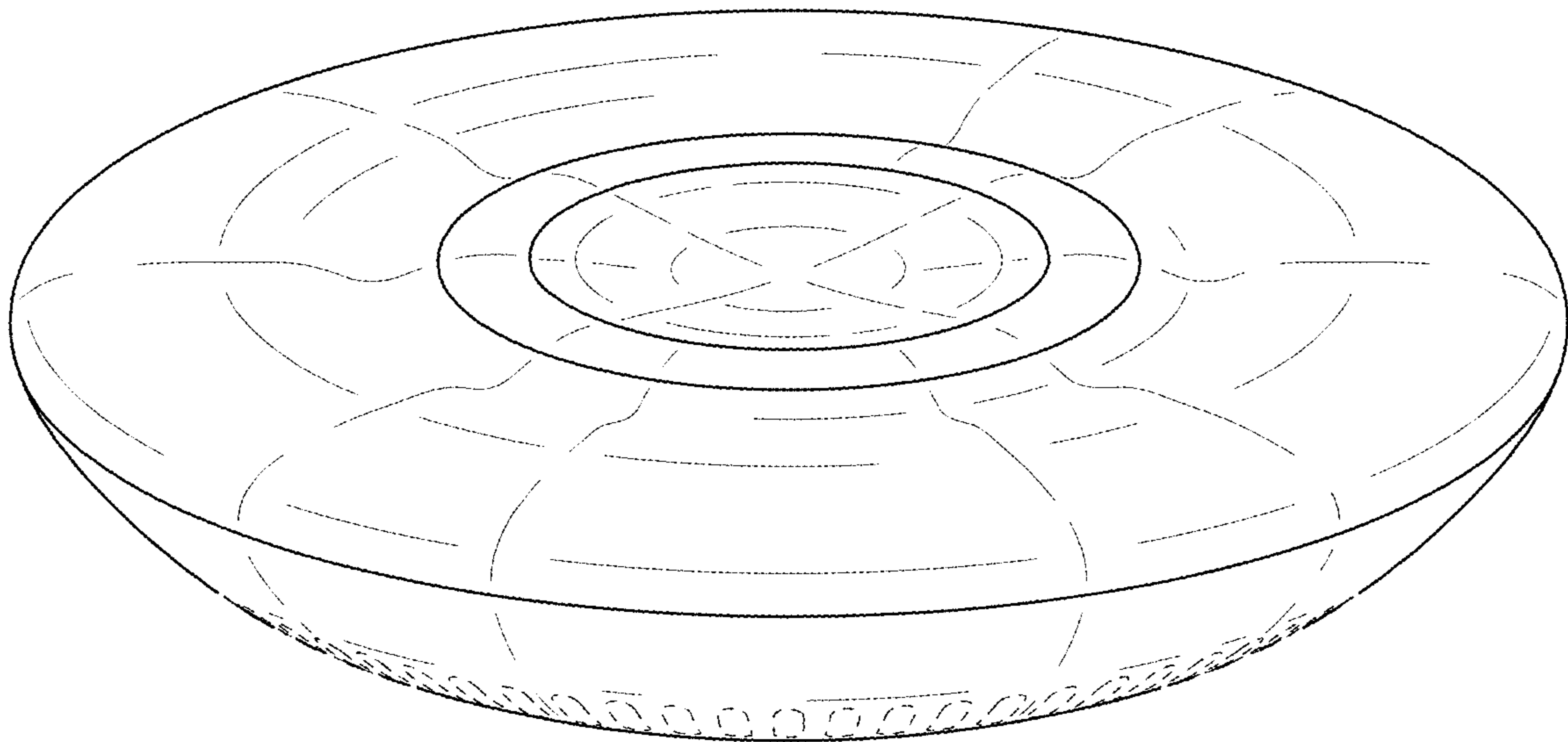


FIG. 2

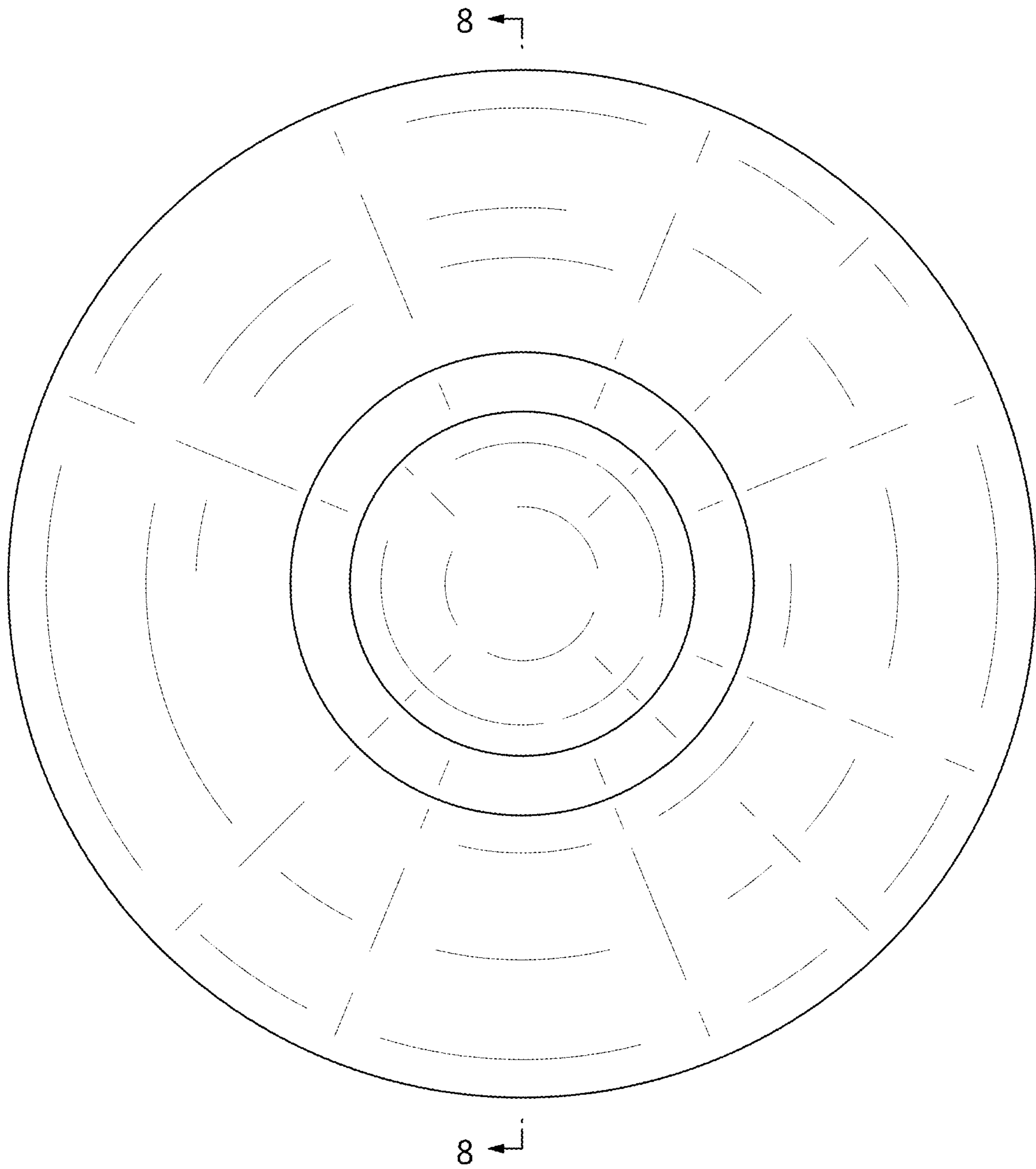


FIG. 3

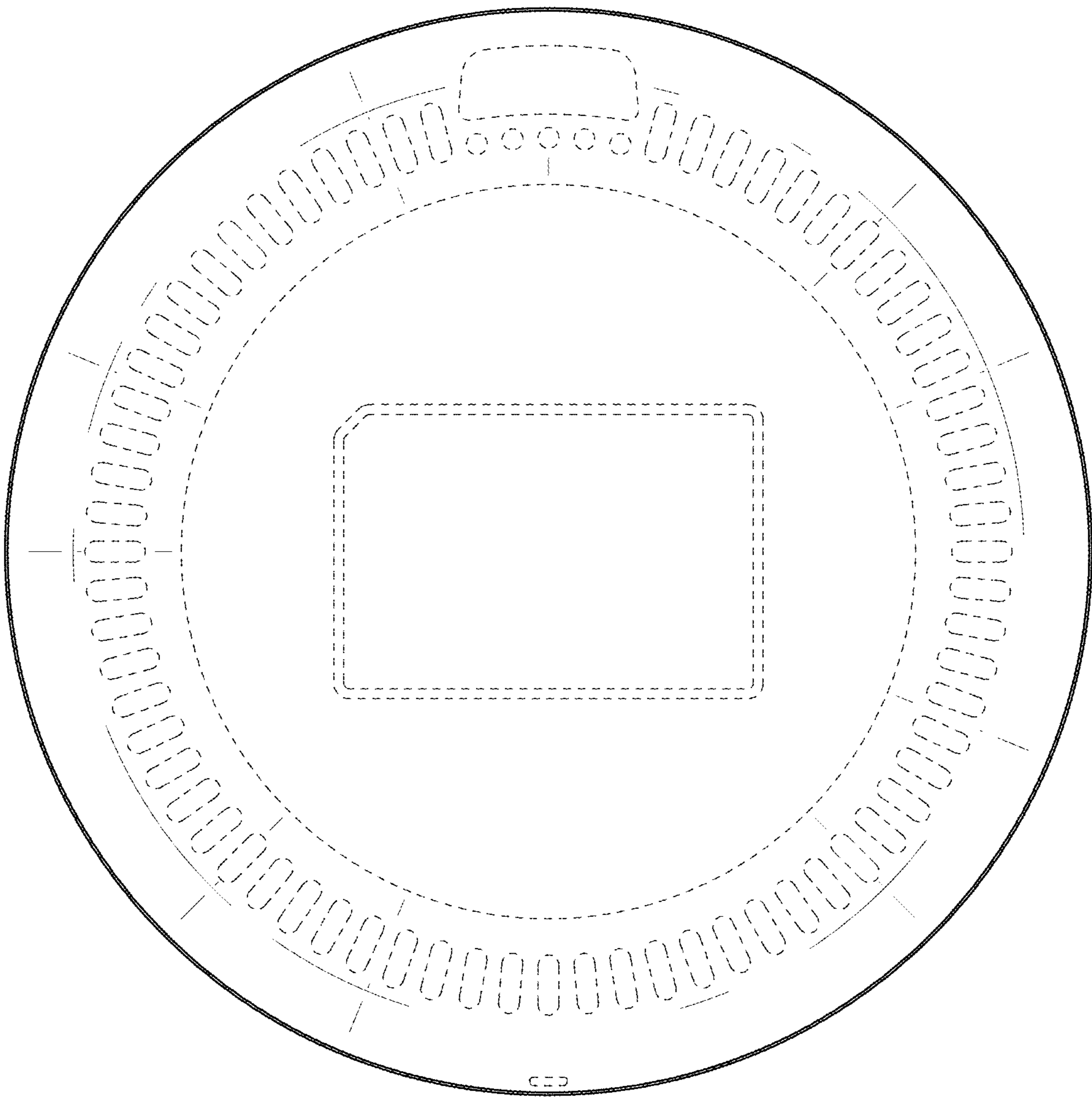


FIG. 4

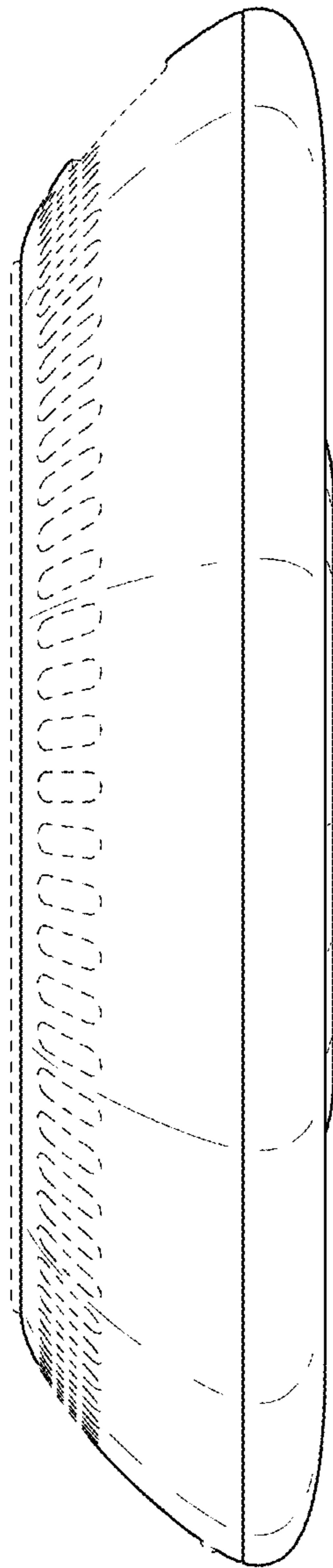


FIG. 5

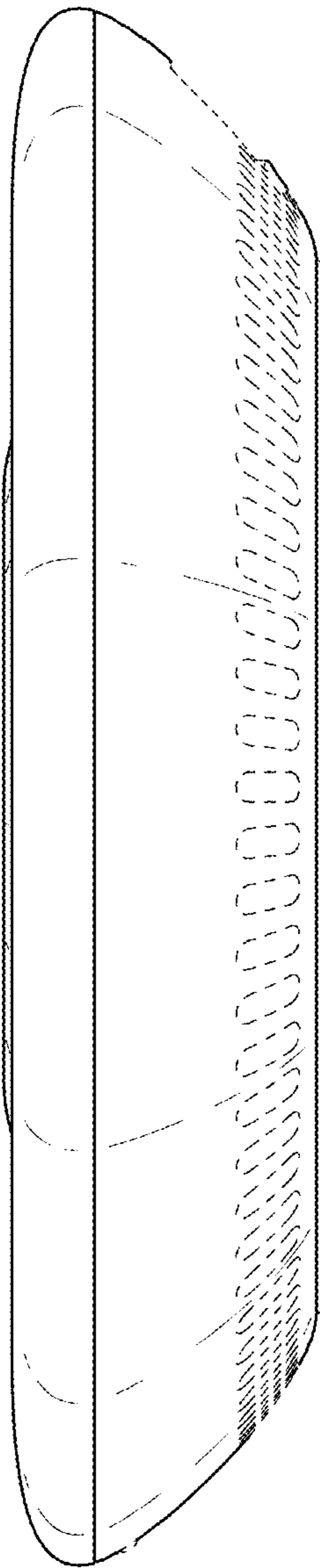


FIG. 6

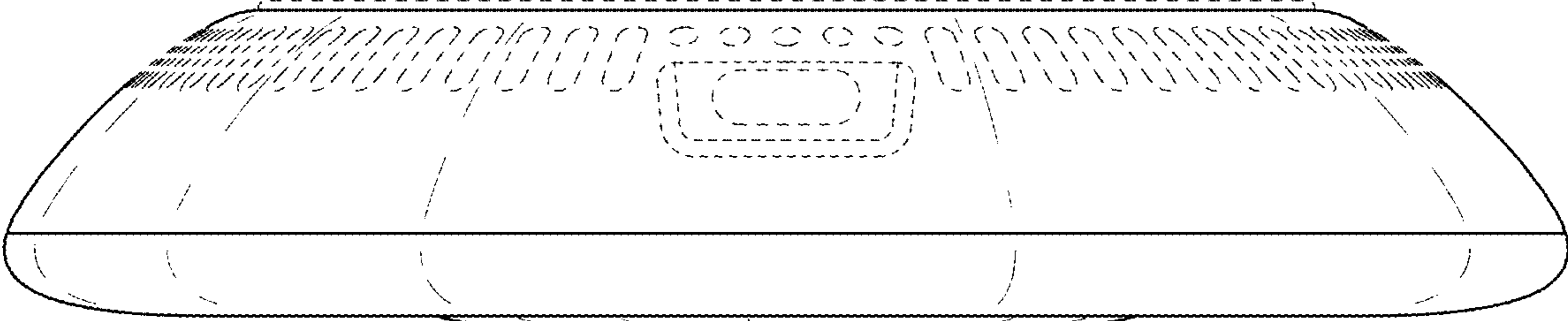


FIG. 7

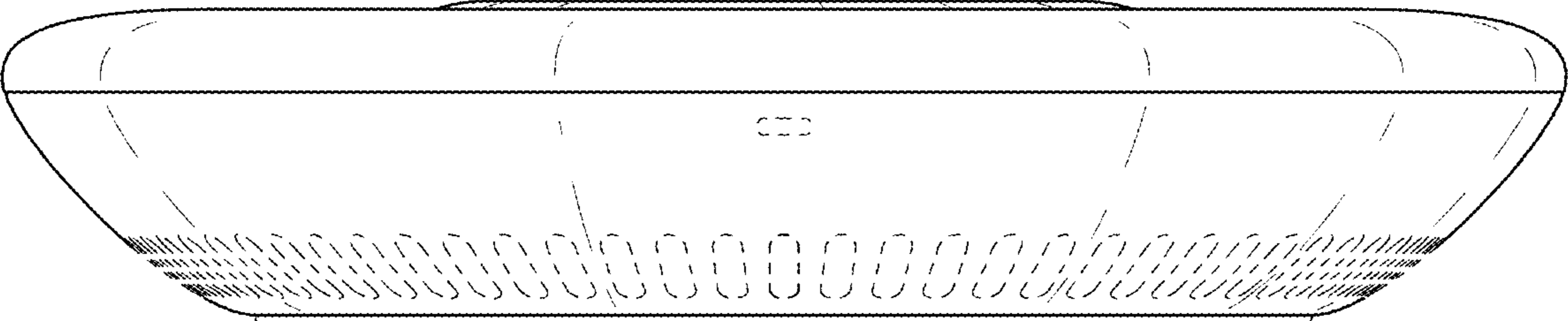


FIG. 8

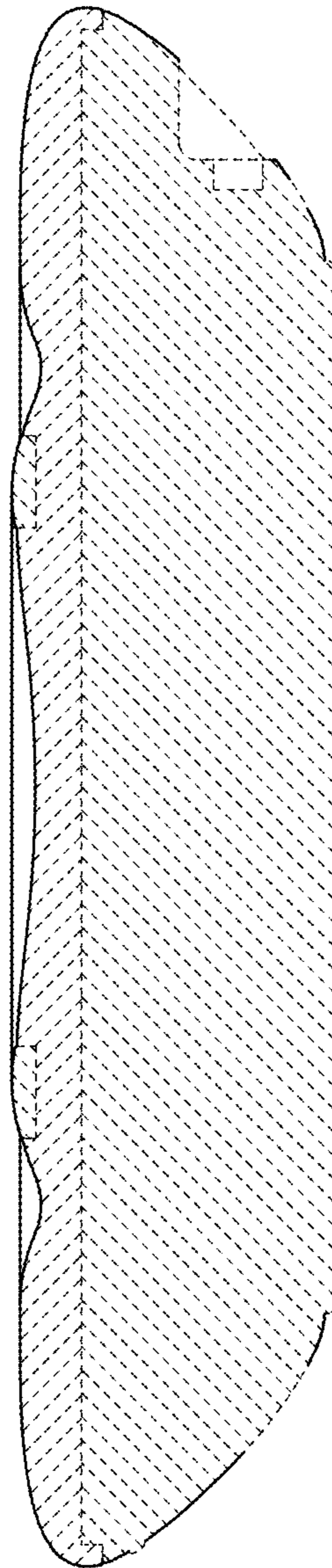


FIG. 9

