



US00D872014S

(12) **United States Design Patent**
Zhang et al.

(10) **Patent No.:** **US D872,014 S**
(45) **Date of Patent:** **** Jan. 7, 2020**

(54) **WIRELESS CHARGER**

(71) Applicant: **Ugreen Group Limited**, Shenzhen (TW)

(72) Inventors: **Qingsen Zhang**, Shenzhen (CN);
Junling Chen, Shenzhen (CN);
Jianqiang Liang, Shenzhen (CN)

(**) Term: **15 Years**

(21) Appl. No.: **29/656,859**

(22) Filed: **Jul. 17, 2018**

(30) **Foreign Application Priority Data**

Jan. 18, 2018 (CN) 2018 3 0024174

(51) **LOC (12) Cl.** **13-02**

(52) **U.S. Cl.**
USPC **D13/108**; D14/253

(58) **Field of Classification Search**
USPC D13/103, 107-108, 110, 118-119, 184,
D13/199; D14/251, 253, 432, 434
CPC H02J 7/00; H02J 7/0003; H02J 7/0011;
H02J 7/0013; H02J 7/025; H02J 7/0054;
H02J 7/0055; H02J 7/0057; H02J 5/00;
H02J 5/005; H02J 50/00; H02J 50/10;
H02J 50/12; H02J 50/50; H02J 50/80;
H01M 10/46; H01M 10/465; H01M
2200/30; H01M 2250/30

See application file for complete search history.

(56) **References Cited**

U.S. PATENT DOCUMENTS

D489,322 S * 5/2004 Sawai D13/108
7,296,771 B2 * 11/2007 Kalis B60R 11/0258
248/205.5

D570,836 S * 6/2008 Chen D14/253
D603,322 S * 11/2009 Nicieja D12/415
D654,119 S * 2/2012 Lin D14/434
D654,120 S * 2/2012 Lin D14/434
D705,211 S * 5/2014 Huang D14/253
D709,066 S * 7/2014 Byun D14/253
D713,398 S * 9/2014 Alesi D14/253
D718,612 S * 12/2014 McSweyn D8/363
D767,556 S * 9/2016 Lee D12/415
D778,713 S * 2/2017 McSweyn D12/415
D784,923 S * 4/2017 Song D13/108
D804,413 S * 12/2017 McSweyn D13/108
D852,188 S * 6/2019 He D14/253
D862,454 S * 10/2019 Chun D14/253
2006/0290654 A1 * 12/2006 Wang B60R 11/0235
345/156

* cited by examiner

Primary Examiner — Rosemary K Tarcza

(74) *Attorney, Agent, or Firm* — ZANIP

(57) **CLAIM**

The ornamental design for a wireless charger, as shown and described.

DESCRIPTION

FIG. 1 is a Front Perspective view of a wireless charger showing my new design;

FIG. 2 is a Rear Perspective view thereof;

FIG. 3 is a Front elevational view thereof;

FIG. 4 is a Rear elevational view thereof;

FIG. 5 is a Right side view thereof;

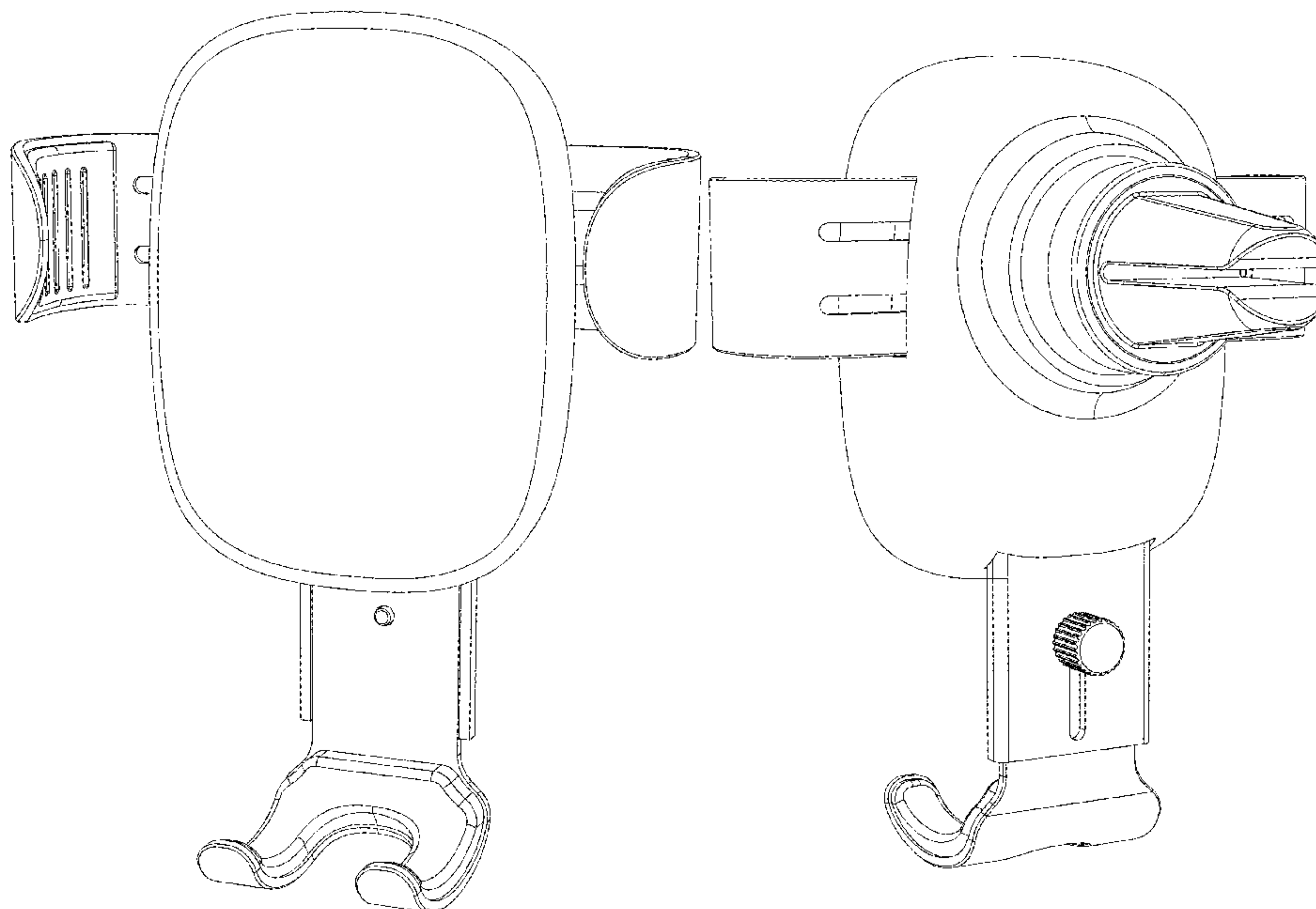
FIG. 6 is a Left side view thereof;

FIG. 7 is a Top plan view thereof; and,

FIG. 8 is a Bottom plan view thereof.

The broken lines shown in the drawings are included for the purpose of illustrating portions of the wireless charger that form no part of the claimed design.

1 Claim, 8 Drawing Sheets



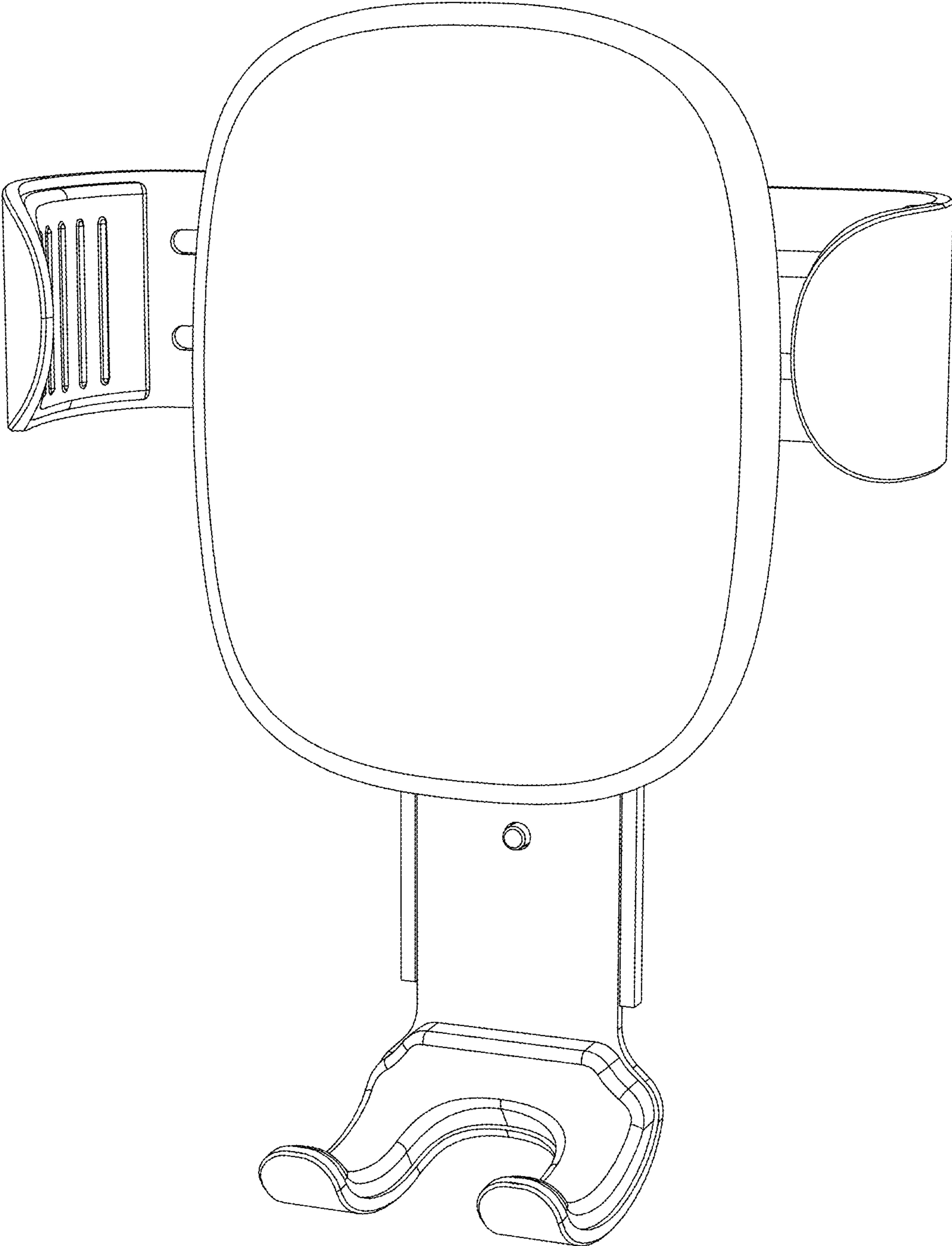


Fig. 1

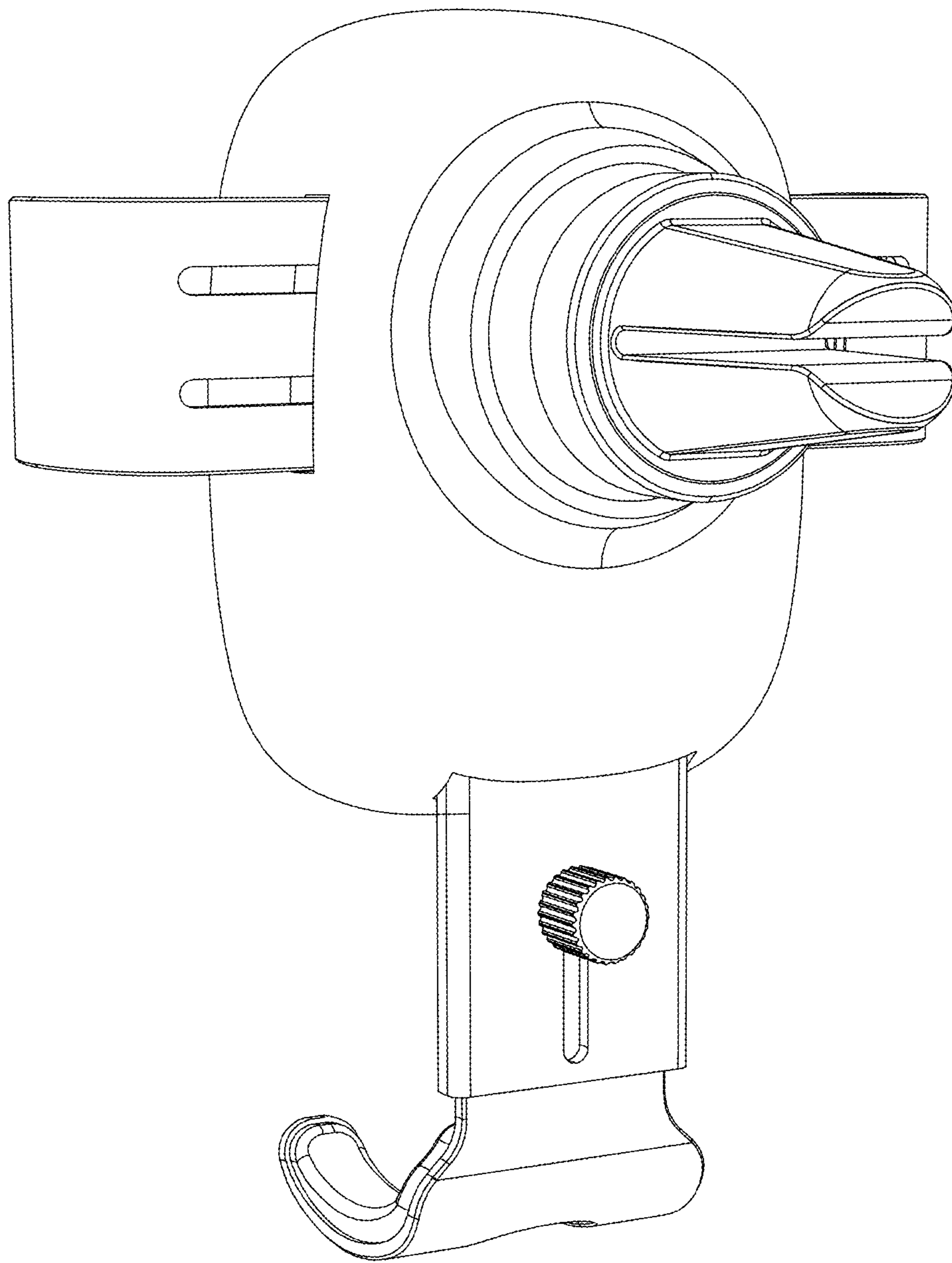


Fig. 2

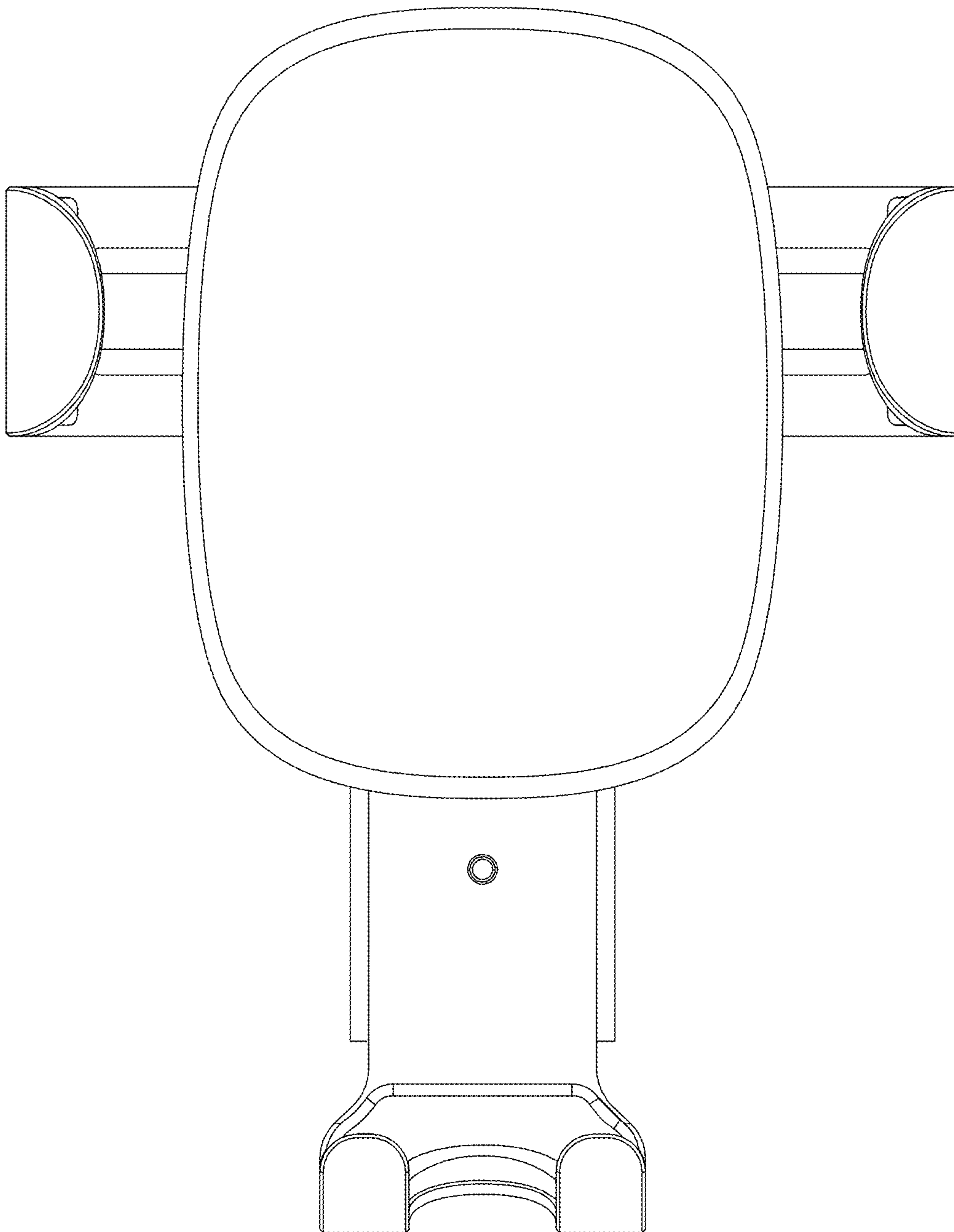


Fig. 3

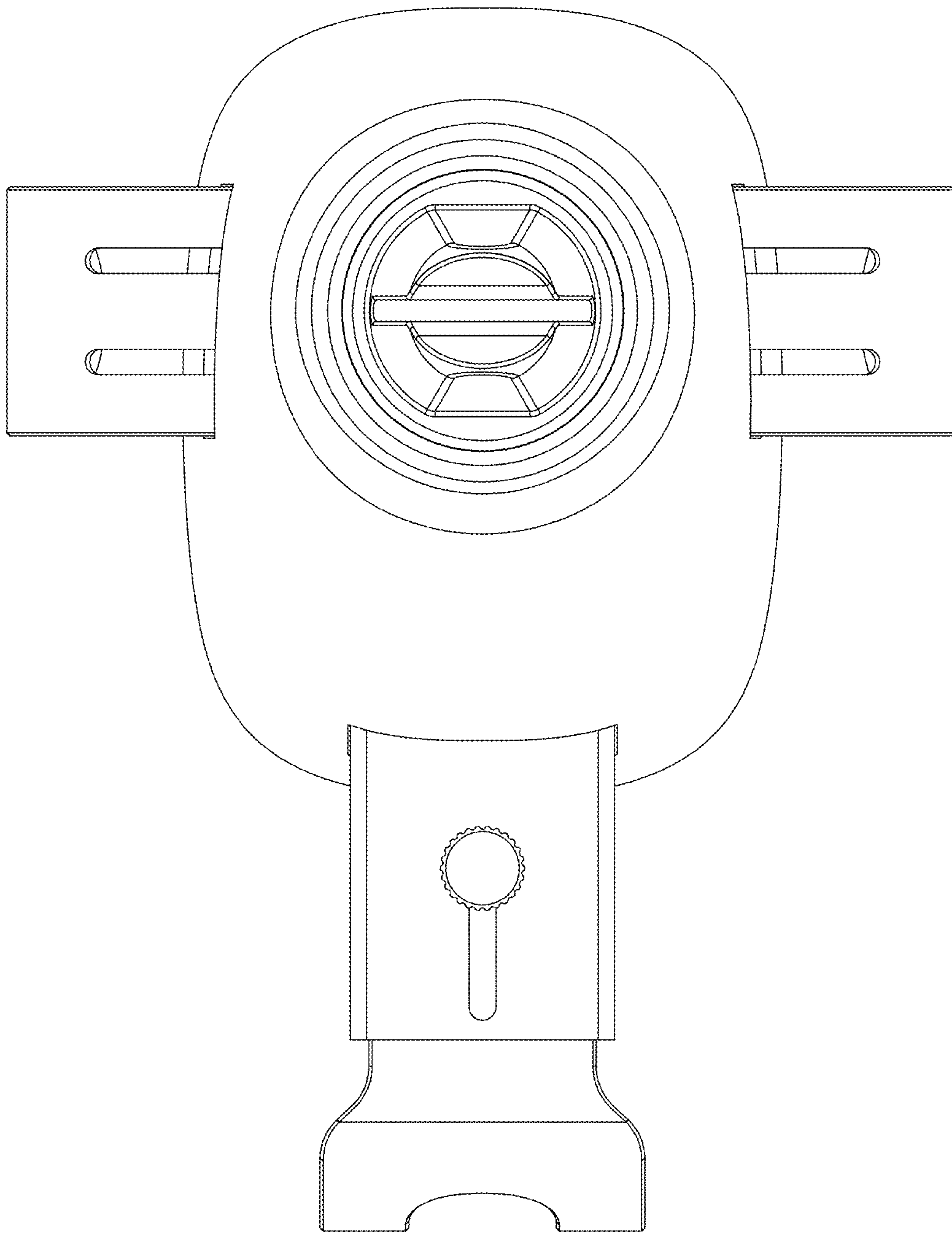


Fig. 4

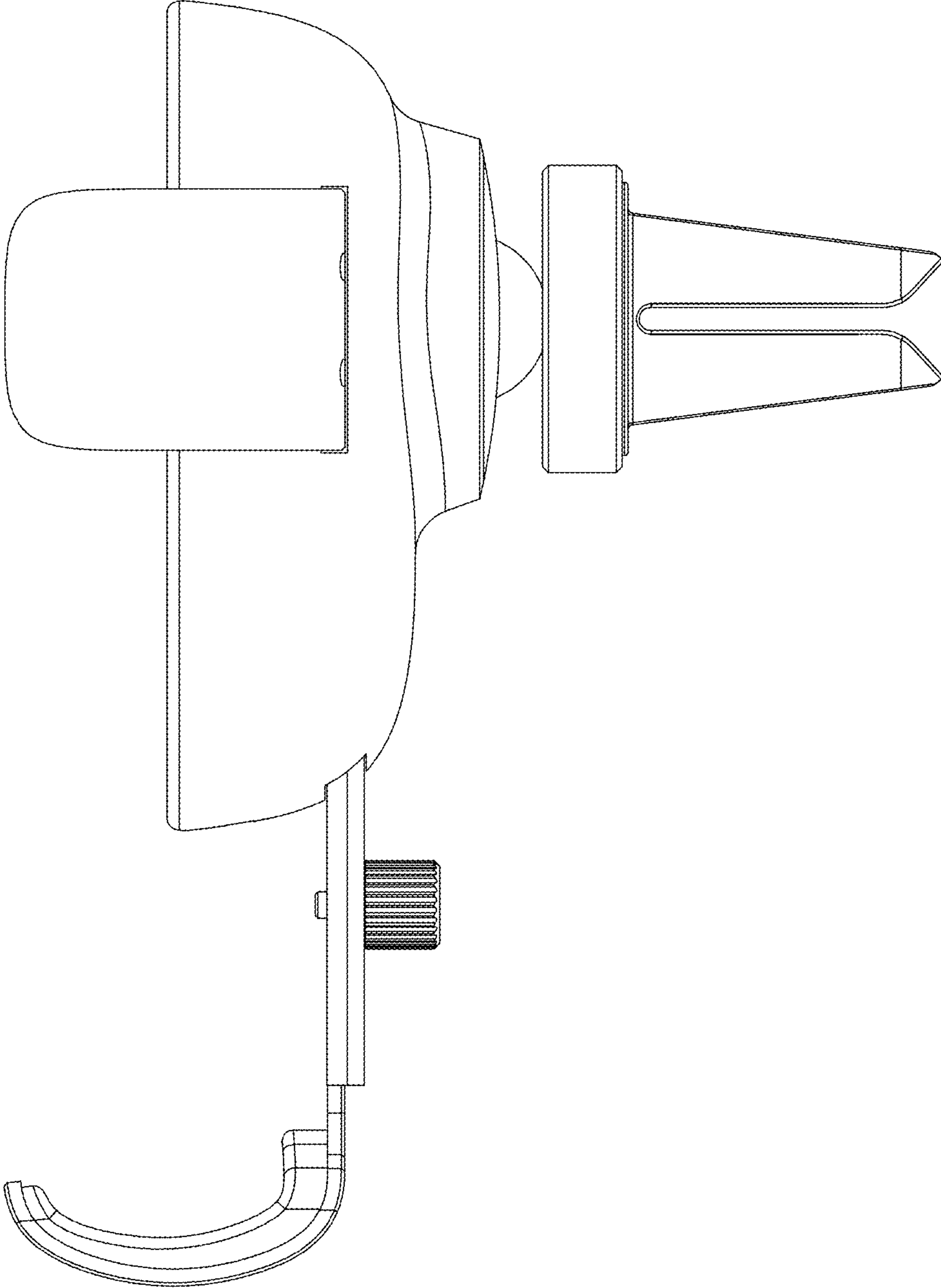


Fig. 5

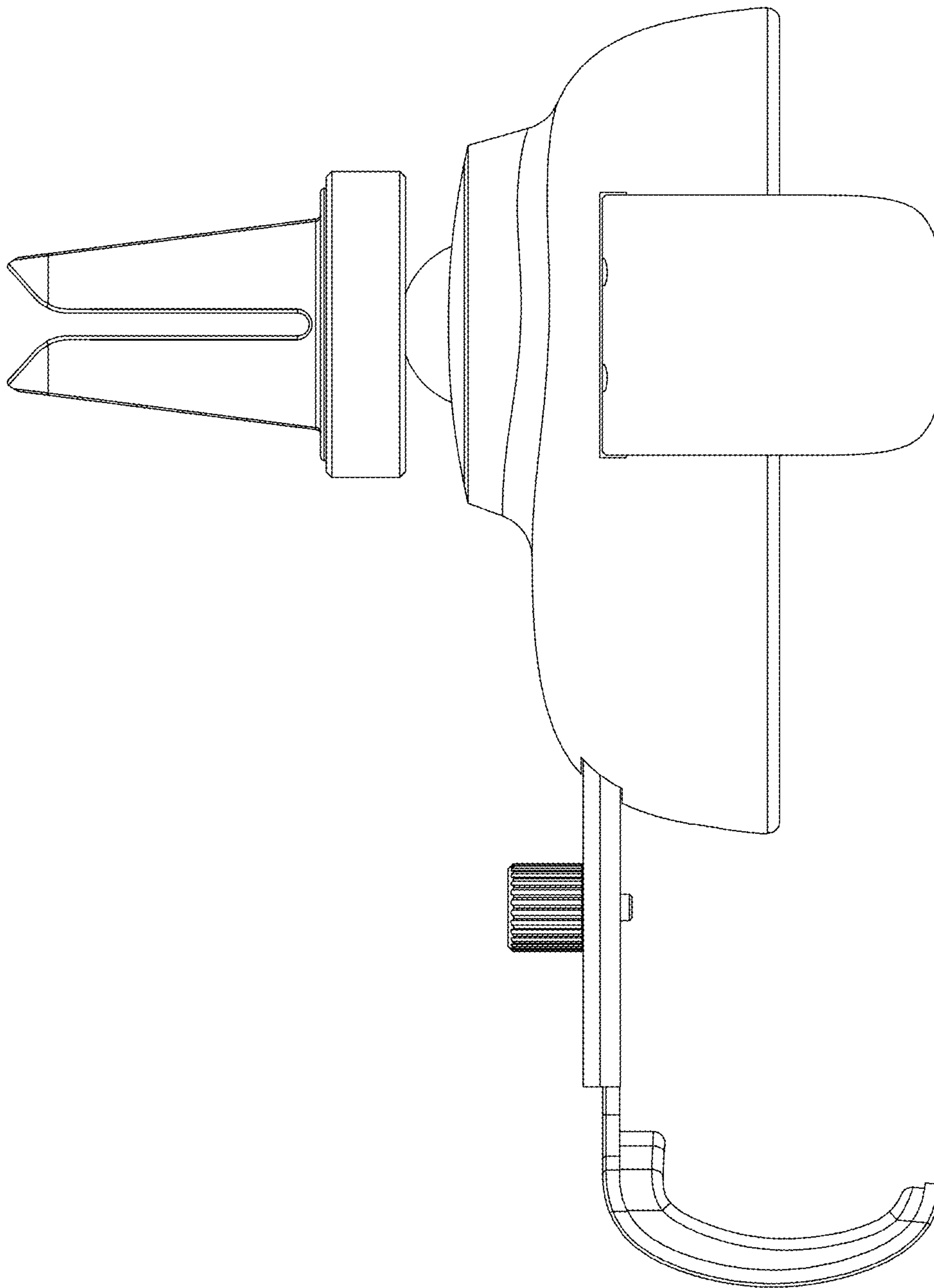


Fig. 6

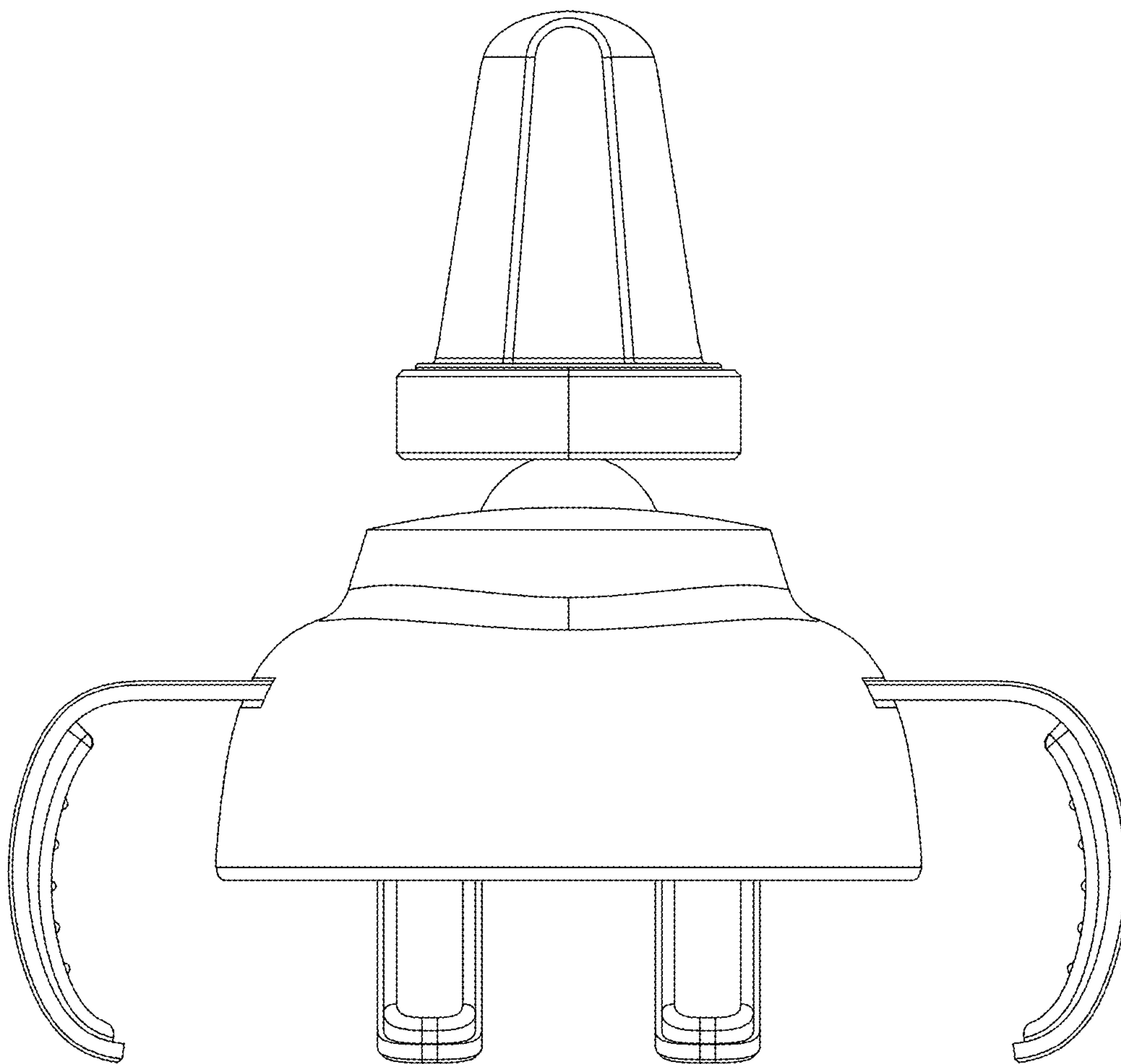


Fig. 7

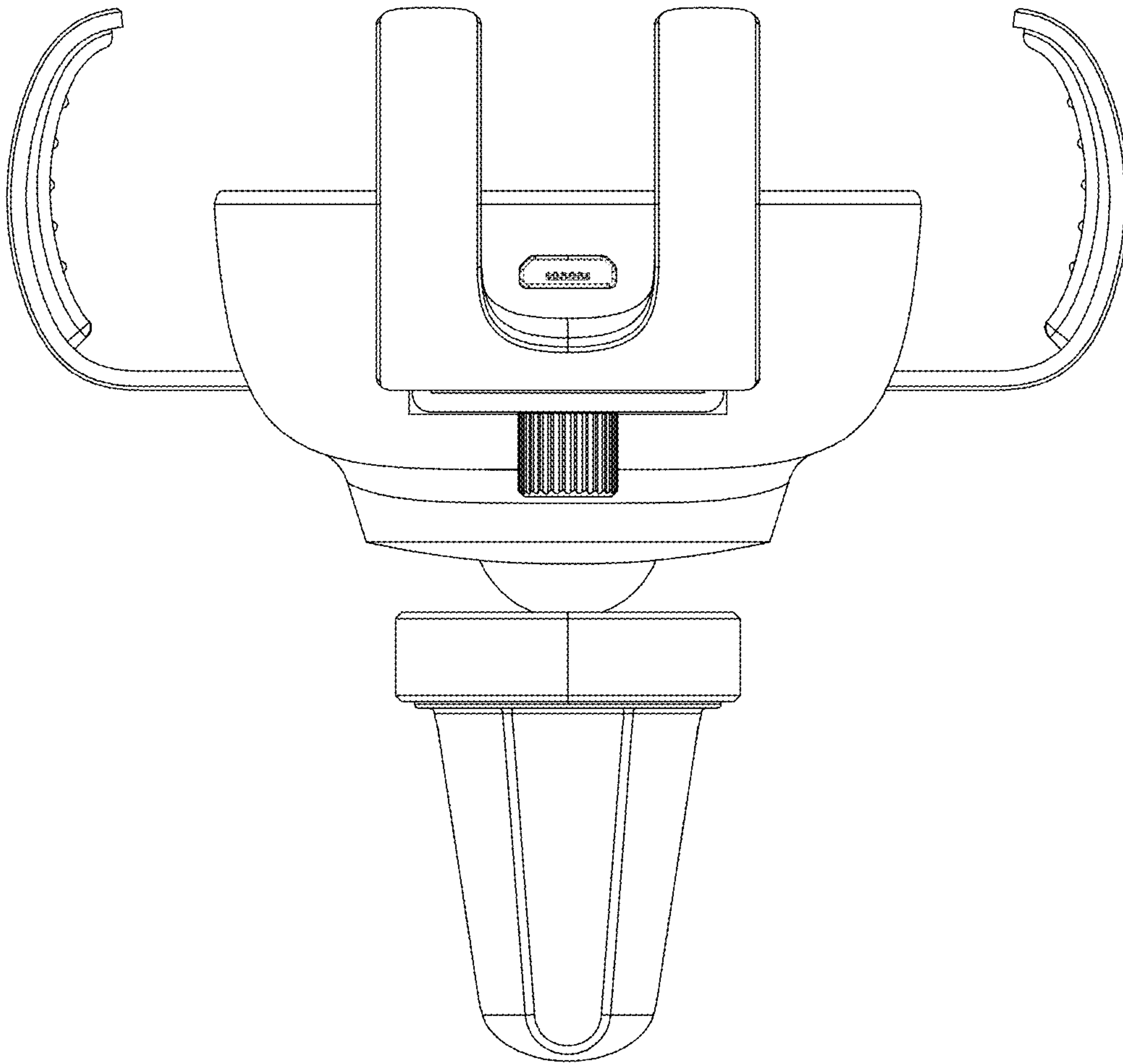


Fig. 8