



US00D872013S

(12) **United States Design Patent**
Lee

(10) **Patent No.:** **US D872,013 S**
(45) **Date of Patent:** **** Jan. 7, 2020**

(54) **POWER ADAPTER**

(71) Applicant: **Bloomy Lotus Ltd**, Hong Kong (HK)

(72) Inventor: **Leander Lee**, Hong Kong (HK)

(73) Assignee: **Bloomy Lotus Ltd**, Hong Kong (HK)

(**) Term: **15 Years**

(21) Appl. No.: **29/645,270**

(22) Filed: **Apr. 24, 2018**

(30) **Foreign Application Priority Data**

Dec. 27, 2017 (HK) 1702559

(51) **LOC (12) Cl.** **13-02**

(52) **U.S. Cl.**
USPC **D13/108**

(58) **Field of Classification Search**

USPC D13/103, 107-108, 110, 118-119, 184,
D13/199, 138.1; D14/251, 253, 432, 434
CPC H02J 7/00; H02J 7/0003; H02J 7/0011;
H02J 7/0013; H02J 7/025; H02J 7/0054;
H02J 7/0055; H02J 7/0057; H02J 5/00;
H02J 5/005; H02J 50/00; H02J 50/10;
H02J 50/12; H02J 50/50; H02J 50/80;
H01M 10/46; H01M 10/465; H01M
2200/30; H01M 2250/30

See application file for complete search history.

(56) **References Cited**

U.S. PATENT DOCUMENTS

D478,546 S * 8/2003 Andre D13/110
D544,833 S * 6/2007 Sade D13/108

D595,224 S * 6/2009 Seil D13/108
D650,330 S * 12/2011 Dong D13/108
D661,651 S * 6/2012 Smith D13/138.1
D734,260 S * 7/2015 Ceyress D13/110
D762,173 S * 7/2016 Solomon D13/110
D796,432 S * 9/2017 Liu D13/107
D820,208 S * 6/2018 Lemelson D13/110
D820,209 S * 6/2018 Lemelson D13/110
D820,213 S * 6/2018 Wang D13/138.1
D821,971 S * 7/2018 Yang D13/107
D841,582 S * 2/2019 Tian D13/108
D842,804 S * 3/2019 Tong D13/108

* cited by examiner

Primary Examiner — Rosemary K Tarcza

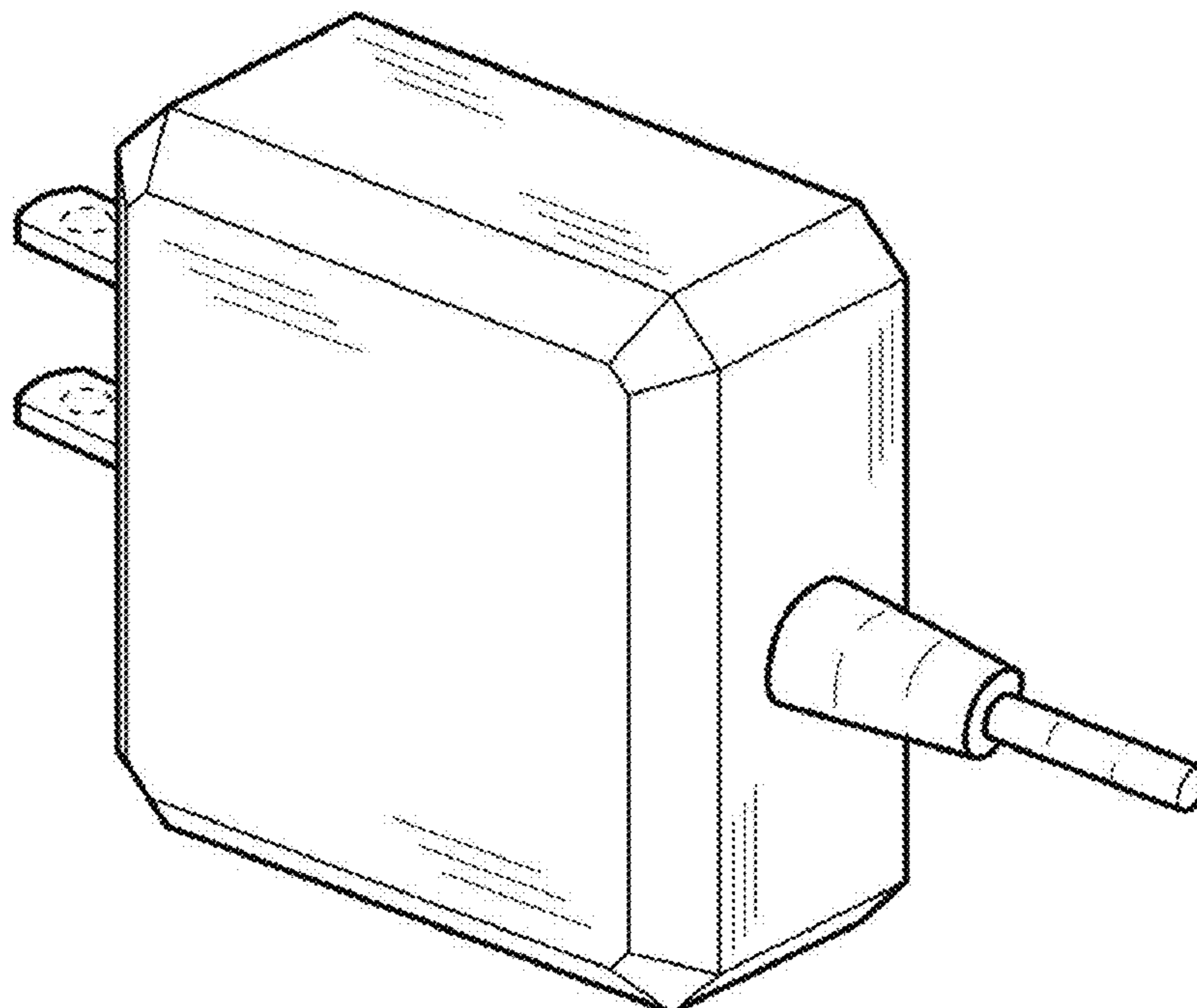
(57) **CLAIM**

The ornamental design for a power adapter, as shown and described.

DESCRIPTION

FIG. 1 is a front elevational view of a power adapter showing my new design;
FIG. 2 is a rear elevational view thereof;
FIG. 3 is a left side view thereof;
FIG. 4 is a right side view thereof;
FIG. 5 is a top plan view thereof;
FIG. 6 is a bottom plan view thereof;
FIG. 7 is a top, front and right side perspective view thereof;
and,
FIG. 8 is a top, rear and left side perspective view thereof.
The broken lines in the drawings illustrate portions of the power adapter which form no part of the claimed design.

1 Claim, 8 Drawing Sheets



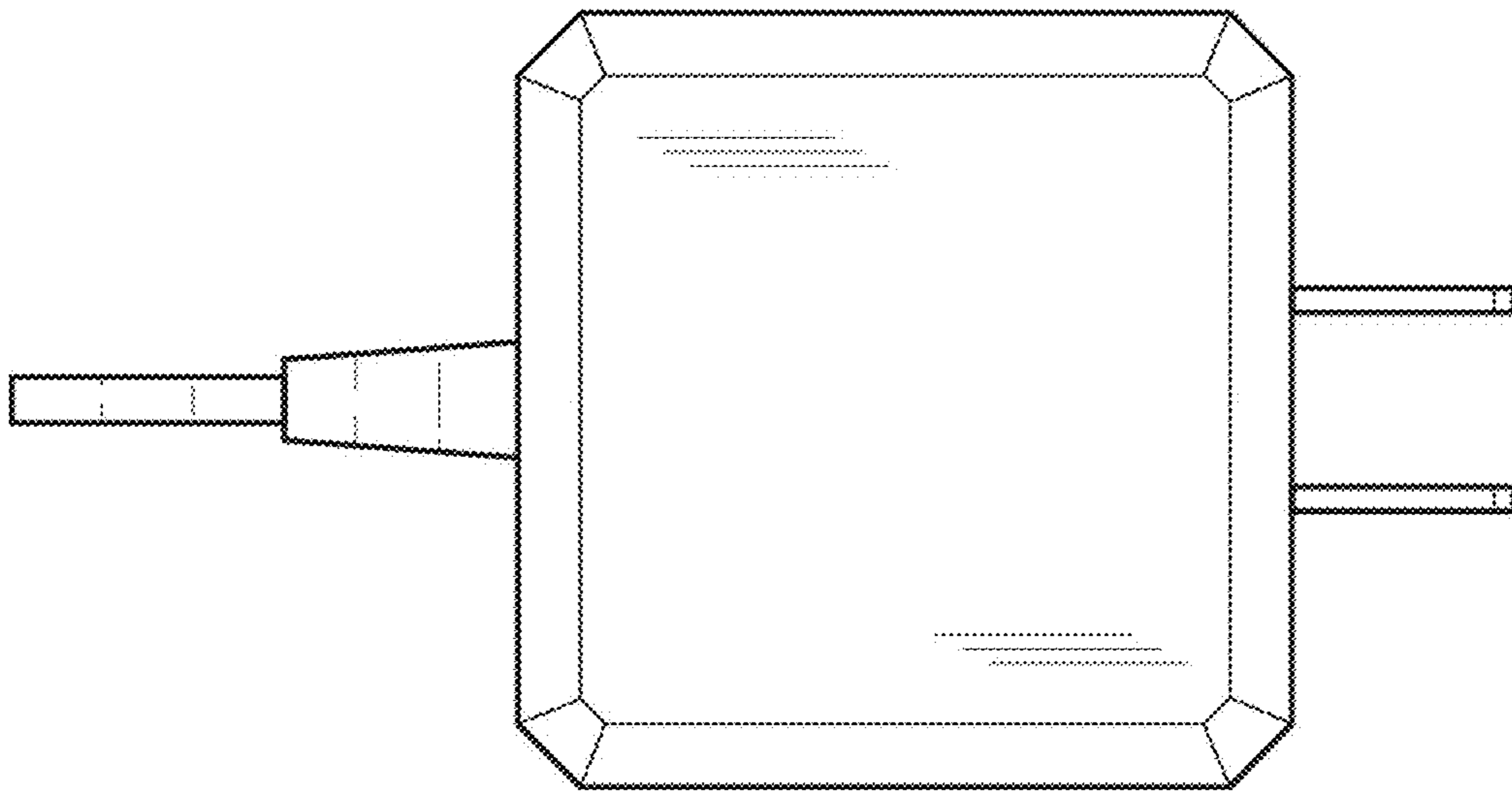


Fig. 1

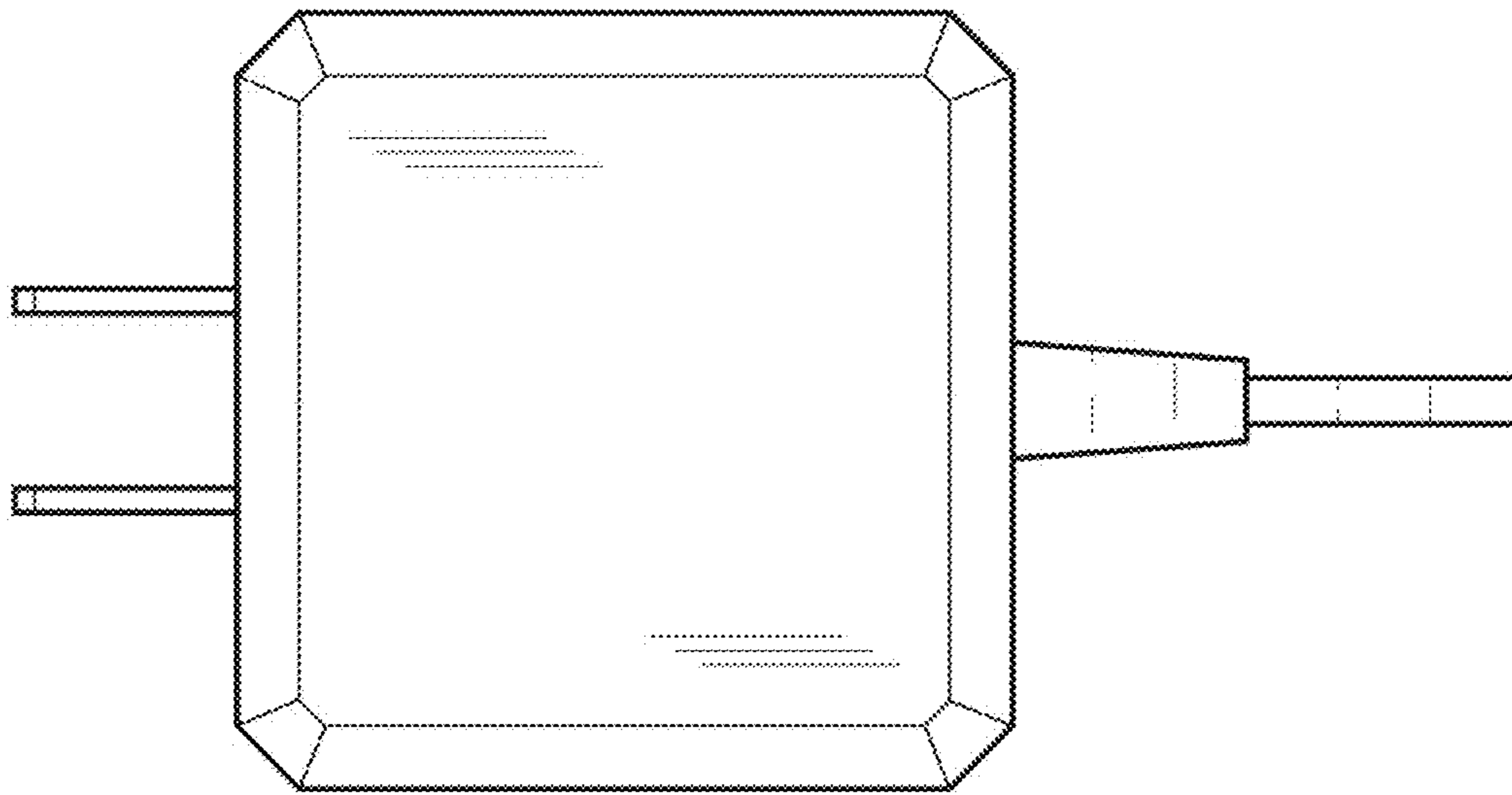


Fig. 2

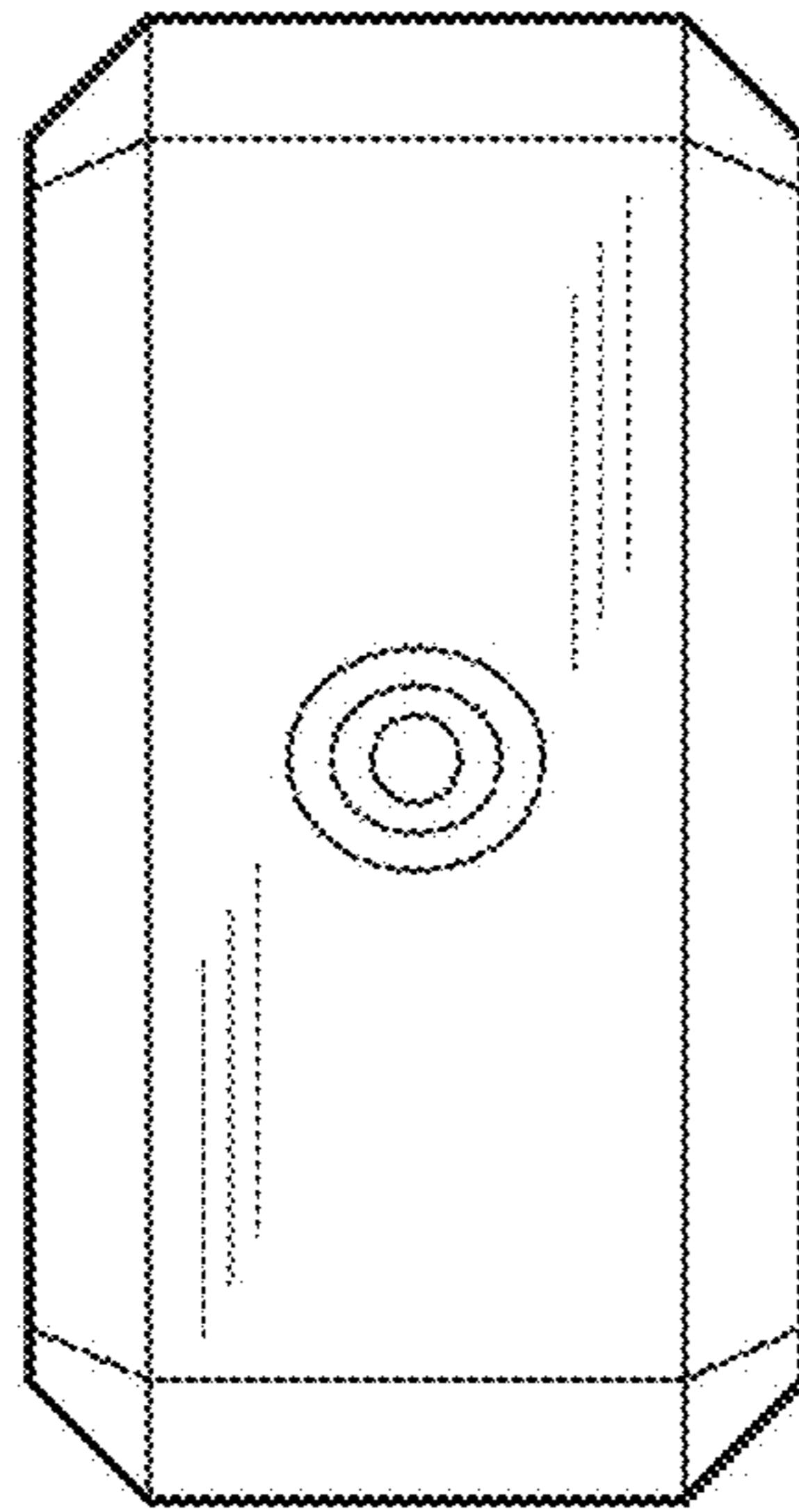


Fig. 3

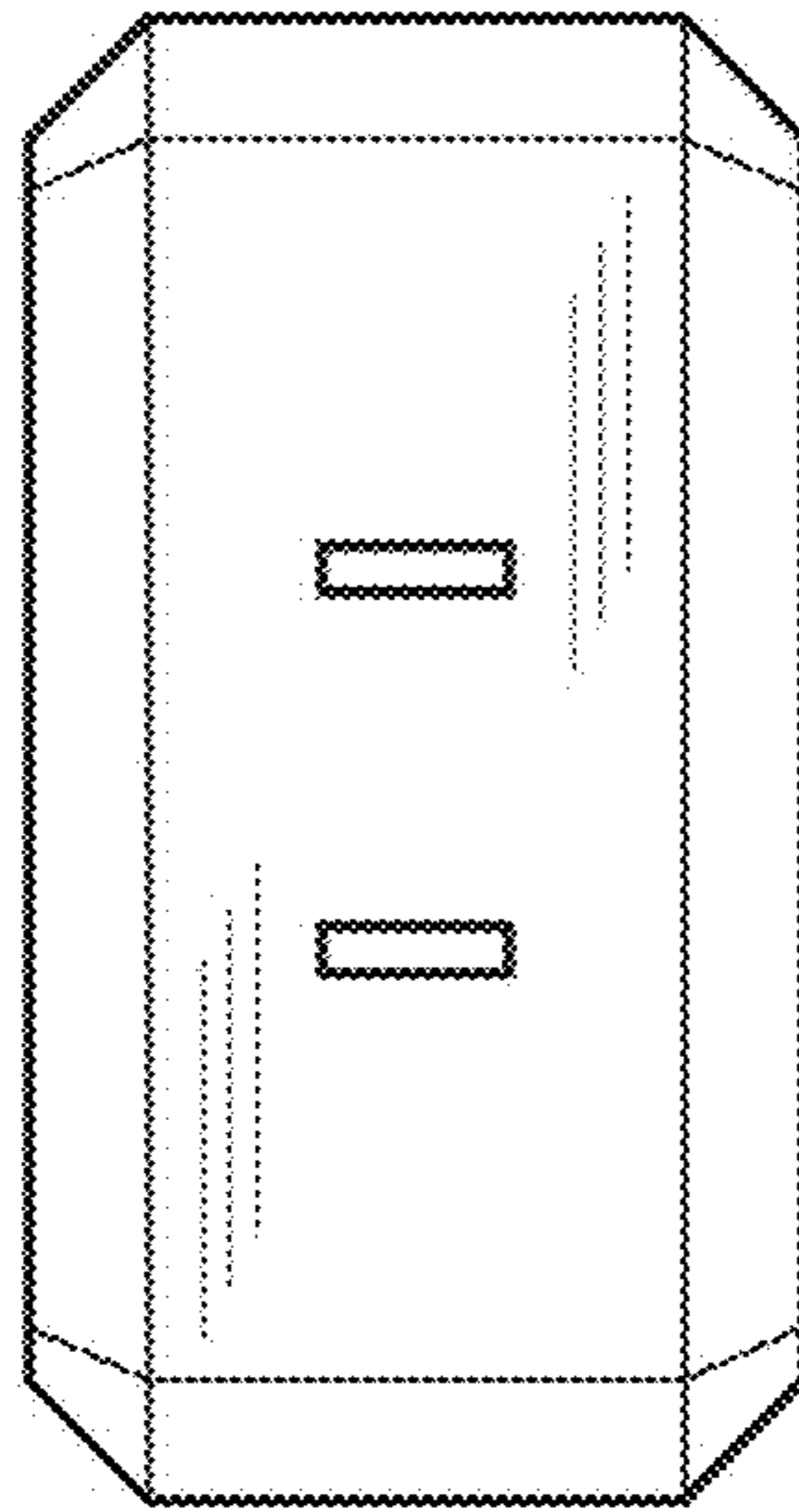


Fig. 4

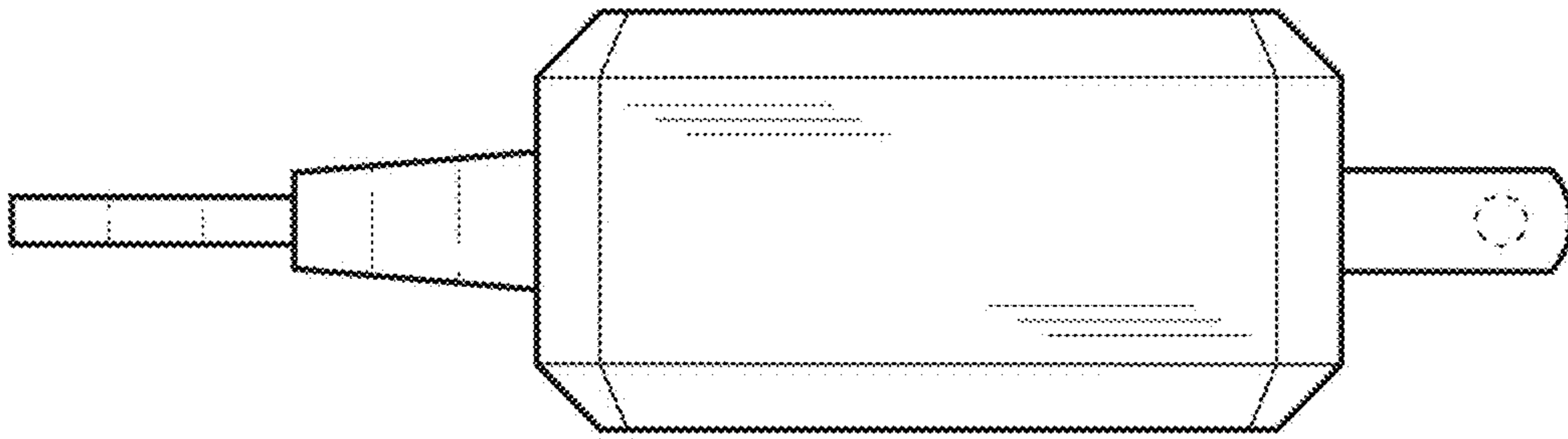


Fig. 5

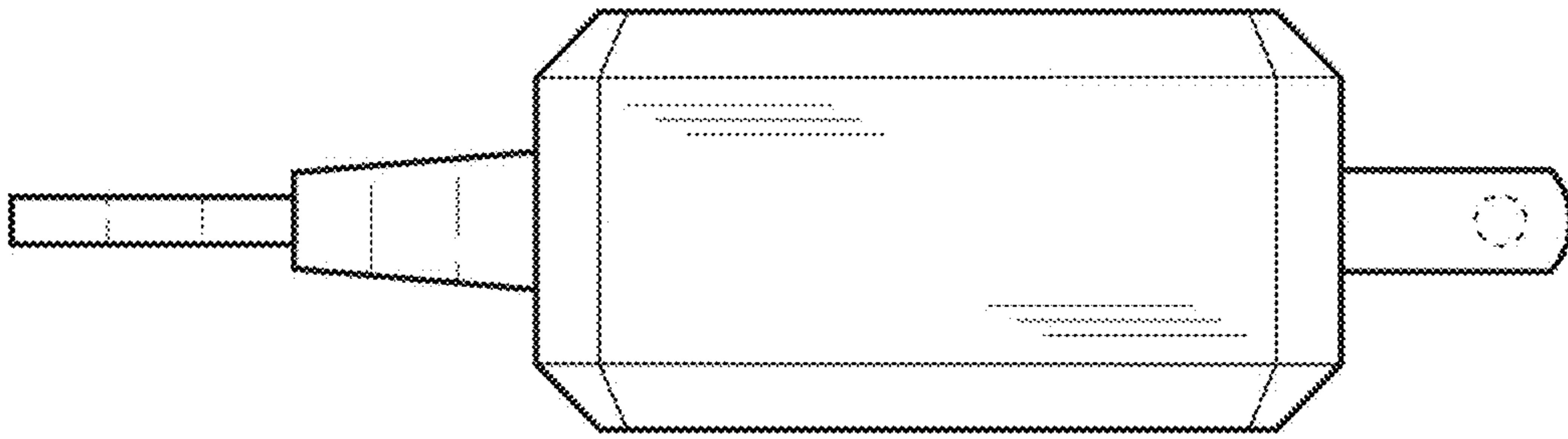


Fig. 6

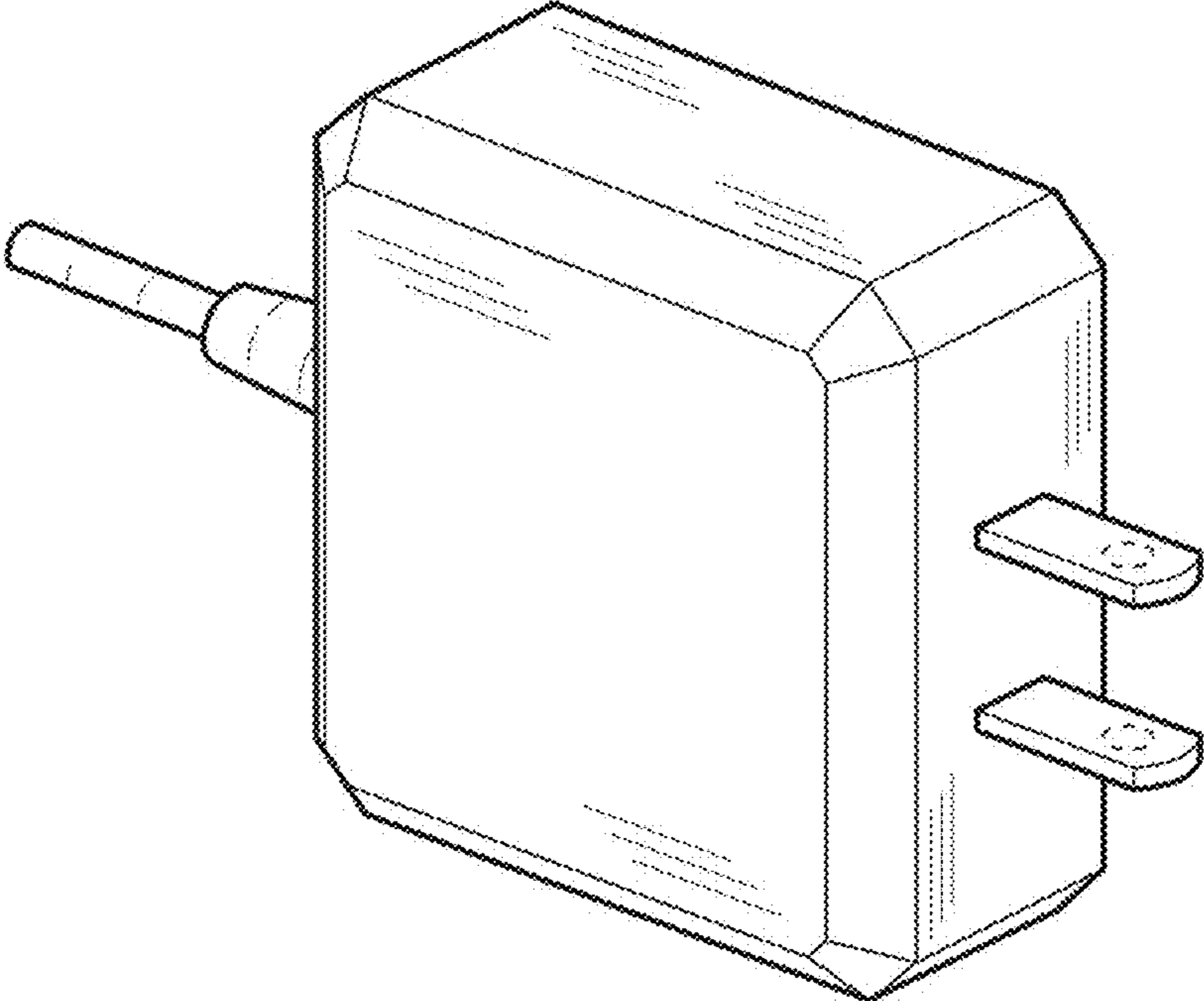


Fig. 7

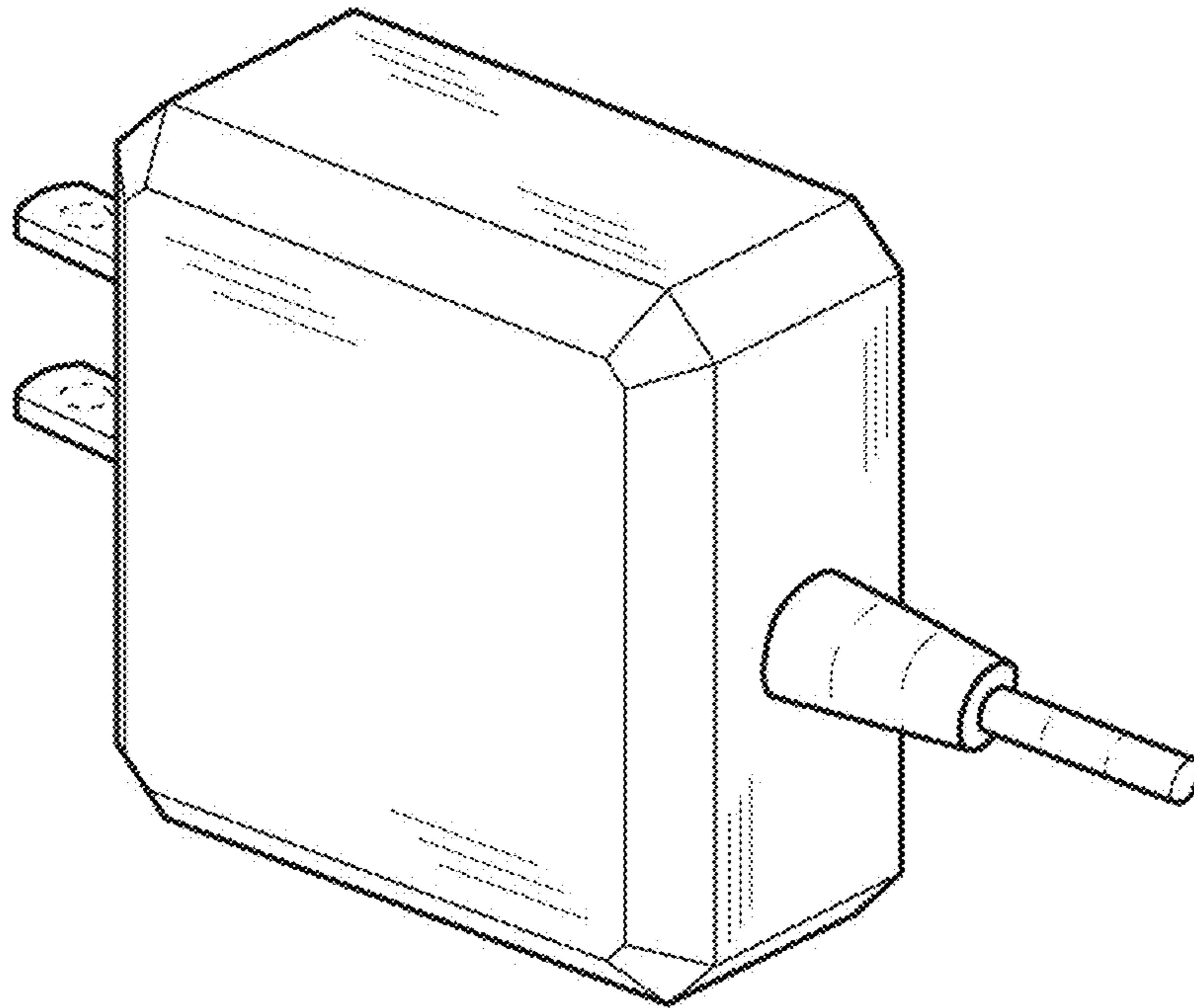


Fig. 8