



US00D872011S

(12) **United States Design Patent** (10) **Patent No.:** **US D872,011 S**
Rao (45) **Date of Patent:** **** Jan. 7, 2020**

(54) **AUTOMOBILE JUMP STARTER**

2/202; H01M 2/204; H01M 2/206; H01M 2200/30; H01M 2250/30; H01M 2250/40

See application file for complete search history.

(71) Applicant: **Guangdong Global Egrow (Zhaoqing) Cross-Border E-Commerce Co., Ltd.,**
Guangdong (CN)

(56) **References Cited**

U.S. PATENT DOCUMENTS

(72) Inventor: **Zhiwen Rao**, Jiangxi (CN)
(73) Assignee: **Guangdong Global Egrow (Zhaoqing) Cross-Border E-Commerce Co., Ltd.,**
Guangdong (CN)

D701,490 S *	3/2014	Inskeep	D13/110
D730,280 S *	5/2015	Koebler	D13/107
D742,310 S *	11/2015	Yen	D13/108
D745,455 S *	12/2015	Nook	D13/103
D746,770 S *	1/2016	Nook	D13/103
D769,188 S *	10/2016	Miller	D13/107
D780,689 S *	3/2017	Inskeep	D13/107
D786,192 S *	5/2017	Liu	D13/107
D786,790 S *	5/2017	Miller	D13/108
D797,044 S *	9/2017	Miller	D13/108
D803,151 S *	11/2017	Zhou	D13/107
D814,406 S *	4/2018	Yang	D13/107
D821,306 S *	6/2018	Liu	D13/107
D823,243 S *	7/2018	Toscani	D13/107
D838,669 S *	1/2019	Miller	D13/108
D845,229 S *	4/2019	Chen	D13/103
D851,586 S *	6/2019	Liu	D13/108

(**) Term: **15 Years**

(21) Appl. No.: **29/659,431**

(22) Filed: **Aug. 9, 2018**

(30) **Foreign Application Priority Data**

Apr. 28, 2018 (CN) 2018 3 0188866

(51) **LOC (12) Cl.** **13-02**

(52) **U.S. Cl.**
USPC **D13/107**

(58) **Field of Classification Search**
USPC D13/103, 107-110, 118-119, 184, 199;
D14/251, 253, 432, 434
CPC Y02E 60/10; Y02E 60/12; Y02E 60/122;
Y02E 60/124; Y02E 60/50; H02J 7/00;
H02J 7/0003; H02J 7/0011; H02J 7/0013;
H02J 7/0054; H02J 7/0055; H02J 7/0057;
H01M 10/44; H01M 10/46; H01M 10/465;
H01M 10/482; H01M 2/02; H01M 2/022;
H01M 2/0202; H01M 2/0207; H01M 2/0212;
H01M 2/1061; H01M 2/1022; H01M 2/1055; H01M 2/1066;
H01M 2/105; H01M 2/20; H01M

* cited by examiner

Primary Examiner — Rosemary K Tarcza
(74) *Attorney, Agent, or Firm* — JCIPRNET

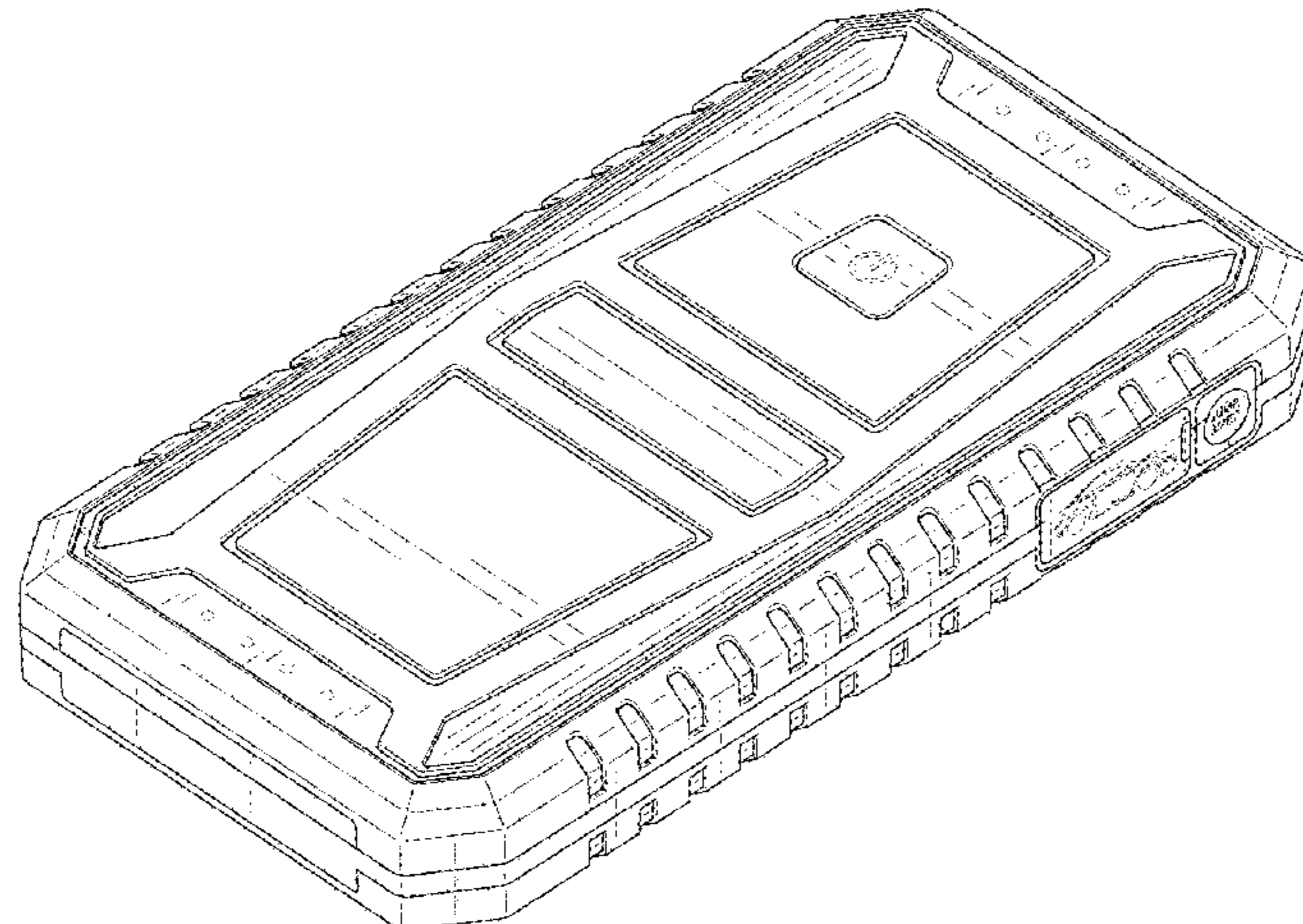
(57) **CLAIM**

The ornamental design for an automobile jump starter, as shown and described.

DESCRIPTION

FIG. 1 is a front perspective view of an automobile jump starter, showing my new design;
FIG. 2 is a rear perspective view thereof;
FIG. 3 is a front view thereof;
FIG. 4 is a rear view thereof;
FIG. 5 is a left side view thereof;
FIG. 6 is a right side view thereof;
FIG. 7 is a top view thereof; and,
FIG. 8 is a bottom view thereof.

(Continued)



The broken lines shown in the drawings are for the purpose of illustrating portions of the automobile jump starter that form no part of the claimed design.

1 Claim, 6 Drawing Sheets

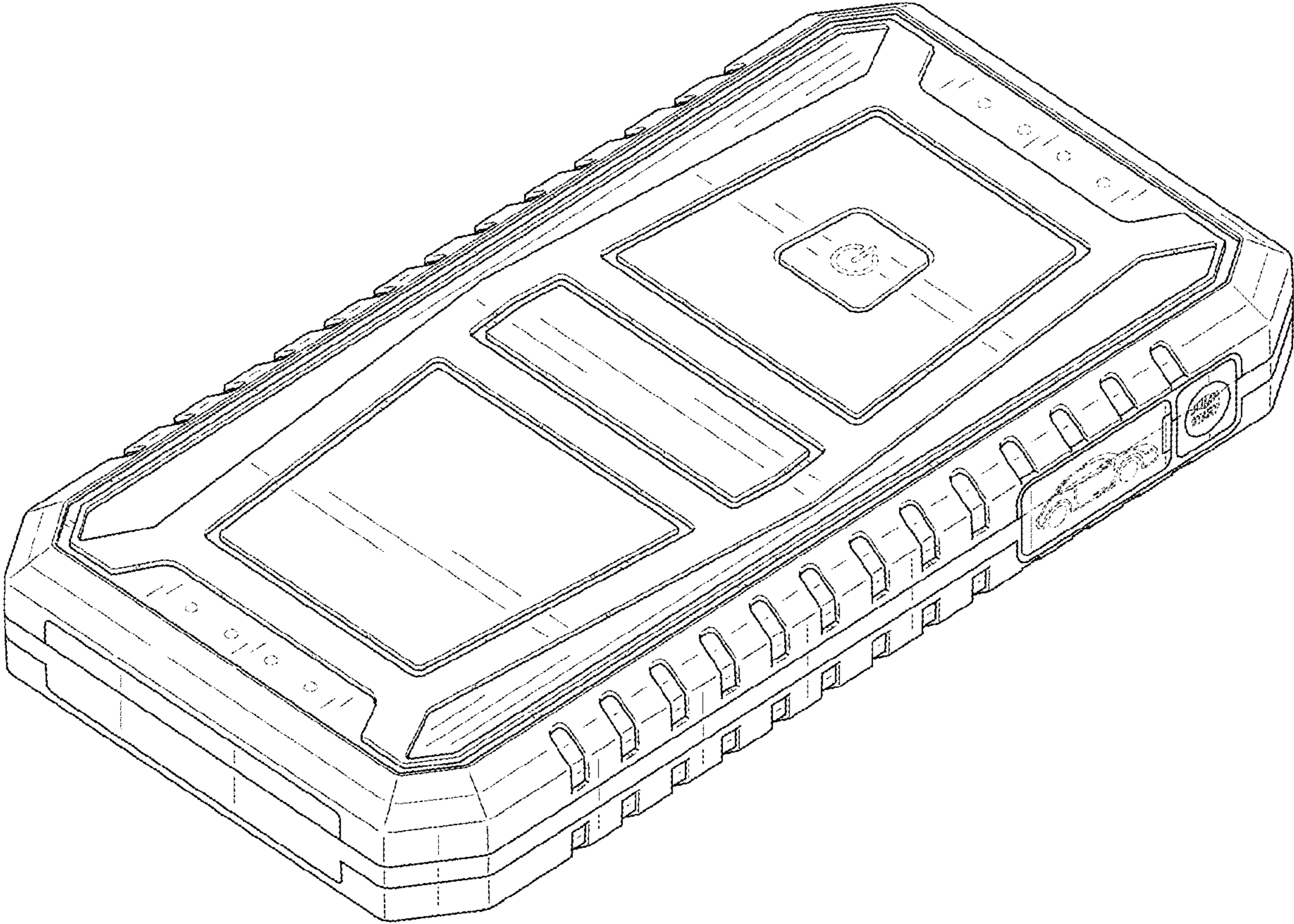


FIG. 1

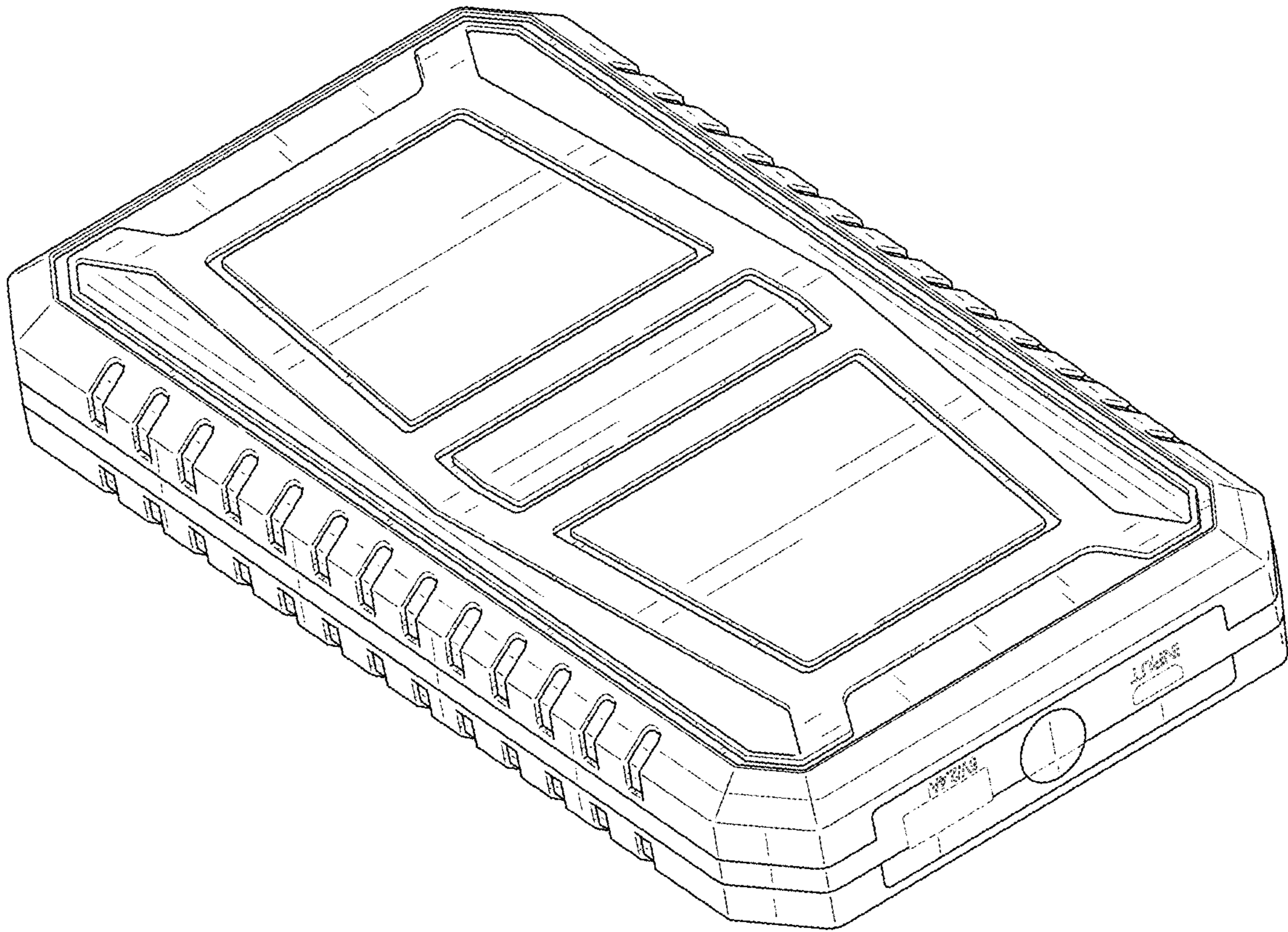


FIG. 2

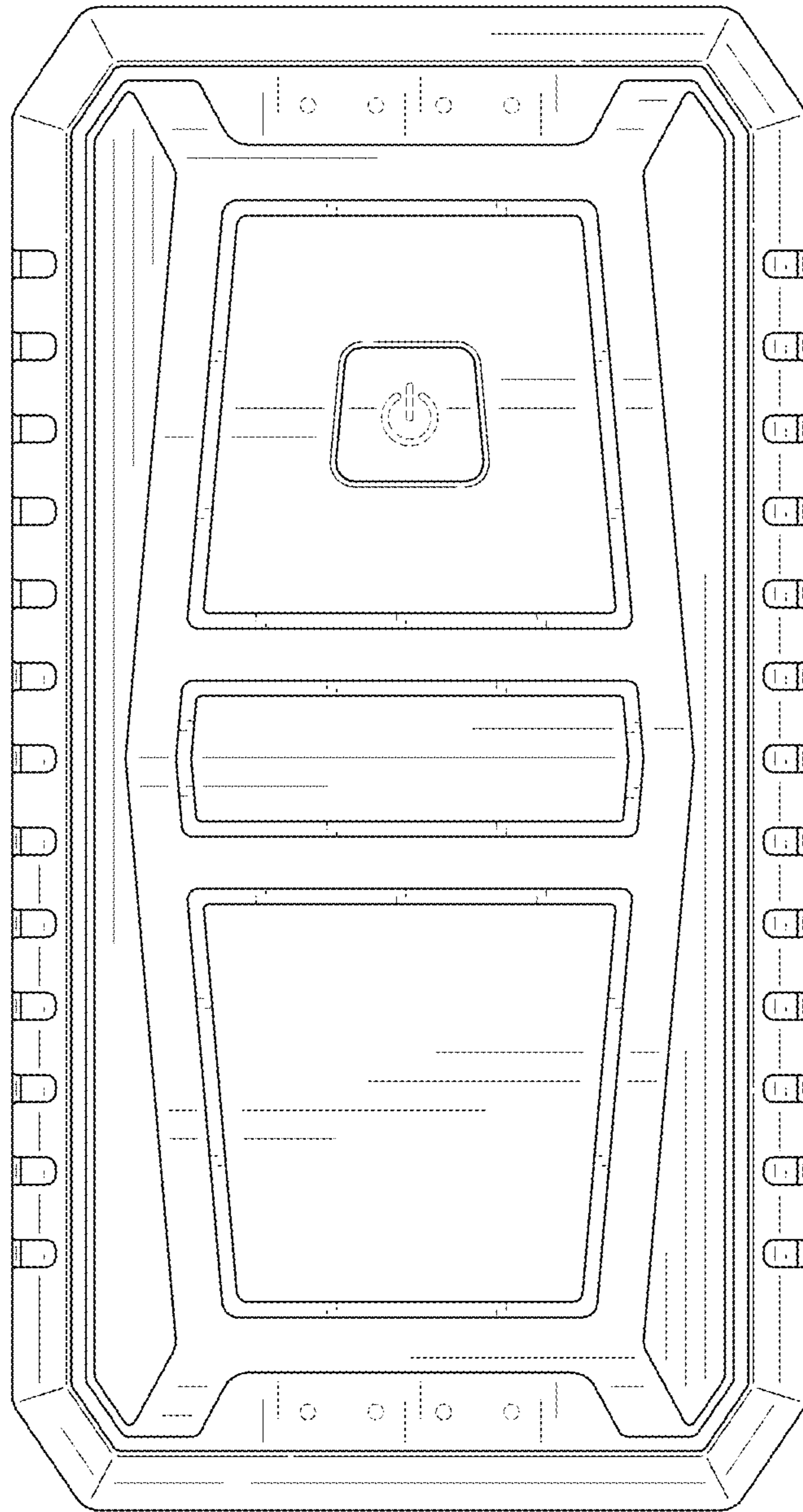


FIG. 3

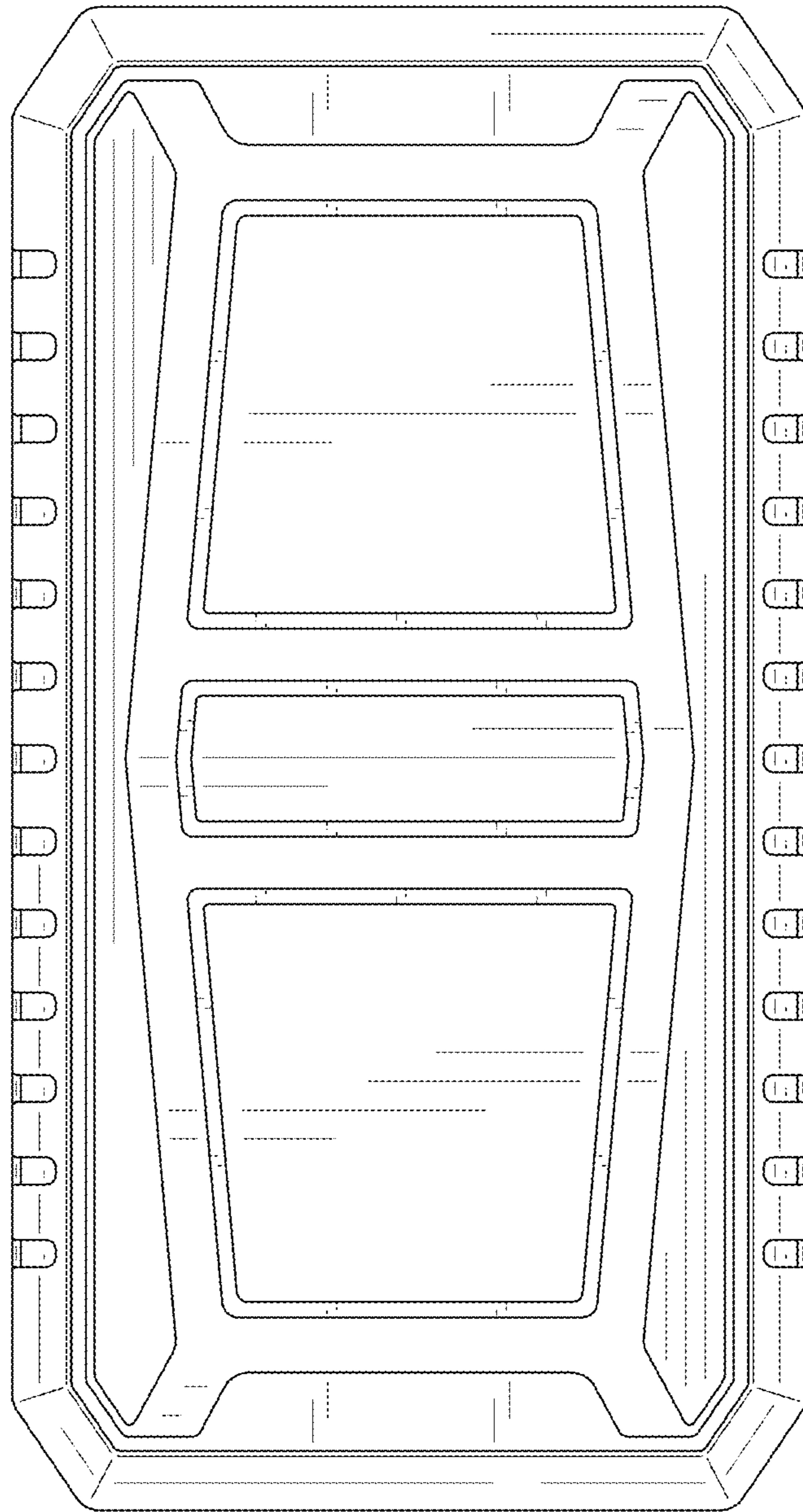


FIG. 4

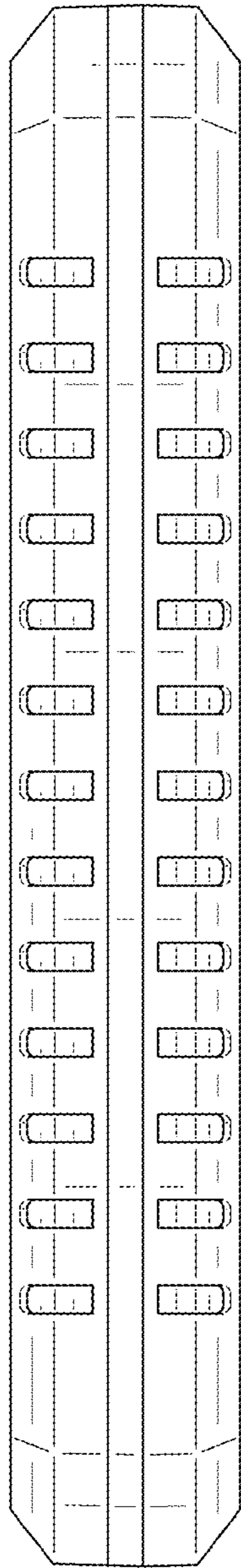


FIG. 5

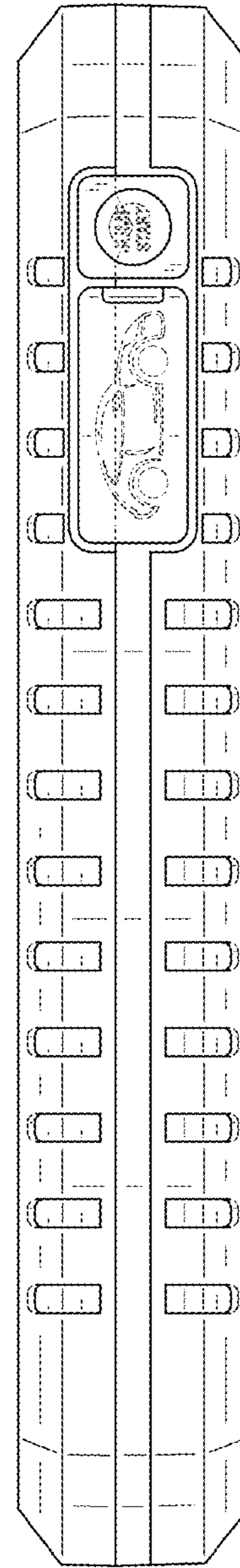


FIG. 6

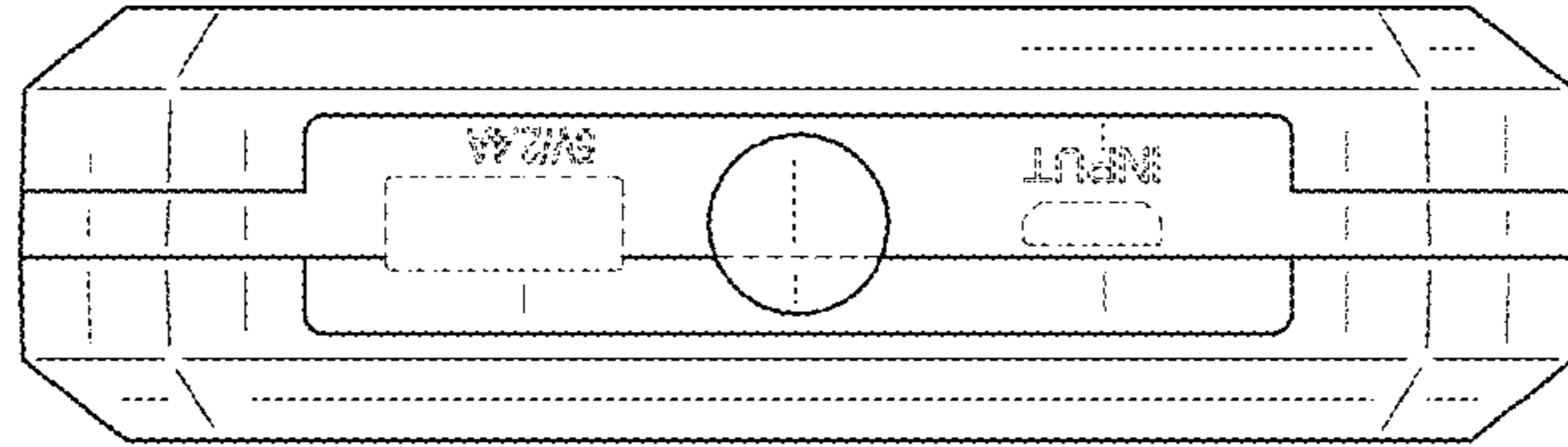


FIG. 7

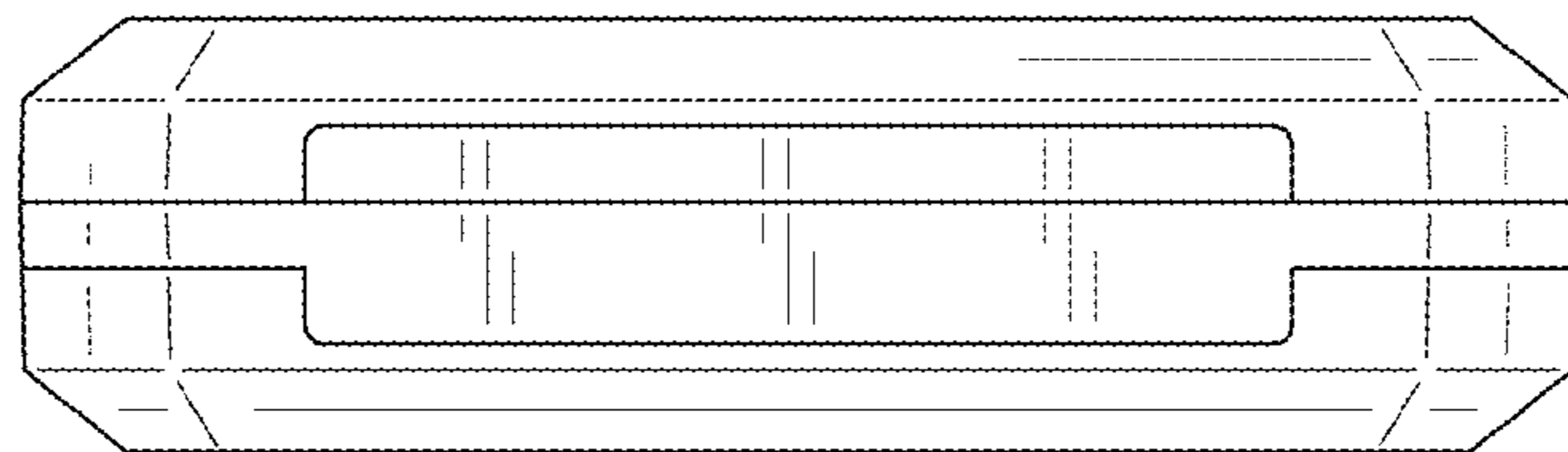


FIG. 8