

US00D872010S

(12) **United States Design Patent** (10) **Patent No.:** **US D872,010 S**  
**Pilliod et al.** (45) **Date of Patent:** **\*\* Jan. 7, 2020**

(54) **BATTERY PACK**

(71) Applicant: **Tesla, Inc.**, Palo Alto, CA (US)

(72) Inventors: **Michael Pilliod**, Los Angeles, CA (US);  
**Kevin Fine**, Redwood City, CA (US);  
**Radu Muntean**, Los Angeles, CA (US);  
**Javier Verdura**, Rancho Palos Verdes,  
CA (US); **Franz Von Holzhausen**,  
Malibu, CA (US)

(73) Assignee: **Tesla, Inc.**, Palo Alto, CA (US)

(\*\*) Term: **15 Years**

(21) Appl. No.: **29/602,052**

(22) Filed: **Apr. 27, 2017**

(51) **LOC (12) Cl.** ..... **13-02**

(52) **U.S. Cl.**  
USPC ..... **D13/103**

(58) **Field of Classification Search**  
USPC ..... D13/102–106, 110, 118–121, 184, 199  
CPC ..... Y02E 60/12; Y02E 60/122; Y02E 60/124;  
Y02E 60/50; H01M 2/02; H01M 2/022;  
H01M 2/0202; H01M 2/0207; H01M  
2/0212; H01M 2/1061; H01M 2/1022;  
H01M 2/1055; H01M 2/1066; H01M  
2/105; H01M 2/204; H01M 10/4257;  
H01M 10/0436; H01M 10/48

See application file for complete search history.

(56) **References Cited**

U.S. PATENT DOCUMENTS

D203,542 S *	1/1966	Dalton	.....	D13/184
D337,328 S *	7/1993	Beaumont	.....	D13/184
D409,140 S *	5/1999	Endo	.....	D13/119
D597,936 S *	8/2009	Walsh	.....	D13/103
D631,826 S *	2/2011	Onnerud	.....	D13/103
D631,833 S *	2/2011	Onnerud	.....	D13/103

D632,643 S *	2/2011	Tanaka	.....	D13/103
D648,676 S *	11/2011	Brookshire	.....	D13/110
D660,787 S *	5/2012	Lambert	.....	D13/103
D733,043 S *	6/2015	Hasbrook	.....	D13/103
D765,594 S *	9/2016	Li	.....	D13/103
D769,813 S *	10/2016	Lin	.....	D13/103
D770,380 S *	11/2016	Lin	.....	D13/103
D770,381 S *	11/2016	Lin	.....	D13/103
D771,561 S *	11/2016	Walker	.....	D13/103
D776,050 S *	1/2017	Awad	.....	D13/102
D826,145 S *	8/2018	Kim	.....	D13/103
D826,146 S *	8/2018	Kim	.....	D13/103
D826,147 S *	8/2018	Kim	.....	D13/103
D826,148 S *	8/2018	Kim	.....	D13/103
D826,847 S *	8/2018	Kim	.....	D13/103
D826,848 S *	8/2018	Toshida	.....	D13/103

\* cited by examiner

*Primary Examiner* — Rosemary K Tarcza

(74) *Attorney, Agent, or Firm* — Kilpatrick Townsend and Stockton LLP

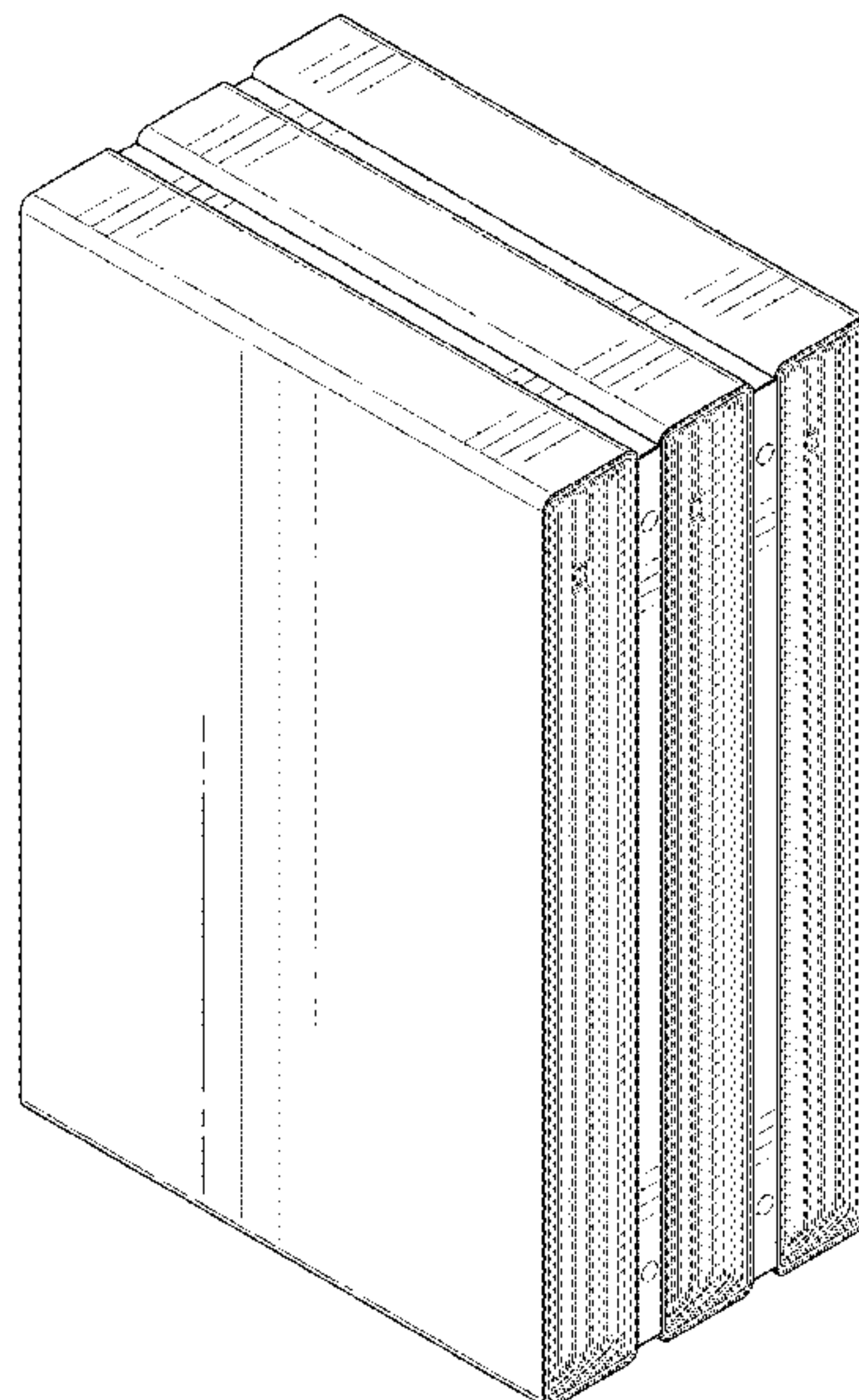
(57) **CLAIM**

The ornamental design for a battery pack, as shown and described.

**DESCRIPTION**

FIG. 1 is a front perspective view of a battery pack showing our new design;  
FIG. 2 is a rear perspective view thereof;  
FIG. 3 is a front view thereof;  
FIG. 4 is a rear view thereof;  
FIG. 5 is a left view thereof;  
FIG. 6 is a right view thereof;  
FIG. 7 is a top view thereof;  
FIG. 8 is a bottom view thereof; and,  
FIG. 9 is a front perspective unstacked view thereof.  
The broken lines shown in the drawing disclosure illustrate portions of the battery pack which form no part of the claimed design.

**1 Claim, 8 Drawing Sheets**



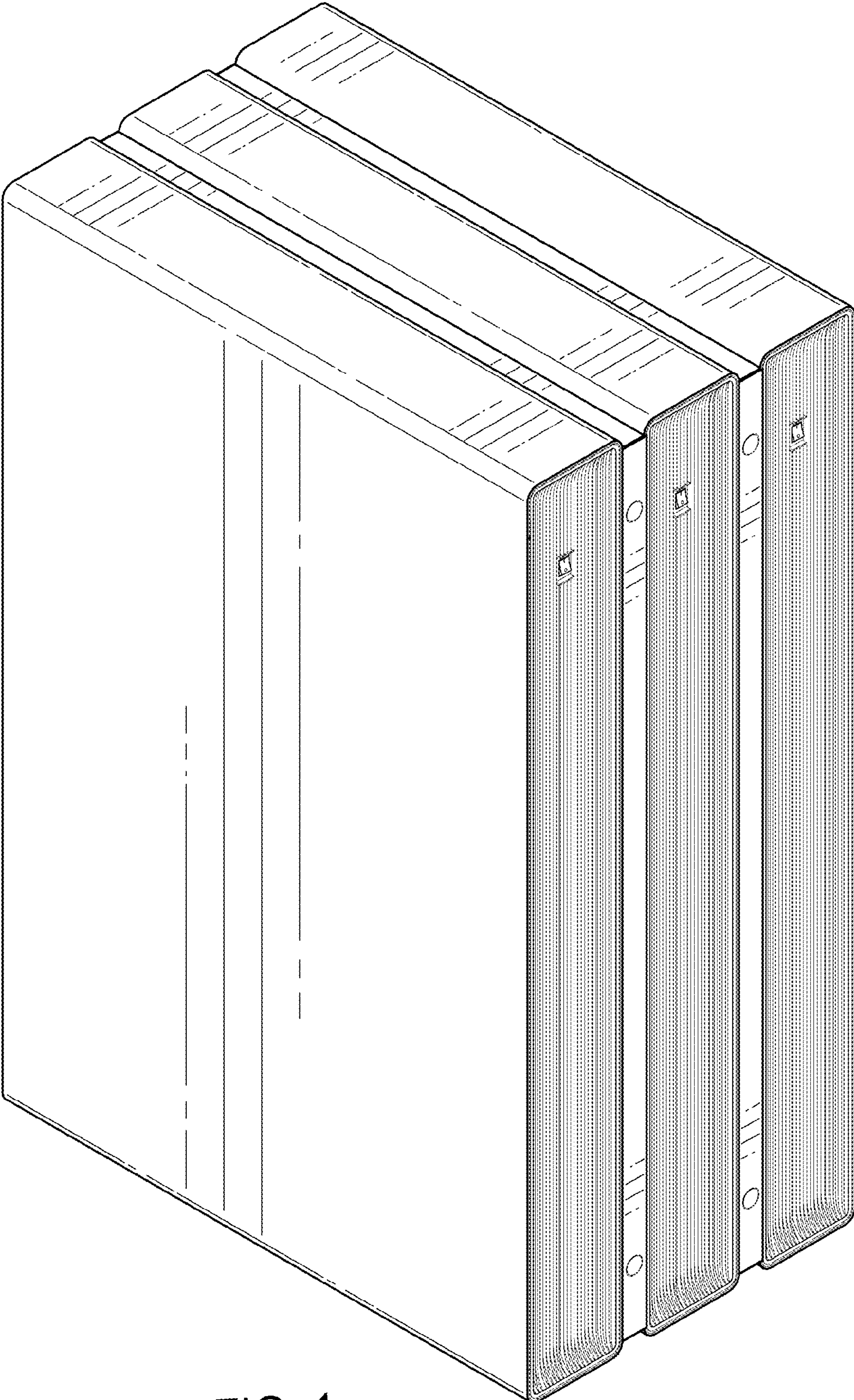


FIG. 1



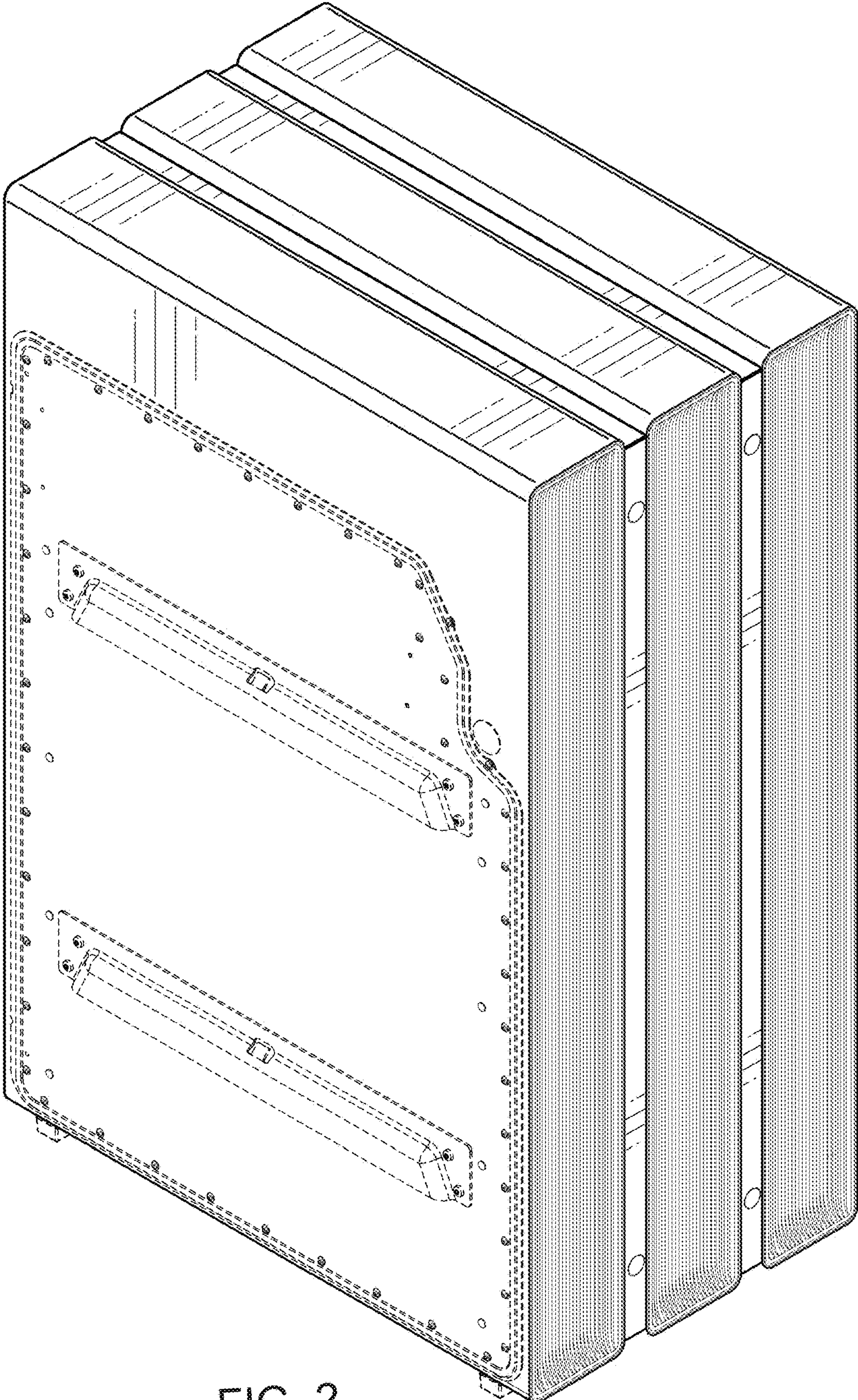


FIG. 2

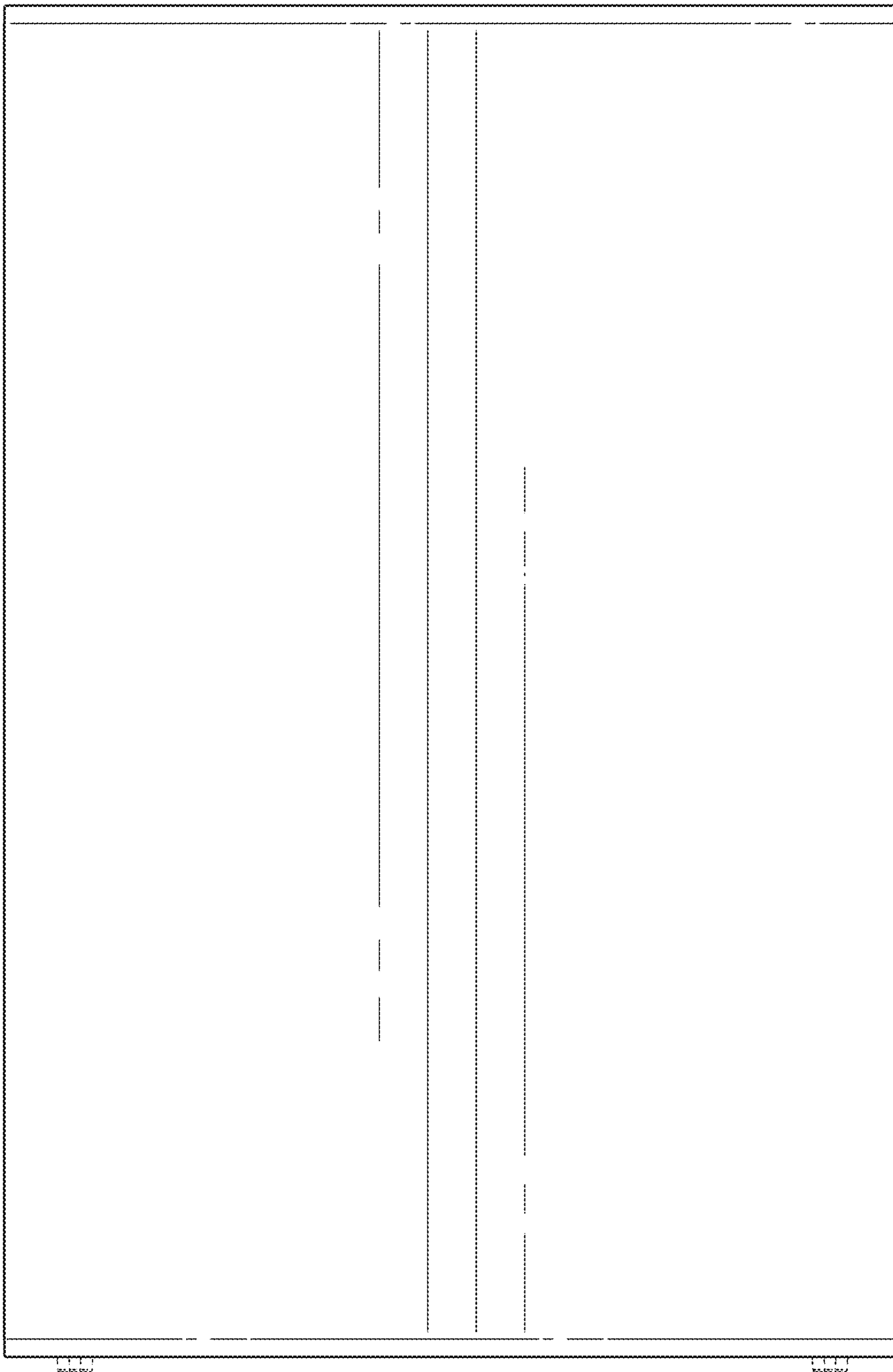


FIG. 3



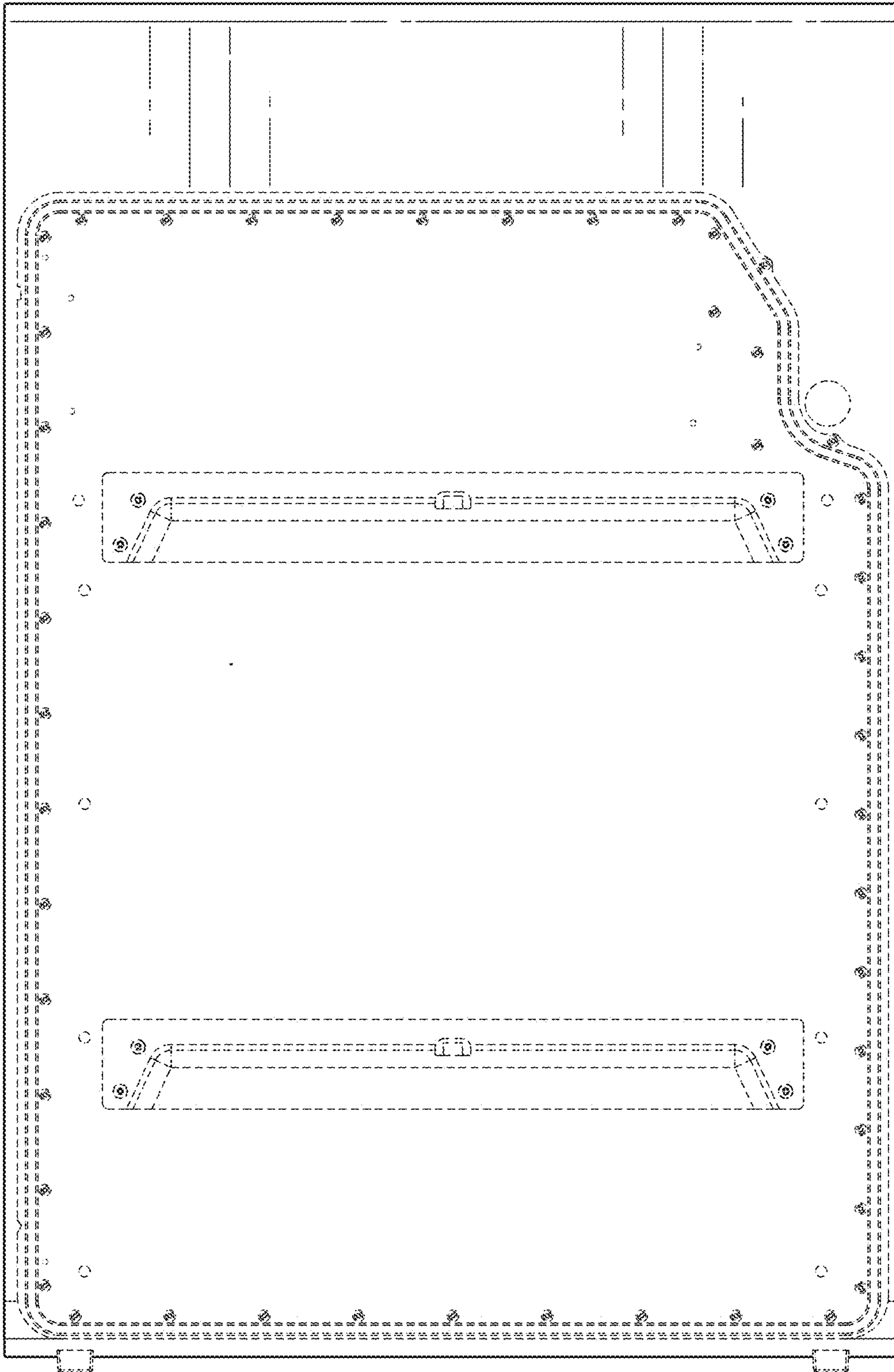


FIG. 4



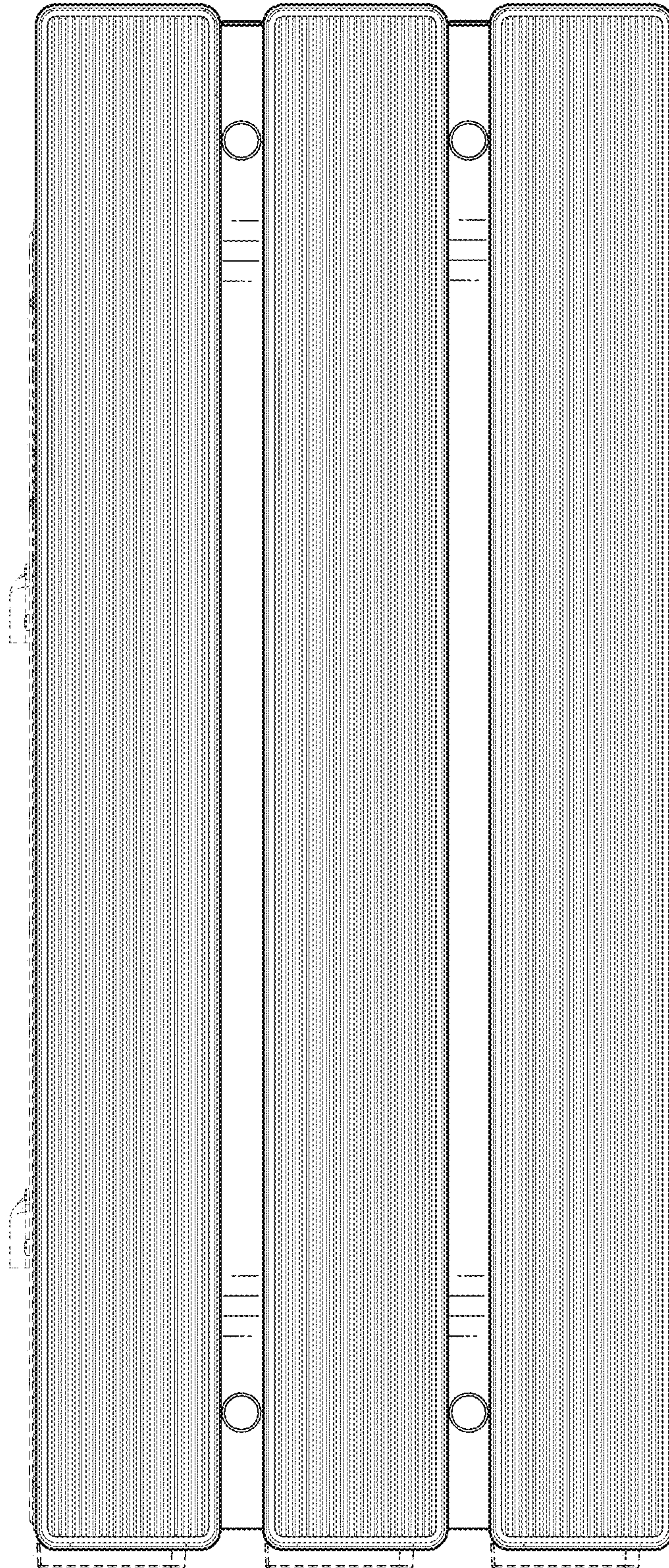


FIG. 5



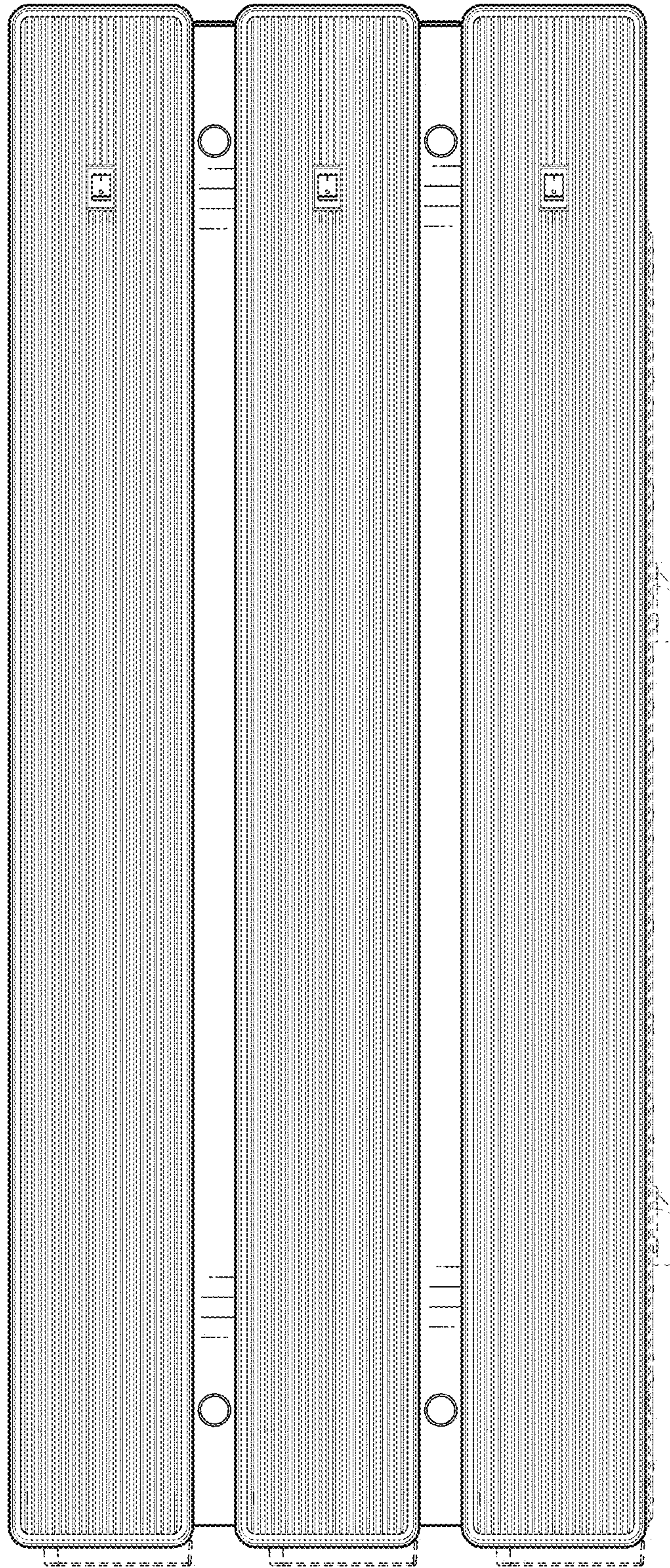


FIG. 6



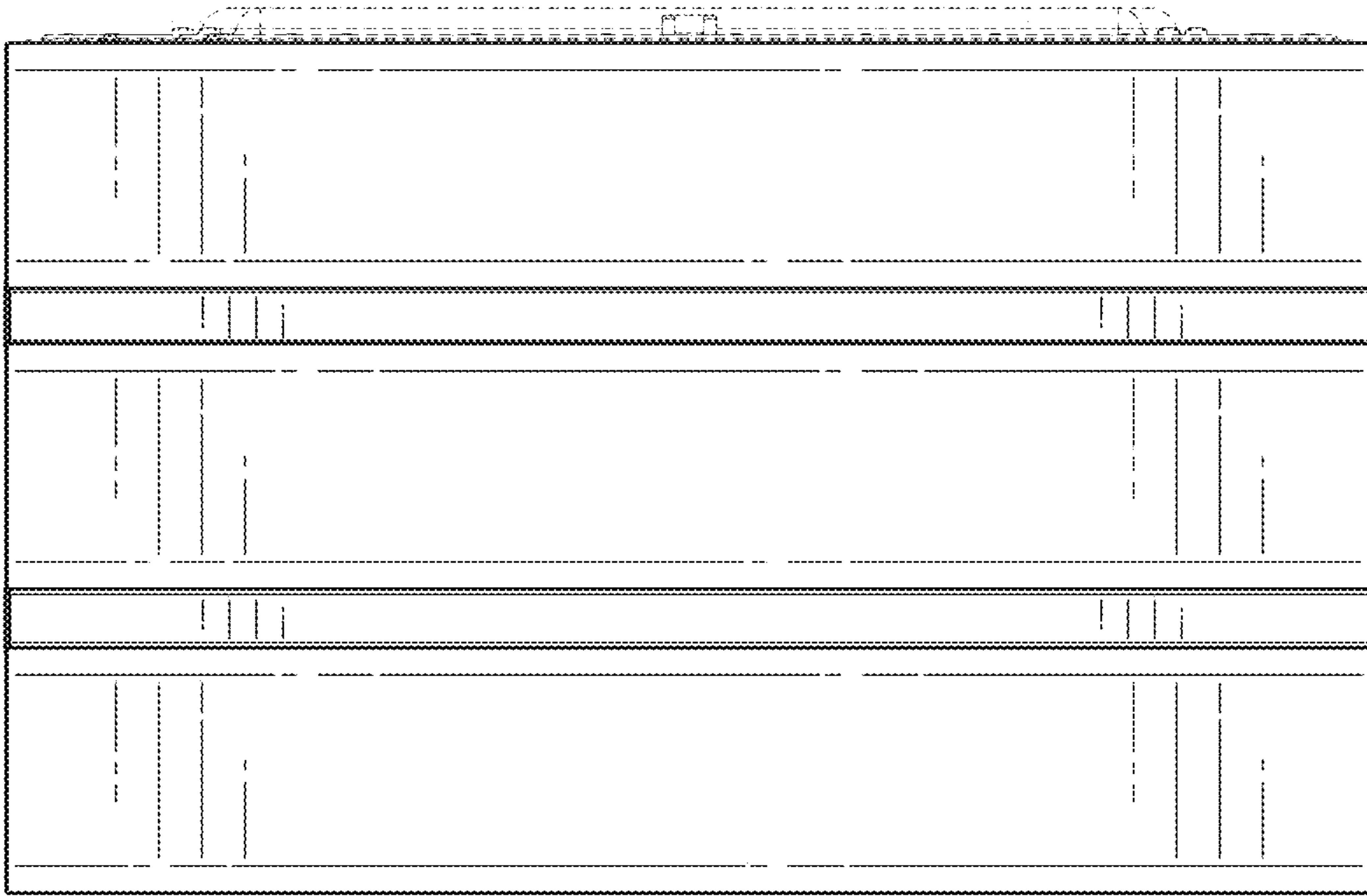


FIG. 7

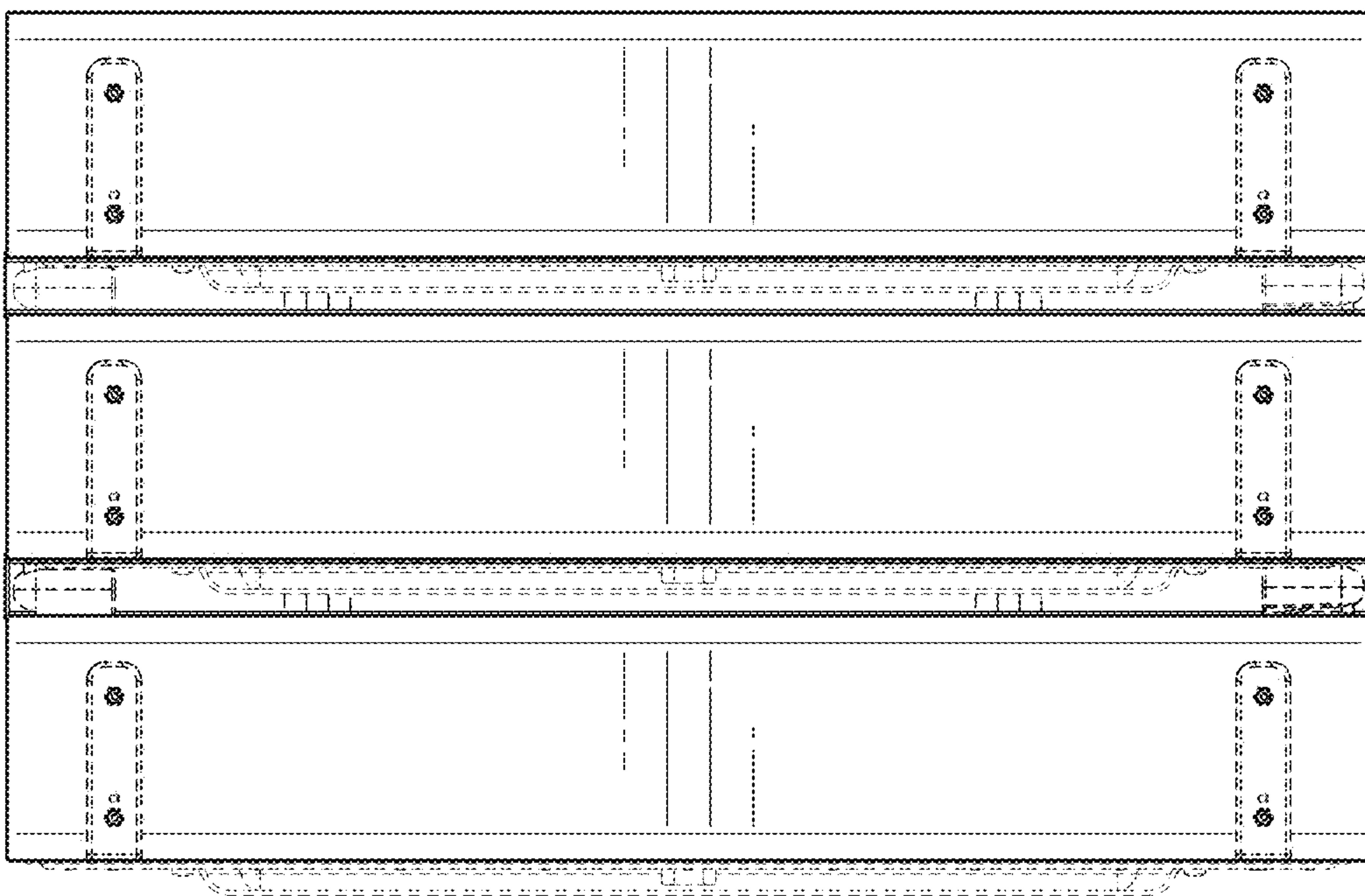


FIG. 8



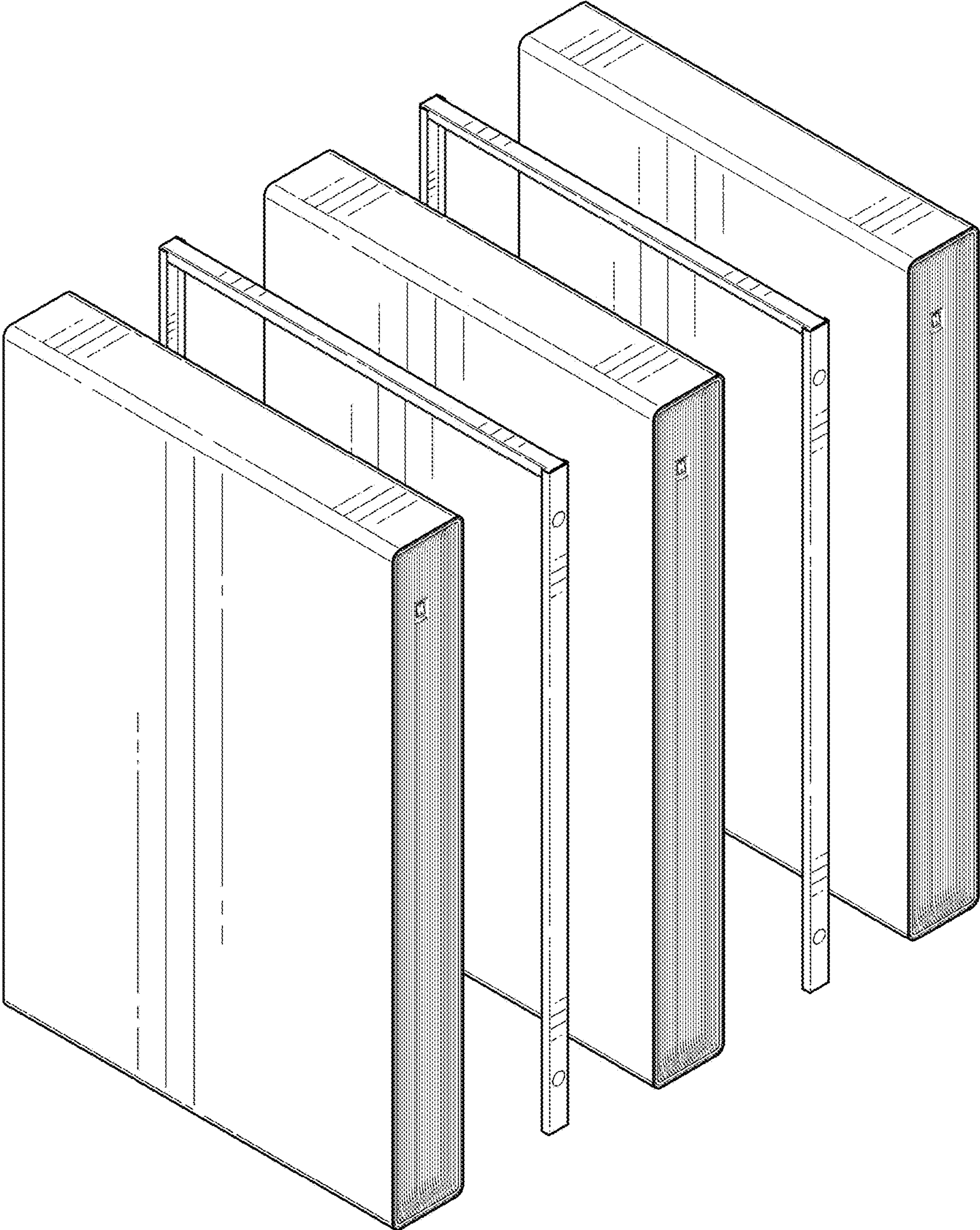


FIG. 9