



US00D872005S

(12) **United States Design Patent**
Boyd

(10) **Patent No.:** **US D872,005 S**

(45) **Date of Patent:** **** Jan. 7, 2020**

(54) **MOTORCYCLE COVER**

(71) Applicant: **Stephen Boyd**, Las Vegas, NV (US)

(72) Inventor: **Stephen Boyd**, Las Vegas, NV (US)

(**) Term: **15 Years**

(21) Appl. No.: **29/659,183**

(22) Filed: **Aug. 7, 2018**

(51) **LOC (12) Cl.** **12-16**

(52) **U.S. Cl.**
USPC **D12/402**

(58) **Field of Classification Search**
USPC D12/401-405; D6/610, 611, 596,
D6/601-603, 615, 617; D7/332, 334-337
CPC ... B60R 5/045; B60R 5/04; B60P 7/04; B65D
85/68; B65D 31/16; B65D 33/02
See application file for complete search history.

(56) **References Cited**

U.S. PATENT DOCUMENTS

D688,619 S *	8/2013	Camara	D12/402
D705,157 S *	5/2014	Madison	D12/401
D723,451 S *	3/2015	Depew, Jr.	D12/402
D736,691 S *	8/2015	Holeman	D12/402
D745,843 S *	12/2015	Wuttig	D12/402

D784,906 S *	4/2017	van Kempen	D12/402
D833,956 S *	11/2018	Xiao	D12/402
D834,494 S *	11/2018	Xiao	D12/402
2005/0247387 A1 *	11/2005	Hooker	B62J 19/00 150/167
2006/0145511 A1 *	7/2006	Traher	B62J 15/00 296/136.07
2012/0145292 A1 *	6/2012	Saggau	B62J 19/00 150/167

* cited by examiner

Primary Examiner — Katrina A Betton

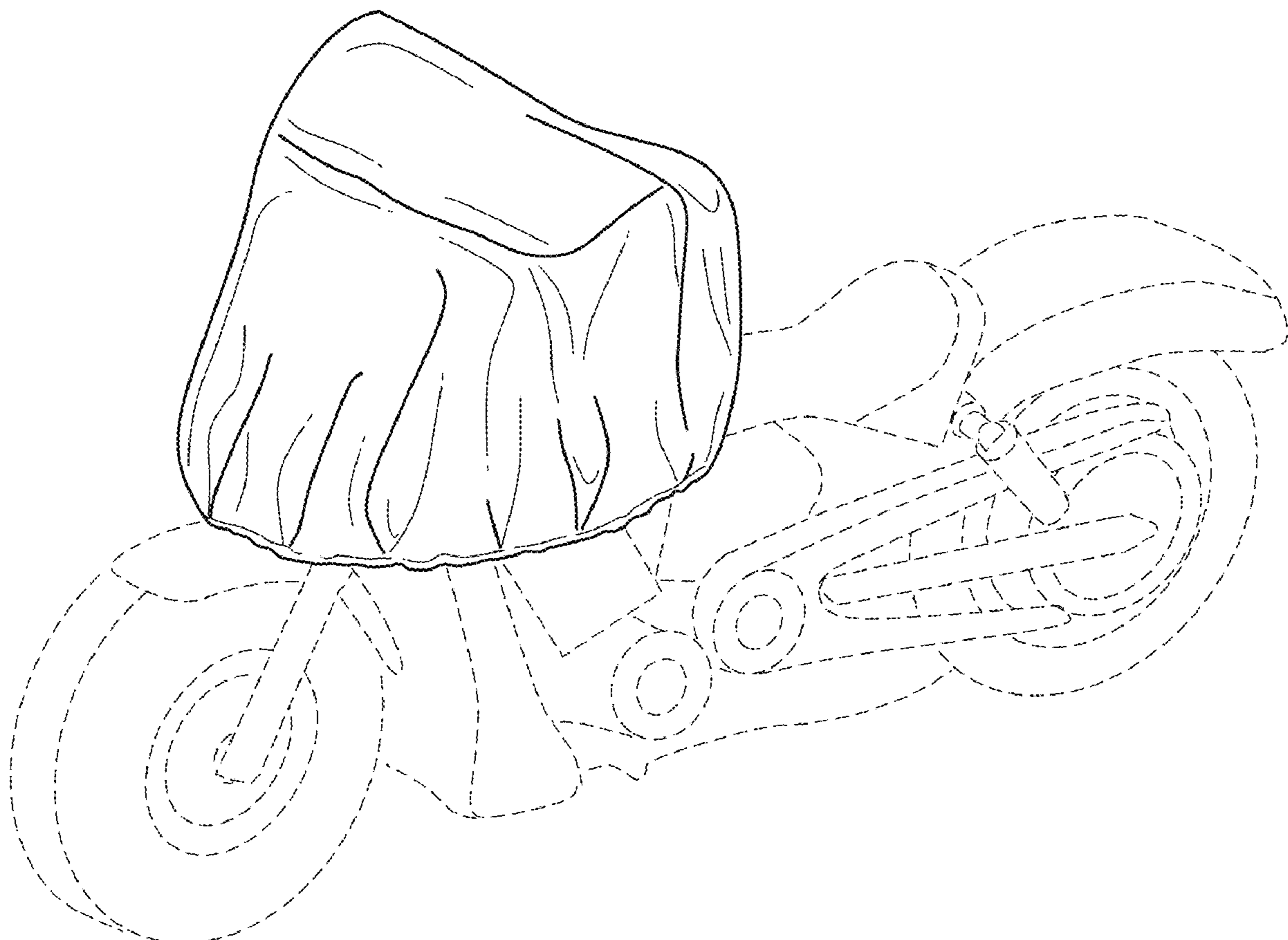
(57) **CLAIM**

The ornamental design for a motorcycle cover, as shown and described.

DESCRIPTION

FIG. 1 is a front perspective view of a motorcycle cover;
FIG. 2 is a front elevation view thereof;
FIG. 3 is a rear elevation view thereof;
FIG. 4 is a left side elevation view thereof;
FIG. 5 is a right side elevation view thereof;
FIG. 6 is a top plan view thereof; and,
FIG. 7 is a bottom plan view thereof.
The broken lines shown in the drawings depict a motorcycle that forms no part of the claimed invention.

1 Claim, 4 Drawing Sheets



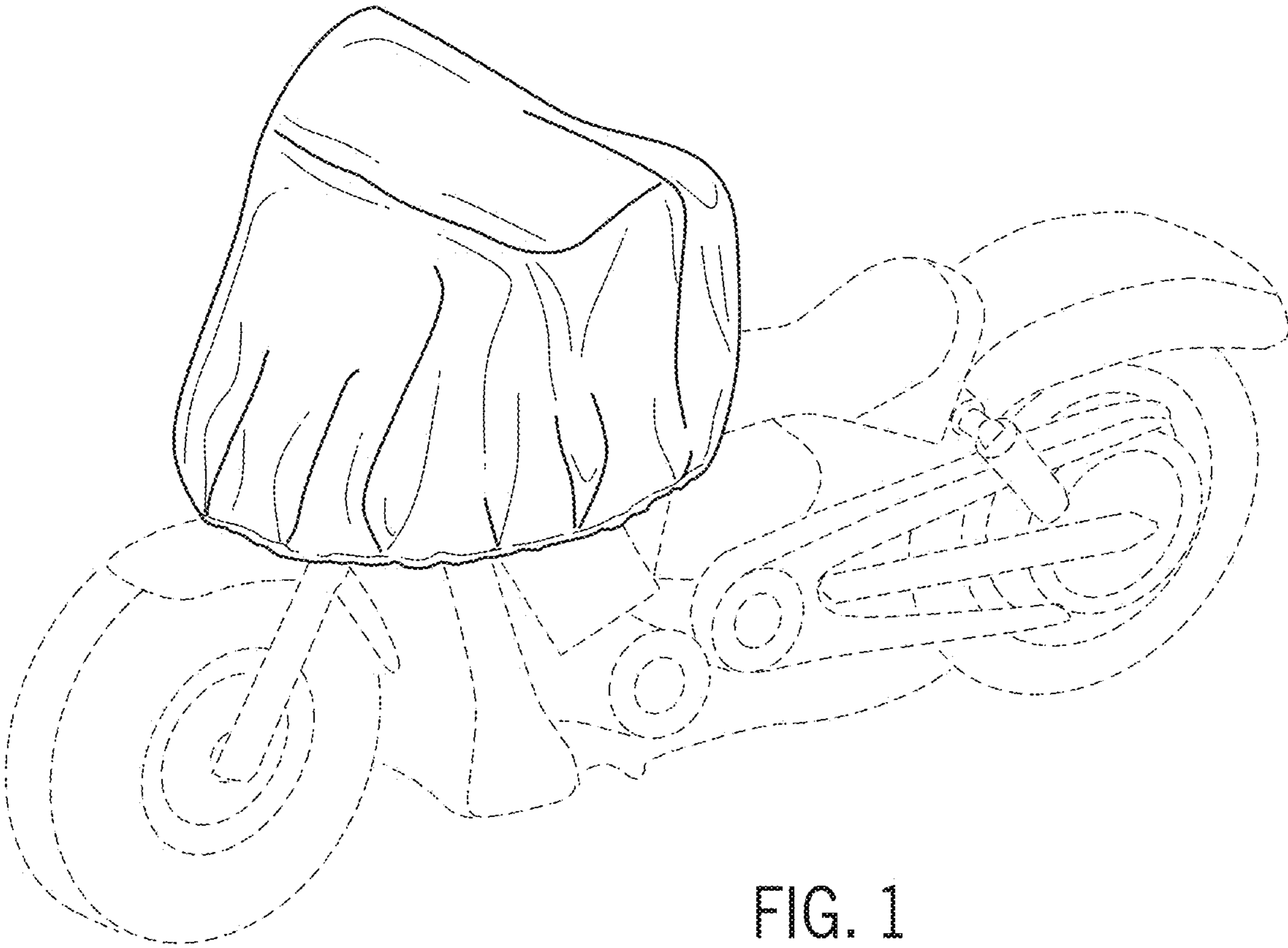


FIG. 1

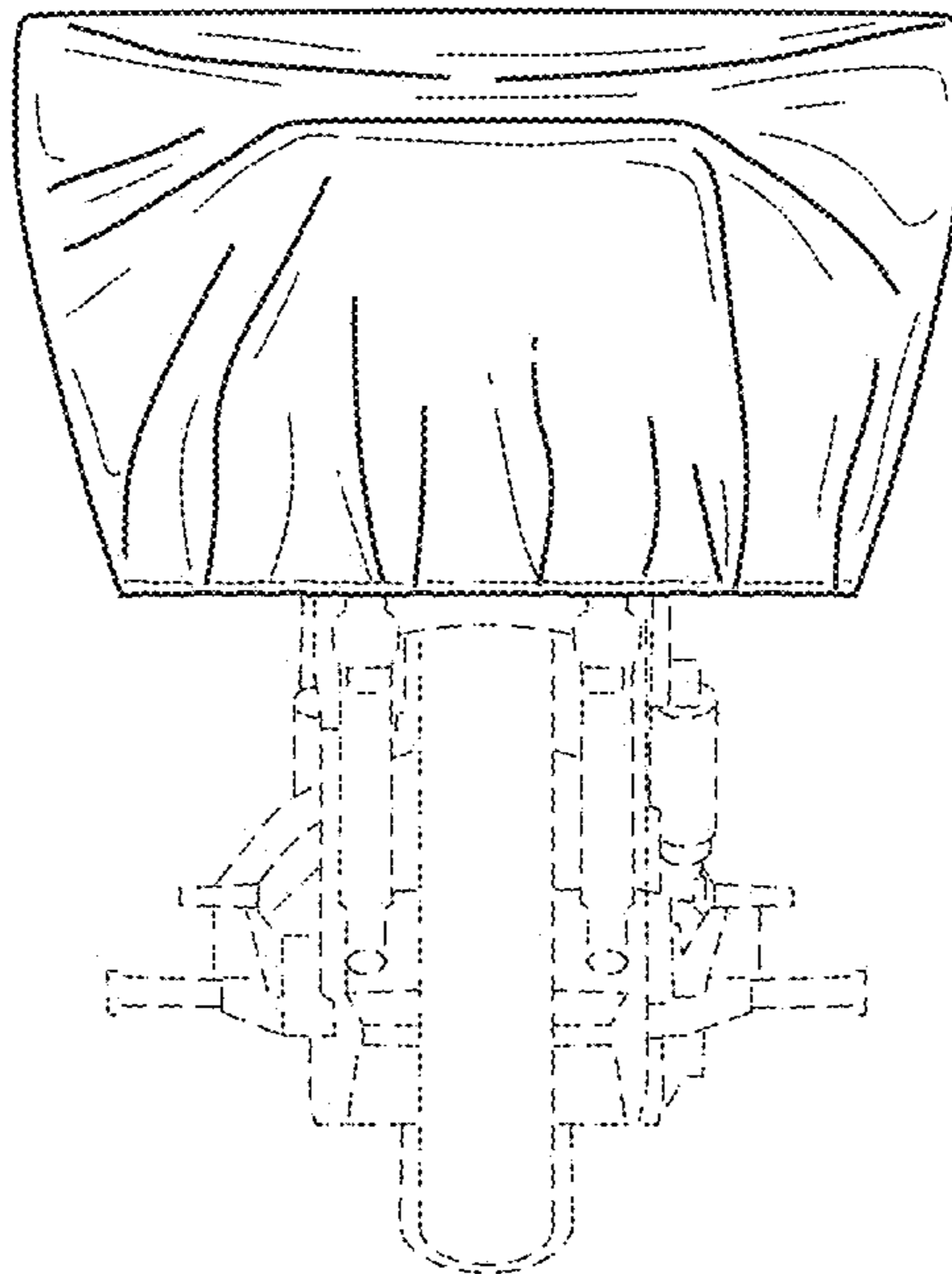


FIG. 2

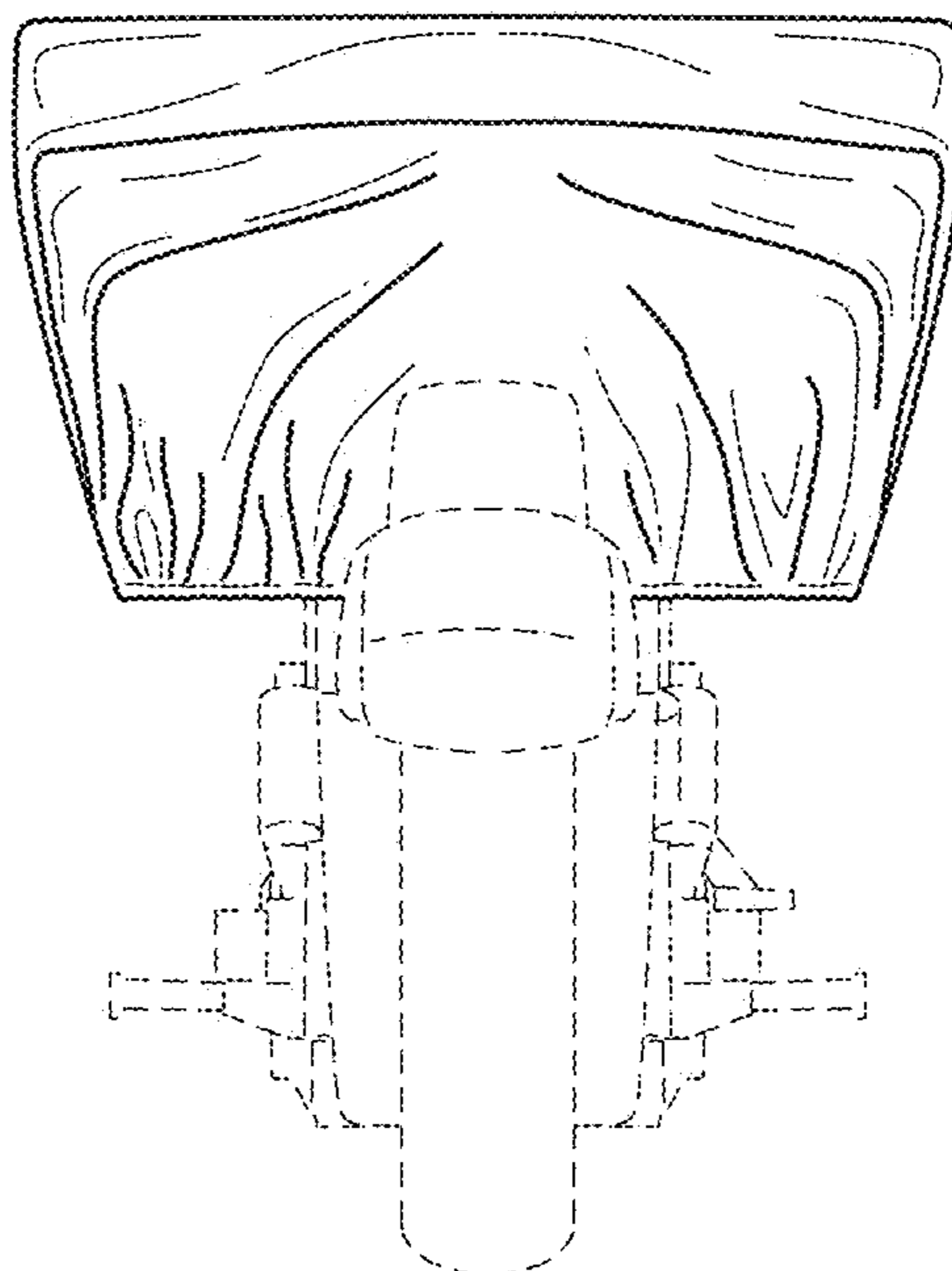


FIG. 3

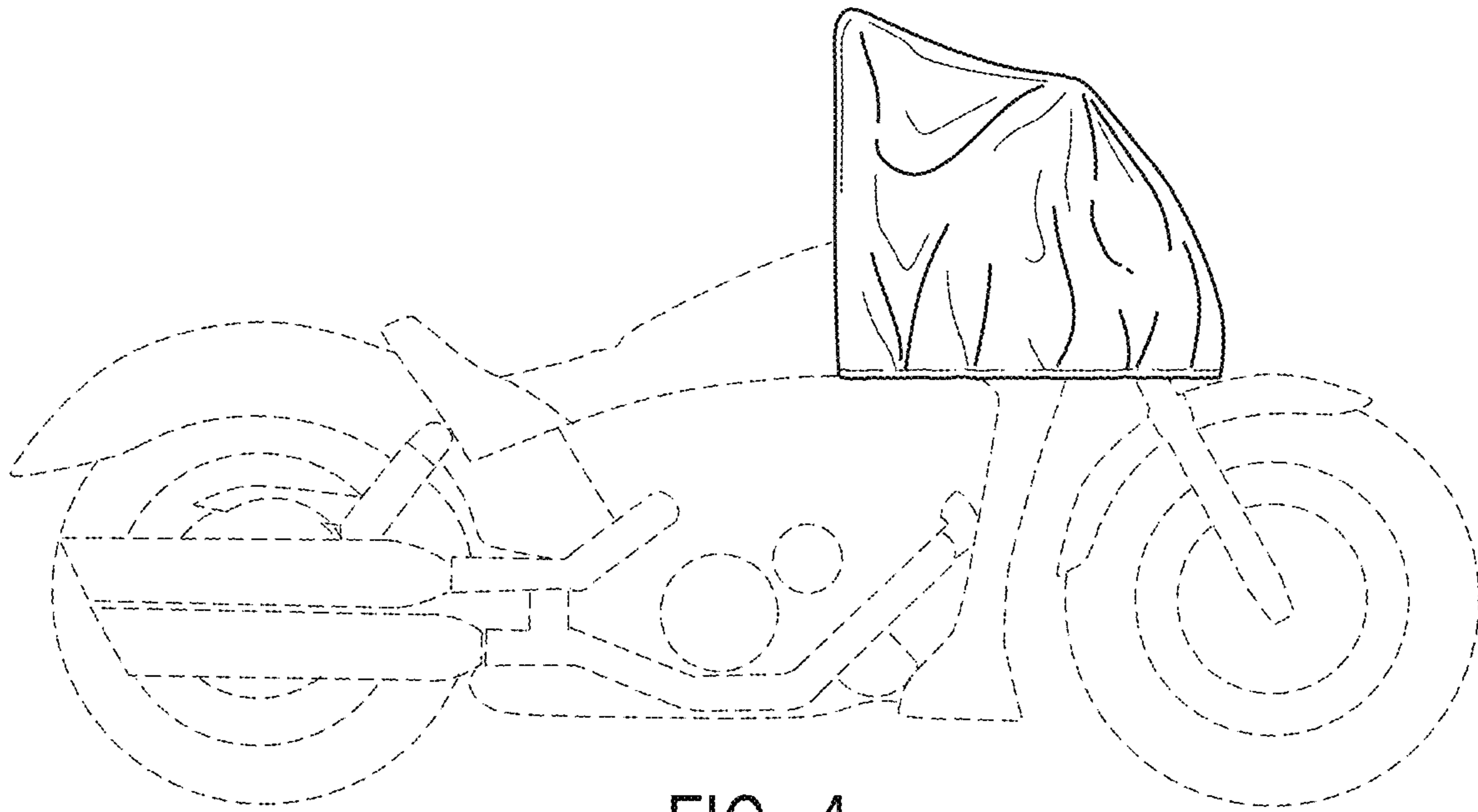


FIG. 4

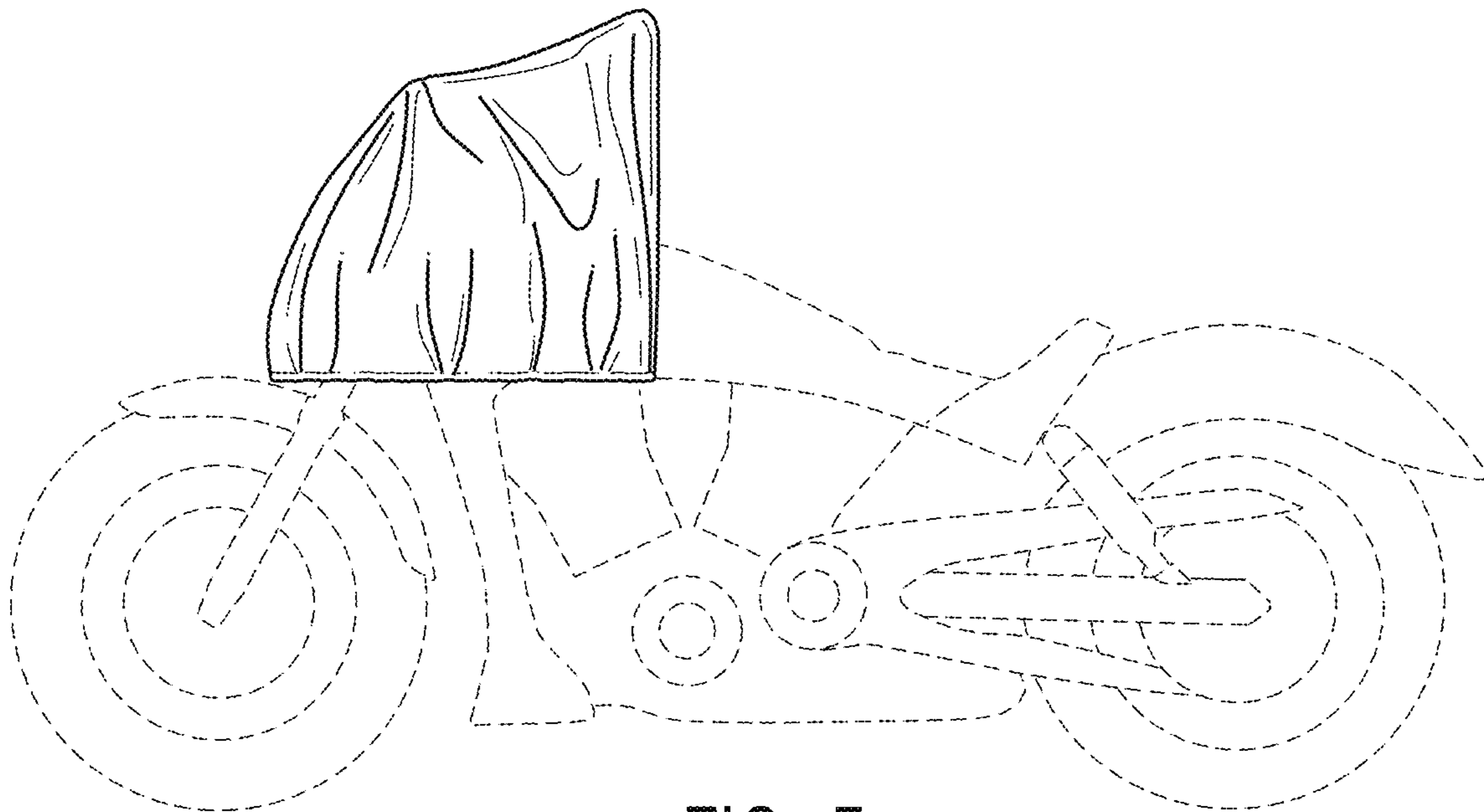


FIG. 5

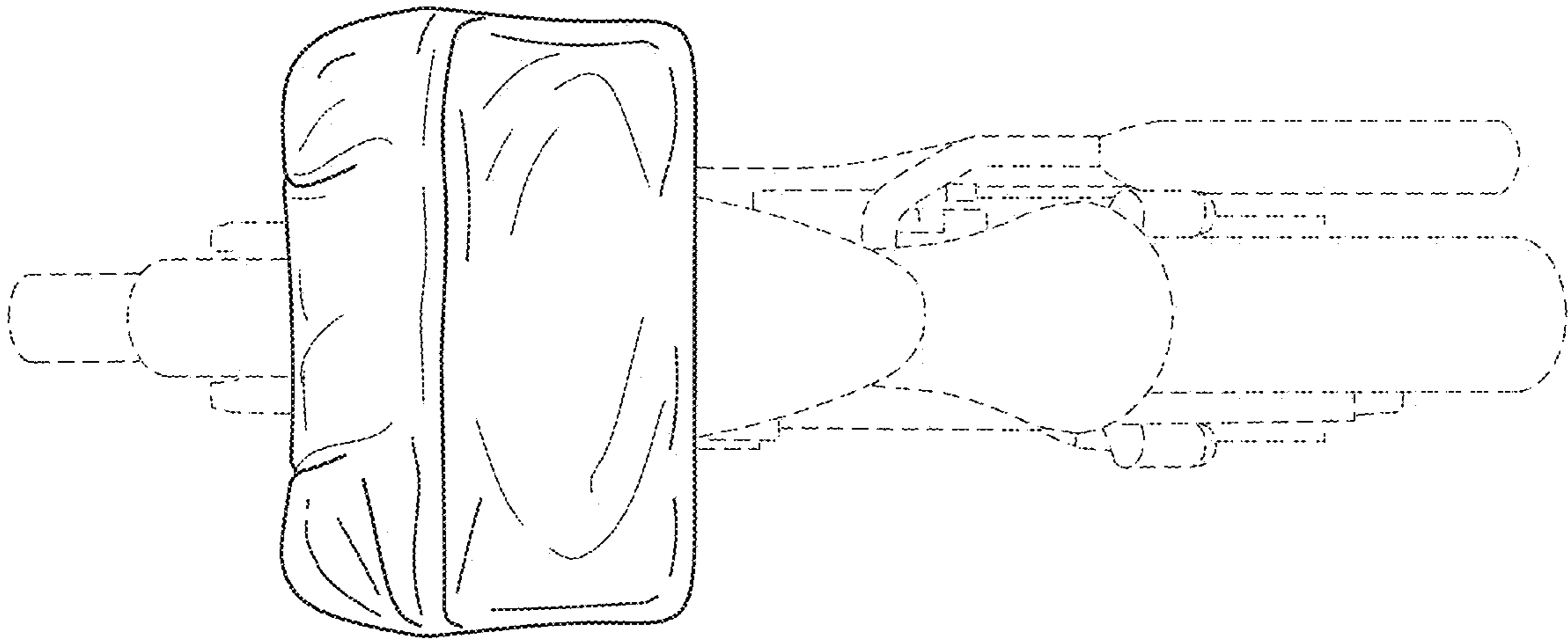


FIG. 6

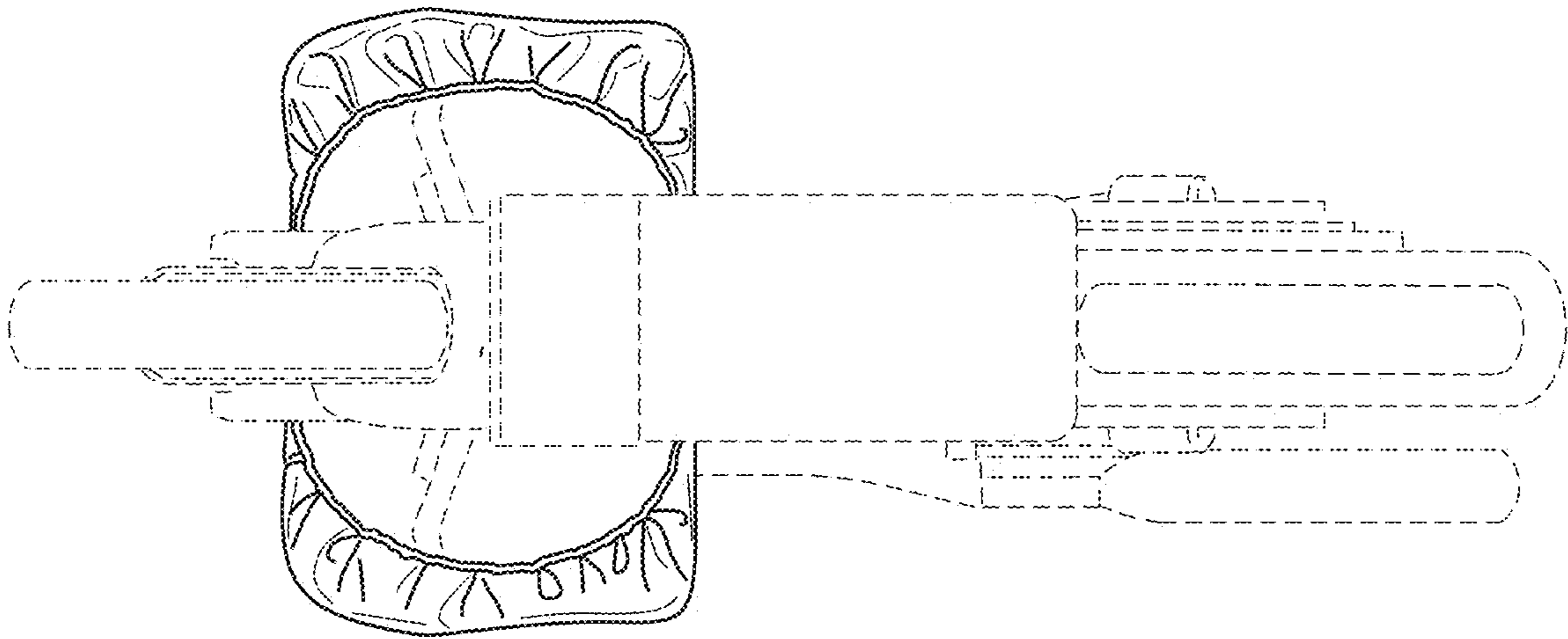


FIG. 7