

US00D872003S

(12) **United States Design Patent**  
**Zolotuhin**

(10) **Patent No.:** **US D872,003 S**  
(45) **Date of Patent:** **\*\* Jan. 7, 2020**

(54) **PONTOON BOAT WITH ELEVATED FRONT WAVE GUARD**

(71) Applicant: **Mihail Zolotuhin**, Sandy, UT (US)

(72) Inventor: **Mihail Zolotuhin**, Sandy, UT (US)

(\*\*) Term: **15 Years**

(21) Appl. No.: **29/609,369**

(22) Filed: **Jun. 29, 2017**

**Related U.S. Application Data**

(63) Continuation-in-part of application No. 29/601,860, filed on Apr. 26, 2017.

(51) **LOC (12) Cl.** ..... **12-06**

(52) **U.S. Cl.**  
USPC ..... **D12/310**

(58) **Field of Classification Search**  
USPC ..... D12/300-318; D21/542-547

(Continued)

(56) **References Cited**

**U.S. PATENT DOCUMENTS**

4,562,786 A 1/1986 Pruonto  
D298,310 S 11/1988 Robbins

(Continued)

**FOREIGN PATENT DOCUMENTS**

CA 2414545 A1 7/2004  
DE 3924362 A1 1/1991

(Continued)

*Primary Examiner* — Cynthia M. Chin

(74) *Attorney, Agent, or Firm* — Pate Peterson PLLC;  
Brett Peterson

(57) **CLAIM**

The ornamental design for a pontoon boat with elevated front wave guard, as shown and described.

**DESCRIPTION**

FIG. 1 is an upper isometric view of a pontoon boat with elevated front wave guard.

FIG. 2 is a lower isometric view of the pontoon boat with elevated front wave guard of FIG. 1.

FIG. 3 is a top side view of the pontoon boat with elevated front wave guard of FIG. 1.

FIG. 4 is a bottom side view of the pontoon boat with elevated front wave guard of FIG. 1.

FIG. 5 is a left side view of the pontoon boat with elevated front wave guard of FIG. 1.

FIG. 6 is a right side view of the pontoon boat with elevated front wave guard of FIG. 1.

FIG. 7 is a front side view of the pontoon boat with elevated front wave guard of FIG. 1.

FIG. 8 is a rear side view of the pontoon boat with elevated front wave guard of FIG. 1.

FIG. 9 is an upper isometric view of another pontoon boat with elevated front wave guard.

FIG. 10 is a lower isometric view of the pontoon boat with elevated front wave guard of FIG. 9.

FIG. 11 is a top side view of the pontoon boat with elevated front wave guard of FIG. 9.

FIG. 12 is a bottom side view of the pontoon boat with elevated front wave guard of FIG. 9.

FIG. 13 is a left side view of the pontoon boat with elevated front wave guard of FIG. 9.

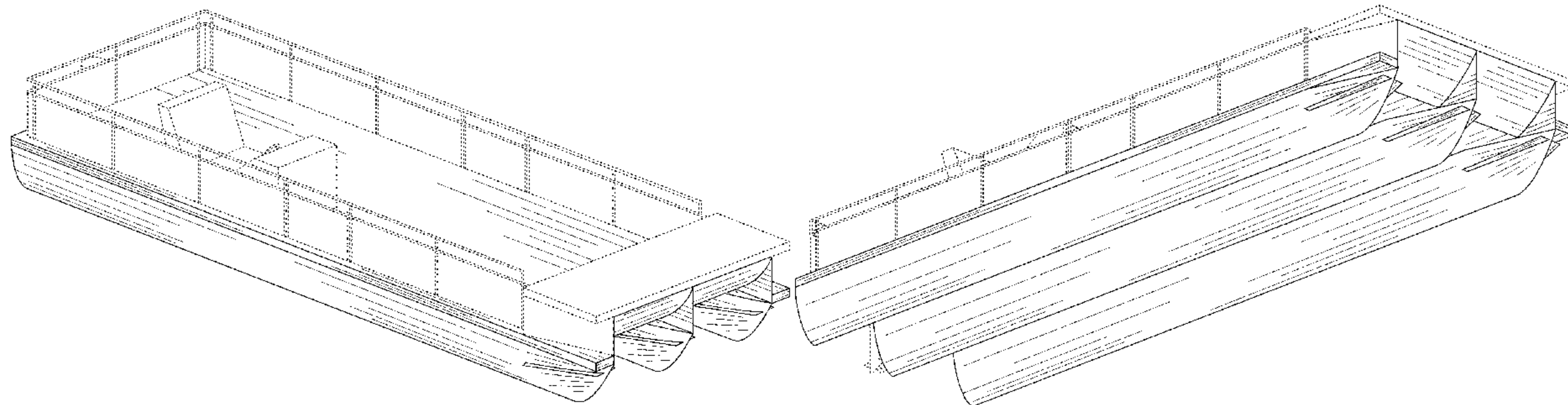
FIG. 14 is a right side view of the pontoon boat with elevated front wave guard of FIG. 9.

FIG. 15 is a front side view of the pontoon boat with elevated front wave guard of FIG. 9; and,

FIG. 16 is a rear side view of the pontoon boat with elevated front wave guard of FIG. 9.

The broken lines are for the purpose of illustrating portions of the article that form no part of the claim.

**1 Claim, 16 Drawing Sheets**





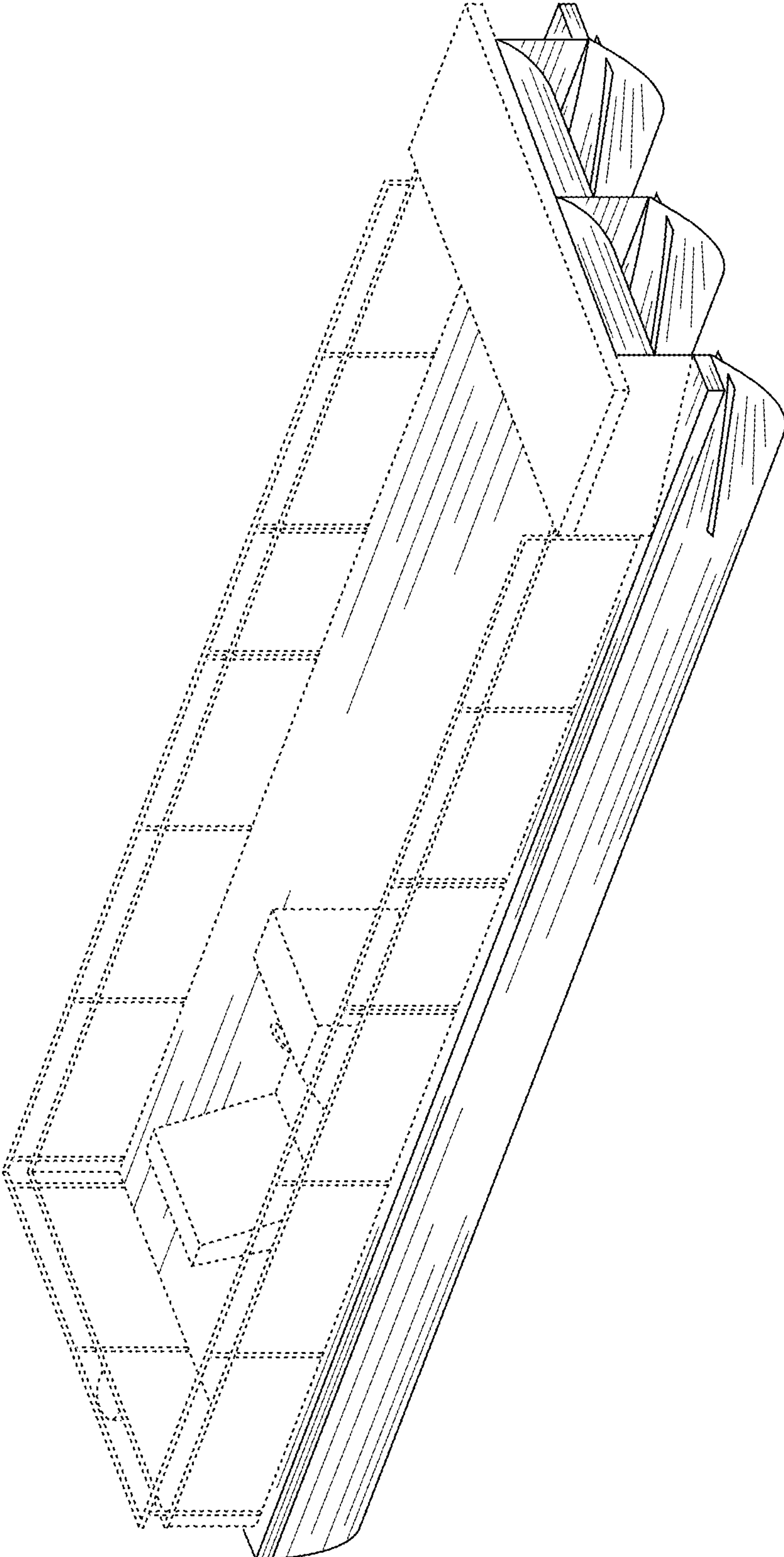


Fig. 1



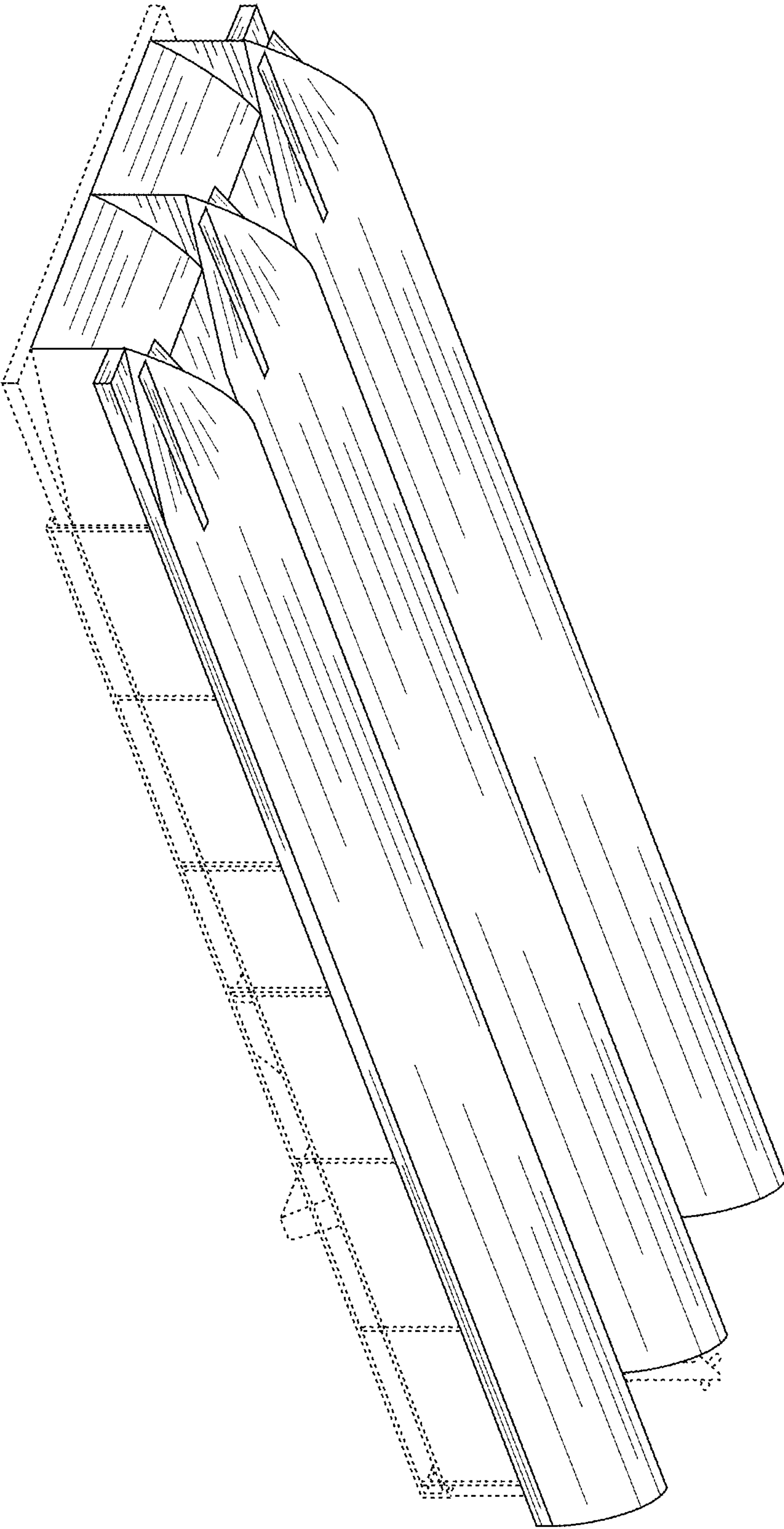


Fig. 2

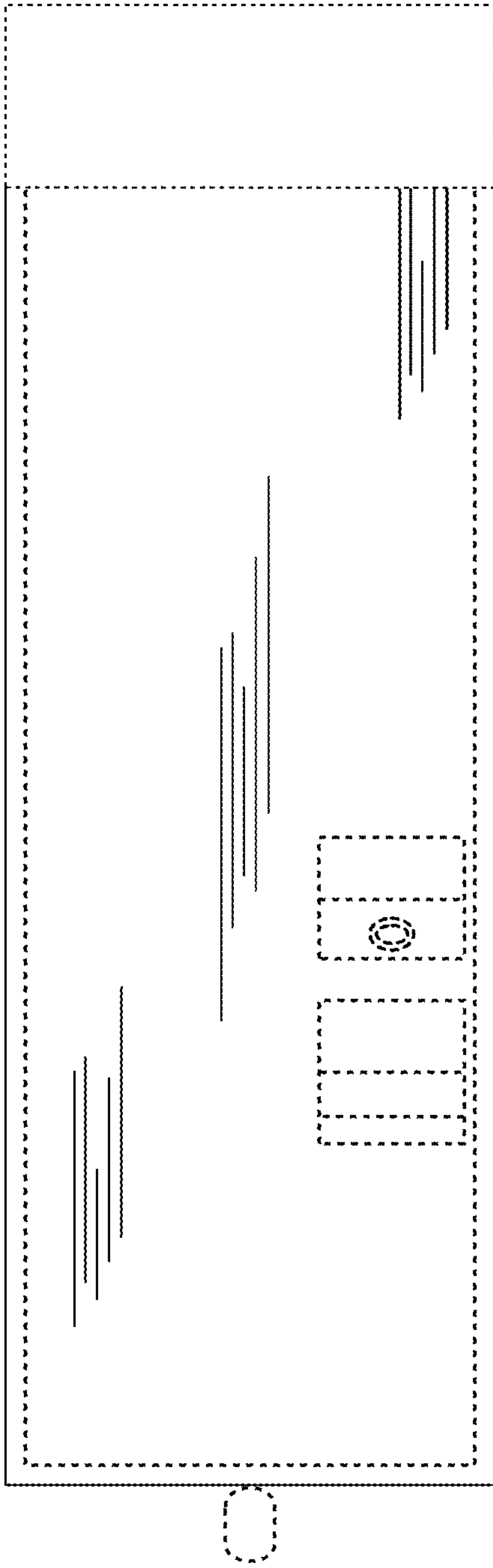


Fig. 3

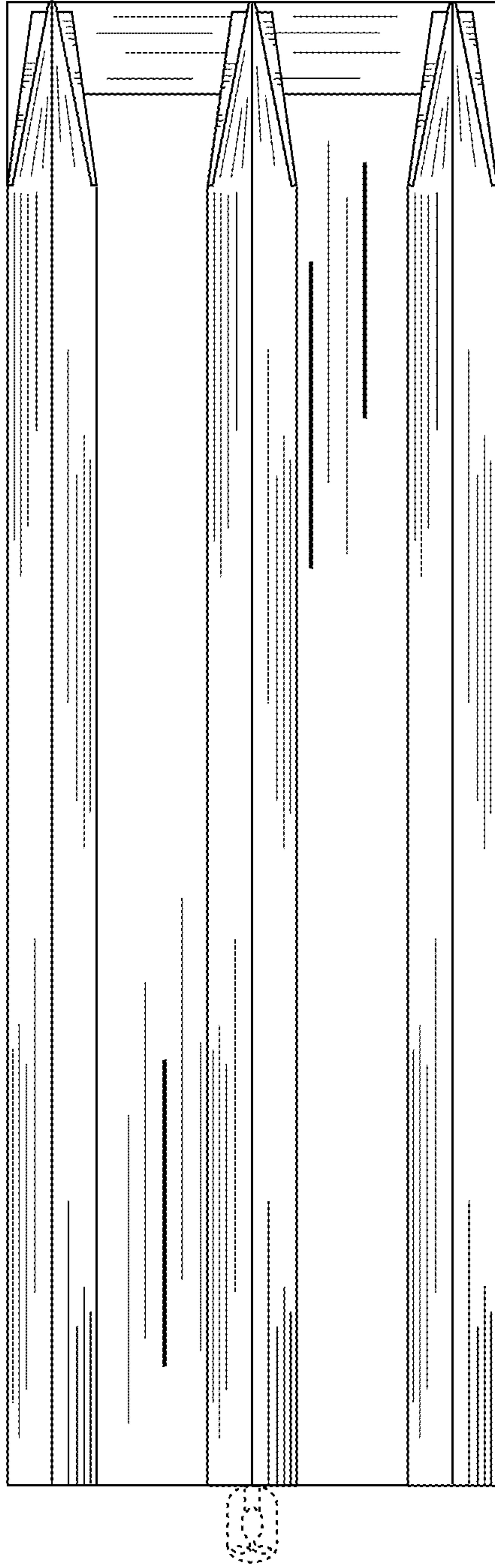


Fig. 4

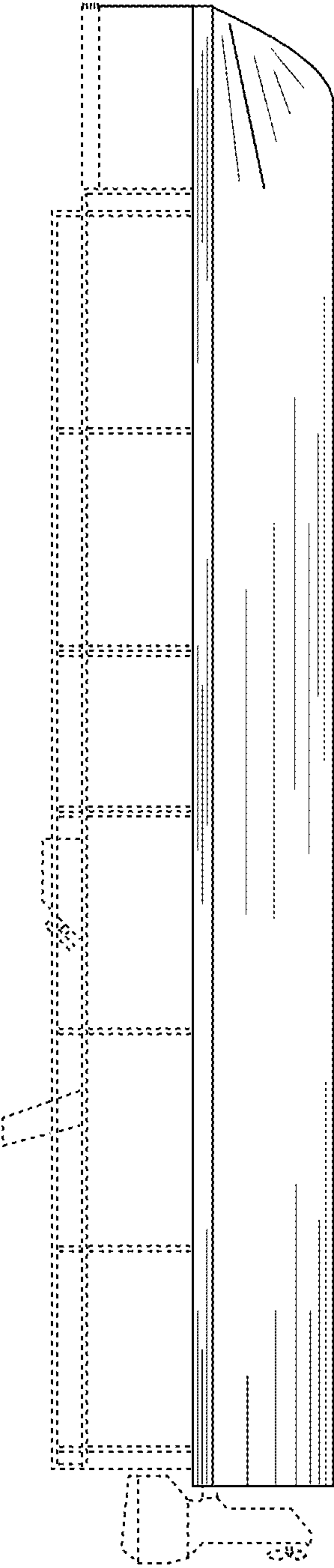


Fig. 5

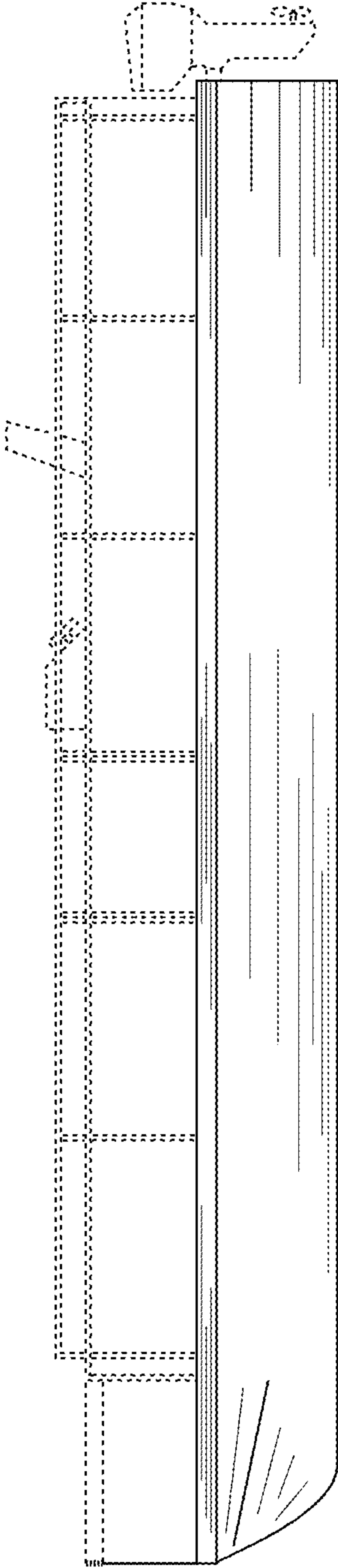


Fig. 6



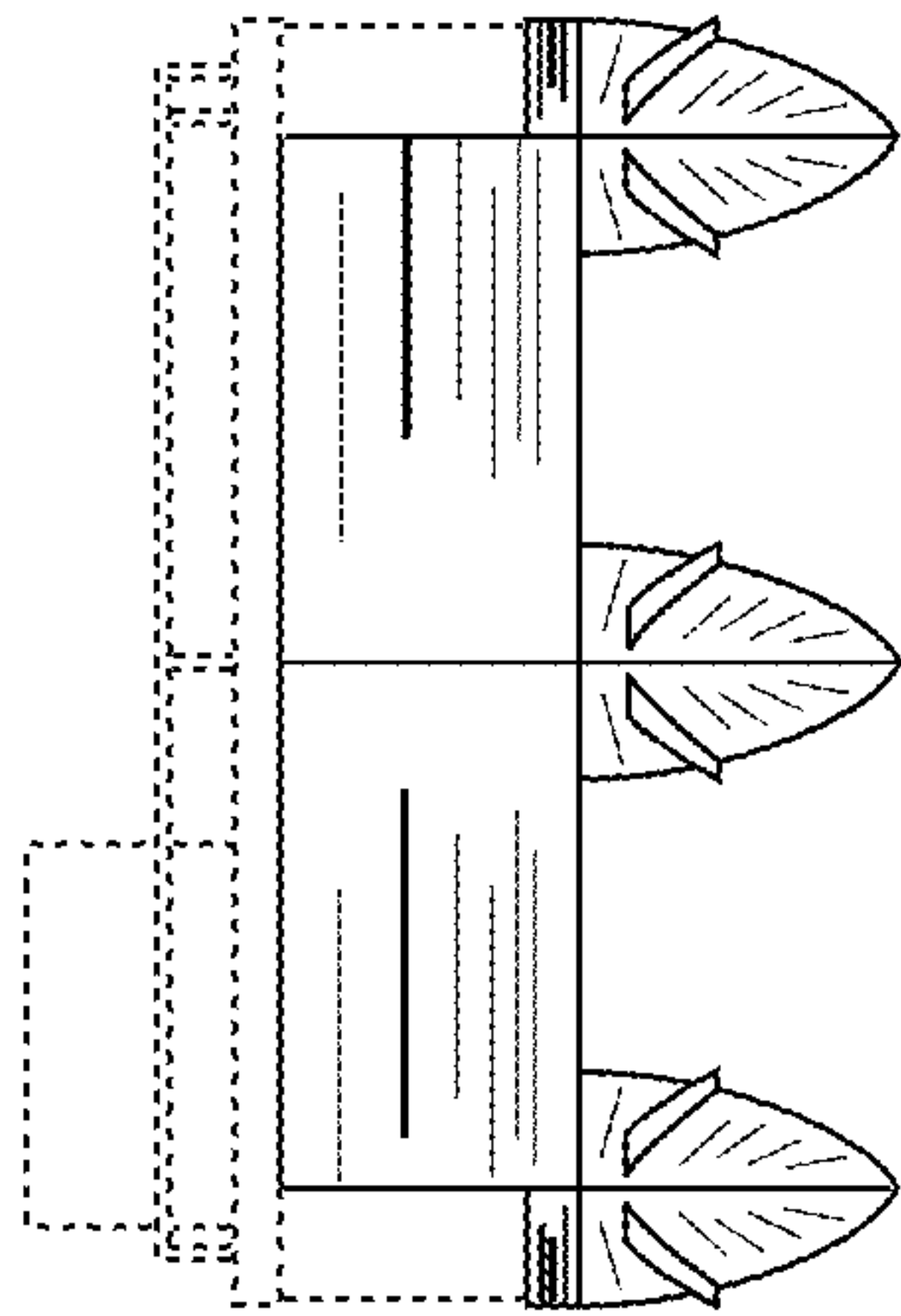


Fig. 7

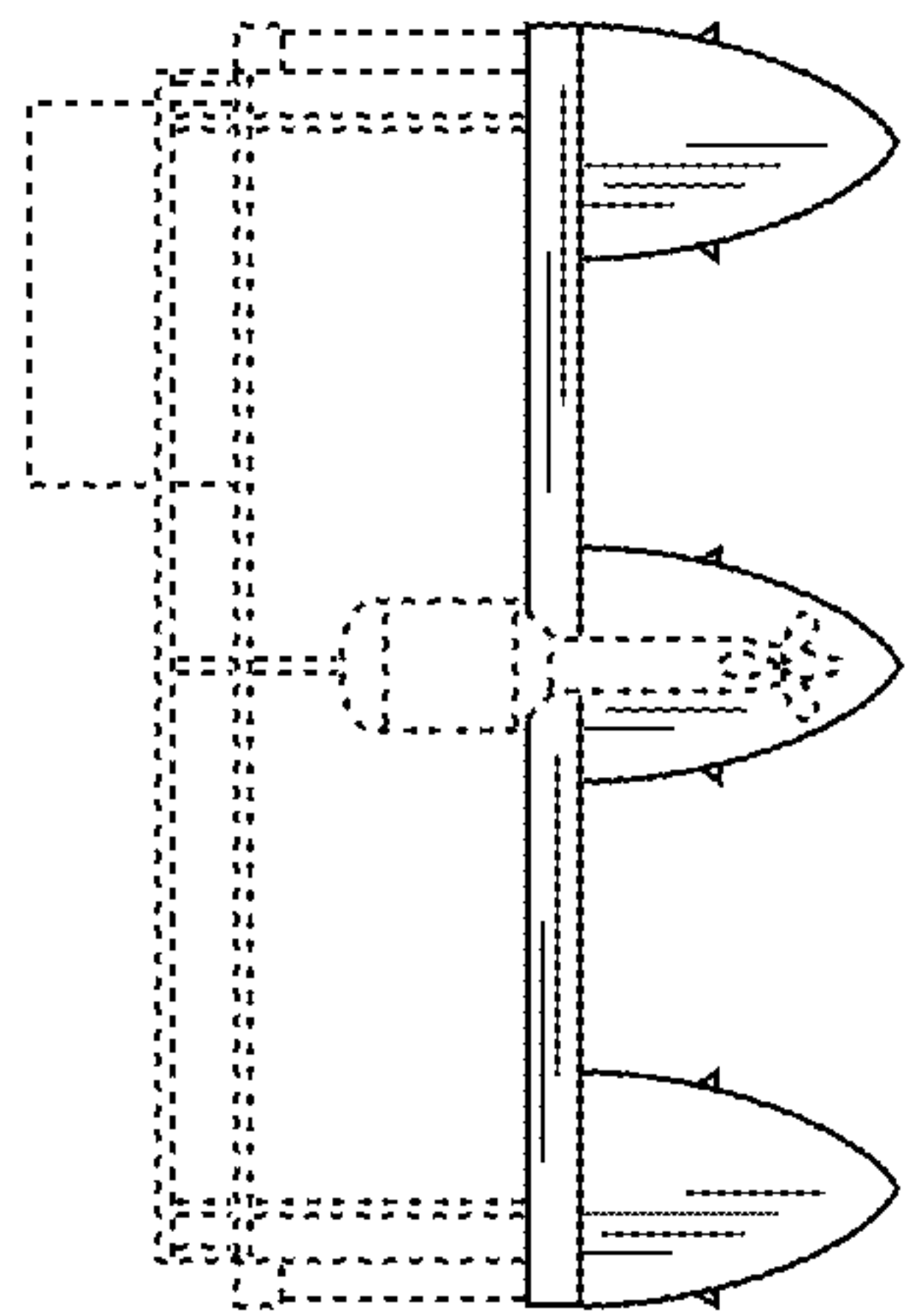


Fig. 8

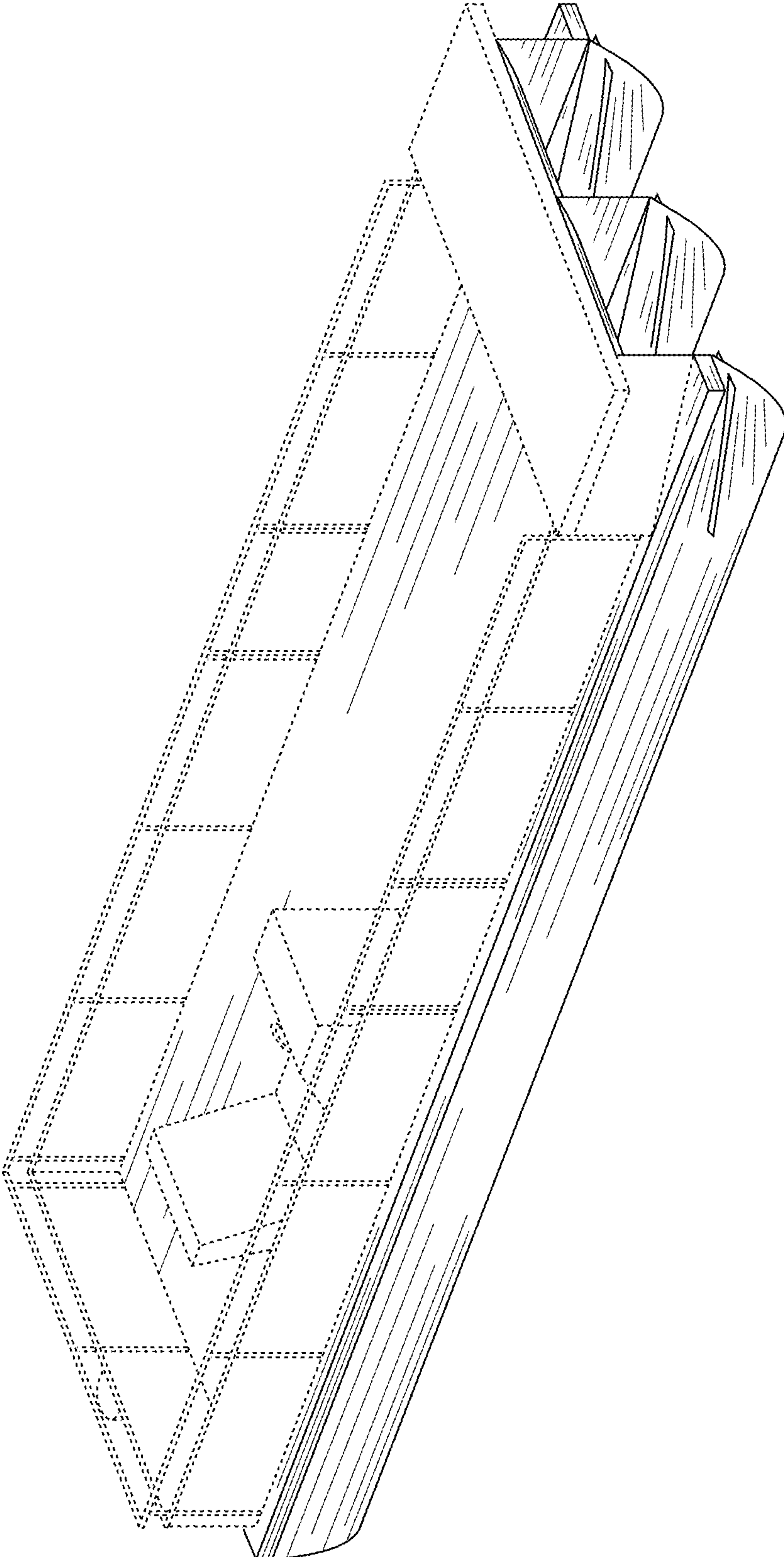


Fig. 9

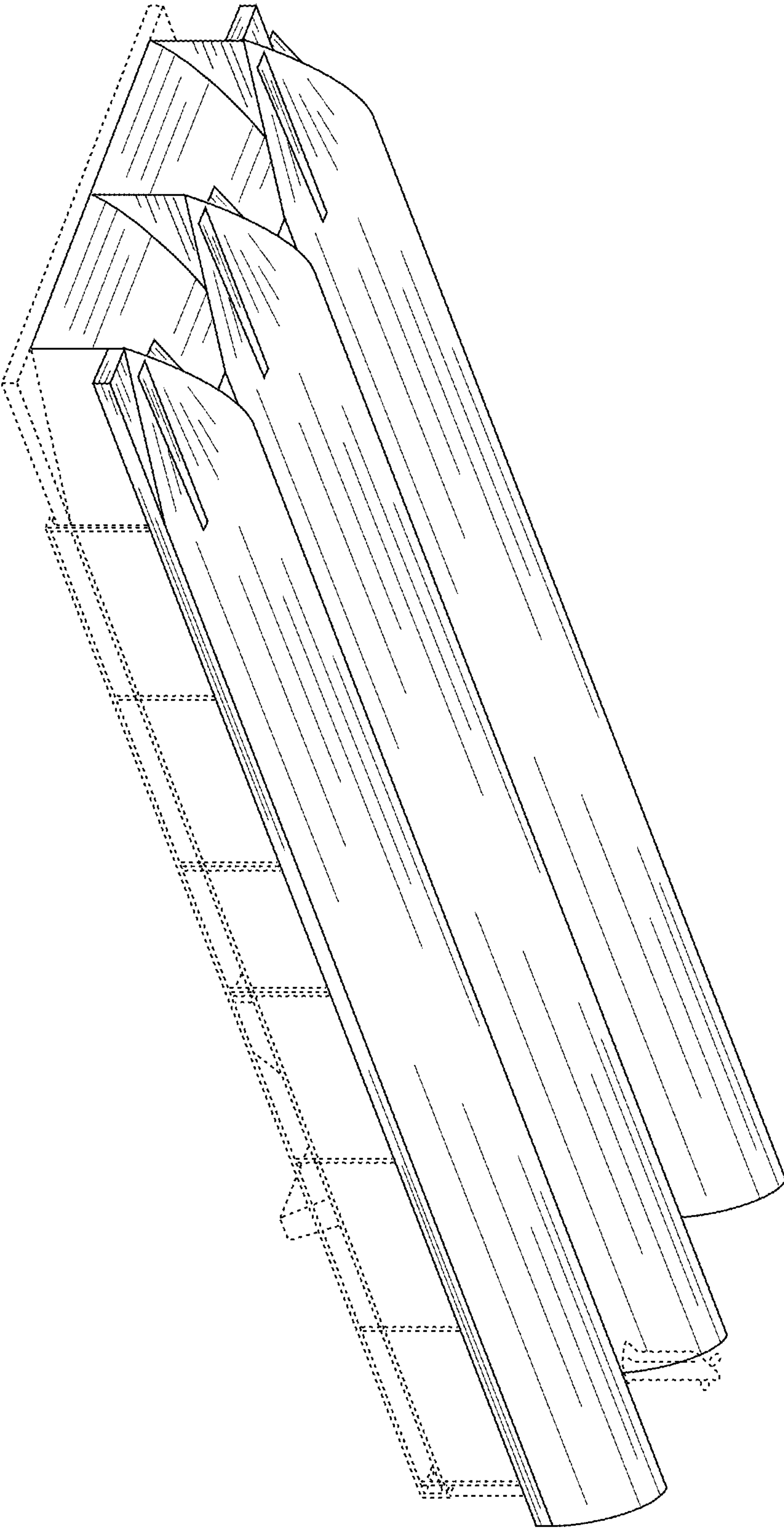


Fig. 10

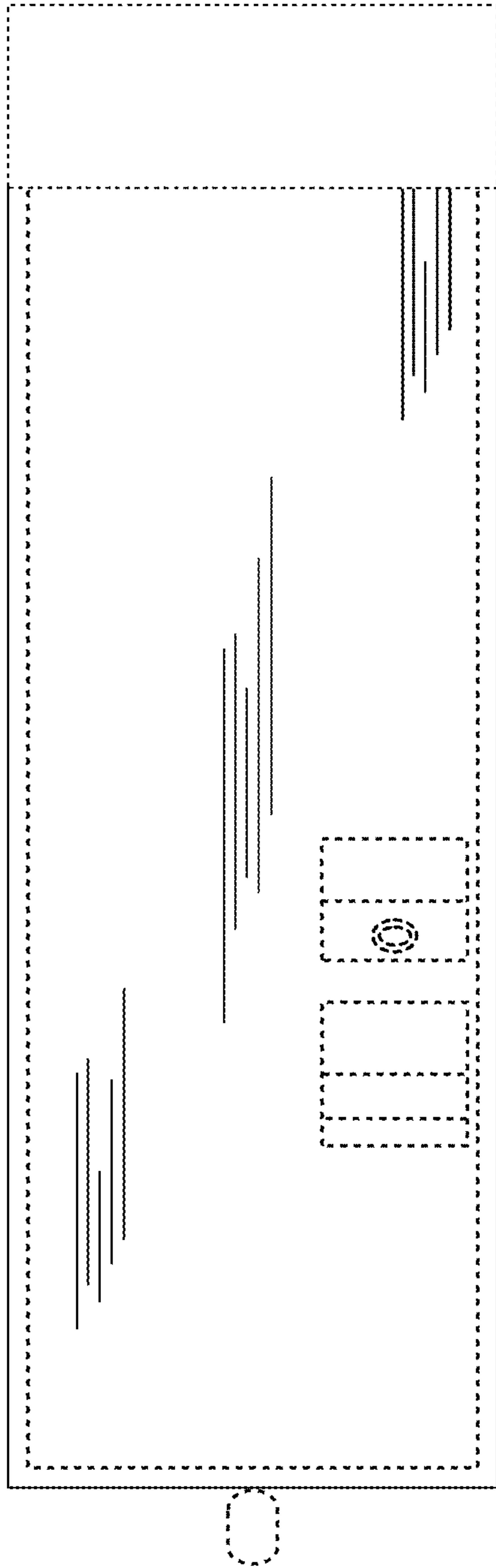


Fig. 11



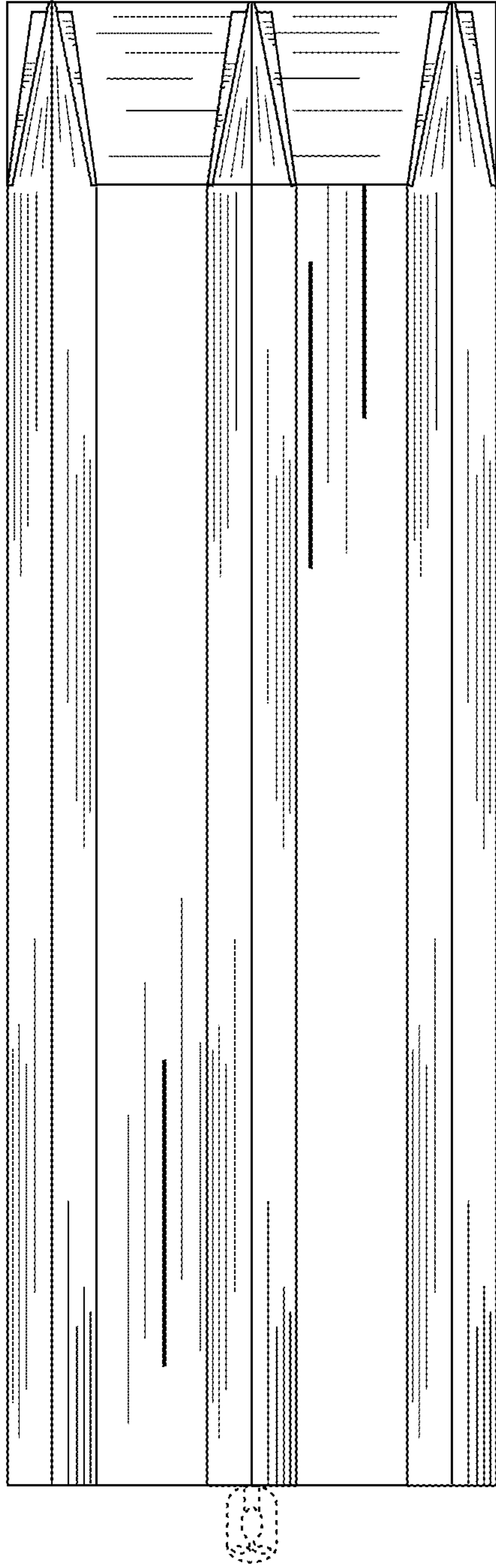


Fig. 12

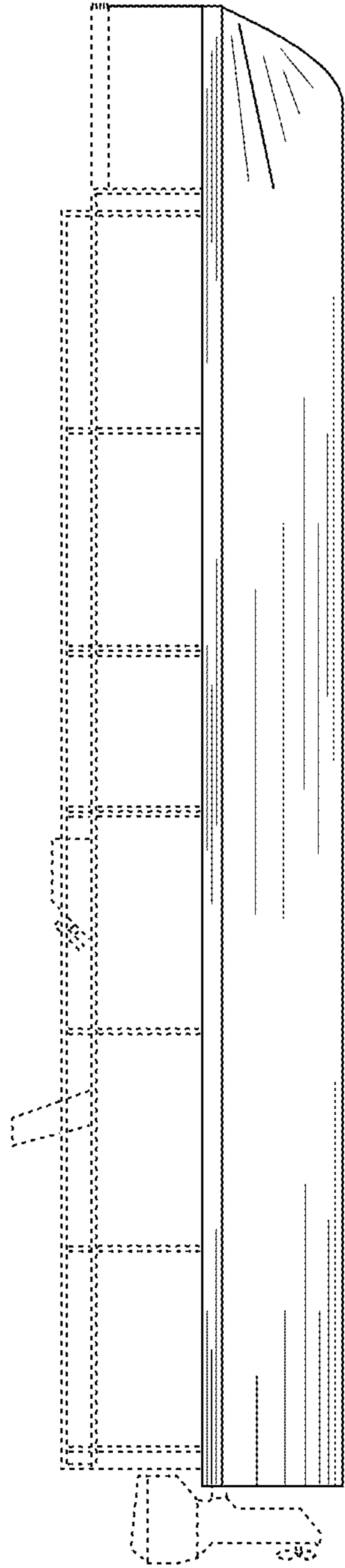


Fig. 13

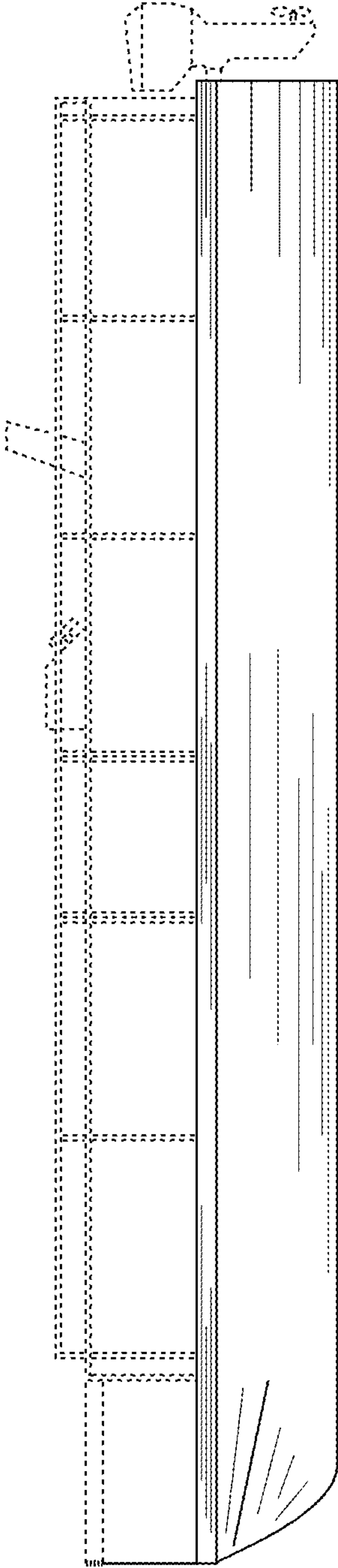


Fig. 14

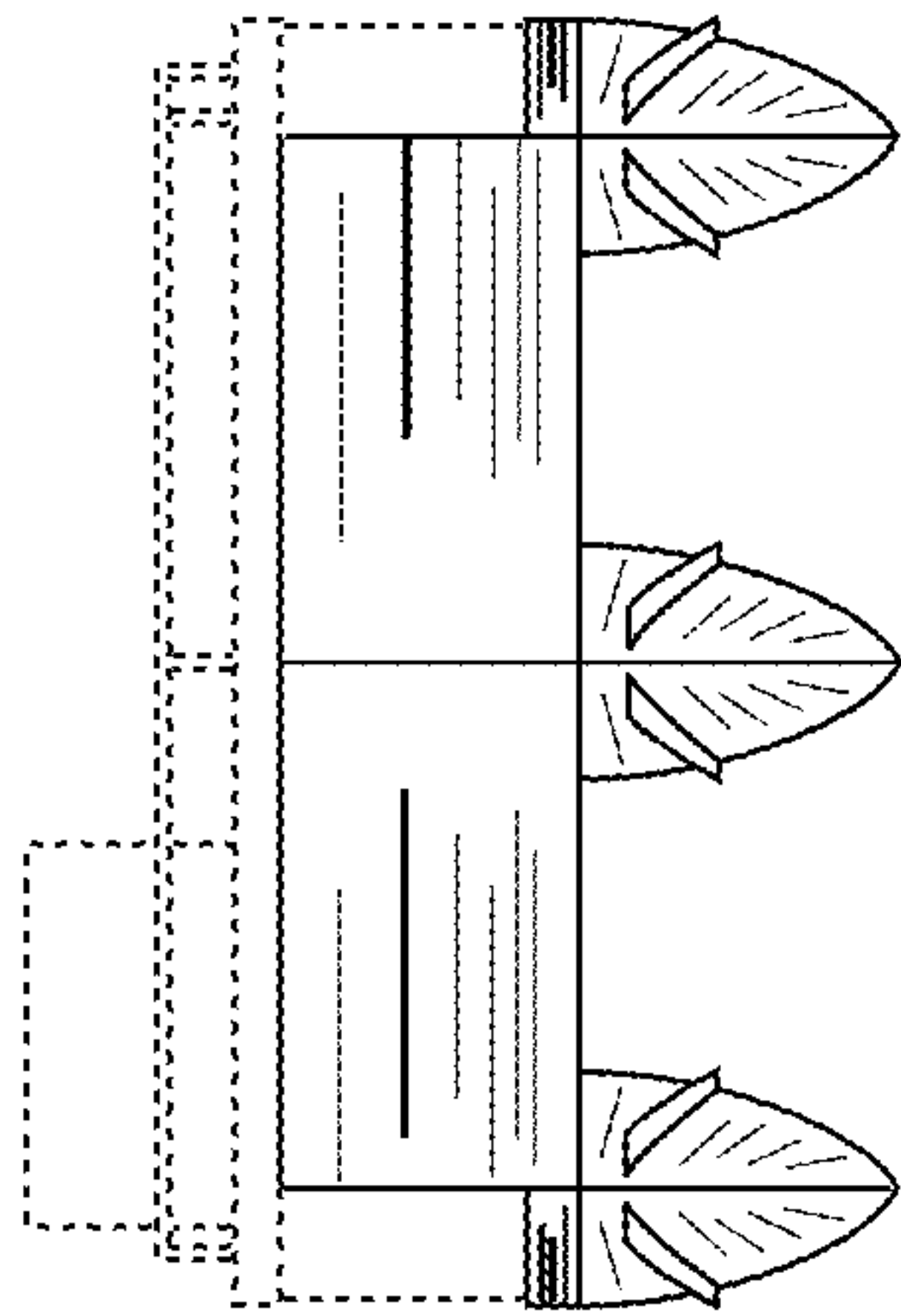


Fig. 15

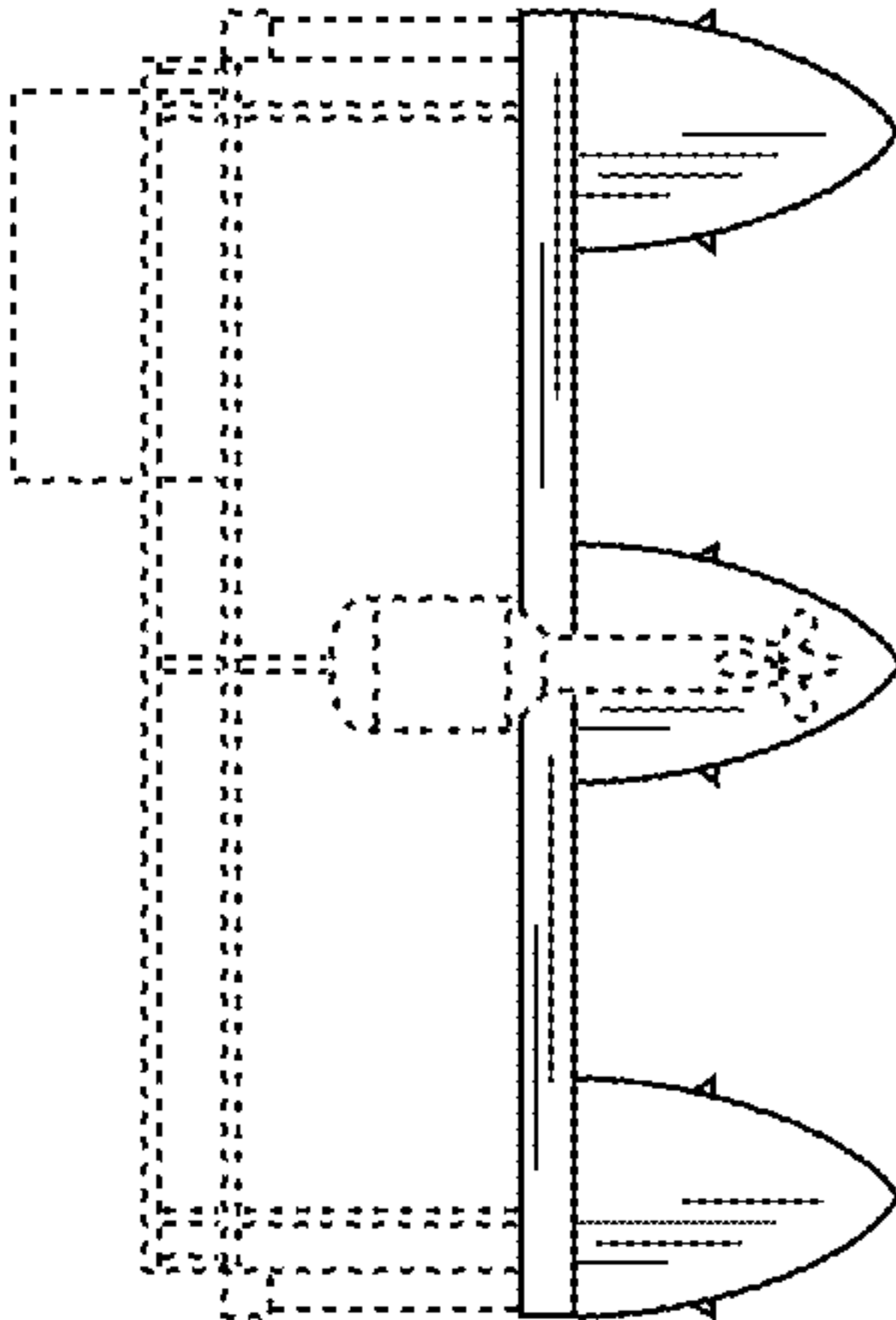


Fig. 16