



US00D872000S

(12) **United States Design Patent**  
**Piskur et al.**

(10) **Patent No.:** **US D872,000 S**  
(45) **Date of Patent:** **\*\* Jan. 7, 2020**

(54) **RETRACTABLE TOW STRAP REEL**

(71) Applicant: **HORIZON GLOBAL AMERICAS INC.**, Plymouth, MI (US)

(72) Inventors: **Theodore Piskur**, Plymouth, MI (US);  
**Dhananjay Deshpande**, Twinsburg, OH (US);  
**Cynthia Eubank**, New Franklin, OH (US)

(73) Assignee: **HORIZON GLOBAL AMERICAS INC.**, Plymouth, MI (US)

(\*\*) Term: **15 Years**

(21) Appl. No.: **29/608,776**

(22) Filed: **Jun. 26, 2017**

(51) **LOC (12) Cl.** ..... **12-16**

(52) **U.S. Cl.**  
USPC ..... **D12/216**

(58) **Field of Classification Search**  
USPC ..... D12/159, 160, 161, 162  
CPC ..... B60D 1/025; B60D 1/06; B60D 1/065;  
B60D 1/30; B60D 1/44; B60D 1/46;  
B60D 1/54; B60D 1/62; B60D 2001/001;  
B60D 2001/544

See application file for complete search history.

(56) **References Cited**

**U.S. PATENT DOCUMENTS**

D705,135 S \* 5/2014 Barrette ..... D12/162  
D825,401 S \* 8/2018 Stickles ..... D12/162

D844,494 S \* 4/2019 Miller ..... D12/162  
D851,544 S \* 6/2019 Stickles ..... D12/162  
2011/0163286 A1\* 7/2011 Kempf ..... B66C 9/02  
254/285  
2012/0065018 A1\* 3/2012 Wilkins ..... F16H 1/32  
475/162

\* cited by examiner

*Primary Examiner* — Khawaja Anwar

(74) *Attorney, Agent, or Firm* — McDonald Hopkins LLC

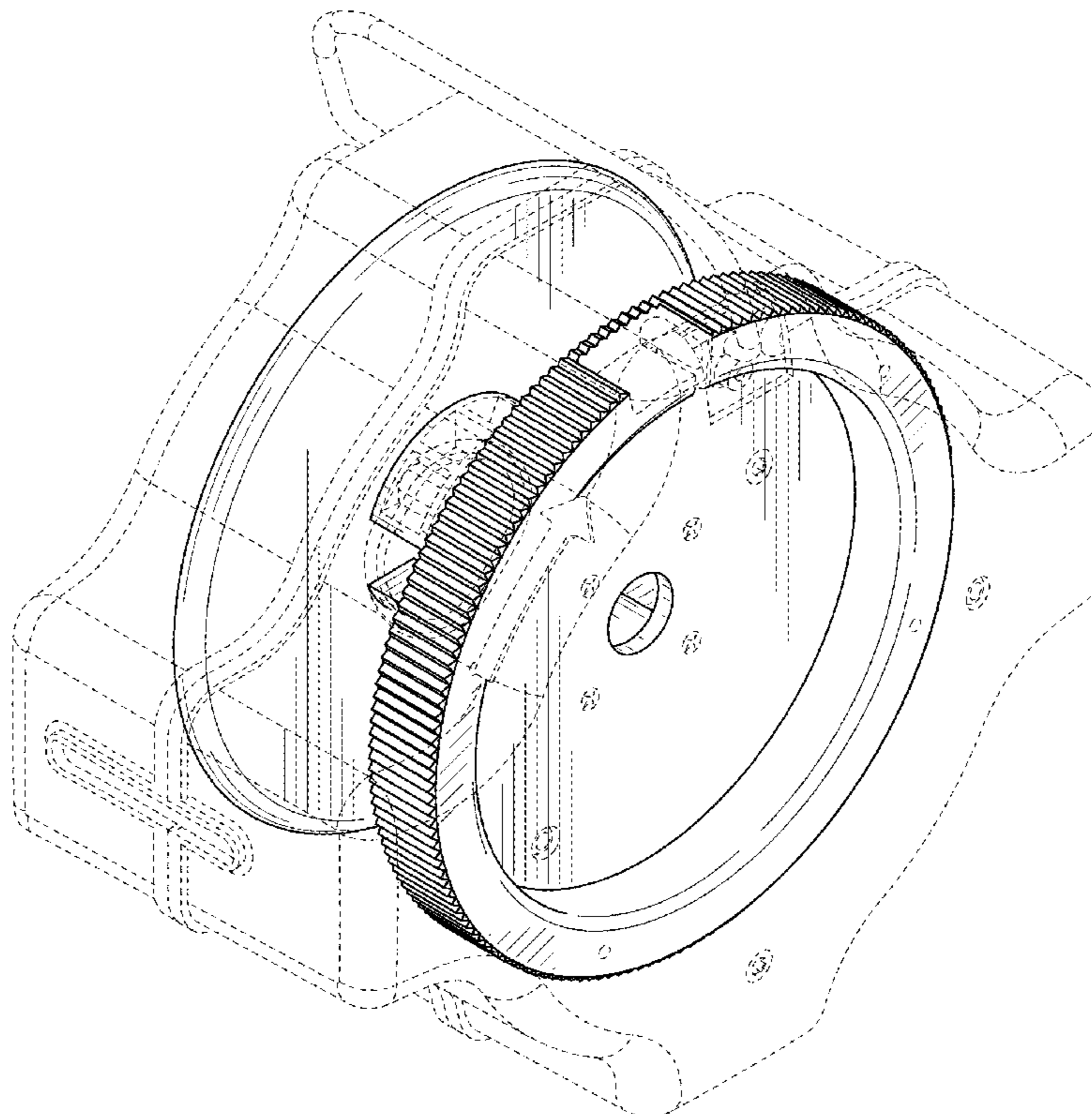
(57) **CLAIM**

The ornamental design of a retractable tow strap reel, as shown and described.

**DESCRIPTION**

FIG. 1 is a perspective view of a retractable tow strap reel showing my new design;  
FIG. 2 is a first side view thereof;  
FIG. 3 is a second side view thereof;  
FIG. 4 is a front view thereof; and,  
FIG. 5 is a top view thereof;  
The features shown in broken lines in the drawing figures depict environmental subject matter only and form no part of the claimed design.

**1 Claim, 5 Drawing Sheets**



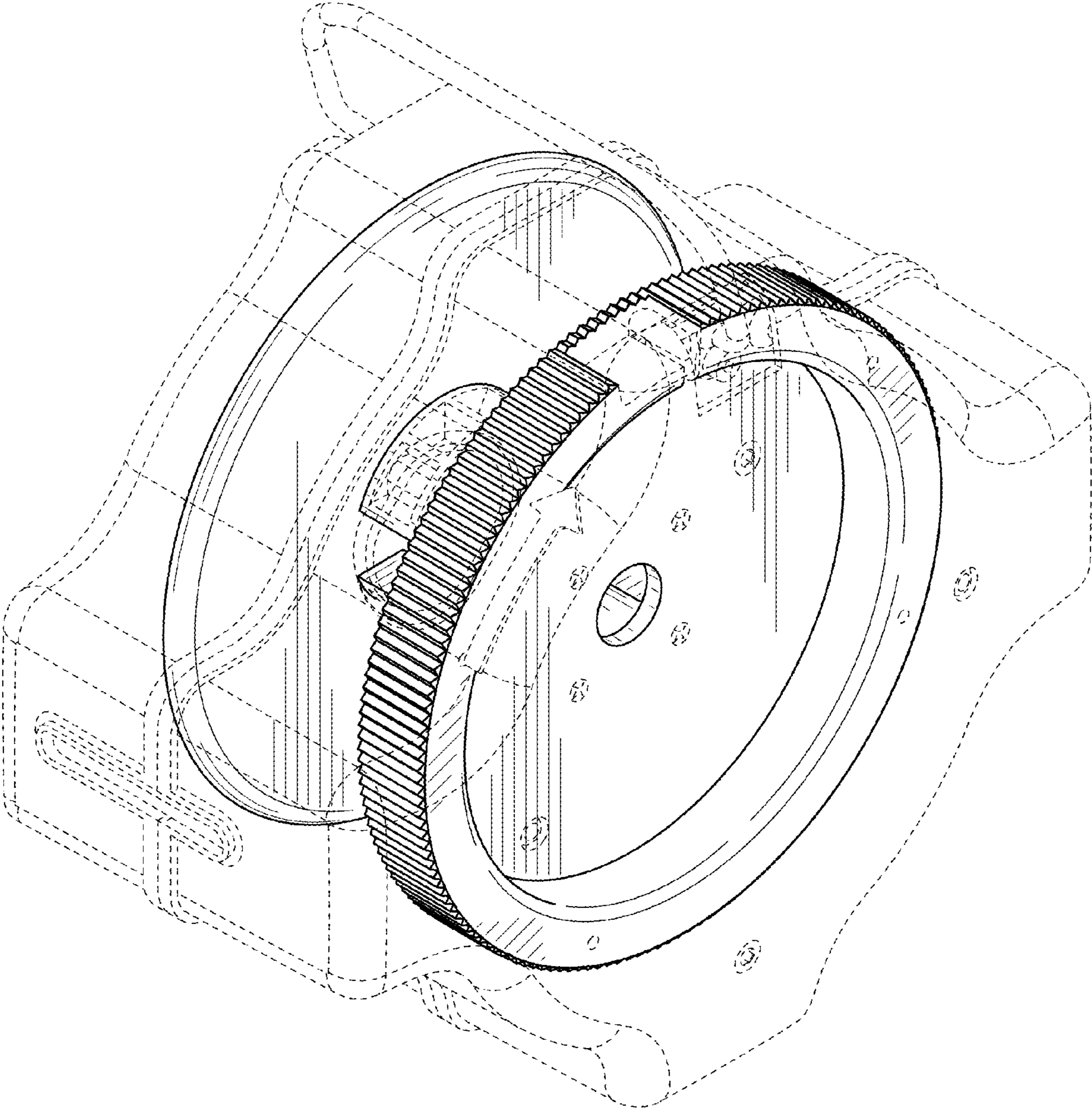


FIG. 1

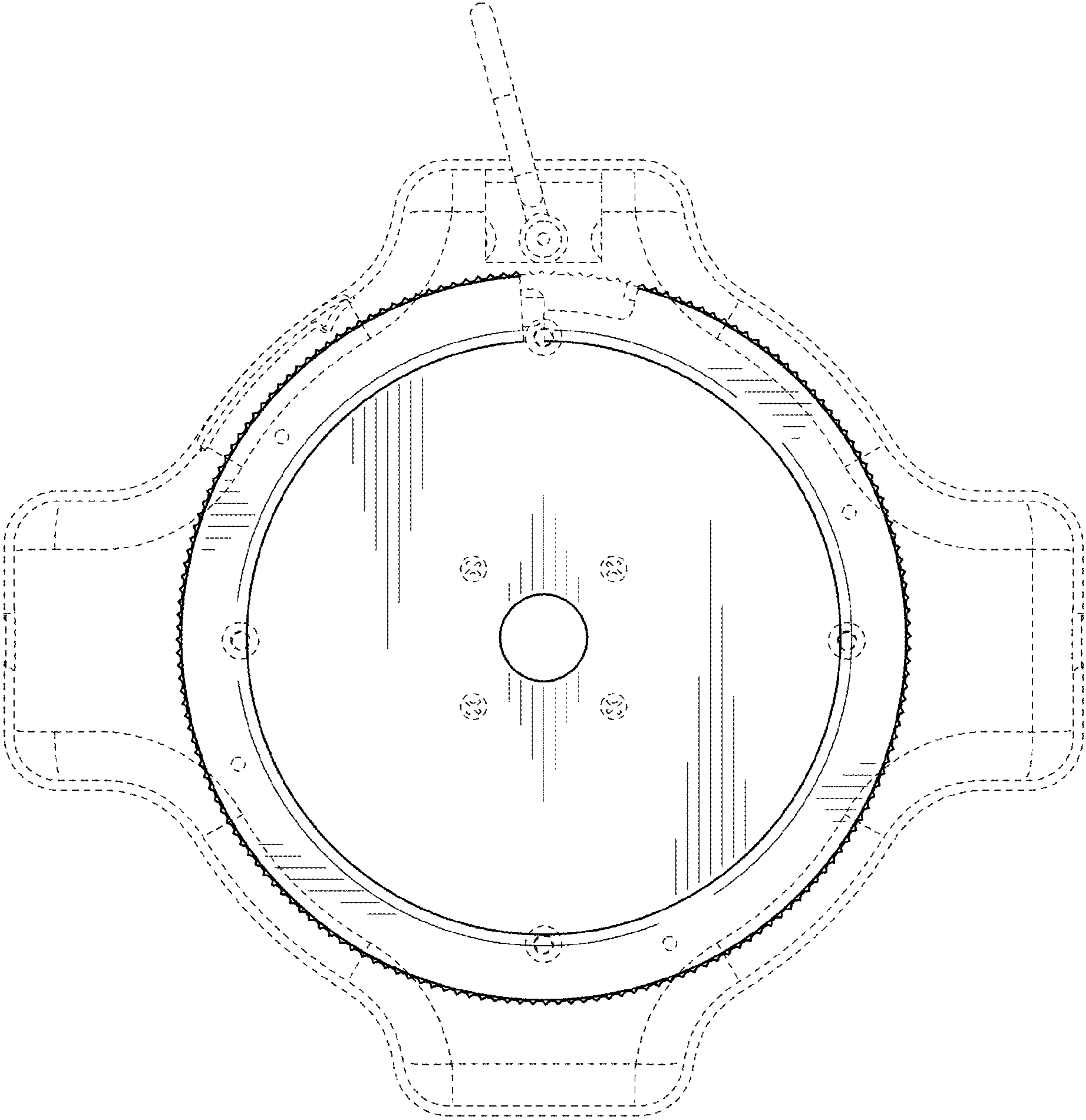


FIG. 2

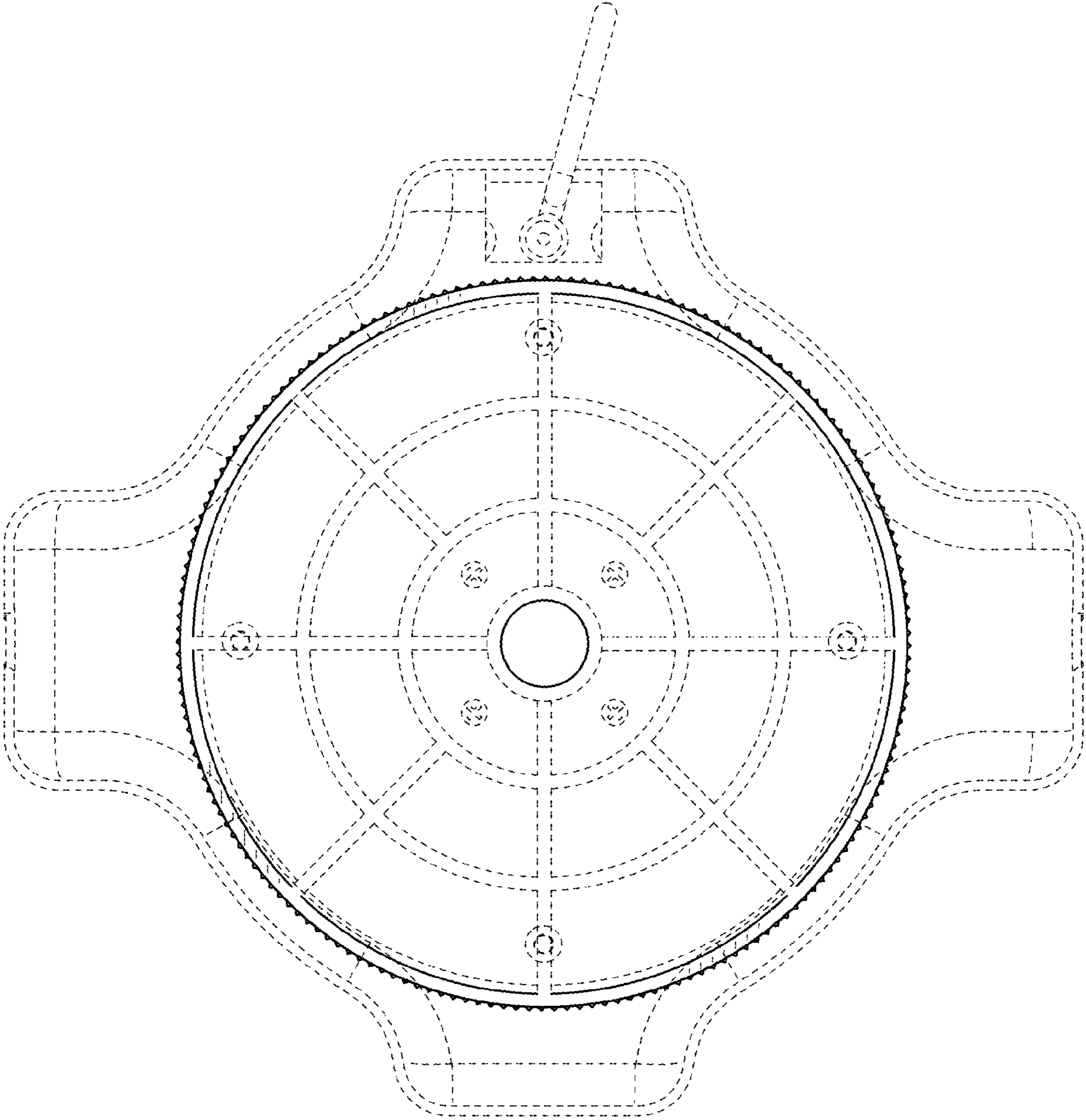


FIG. 3

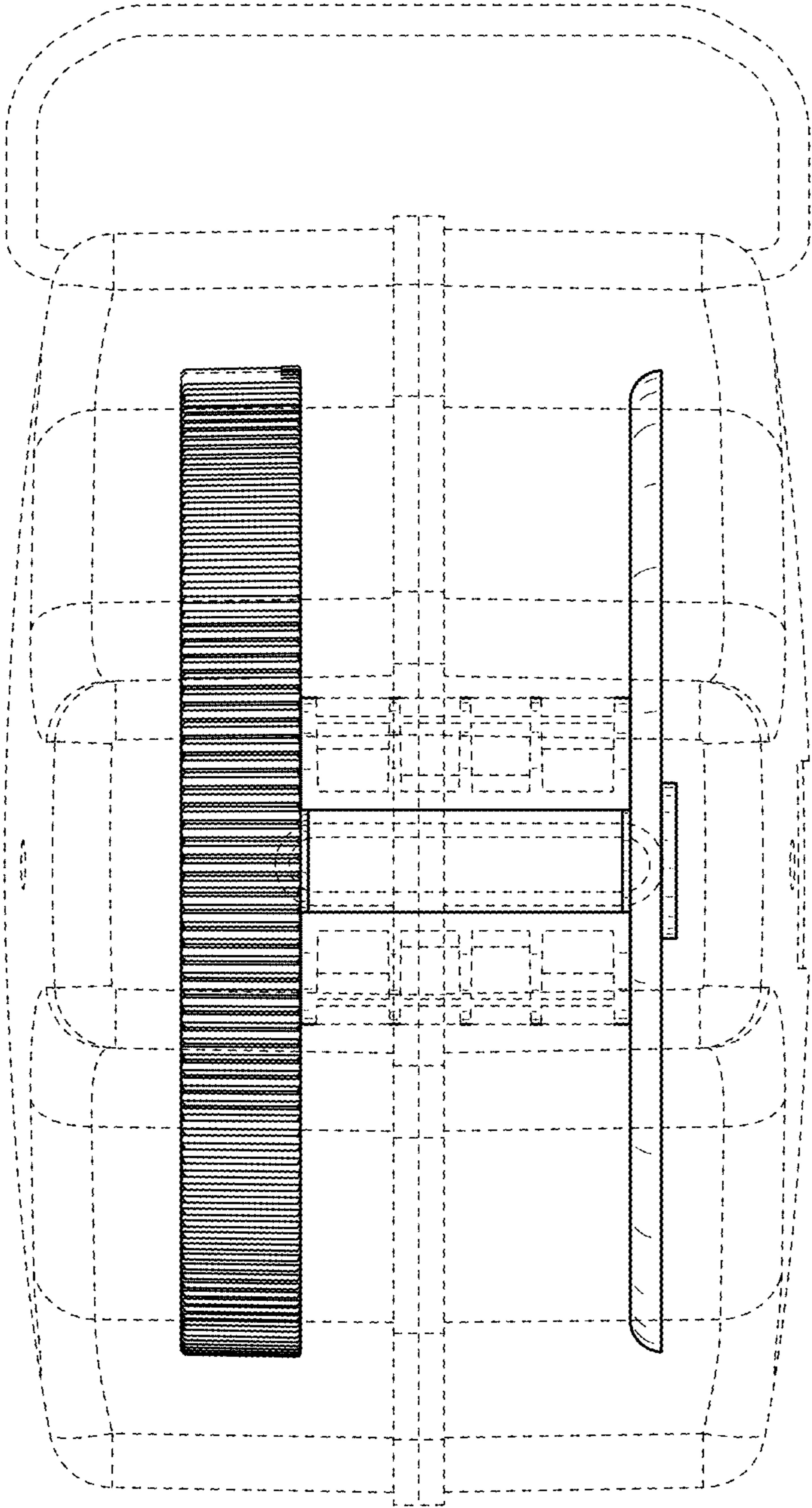


FIG. 4

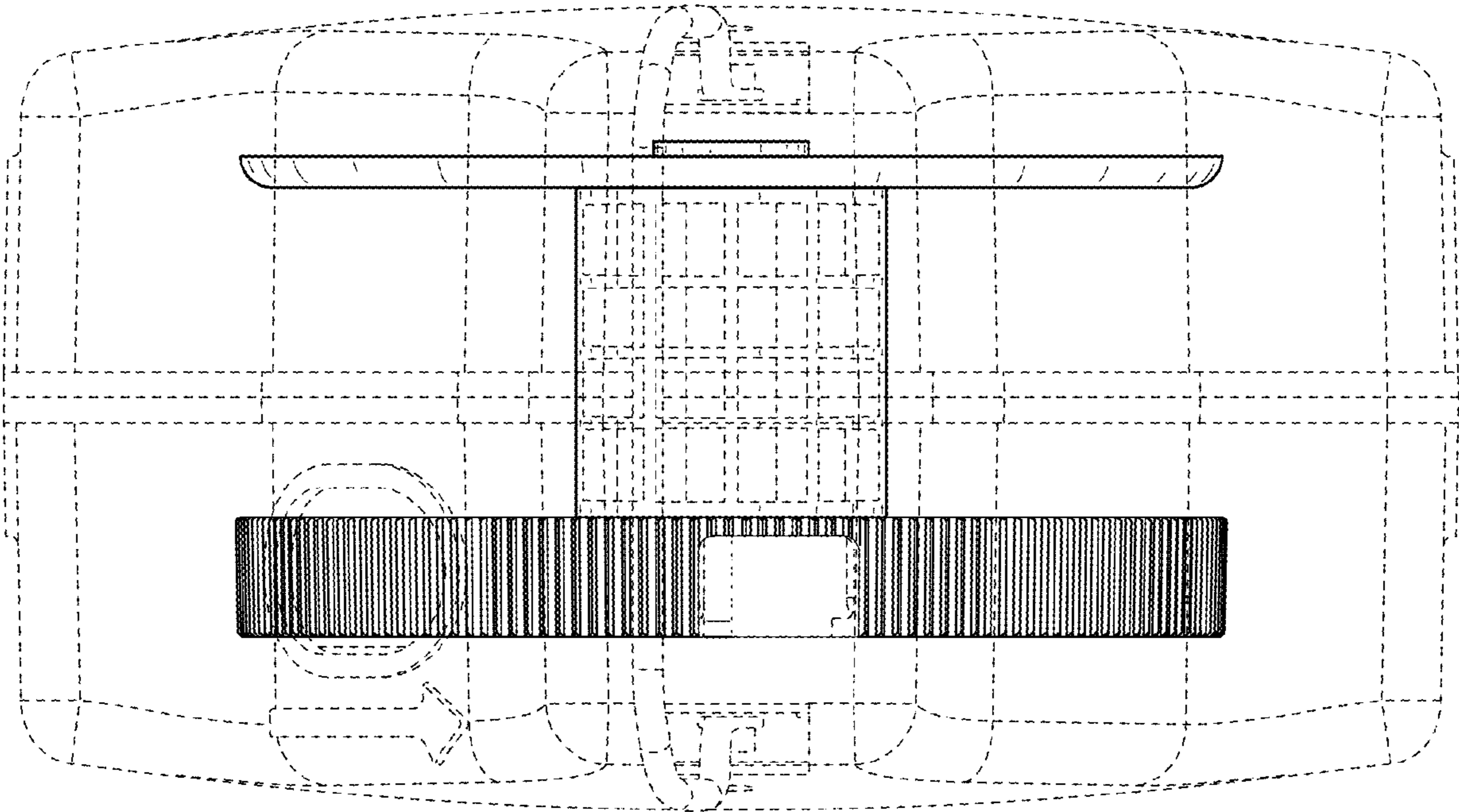


FIG. 5