



US00D871991S

(12) **United States Design Patent** (10) **Patent No.:** **US D871,991 S**
Cartwright et al. (45) **Date of Patent:** **** Jan. 7, 2020**

(54) **AUTOMOBILE LOGO AND/OR REPLICA THEREOF**

(74) *Attorney, Agent, or Firm* — Dorsey & Whitney LLP

(71) Applicant: **ASTON MARTIN LAGONDA LIMITED**, Warwick (GB)

(57) **CLAIM**

The ornamental design for an automobile logo and/or replica thereof, as shown and described.

(72) Inventors: **Tyler Cartwright**, Warwick (GB); **Sam Holgate**, Warwick (GB)

DESCRIPTION

(73) Assignee: **ASTON MARTIN LAGONDA LIMITED** (GB)

FIG. 1 is a front isometric view of an automobile logo and/or replica thereof in accordance with a first embodiment of the present design.

(**) Term: **15 Years**

FIG. 2 is an enlarged detail view of FIG. 1 and taken along detail line 2-2 of FIG. 1.

(21) Appl. No.: **29/658,851**

FIG. 3 is a front elevation view of FIG. 1.

(22) Filed: **Aug. 3, 2018**

FIG. 4 is an enlarged detail view of FIG. 3 and taken along detail line 4-4 of FIG. 3.

(30) **Foreign Application Priority Data**

FIG. 5 is a right side elevation view of FIG. 1.

Feb. 5, 2018 (EM) 004695815-0005

FIG. 6 is an enlarged detail view of FIG. 5 and taken along detail line 6-6 of FIG. 5.

Feb. 5, 2018 (EM) 004695815-0006

(51) **LOC (12) Cl.** **12-16**

FIG. 7 is a front isometric view of an automobile logo and/or replica thereof in accordance with a second embodiment of the present design.

(52) **U.S. Cl.**

USPC **D12/197**

FIG. 8 is an enlarged detail view of FIG. 7 and taken along detail line 8-8 of FIG. 7.

(58) **Field of Classification Search**

USPC D12/197-201, 181, 110, 114, 218;
D11/162, 124, 160, 128

FIG. 9 is a front elevation view of FIG. 7.

(Continued)

FIG. 10 is an enlarged detail view of FIG. 9 and taken along detail line 10-10 of FIG. 9.

(56) **References Cited**

U.S. PATENT DOCUMENTS

D167,833 S * 9/1952 Hieger D12/197

D173,133 S * 10/1954 Arbib D11/95

(Continued)

FIG. 11 is a right side elevation view of FIG. 7.

FIG. 12 is an enlarged detail view of FIG. 11 and taken along detail line 12-12 of FIG. 11.

FIG. 13 is a front isometric view of an automobile logo and/or replica thereof in accordance with a third embodiment of the present design.

OTHER PUBLICATIONS

U.S. Appl. No. 29/573,909, filed Aug. 10, 2016, Cooper.

(Continued)

FIG. 14 is an enlarged detail view of FIG. 13 and taken along detail line 14-14 of FIG. 13.

FIG. 15 is a front elevation view of FIG. 13.

FIG. 16 is an enlarged detail view of FIG. 15 and taken along detail line 16-16 of FIG. 15.

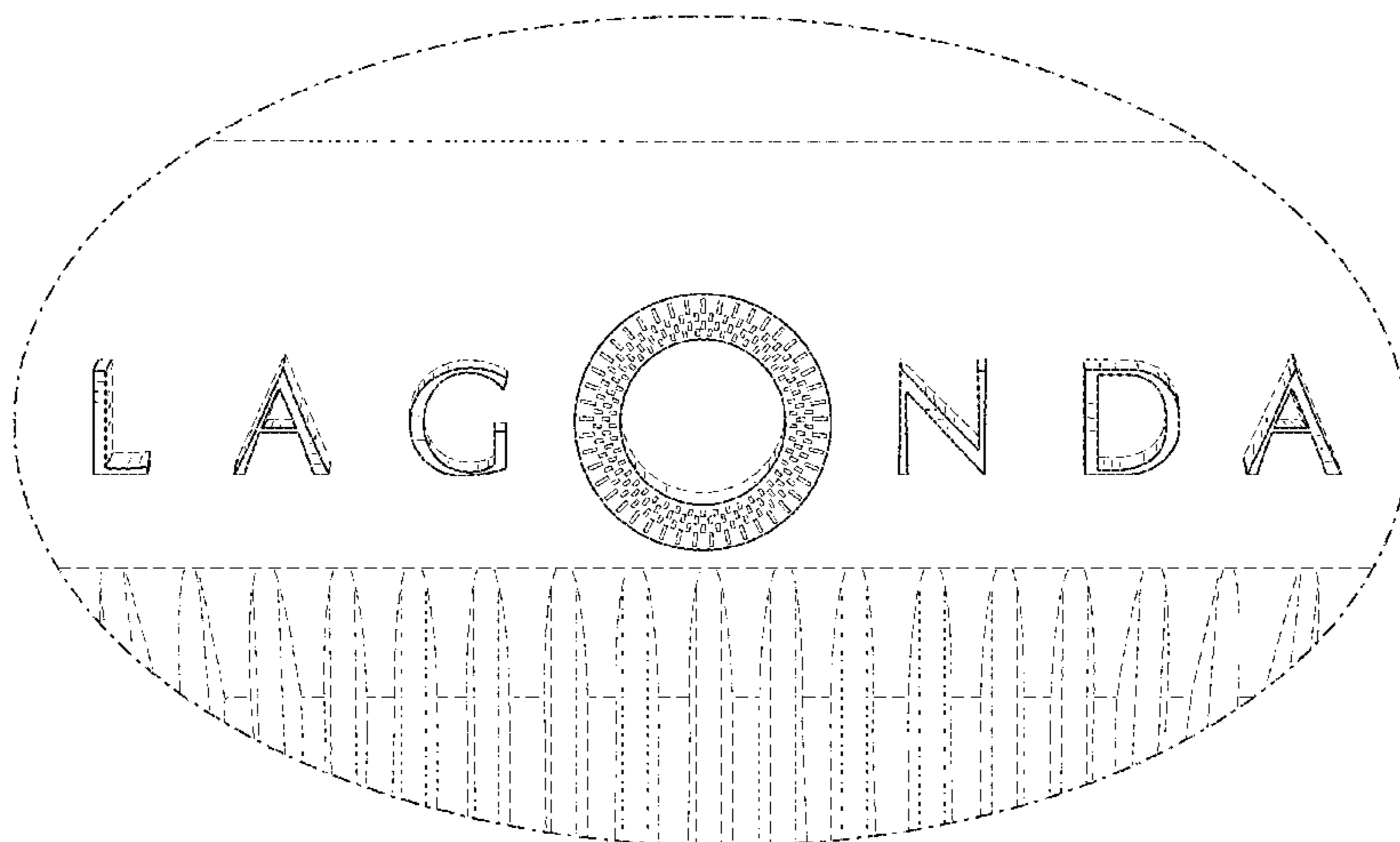
FIG. 17 is a right side elevation view of FIG. 13; and,

FIG. 18 is an enlarged detail view of FIG. 17 and taken along detail line 18-18 of FIG. 17.

The broken line showing of the automobile illustrates environment and forms no part of the claimed design. All other

Primary Examiner — Katrina A Betton

(Continued)



broken lines illustrate portions of the automobile logo and/or replica thereof that form no part of the claimed design.

1 Claim, 15 Drawing Sheets

(58) Field of Classification Search

CPC B60R 13/005
See application file for complete search history.

(56) References Cited

U.S. PATENT DOCUMENTS

D393,617 S	*	4/1998	Smith	D12/197
D402,927 S	*	12/1998	Davidson	D12/114
D453,313 S	*	2/2002	Sauter	D12/190
D579,393 S	*	10/2008	Yoon	D12/197
D595,779 S	*	7/2009	Sauter	D12/400
D597,911 S	*	8/2009	Hu	D12/190
D620,396 S		7/2010	Reichman et al.		
D626,466 S		11/2010	Reichman et al.		
D629,718 S		12/2010	Reichman et al.		
D629,719 S		12/2010	Reichman et al.		
D629,725 S		12/2010	Reichman et al.		
D630,140 S		1/2011	Reichman et al.		
D655,641 S	*	3/2012	Richter	D11/95
D670,640 S		11/2012	Reichman et al.		
D687,348 S		8/2013	Nurnberger		
D688,178 S	*	8/2013	Sauter	D12/190
D689,812 S		9/2013	Reichman et al.		
D692,800 S		11/2013	Wiltshire		
D704,102 S		5/2014	Nurnberger		
D704,601 S		5/2014	Nurnberger		
D708,982 S	*	7/2014	Maudlin	D11/132
D726,079 S		4/2015	Reichman et al.		
D727,804 S		4/2015	Nurnberger		
D730,777 S		6/2015	Nurnberger		
D739,789 S		9/2015	Payne		
D740,725 S		10/2015	Payne		
D758,247 S		6/2016	Nurnberger et al.		
D766,474 S		9/2016	Holgate et al.		
D772,128 S		11/2016	Platt		
D774,950 S		12/2016	Holgate et al.		
D774,995 S		12/2016	Holgate et al.		
D777,070 S		1/2017	Nurnberger		
D778,790 S		2/2017	Nurnberger		
D780,632 S		3/2017	Nurnberger		
D780,633 S		3/2017	Nurnberger et al.		
D780,634 S		3/2017	Nurnberger et al.		

D780,636 S		3/2017	Kahn		
D785,525 S		5/2017	Nurnberger		
D786,155 S		5/2017	Holgate et al.		
D786,744 S		5/2017	Nurnberger et al.		
D793,901 S	*	8/2017	Elia	D11/157
D796,404 S		9/2017	Nurnberger		
D800,619 S		10/2017	Platt		
D801,558 S		10/2017	Nurnberger et al.		
D815,995 S		4/2018	Nurnberger et al.		
D817,814 S		5/2018	Nurnberger et al.		
D820,164 S		6/2018	Nurnberger et al.		
D825,387 S		8/2018	Nurnberger et al.		
D826,106 S		8/2018	Kahn		
D827,166 S		8/2018	Nurnberger et al.		
D827,410 S		9/2018	Earley		
D827,411 S		9/2018	Earley		
D827,507 S		9/2018	Nurnberger et al.		
D830,917 S		10/2018	Nurnberger et al.		
D833,187 S		11/2018	Earley		
D835,548 S		12/2018	Nurnberger et al.		
D838,017 S		1/2019	Nurnberger et al.		
D838,018 S		1/2019	Nurnberger et al.		

OTHER PUBLICATIONS

U.S. Appl. No. 29/582,170, filed Oct. 25, 2016, Earley.
 U.S. Appl. No. 29/583,278, filed Nov. 3, 2016, Nurnberger et al.
 U.S. Appl. No. 29/589,586, filed Jan. 3, 2017, Nurnberger et al.
 U.S. Appl. No. 29/616,003, filed Sep. 1, 2017, Re et al.
 U.S. Appl. No. 29/616,006, filed Sep. 1, 2017, Re et al.
 U.S. Appl. No. 29/616,008, filed Sep. 1, 2017, Re et al.
 U.S. Appl. No. 29/616,010, filed Sep. 1, 2017, Re et al.
 U.S. Appl. No. 29/616,014, filed Sep. 1, 2017, Re et al.
 U.S. Appl. No. 29/621,813, filed Oct. 11, 2017, Nurnberger et al.
 U.S. Appl. No. 29/621,815, filed Oct. 11, 2017, Nurnberger et al.
 U.S. Appl. No. 29/626,411, filed Nov. 16, 2017, Nurnberger et al.
 U.S. Appl. No. 29/626,415, filed Nov. 16, 2017, Nurnberger et al.
 U.S. Appl. No. 29/626,419, filed Nov. 16, 2017, Hill et al.
 U.S. Appl. No. 29/626,801, filed Nov. 20, 2017, Hill et al.
 U.S. Appl. No. 29/631,883, filed Jan. 3, 2018, Hill et al.
 U.S. Appl. No. 29/631,887, filed Jan. 3, 2018, Hill et al.
 U.S. Appl. No. 29/647,968, filed May 17, 2018, Holgate.
 U.S. Appl. No. 29/674,083, filed Dec. 19, 2018, Holgate et al.
 Aston Martin 2013, "Aston Martin Centenary Celebration Programme," 2013; 204 pages.
 1976 and 1987 Aston Martin Lagonda, [online], [site visited Jul. 24, 2014], Available from Internet, <URL: <http://www.astonmartin.com/heritage/past-models/lagonda>>, 2 pages.

* cited by examiner

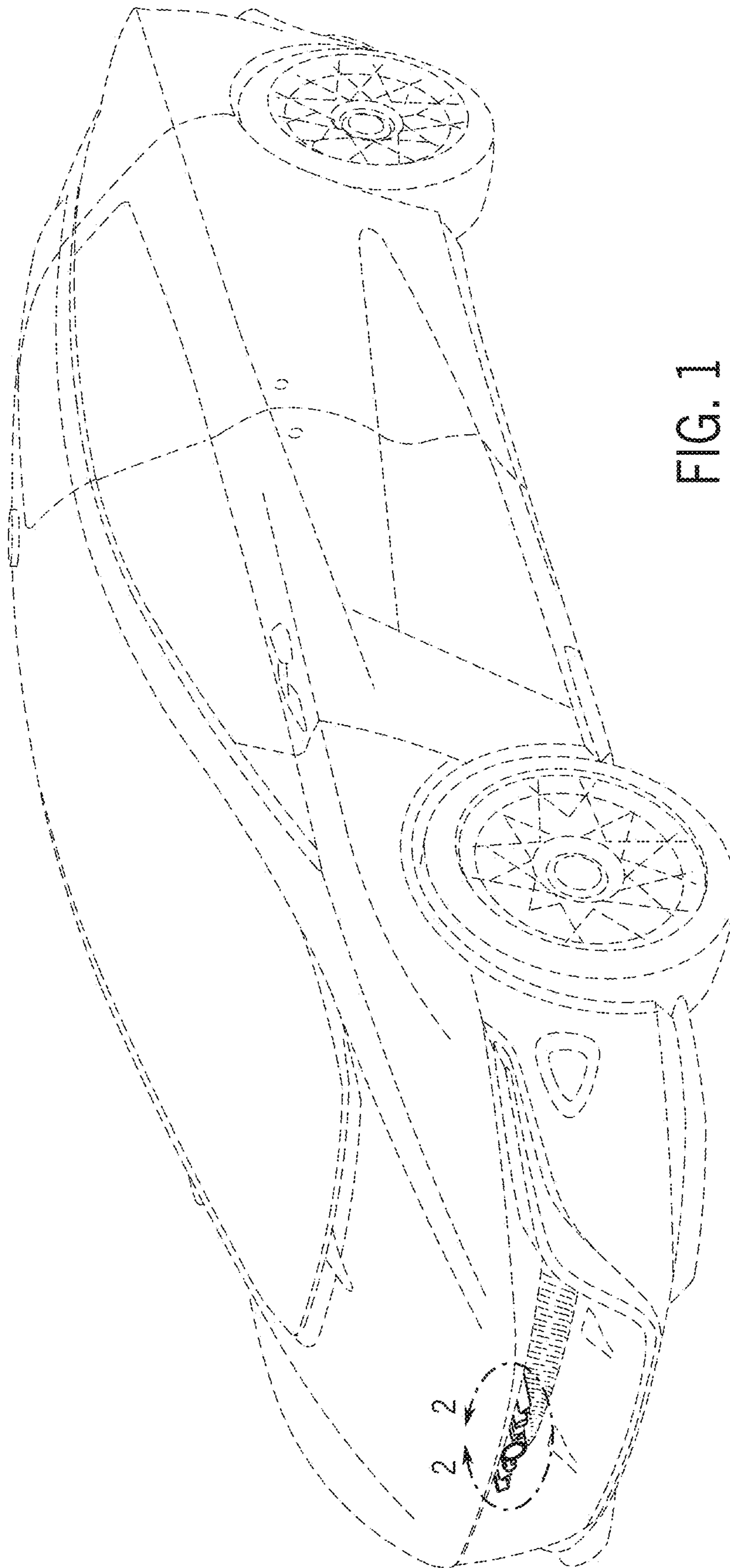


FIG. 1

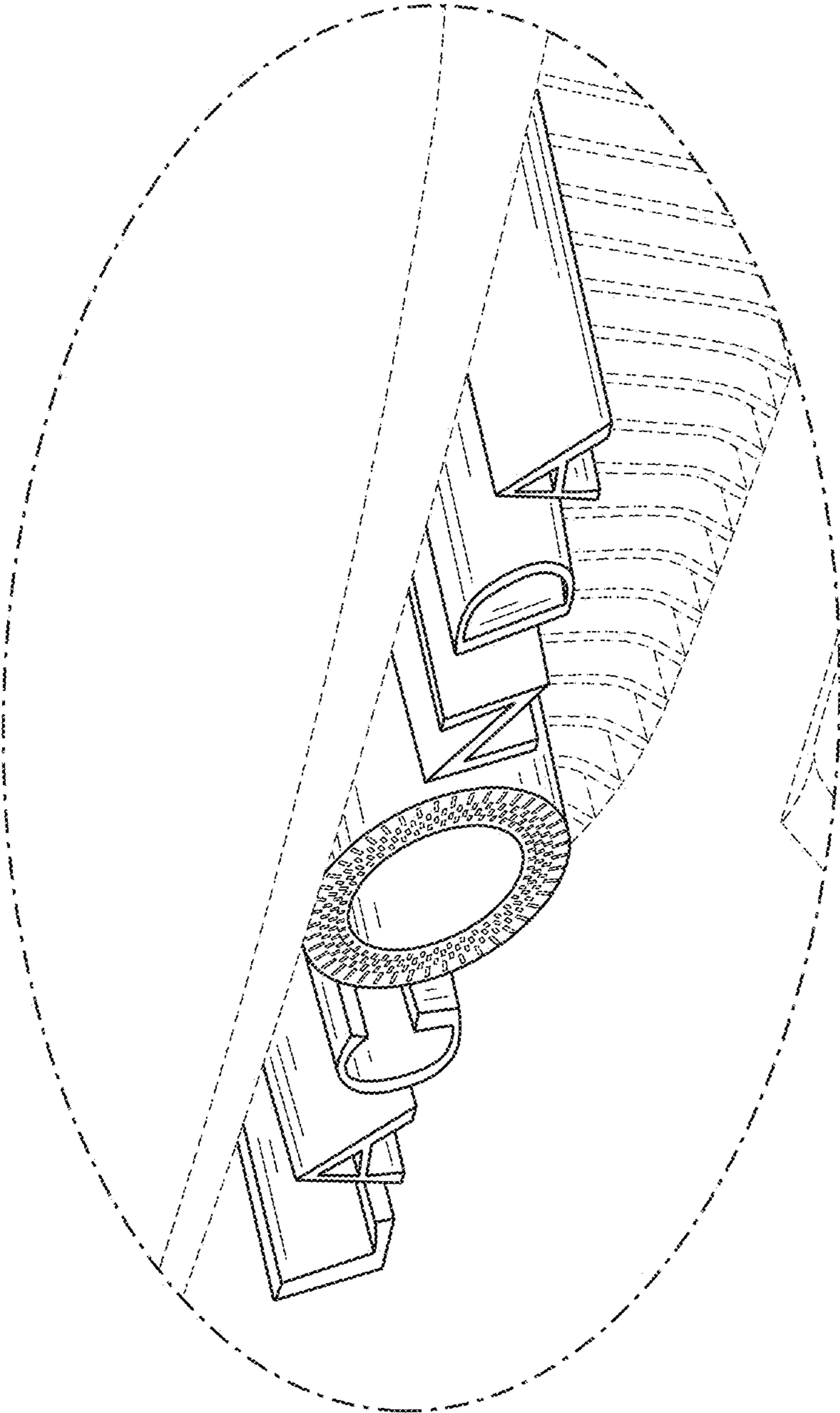


FIG. 2

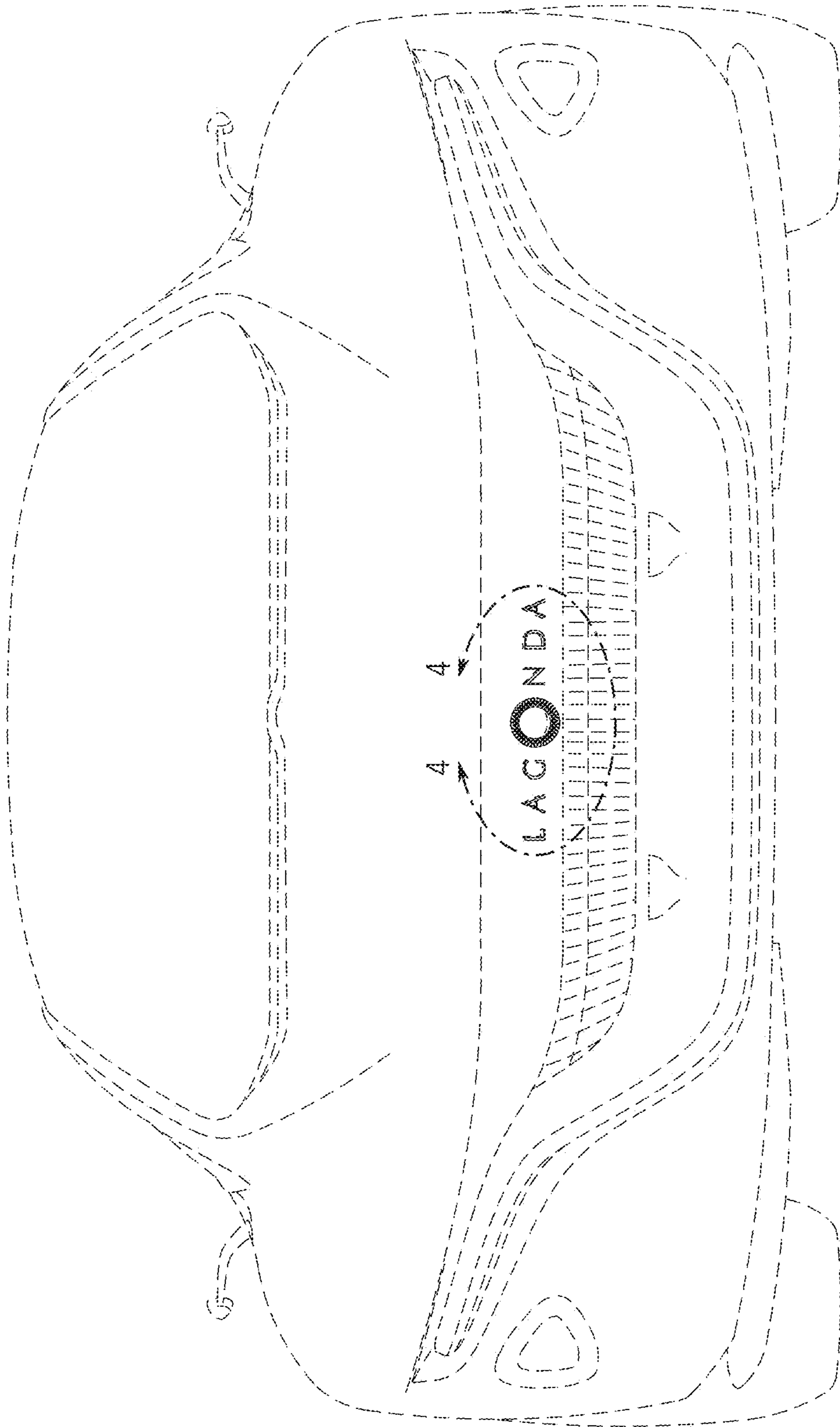


FIG. 3

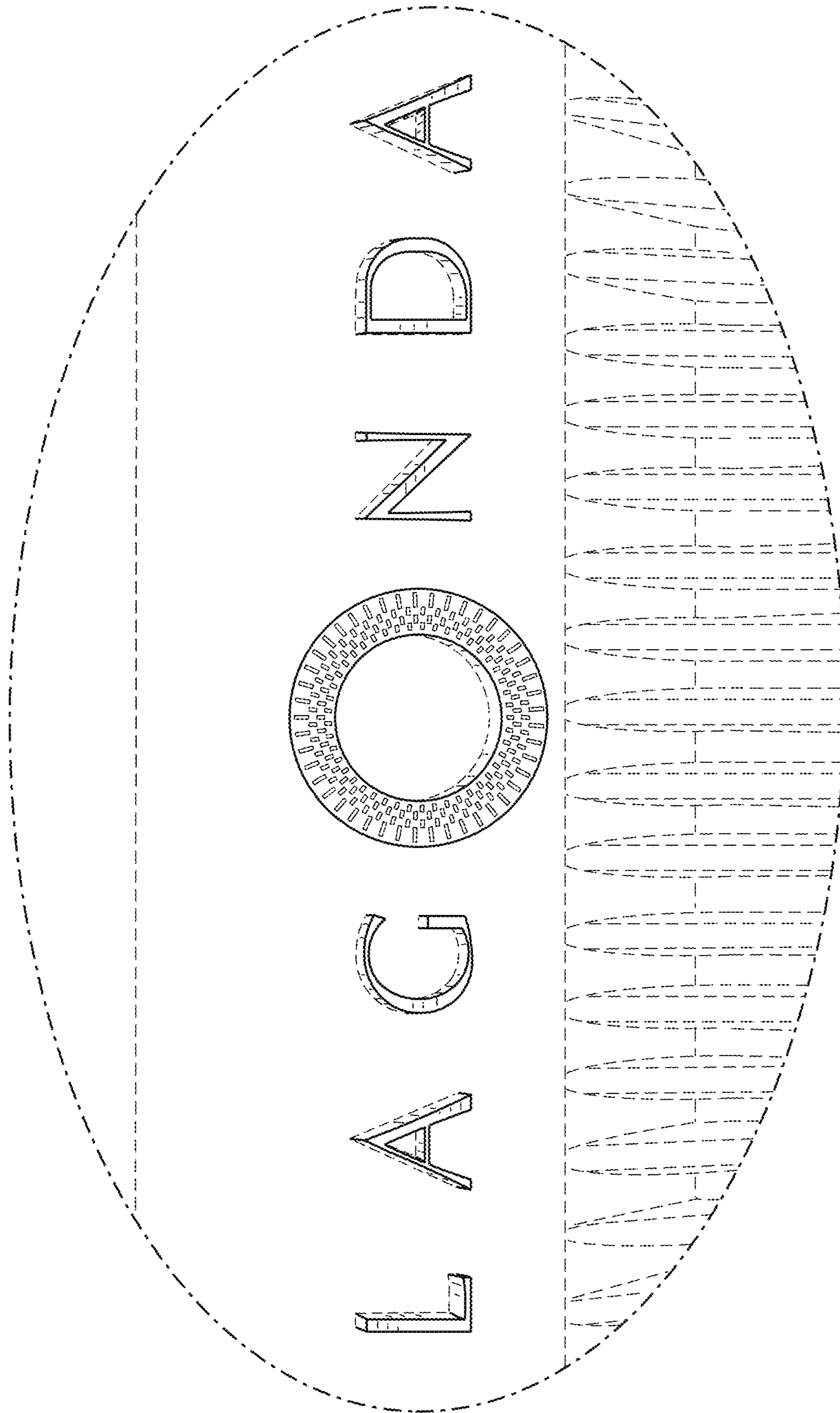


FIG. 4

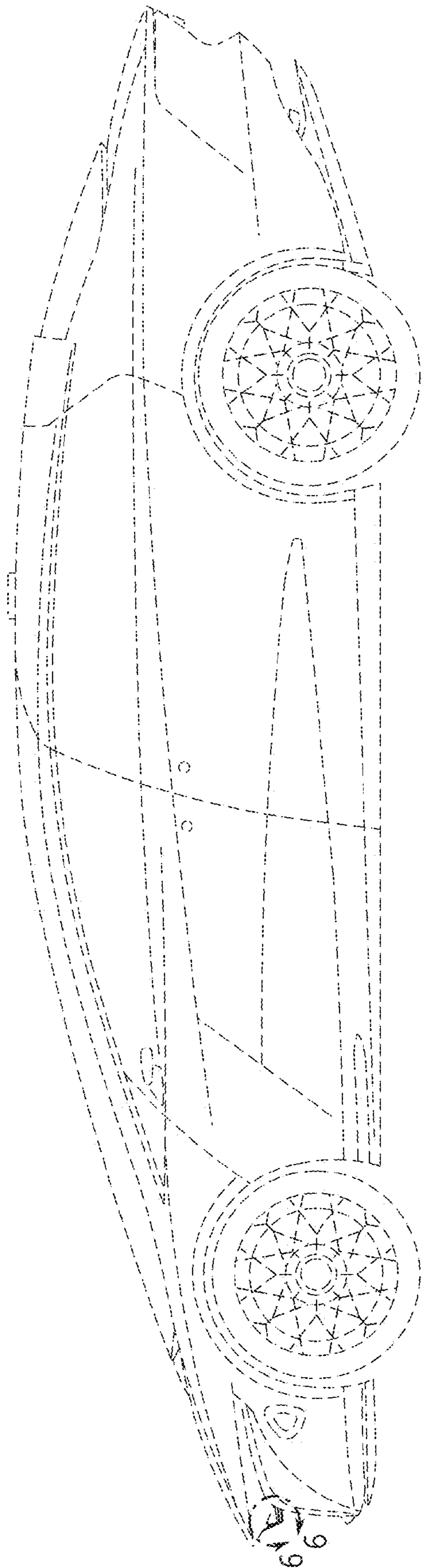


FIG. 5

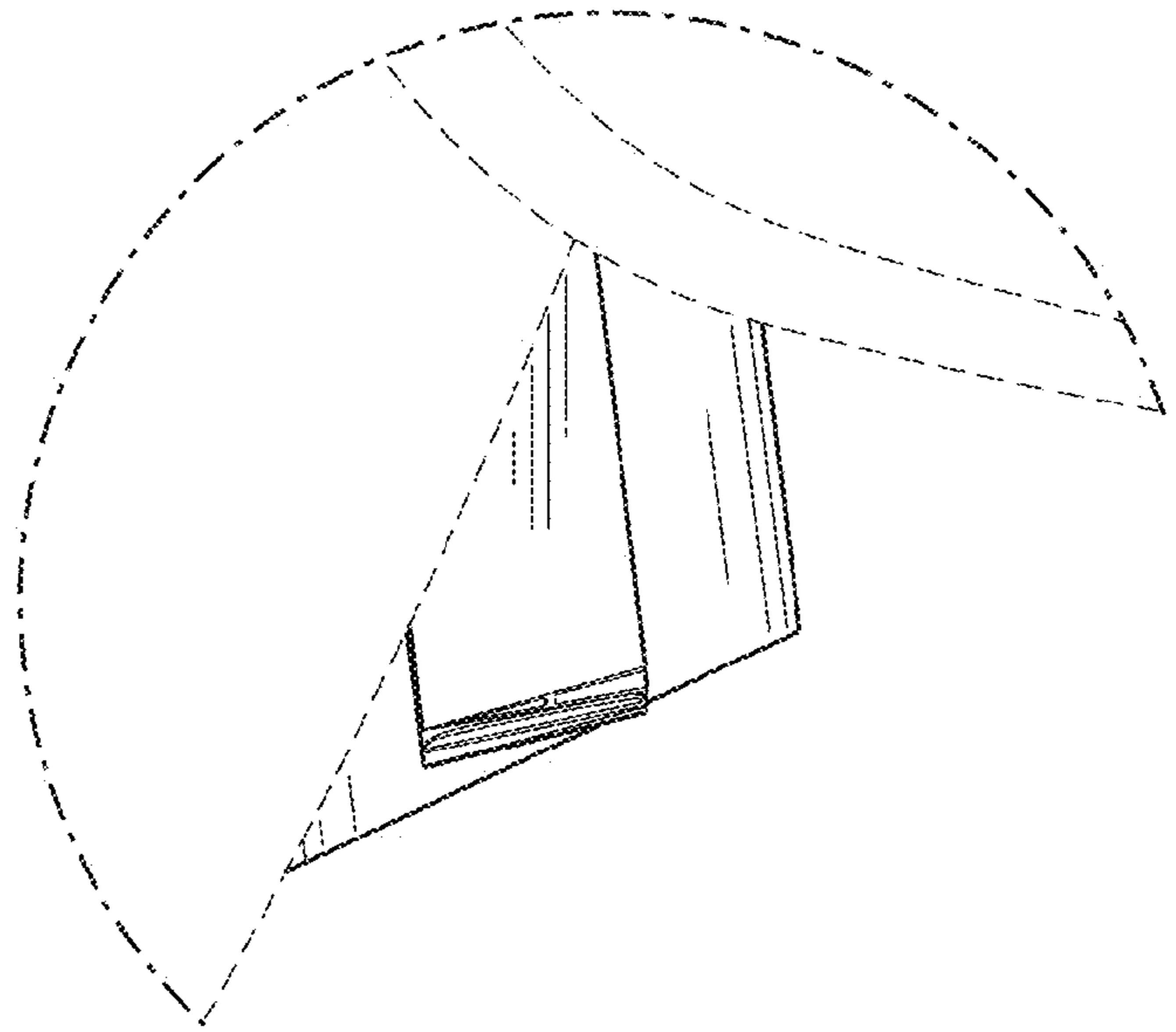


FIG. 6

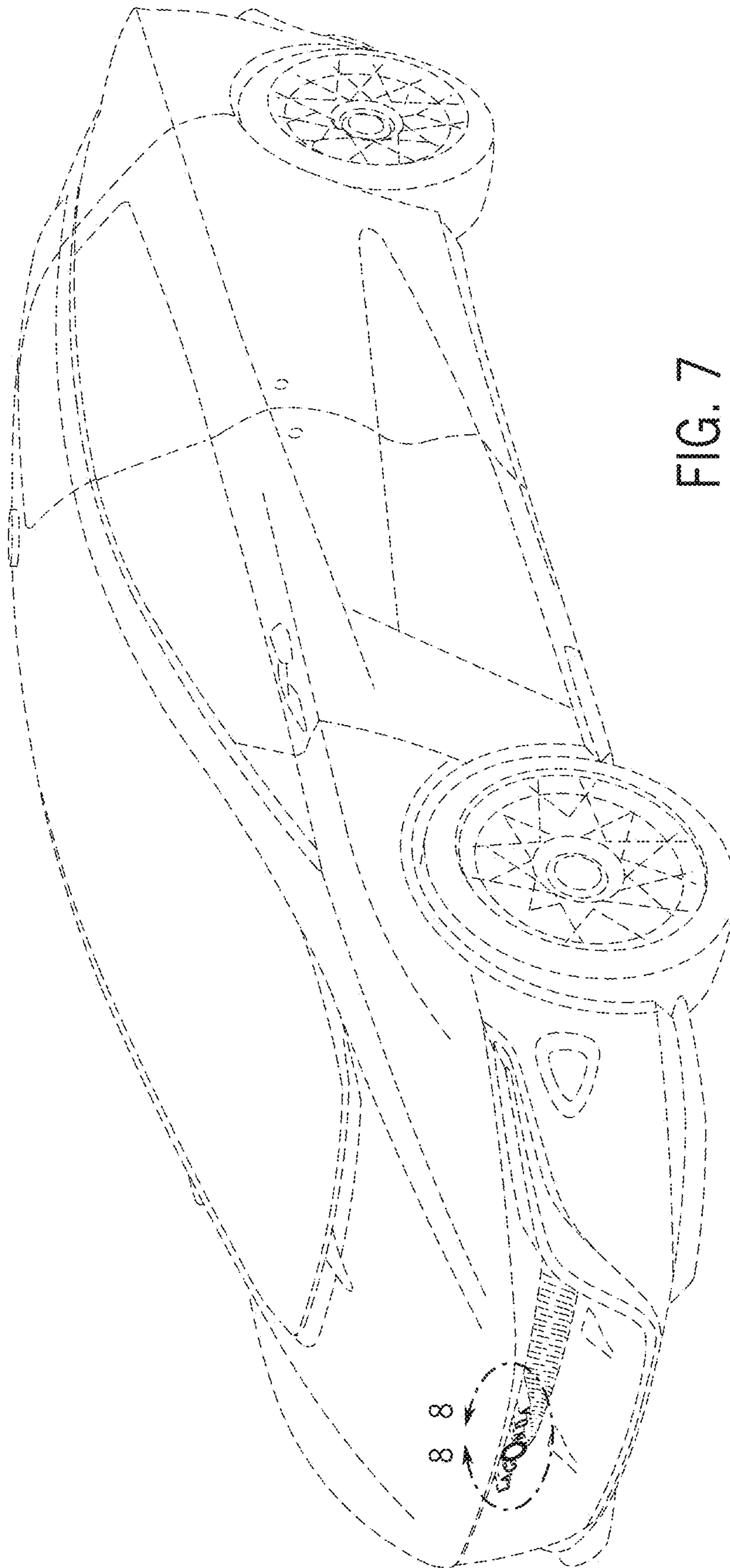


FIG. 7

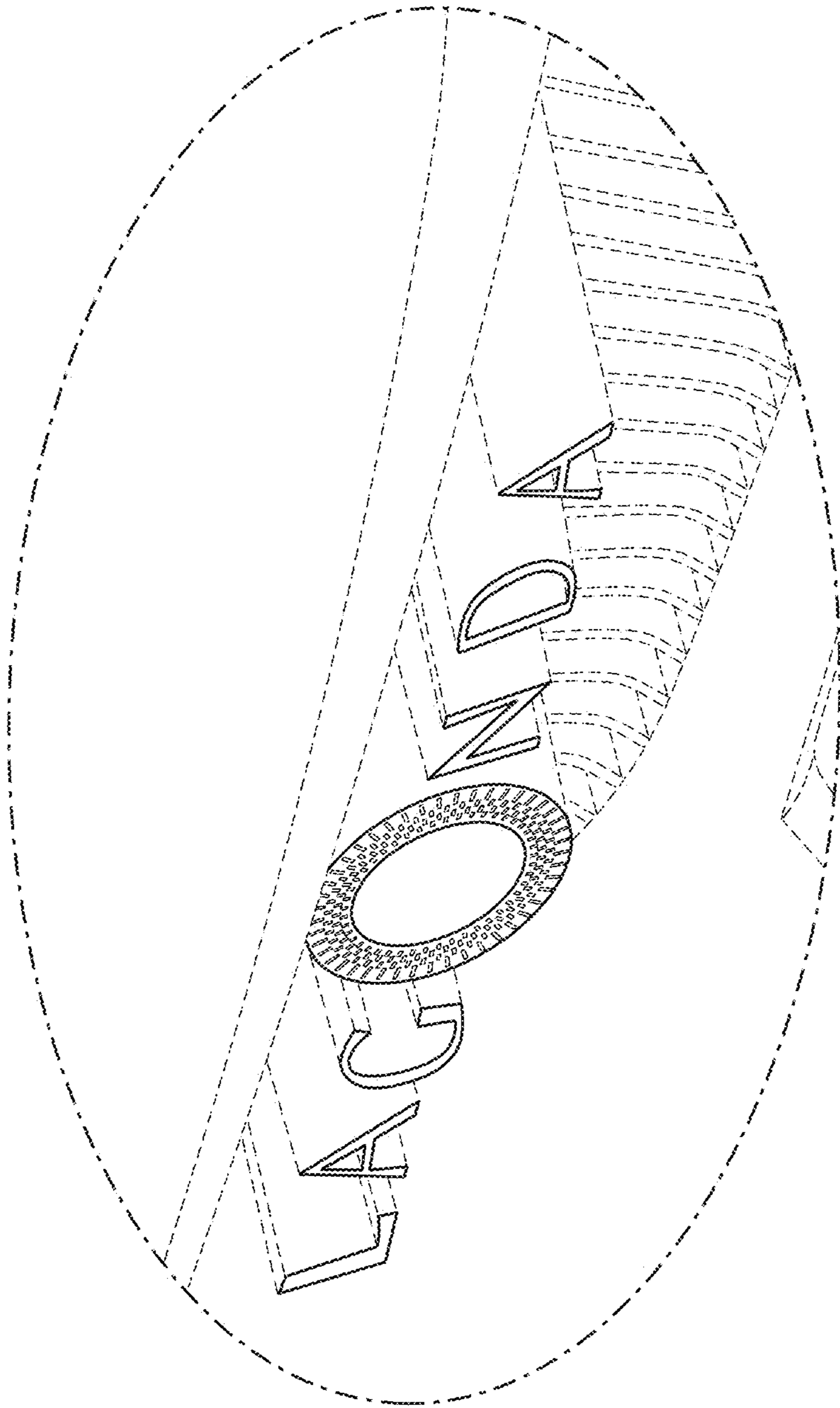


FIG. 8

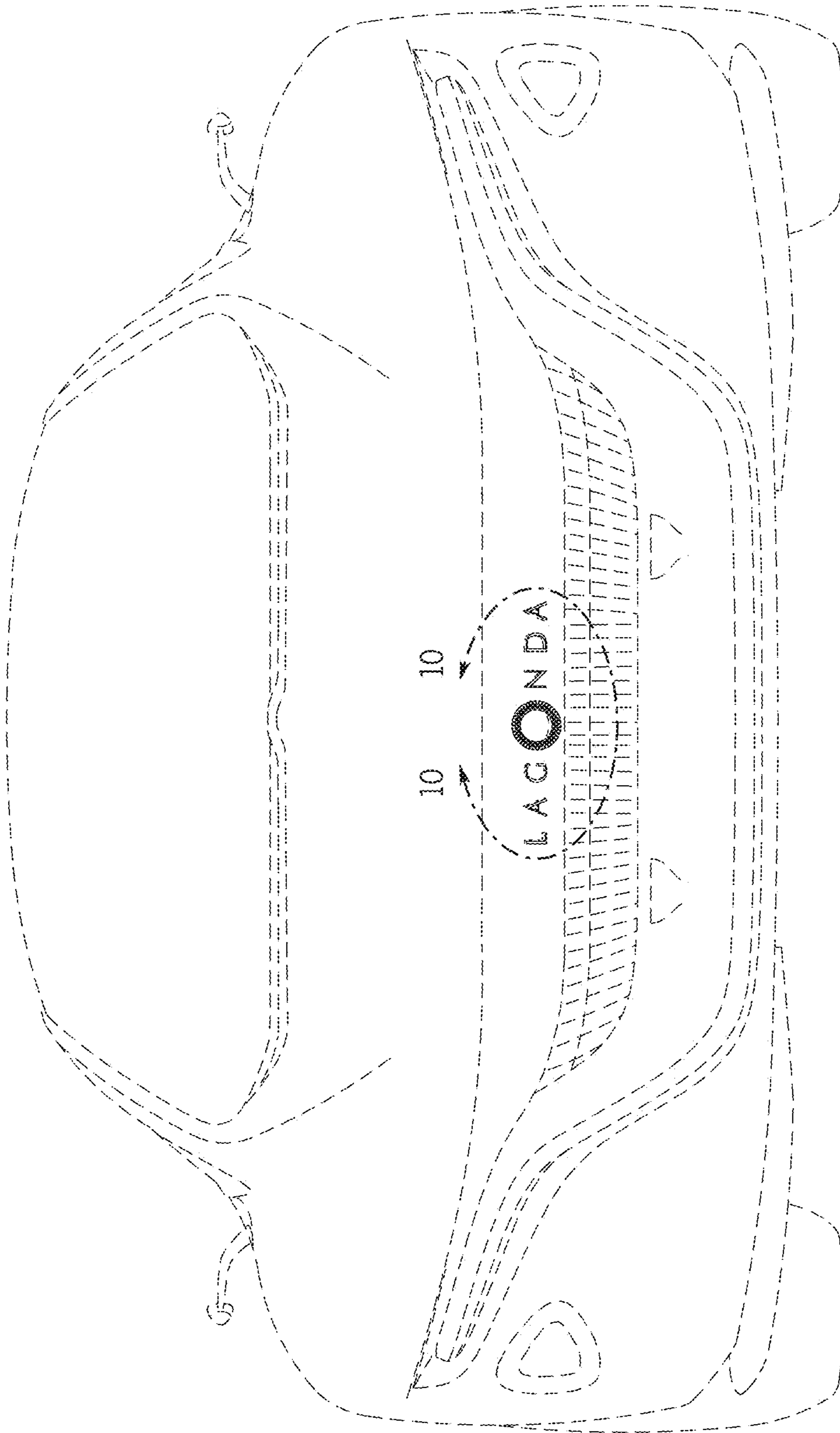


FIG. 9

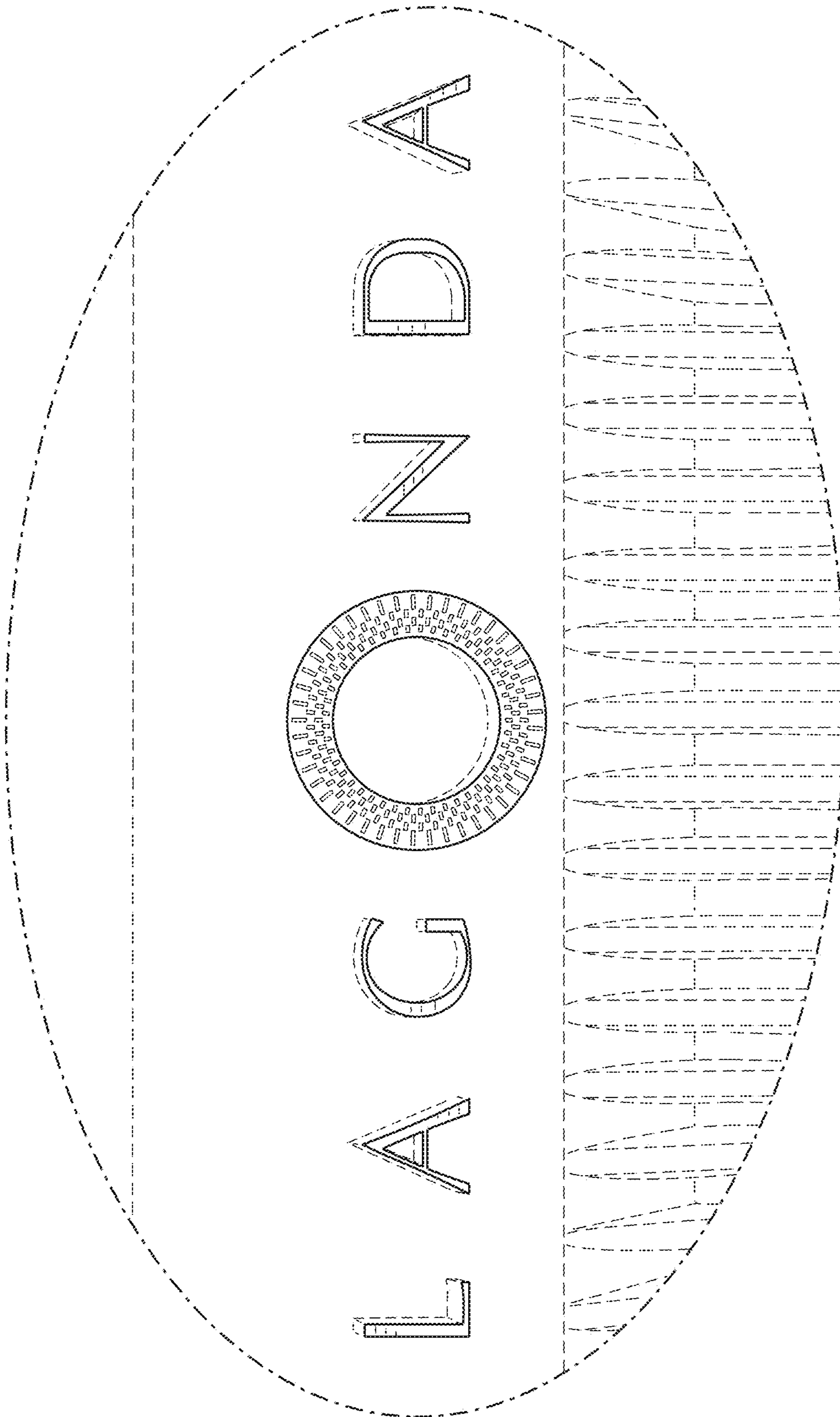


FIG. 10

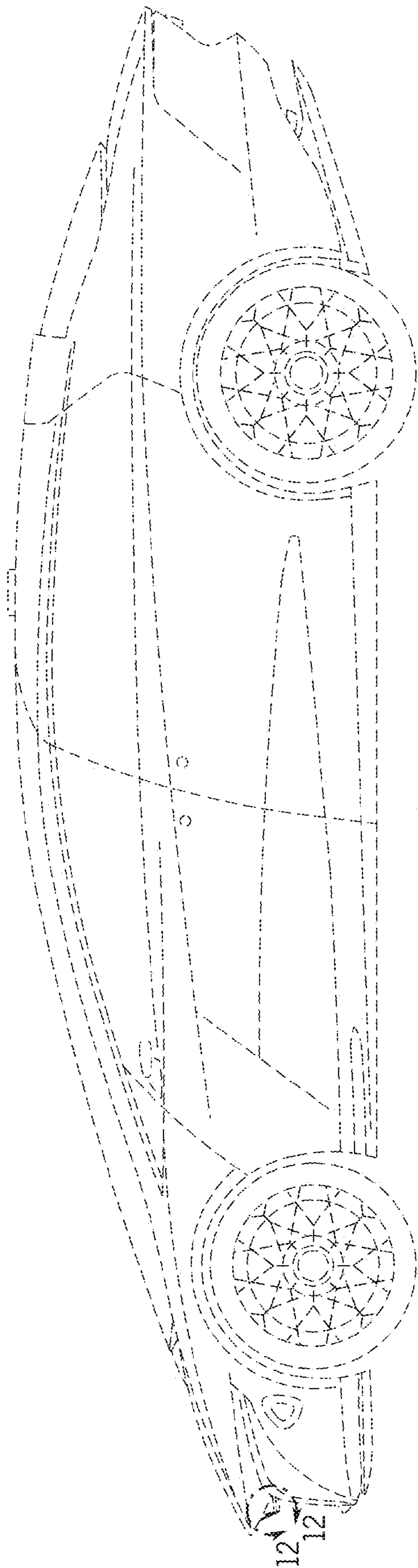


FIG. 11

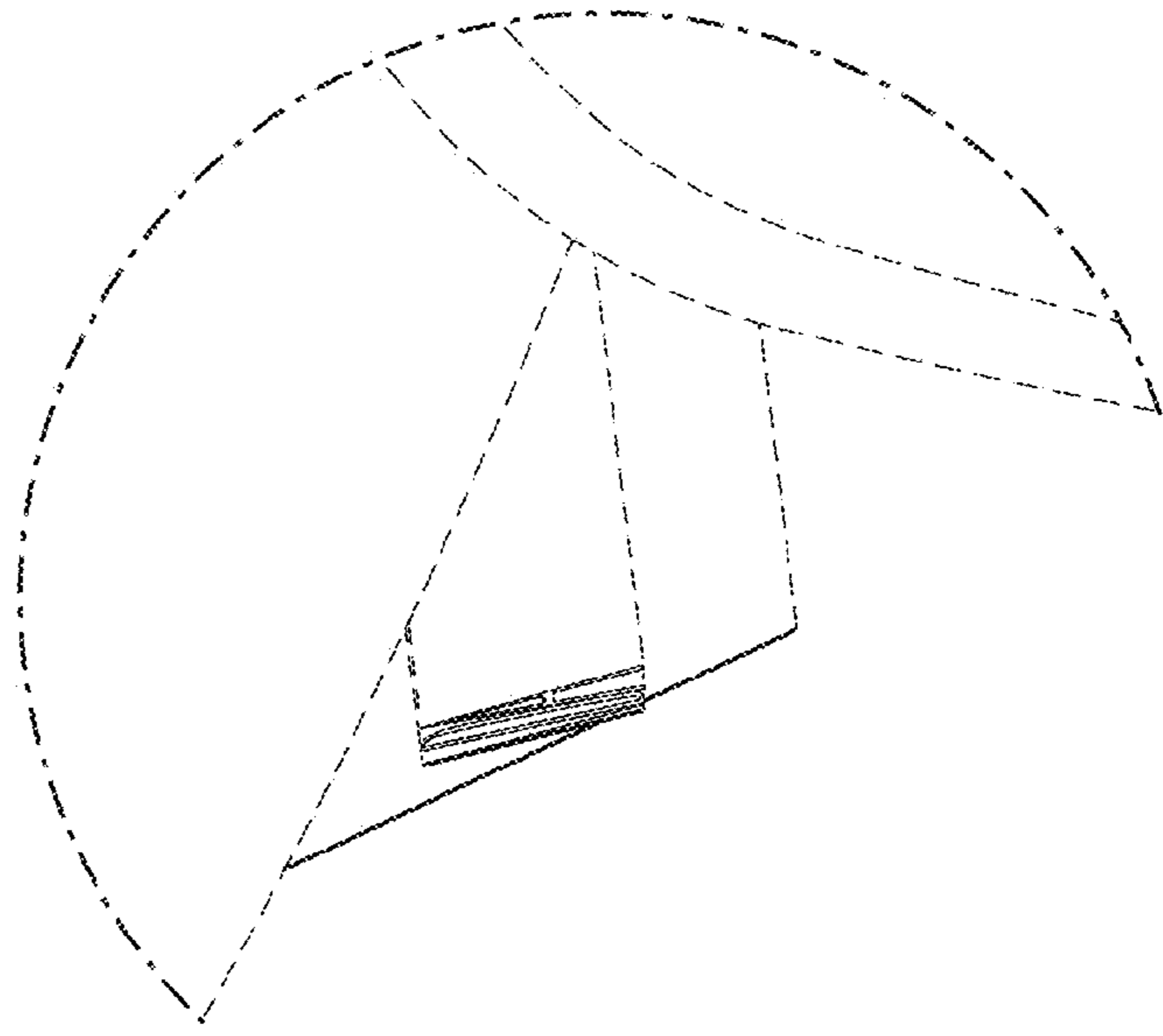


FIG. 12

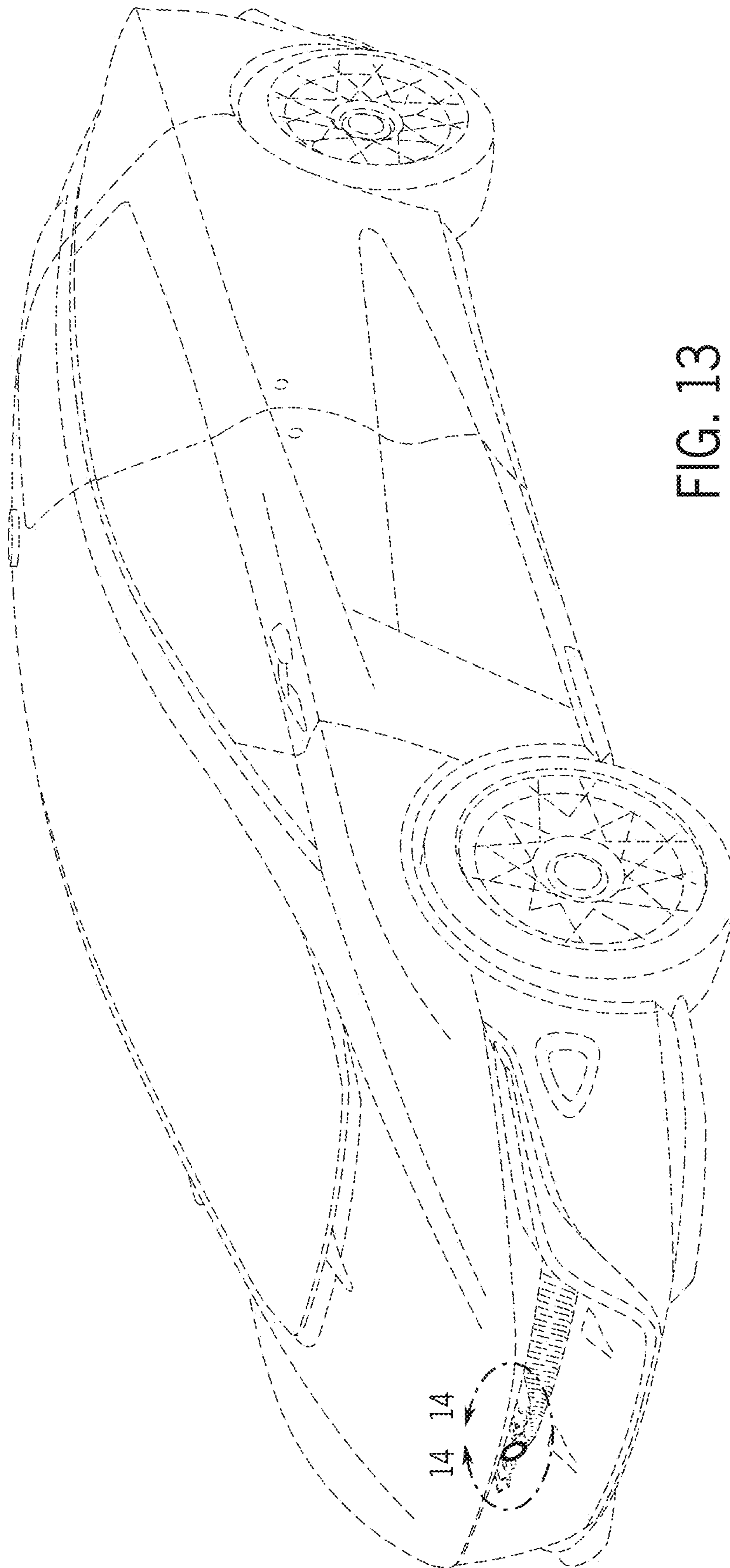


FIG. 13

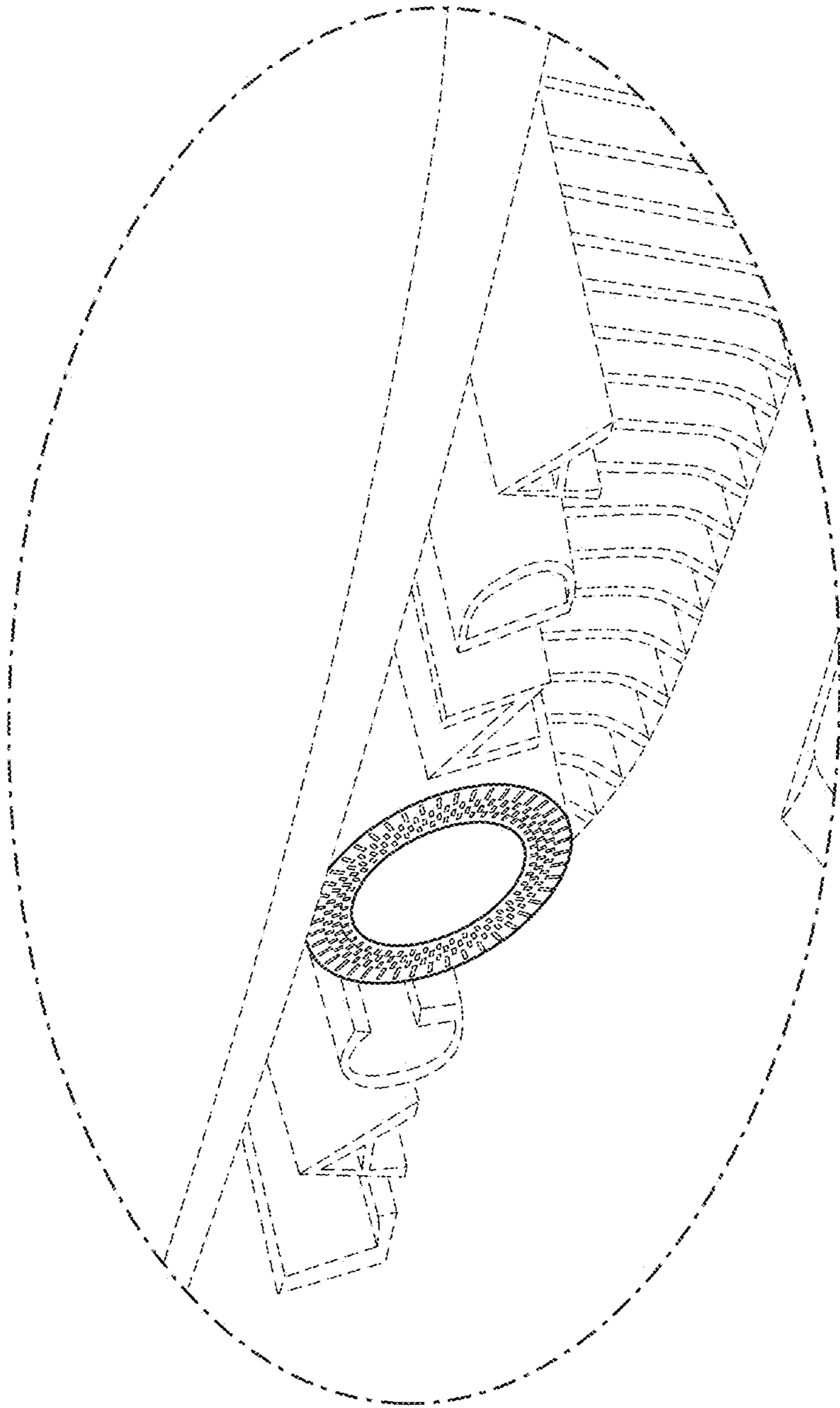


FIG. 14

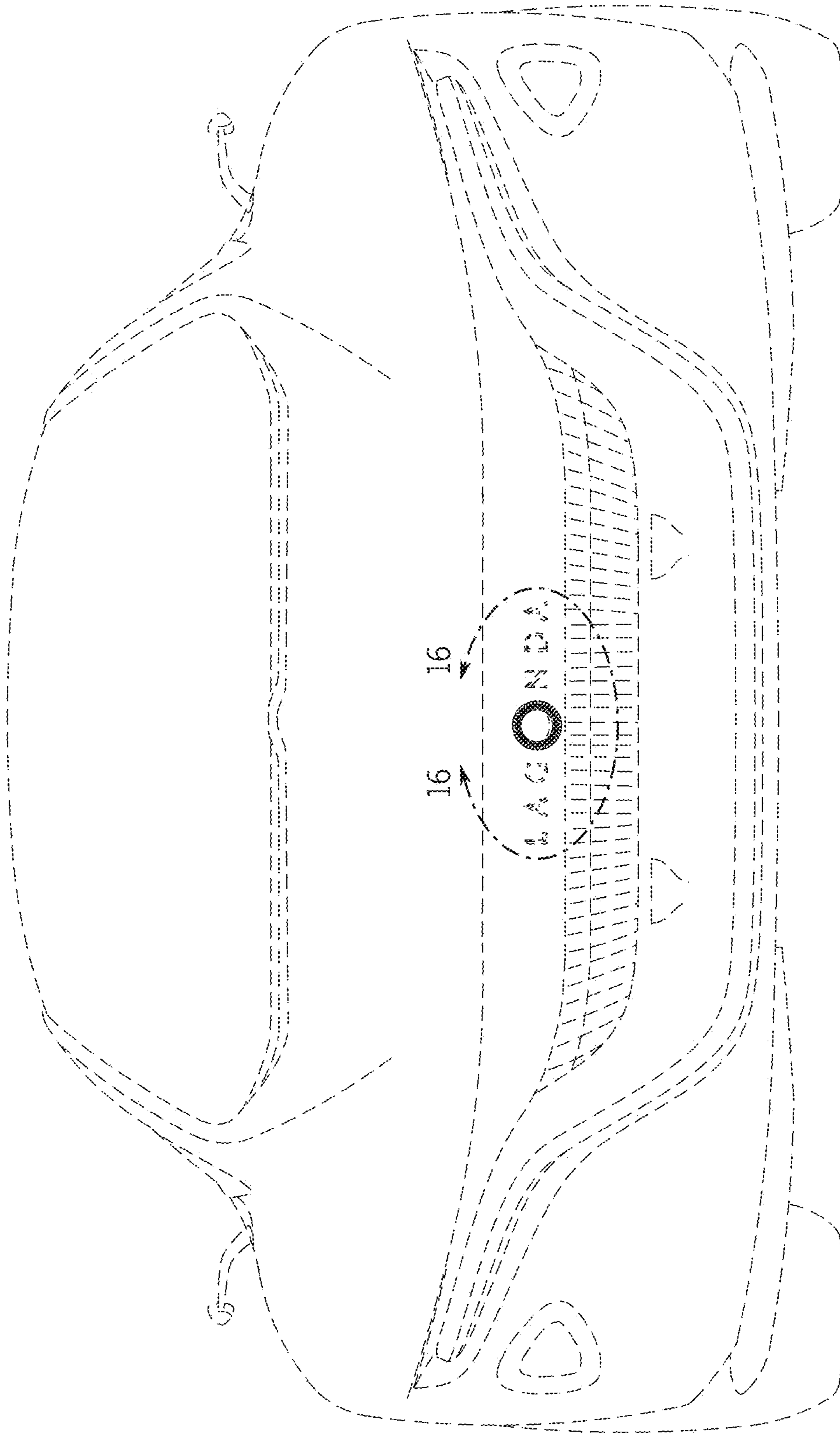


FIG. 15

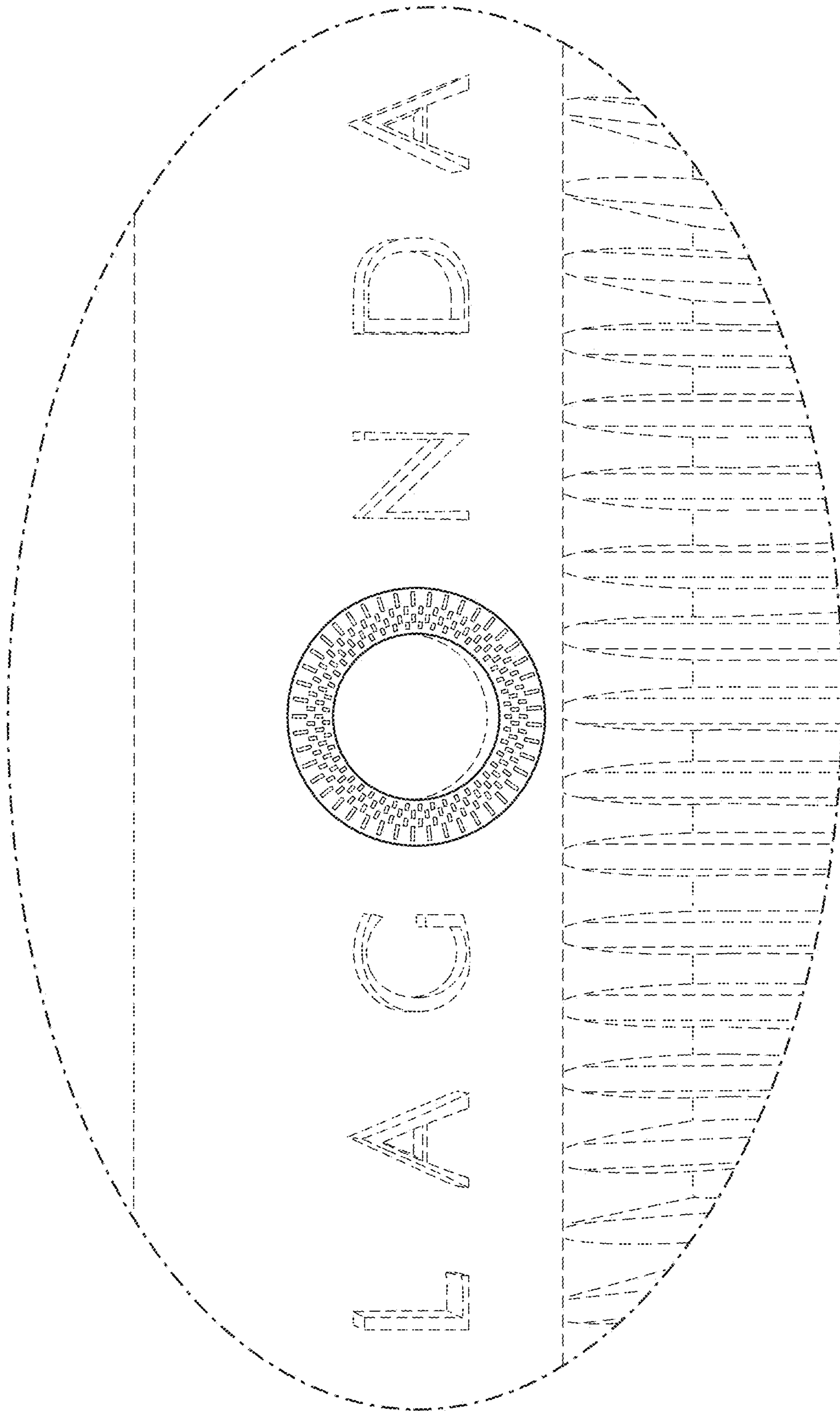


FIG. 16

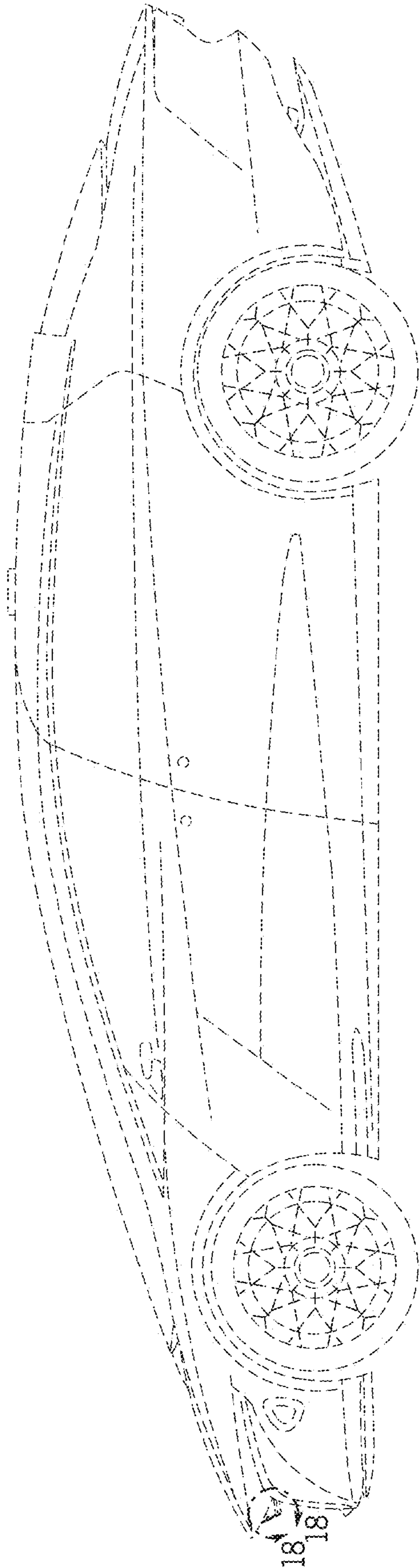


FIG. 17

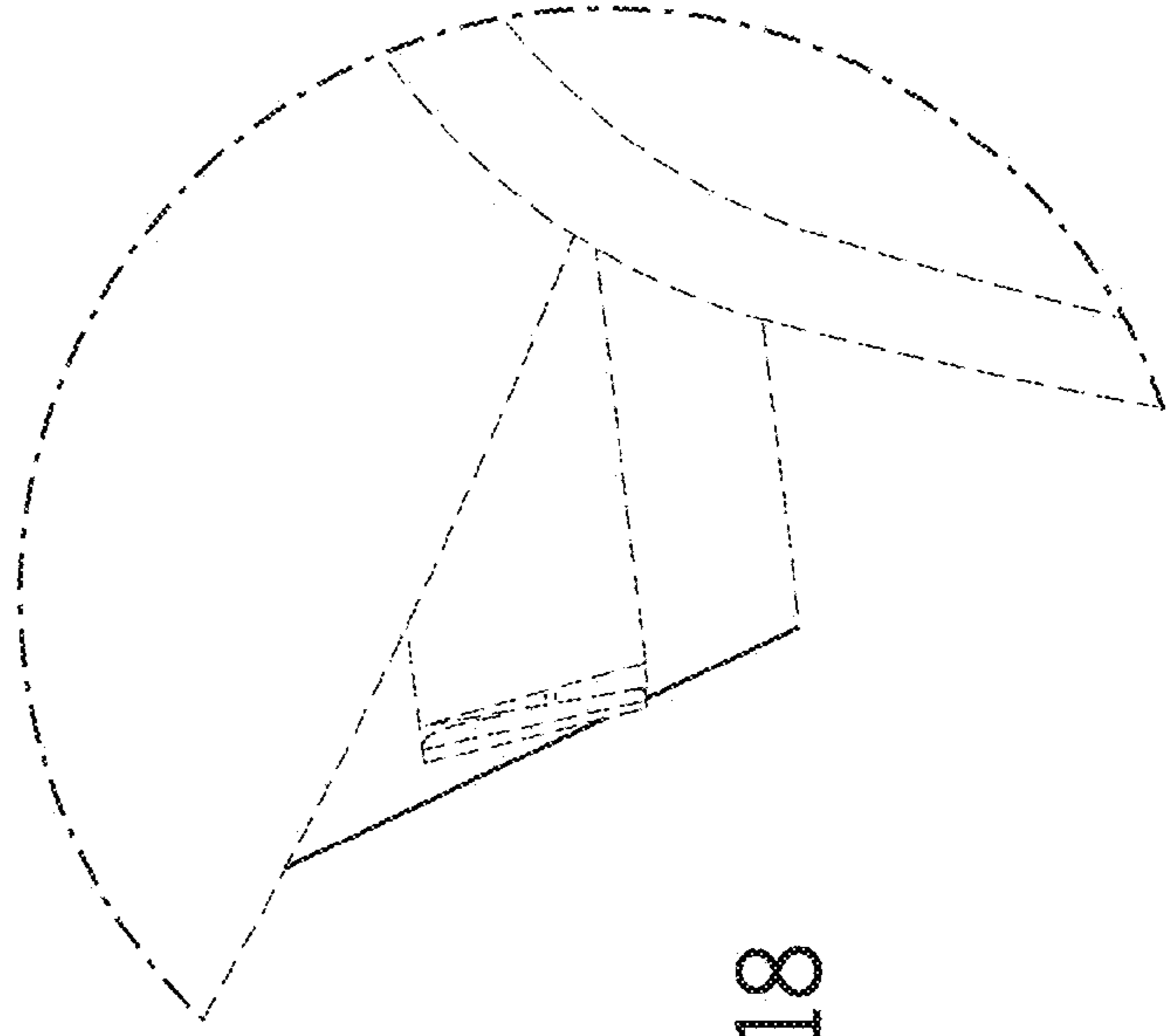


FIG. 18