



US00D871989S

(12) **United States Design Patent** (10) **Patent No.:** **US D871,989 S**
Spencer et al. (45) **Date of Patent:** **** Jan. 7, 2020**

(54) **LICENSE PLATE FRAME**
(71) Applicant: **Cruiser Accessories, LLC**, Monument, CO (US)
(72) Inventors: **Todd R. Spencer**, Monument, CO (US); **Jared W. Thorn**, Chandler, AZ (US); **Mariel Z. Pina**, Chandler, AZ (US)
(73) Assignee: **Cruiser Accessories, LLC**, Monument, CO (US)
(**) Term: **15 Years**
(21) Appl. No.: **29/669,803**
(22) Filed: **Nov. 12, 2018**
(51) **LOC (12) Cl.** **12-16**
(52) **U.S. Cl.**
USPC **D12/193**
(58) **Field of Classification Search**
USPC D12/193; D6/300, 301, 302, 310, 311, D6/312, 313, 314; D20/13
CPC B60R 13/10; B60R 13/105; B60R 19/24; B60R 19/52
See application file for complete search history.

(56) **References Cited**
U.S. PATENT DOCUMENTS
D377,777 S * 2/1997 Kheyfets D12/193
D411,500 S * 6/1999 Steinhagen D12/193
D412,147 S * 7/1999 Steinhagen D12/193
D440,928 S * 4/2001 Hussaini D12/193

D469,043 S * 1/2003 Ohm D12/193
D566,026 S * 4/2008 Hu D12/193
D616,347 S * 5/2010 Arenz D12/193
D648,663 S * 11/2011 Lee D12/193
D684,513 S * 6/2013 Spencer D12/193
D712,326 S * 9/2014 Spencer D12/193
D734,228 S * 7/2015 Masanek, Jr. D12/193
D775,035 S * 12/2016 Alesi D12/193
D818,919 S * 5/2018 Spencer D12/193
D823,759 S * 7/2018 Spencer D12/193

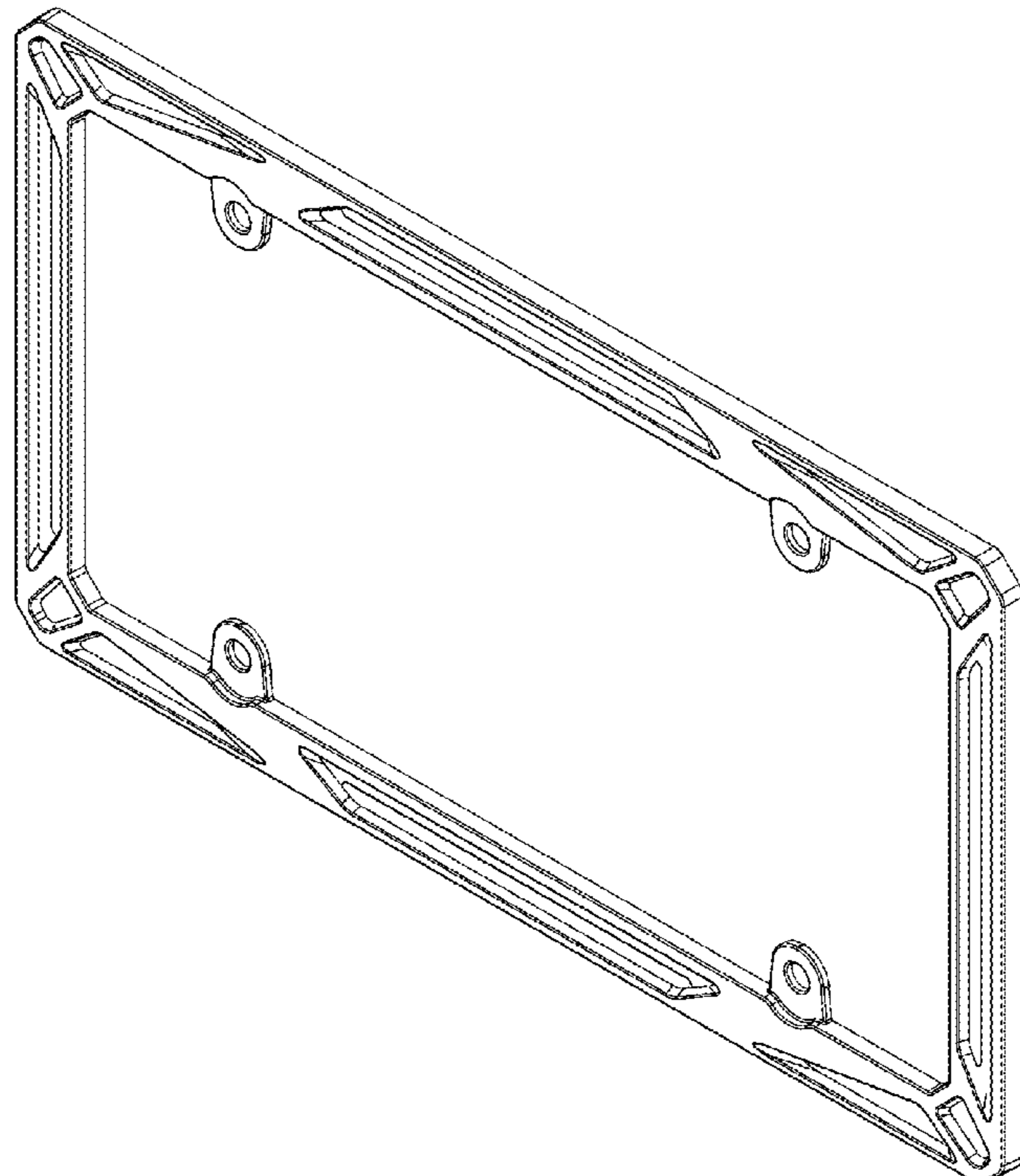
* cited by examiner
Primary Examiner — Natasha Vujcic
(74) *Attorney, Agent, or Firm* — Linda Flewellen Gould

(57) **CLAIM**
The ornamental design for a license plate frame, as shown and described.

DESCRIPTION

FIG. 1 is a perspective front view showing our new design for a license plate frame.
FIG. 2 is a front view of the license plate frame of the present invention.
FIG. 3 is a back view of the license plate frame of the present invention.
FIG. 4 is a top view of the license plate frame of the present invention.
FIG. 5 is a bottom view of the license plate frame of the present invention.
FIG. 6 is a left side view of the license plate frame of the present invention; and,
FIG. 7 is right side view of the license plate frame of the present invention.

1 Claim, 3 Drawing Sheets



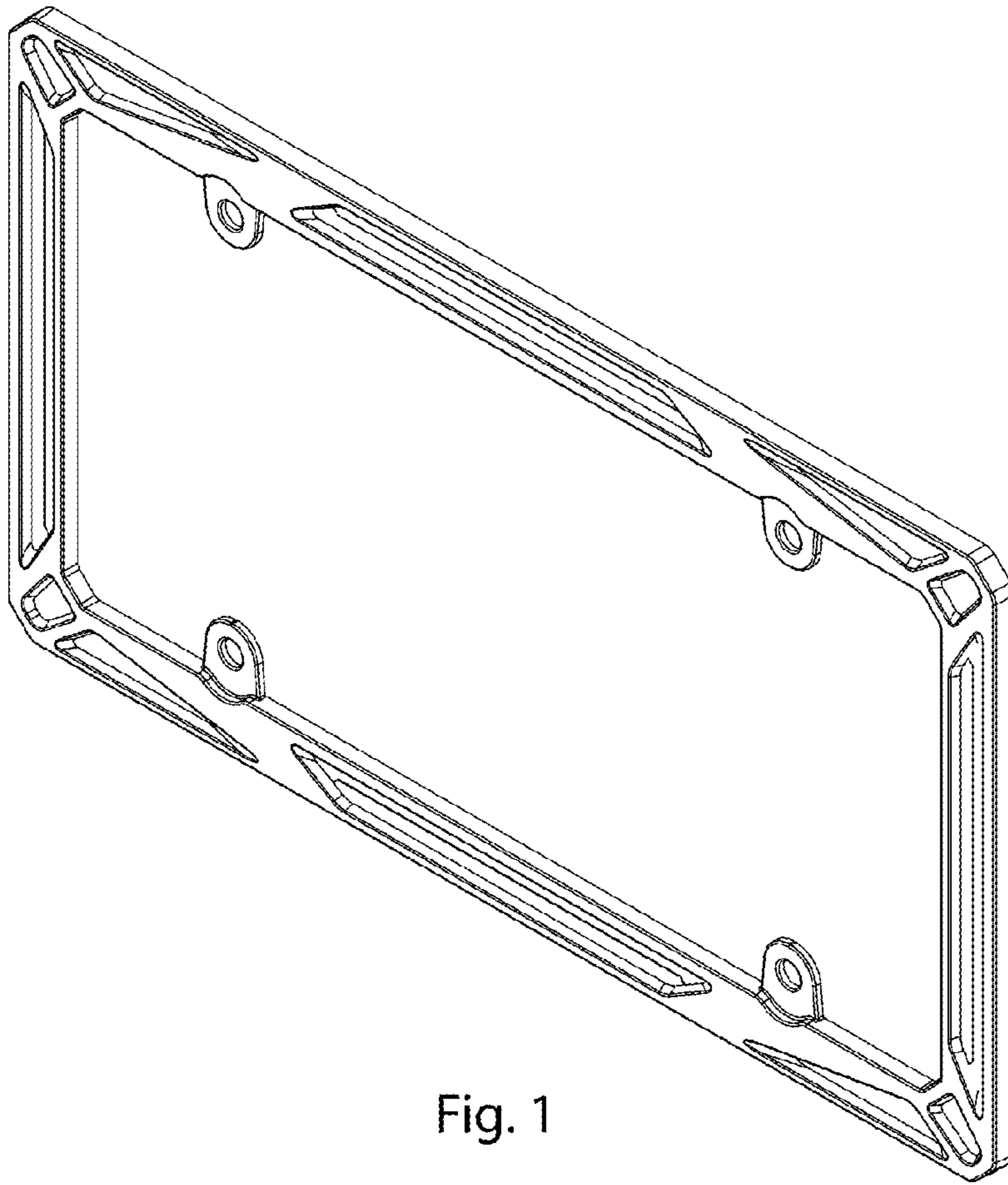


Fig. 1

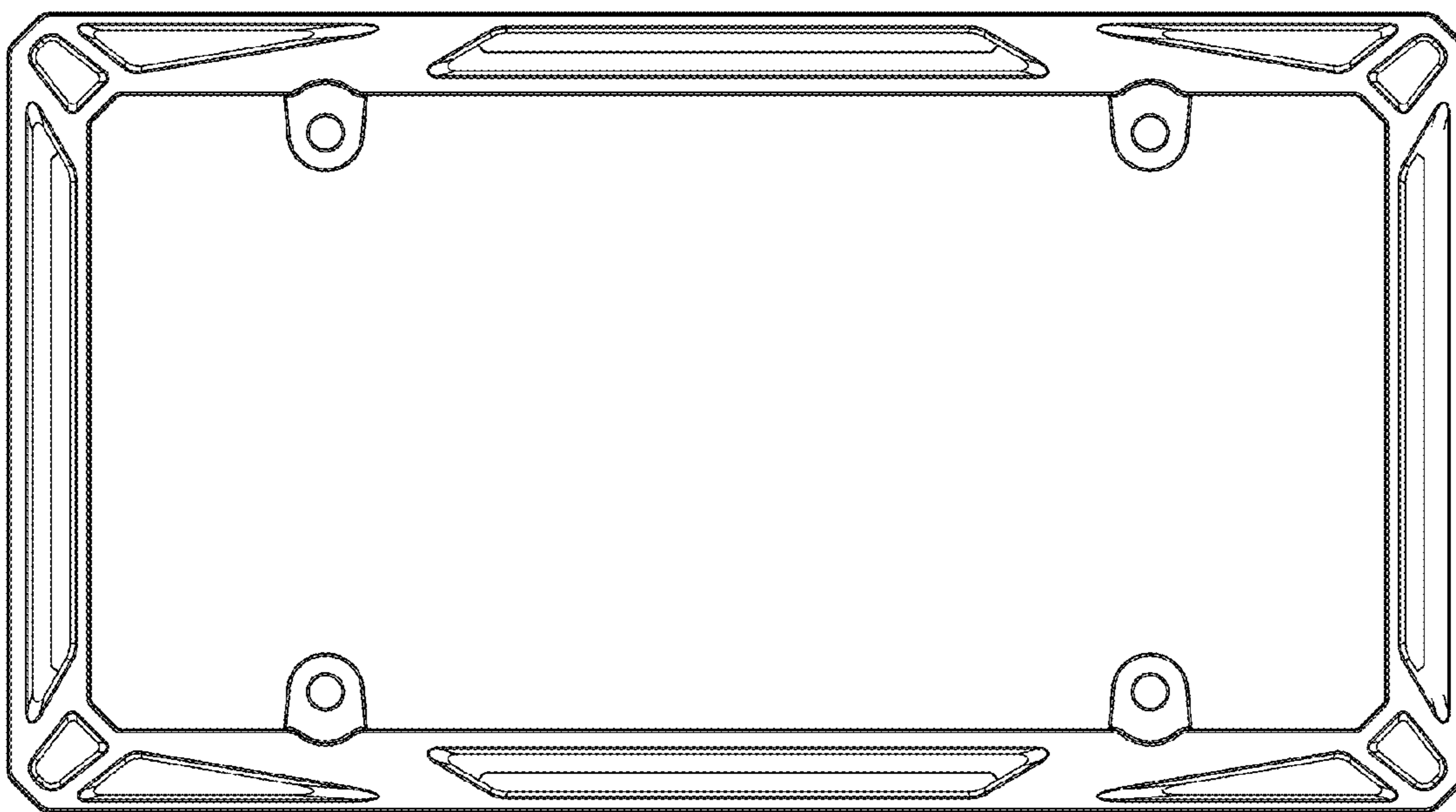


Fig. 2

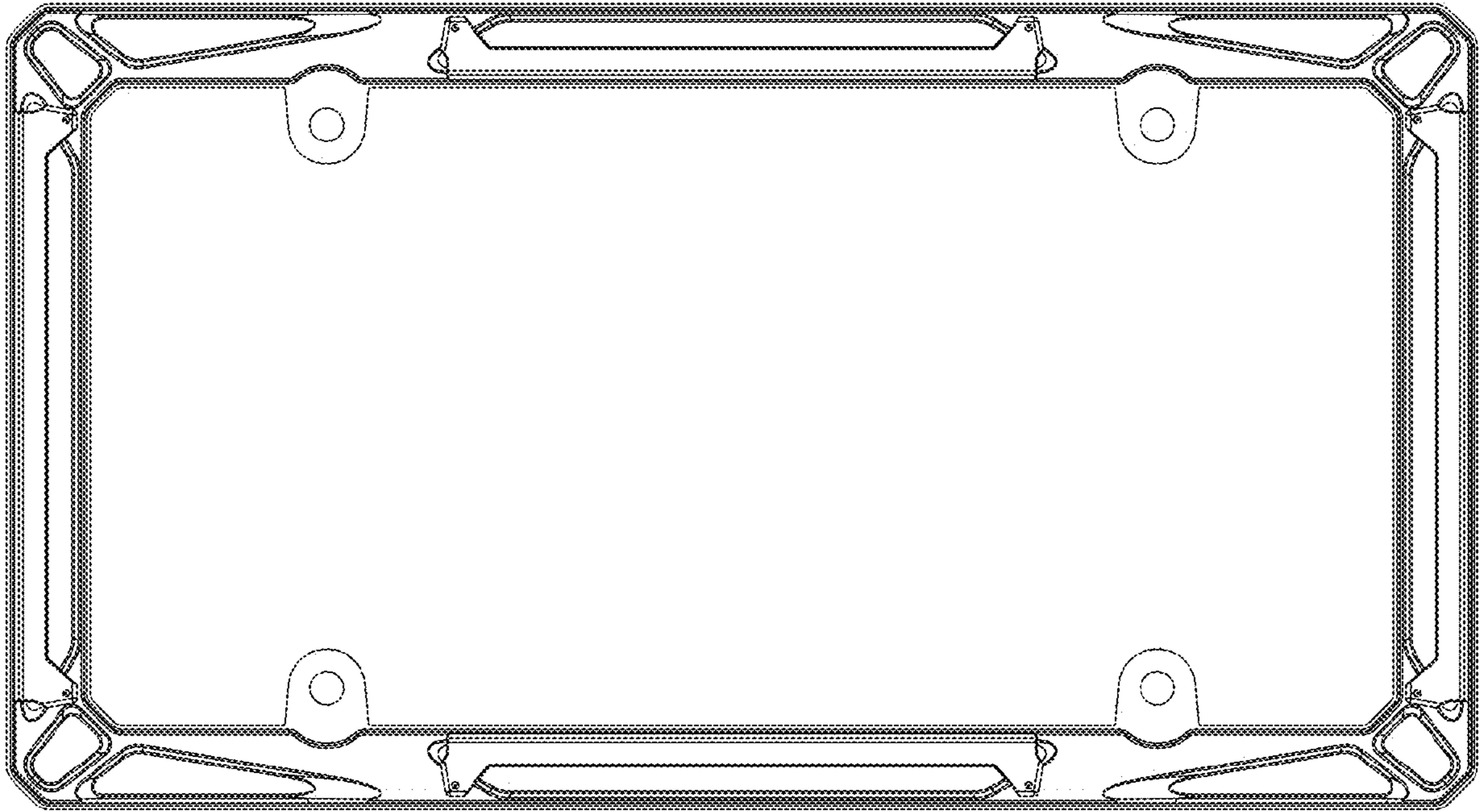


Fig. 3

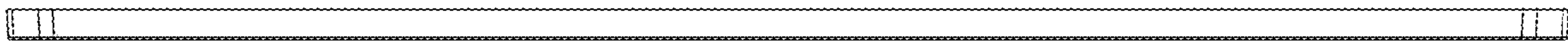


Fig. 4

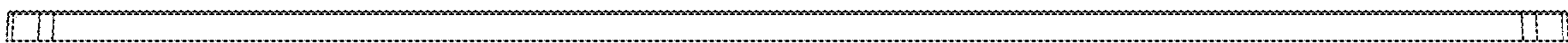


Fig. 5



Fig. 6



Fig. 7