



US00D871988S

(12) **United States Design Patent**
Wang

(10) **Patent No.:** **US D871,988 S**

(45) **Date of Patent:** **** Jan. 7, 2020**

(54) **LICENSE PLATE FRAME HAVING CAMERA**

(71) Applicant: **Yuhua Wang**, Beijing (CN)

(72) Inventor: **Yuhua Wang**, Beijing (CN)

(**) Term: **15 Years**

(21) Appl. No.: **29/662,777**

(22) Filed: **Sep. 7, 2018**

(30) **Foreign Application Priority Data**

Mar. 15, 2018 (CN) 2018 3 0095086

(51) **LOC (12) Cl.** **12-16**

(52) **U.S. Cl.**
USPC **D12/193**

(58) **Field of Classification Search**
USPC D12/193; D6/300, 301, 302, 310, 311,
D6/312, 313, 314; D20/13
CPC B60R 13/10; B60R 13/105; B60R 19/24;
B60R 19/52
See application file for complete search history.

(56) **References Cited**

U.S. PATENT DOCUMENTS

D342,929 S *	1/1994	Spencer	D12/193
D496,312 S *	9/2004	Sybilrud	D12/193
D537,765 S *	3/2007	Porter	D12/193
D578,049 S *	10/2008	Son	D12/193
D596,545 S *	7/2009	Son	D12/193
D644,582 S *	9/2011	Palmer	D12/193

D644,973 S *	9/2011	Miyawaki	D12/193
D672,297 S *	12/2012	Dong	D12/193
D685,307 S *	7/2013	Chung	D12/193
D692,815 S *	11/2013	Chung	D12/193
D705,845 S *	5/2014	Chung	D12/193
D726,613 S *	4/2015	Spencer	D12/193
D780,651 S *	3/2017	Spencer	D12/193
D818,919 S *	5/2018	Spencer	D12/193
D823,759 S *	7/2018	Spencer	D12/193
D853,463 S *	7/2019	Batten	D16/208

* cited by examiner

Primary Examiner — Natasha Vujcic

(74) *Attorney, Agent, or Firm* — Enshan Hong; VLP Law Group LLP

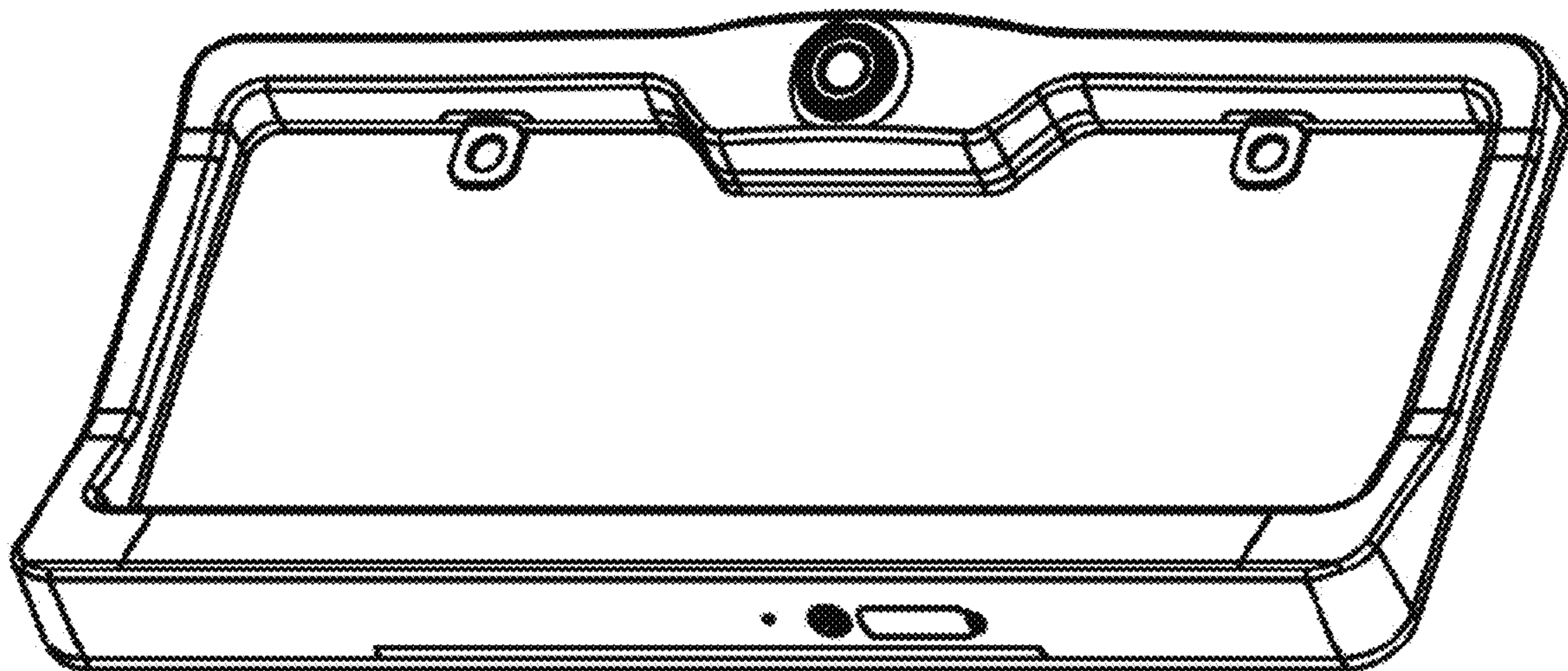
(57) **CLAIM**

I claim, the ornamental design for a license plate frame having camera, as shown and described.

DESCRIPTION

FIG. 1 is a perspective view illustrating a new design for a license plate frame having a camera;
FIG. 2 is a right side view illustrating the license plate frame having the camera;
FIG. 3 is a left side view illustrating the license plate frame having the camera;
FIG. 4 is a front view illustrating the license plate frame having the camera;
FIG. 5 is a top plan view illustrating the combined apparatus of the license plate frame having the camera; and,
FIG. 6 is a bottom view illustrating the license plate frame having the camera.

1 Claim, 6 Drawing Sheets



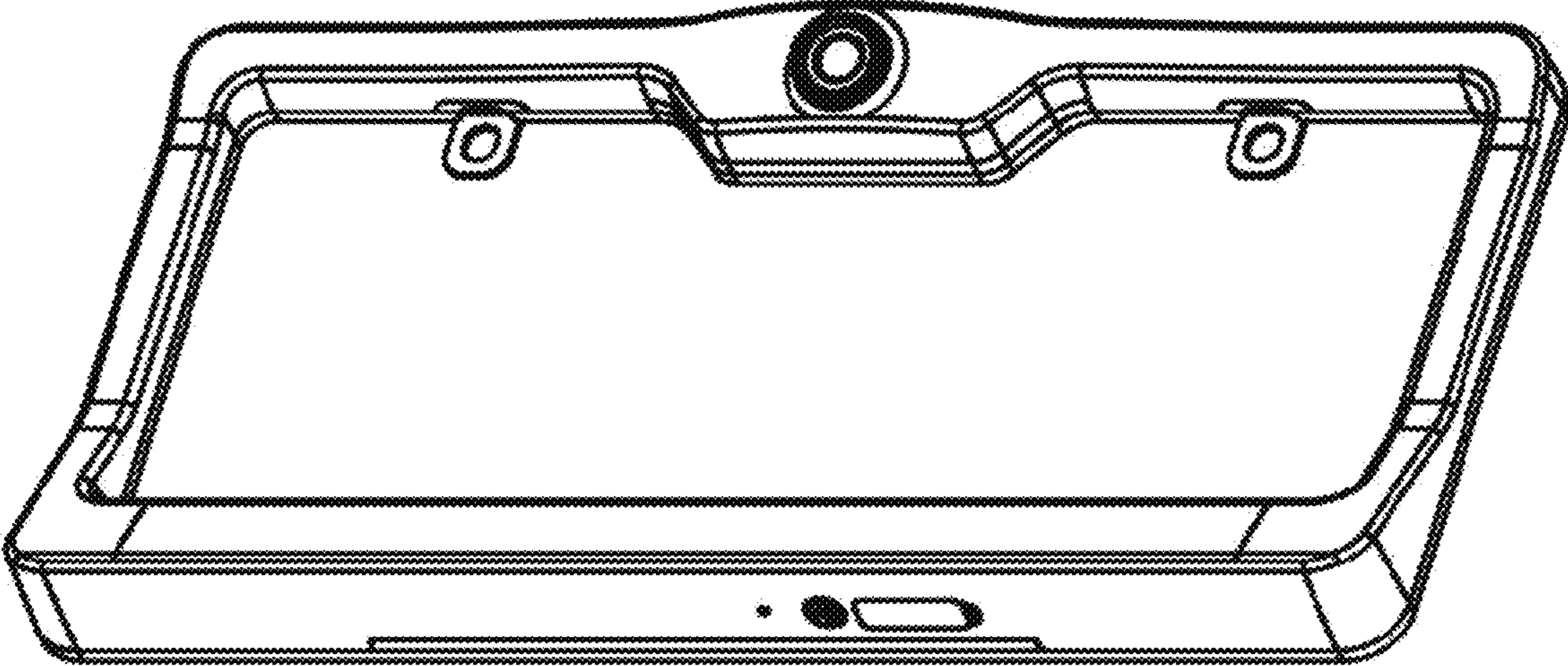


Figure 1

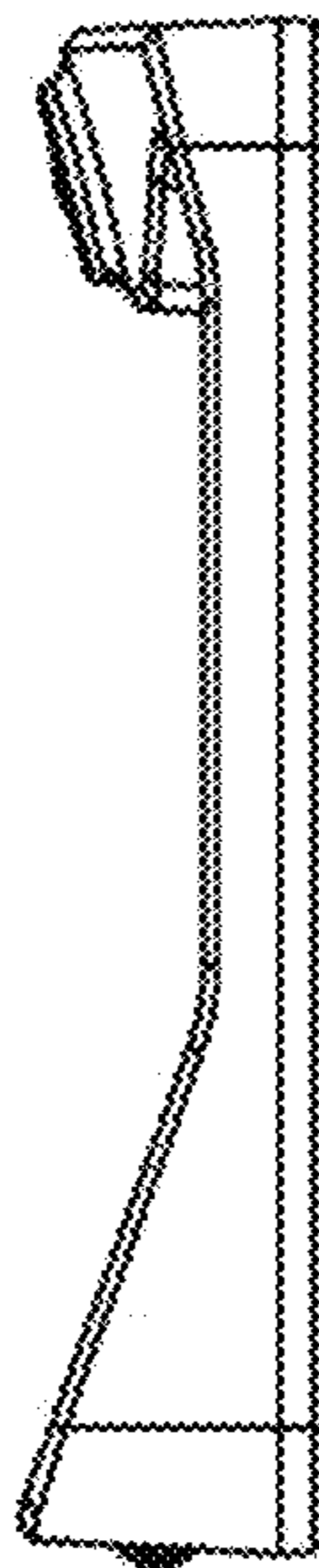


Figure 2

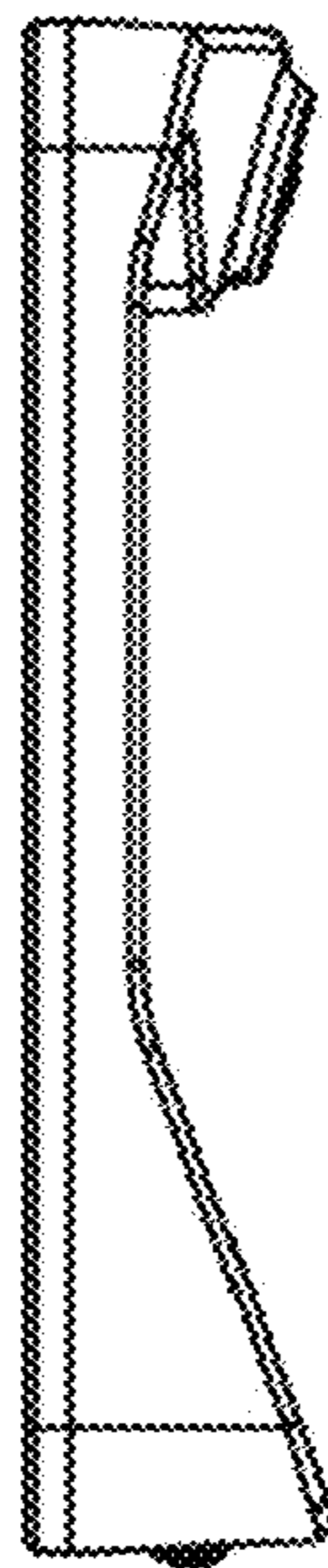


Figure 3

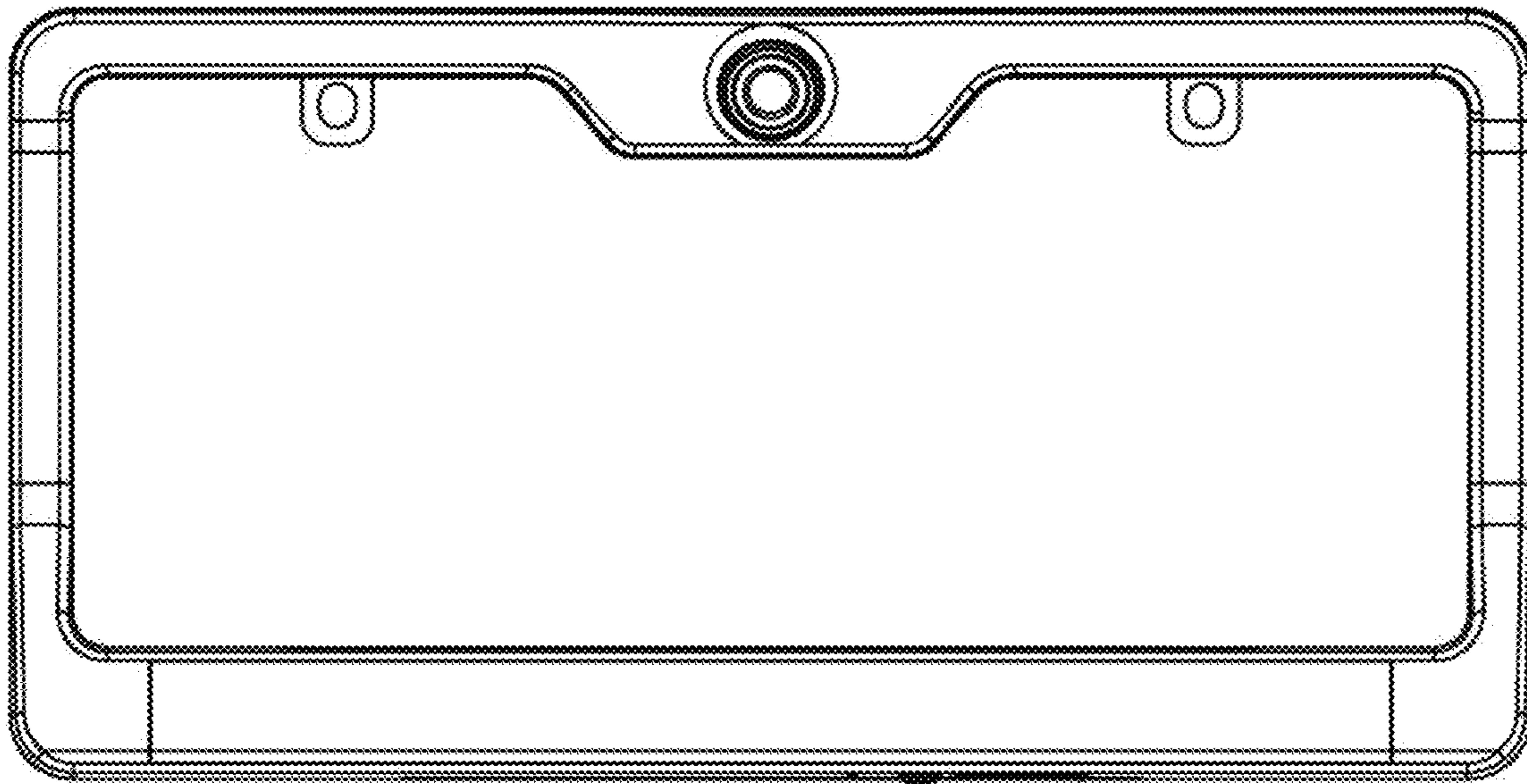


Figure 4



Figure 5

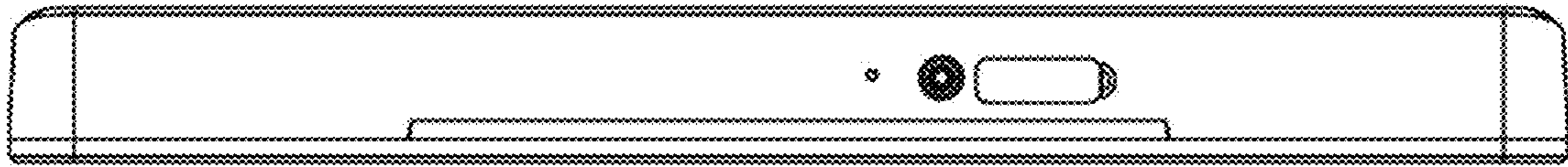


Figure 6