



US00D871987S

(12) **United States Design Patent**
Ness et al.

(10) **Patent No.:** **US D871,987 S**
(45) **Date of Patent:** **** Jan. 7, 2020**

(54) **MOTORCYCLE REAR-VIEW MIRROR**

(71) Applicant: **Arlen Ness Enterprises, Inc.**, Dublin, CA (US)

(72) Inventors: **Cory Allen Ness**, Alamo, CA (US);
Phillip Bates Mitchell, Jr., Loomis, CA (US)

(73) Assignee: **Arlen Ness Enterprises, Inc.**, Dublin, CA (US)

(**) Term: **15 Years**

(21) Appl. No.: **29/639,957**

(22) Filed: **Mar. 9, 2018**

(51) **LOC (12) Cl.** **12-16**

(52) **U.S. Cl.**
USPC **D12/187**

(58) **Field of Classification Search**
USPC D12/174, 179, 181, 184, 186, 187, 196
CPC B60R 1/06; B60R 1/082; B62J 29/00
See application file for complete search history.

(56) **References Cited**

U.S. PATENT DOCUMENTS

| | | | | | |
|-----------|------|---------|-----------|-------|------------|
| 2,903,297 | A * | 9/1959 | Zbikowski | | B62J 29/00 |
| | | | | | 248/479 |
| 4,252,290 | A * | 2/1981 | Willey | | B62J 29/00 |
| | | | | | 248/549 |
| D344,258 | S * | 2/1994 | Magid | | D12/187 |
| D346,783 | S * | 5/1994 | Brainard | | D12/187 |
| D391,213 | S * | 2/1998 | Huang | | D12/187 |
| D402,949 | S * | 12/1998 | Marguerie | | D12/187 |
| D406,088 | S * | 2/1999 | Hanlon | | D12/187 |
| D465,443 | S * | 11/2002 | Gilbert | | D12/187 |
| 6,485,151 | B2 * | 11/2002 | Coleburn | | B60R 1/082 |
| | | | | | 248/480 |
| D472,504 | S * | 4/2003 | Leveille | | D12/187 |
| D501,165 | S * | 1/2005 | Grove | | D12/188 |
| D513,724 | S * | 1/2006 | Stenzel | | D12/187 |

| | | | | | |
|----------|-----|---------|---------|-------|---------|
| D522,942 | S * | 6/2006 | Ness | | D12/187 |
| D524,205 | S * | 7/2006 | Ness | | D12/187 |
| D552,020 | S * | 10/2007 | Hofle | | D12/187 |
| D570,755 | S * | 6/2008 | Ness | | D12/187 |
| D575,706 | S * | 8/2008 | Snegg | | D12/187 |
| D585,800 | S * | 2/2009 | Cheng | | D12/187 |
| D626,047 | S * | 10/2010 | Owyang | | D12/187 |
| D690,244 | S * | 9/2013 | Suesse | | D12/187 |
| D716,208 | S * | 10/2014 | Rigolio | | D12/187 |
| D716,209 | S * | 10/2014 | Rigolio | | D12/187 |
| D763,756 | S * | 8/2016 | Enz | | D12/187 |

(Continued)

OTHER PUBLICATIONS

Arlenness.com. "Deep Cut Caged Series Forged Billet Mirror"
Retrieved Dec. 4, 2018. <http://www.arlenness.com/prodcat/mirror52.asp>.*

Primary Examiner — Susan E Krakower

Assistant Examiner — Jerry Shiuan-Hua Hsu

(74) *Attorney, Agent, or Firm* — Steven R. Vosen

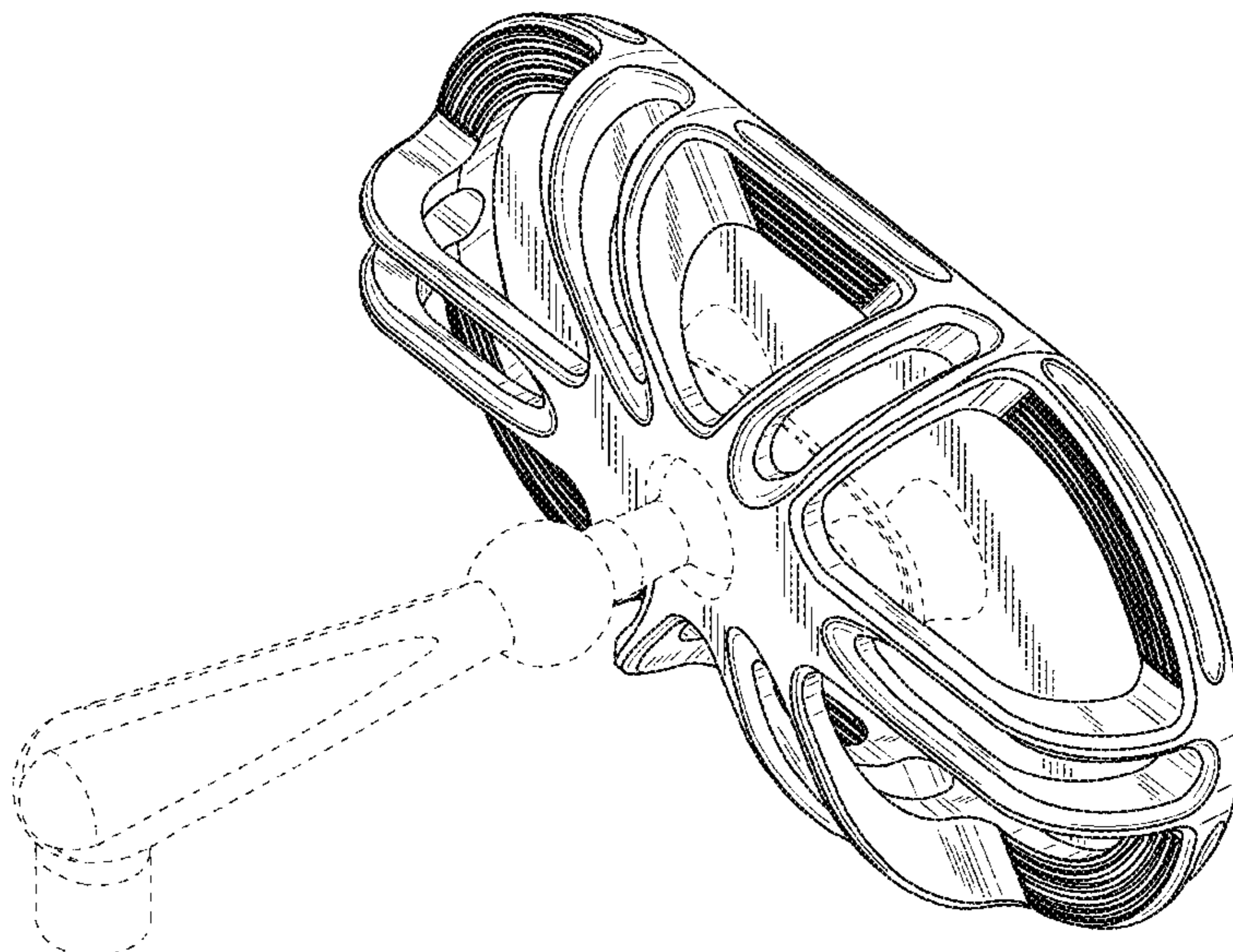
(57) **CLAIM**

We claim the ornamental design for the motorcycle rear-view mirror, as shown and described.

DESCRIPTION

FIG. 1 is a top, left, rear perspective view of a motorcycle rear-view mirror, showing our new design;
FIG. 2 is a top, left, rear perspective view thereof;
FIG. 3 is a top, right, front perspective view thereof;
FIG. 4 is a front elevational view thereof;
FIG. 5 is a right side elevational view thereof, the left side being a mirror image of FIG. 5;
FIG. 6 is a rear elevational view thereof; and,
FIG. 7 is a top plan view thereof, the bottom plan view being a mirror image of FIG. 7.
The broken lines illustrate portions of the motorcycle rear-view mirror that form no part of the claimed design.

1 Claim, 7 Drawing Sheets



(56)

References Cited

U.S. PATENT DOCUMENTS

2005/0237643 A1* 10/2005 Wu B60R 1/06
359/871
2011/0140471 A1* 6/2011 Suesse B60R 1/06
296/1.11

* cited by examiner

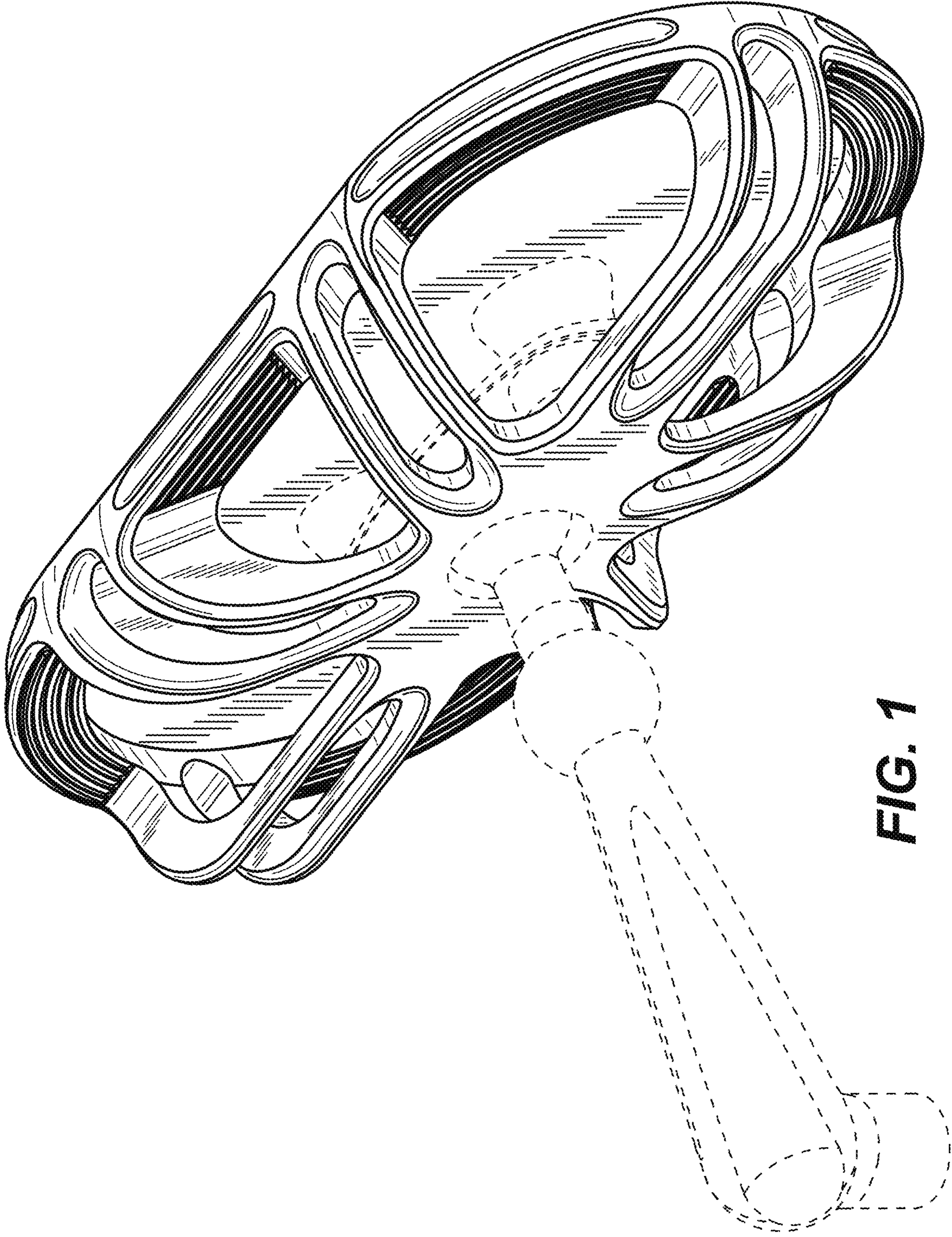


FIG. 1

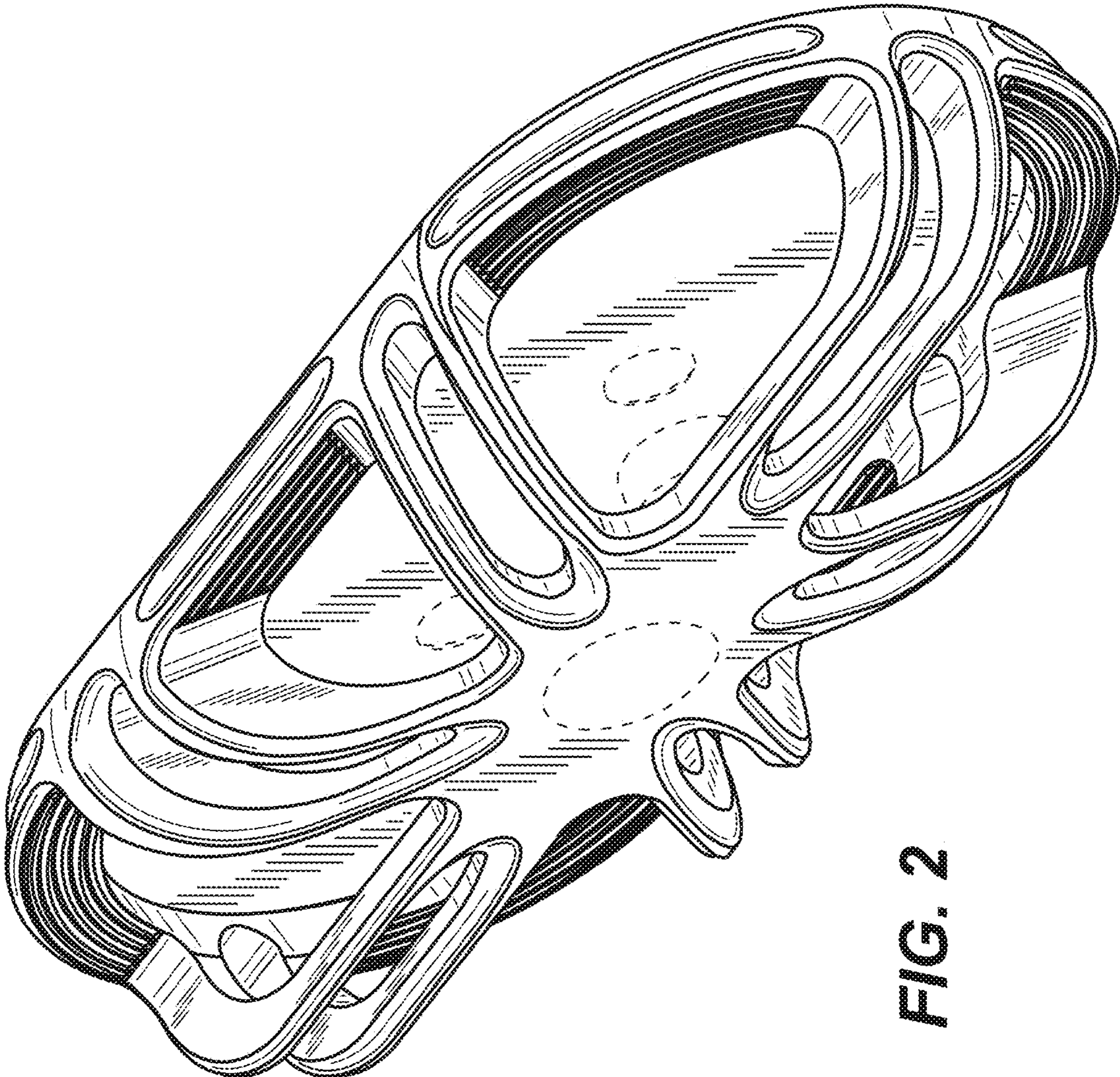


FIG. 2

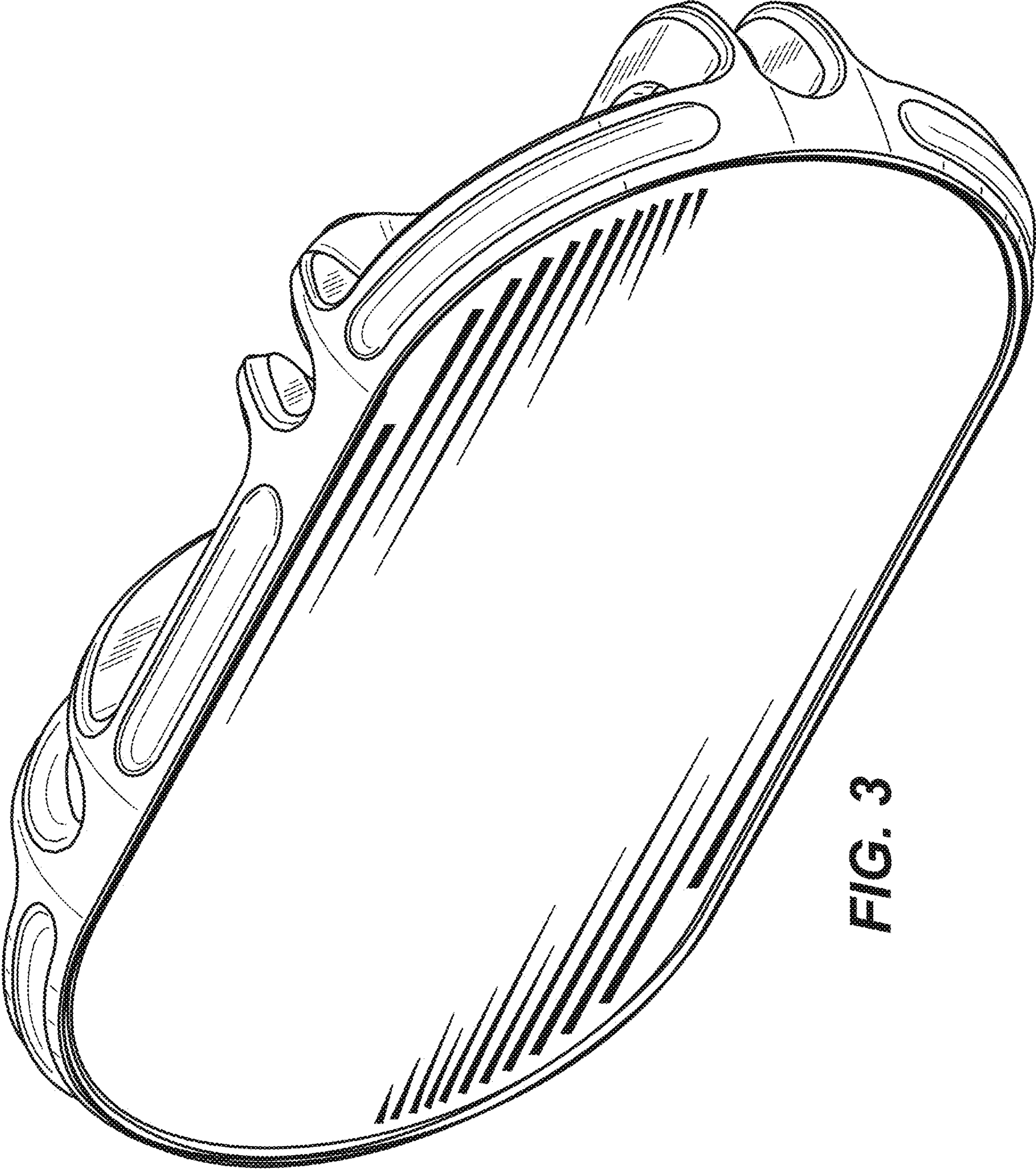


FIG. 3

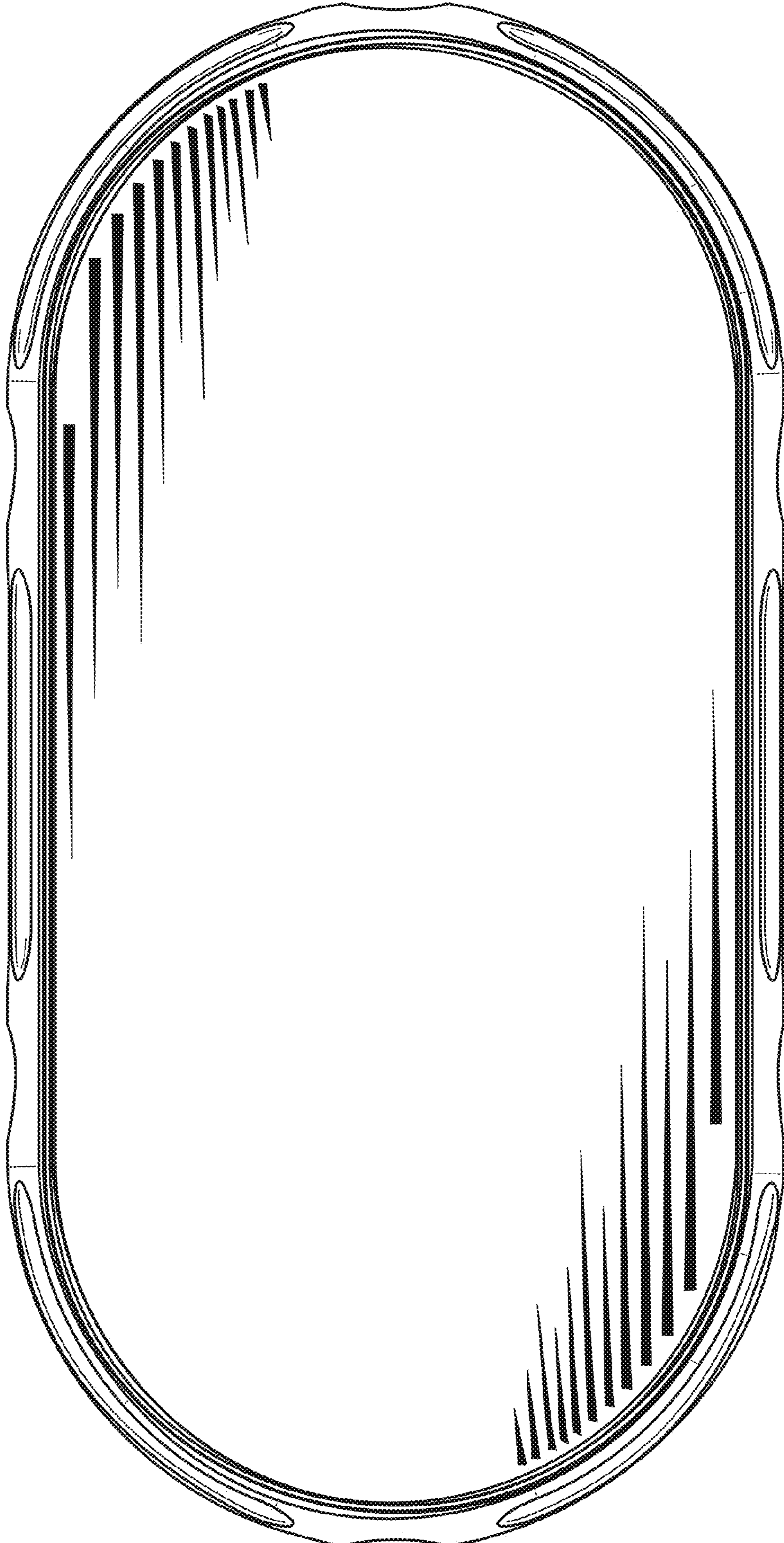


FIG. 4

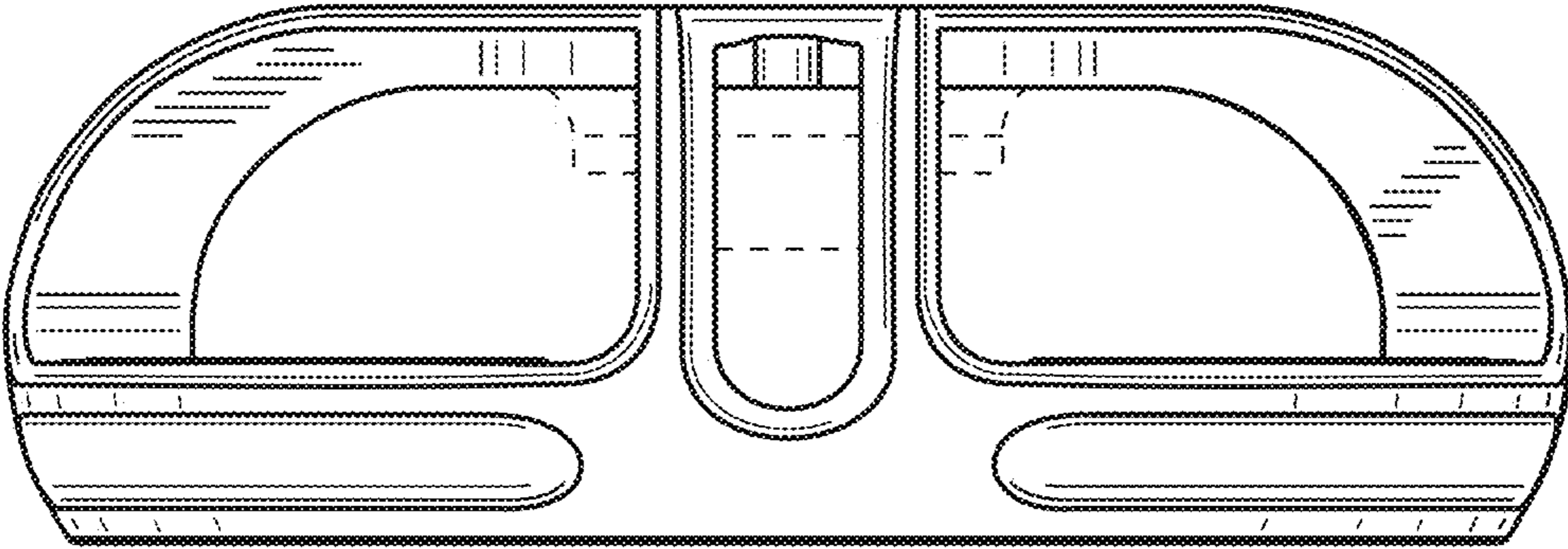


FIG. 5

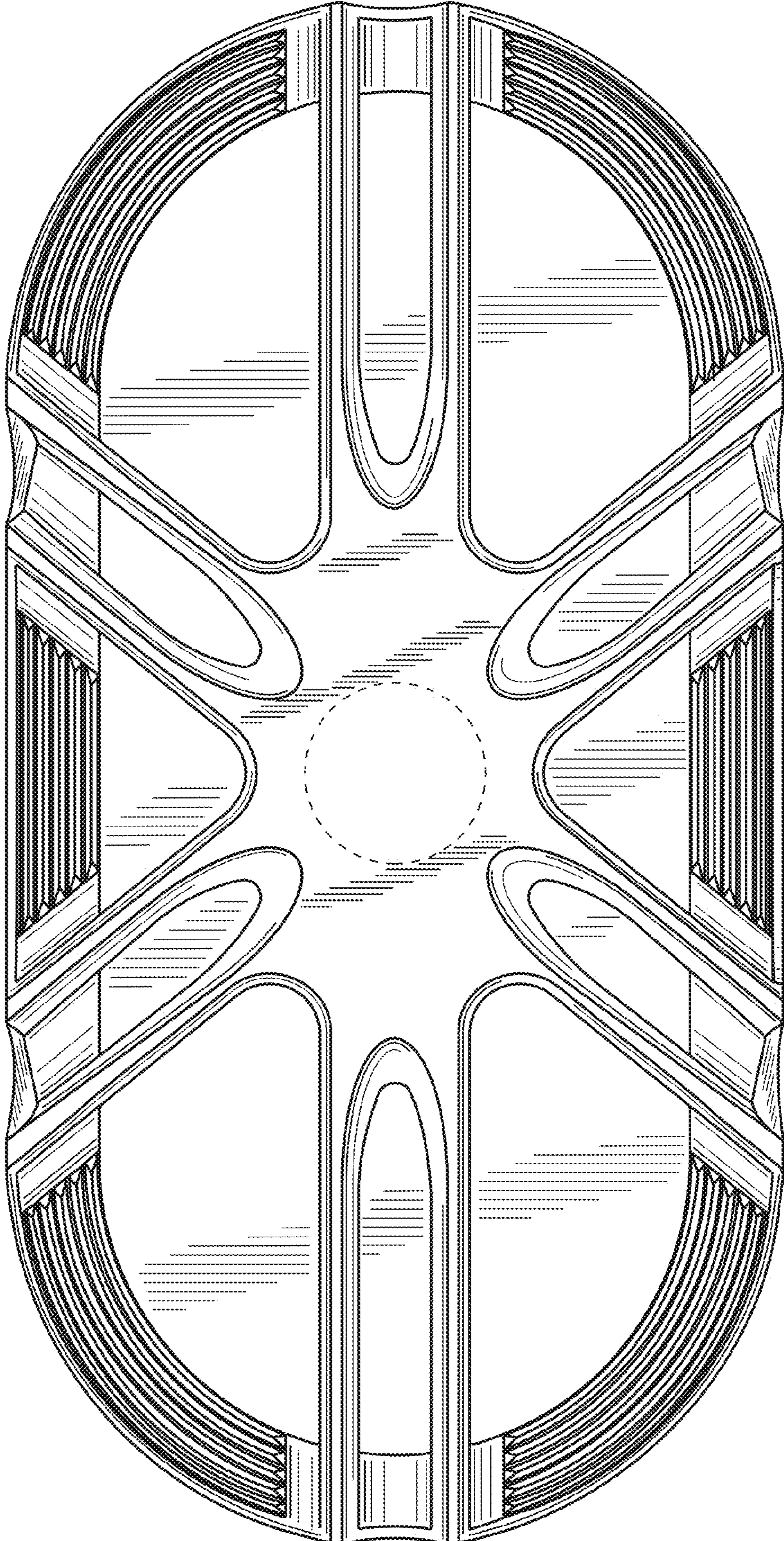


FIG. 6

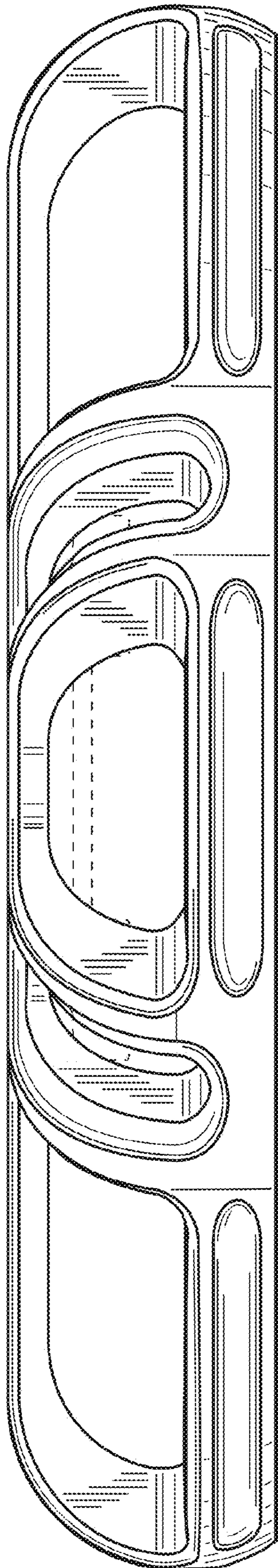


FIG. 7