

US00D871979S

(12) **United States Design Patent**  
**Zheng**

(10) **Patent No.:** **US D871,979 S**

(45) **Date of Patent:** **\*\* Jan. 7, 2020**

(54) **VEHICLE GRILLE**

(71) Applicant: **Huidong Zheng**, Jiangsu (CN)

(72) Inventor: **Huidong Zheng**, Jiangsu (CN)

(\*\*) Term: **15 Years**

(21) Appl. No.: **29/664,928**

(22) Filed: **Sep. 28, 2018**

(30) **Foreign Application Priority Data**

Jul. 13, 2018 (CN) ..... 2018 3 0378495

(51) **LOC (12) Cl.** ..... **12-16**

(52) **U.S. Cl.**  
USPC ..... **D12/163**

(58) **Field of Classification Search**  
USPC ..... D12/169, 196, 86, 90-92, 163, 190, 98,  
D12/164; 293/102, 113, 115, 117, 120,  
293/193.11; 296/180.1, 180.2; 180/68.1,  
180/68.6  
CPC ..... B60R 19/52; B60K 11/08; B62D 25/08;  
B62B 9/16  
See application file for complete search history.

(56) **References Cited**

**U.S. PATENT DOCUMENTS**

D534,458 S \* 1/2007 Renkert ..... D12/91  
D554,563 S \* 11/2007 Moushegian ..... D12/91  
D731,922 S \* 6/2015 Beaven ..... D12/91  
D777,065 S \* 1/2017 Patel ..... D12/163  
D807,797 S \* 1/2018 Peat ..... D12/163

D810,626 S \* 2/2018 Macey ..... D12/91  
D811,270 S \* 2/2018 Zhang ..... D12/91  
D814,354 S \* 4/2018 Fisker ..... D12/91  
D826,107 S \* 8/2018 DiCanzio ..... D12/163  
D827,495 S \* 9/2018 Piscitelli ..... D12/91  
D828,223 S \* 9/2018 Piscitelli ..... D12/91  
D842,172 S \* 3/2019 Chi ..... D12/163  
D842,175 S \* 3/2019 Hartenstein ..... D12/163  
D847,025 S \* 4/2019 Zavatski ..... D12/91

\* cited by examiner

*Primary Examiner* — Melody N Brown

(74) *Attorney, Agent, or Firm* — Erson IP (Nelson IP)

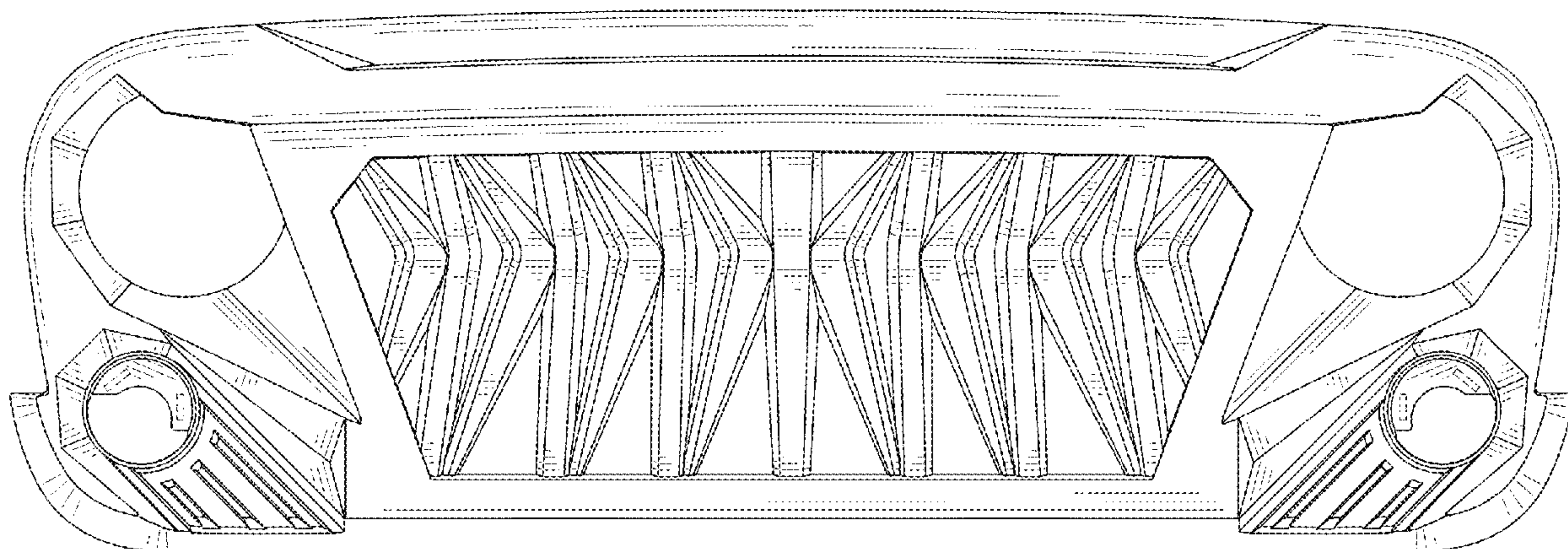
(57) **CLAIM**

The ornamental design for a vehicle grille, as shown and described.

**DESCRIPTION**

FIG. 1 is a front elevational view of a vehicle grille showing my new design;  
FIG. 2 is a rear elevational view thereof;  
FIG. 3 is a left side elevational view thereof;  
FIG. 4 is a right side elevational view thereof;  
FIG. 5 is a top plan view thereof;  
FIG. 6 is a bottom plan view thereof;  
FIG. 7 is a front perspective view thereof; and,  
FIG. 8 is a rear perspective view thereof.  
The broken lines show components of the vehicle grille that form no part of the claimed design.

**1 Claim, 8 Drawing Sheets**



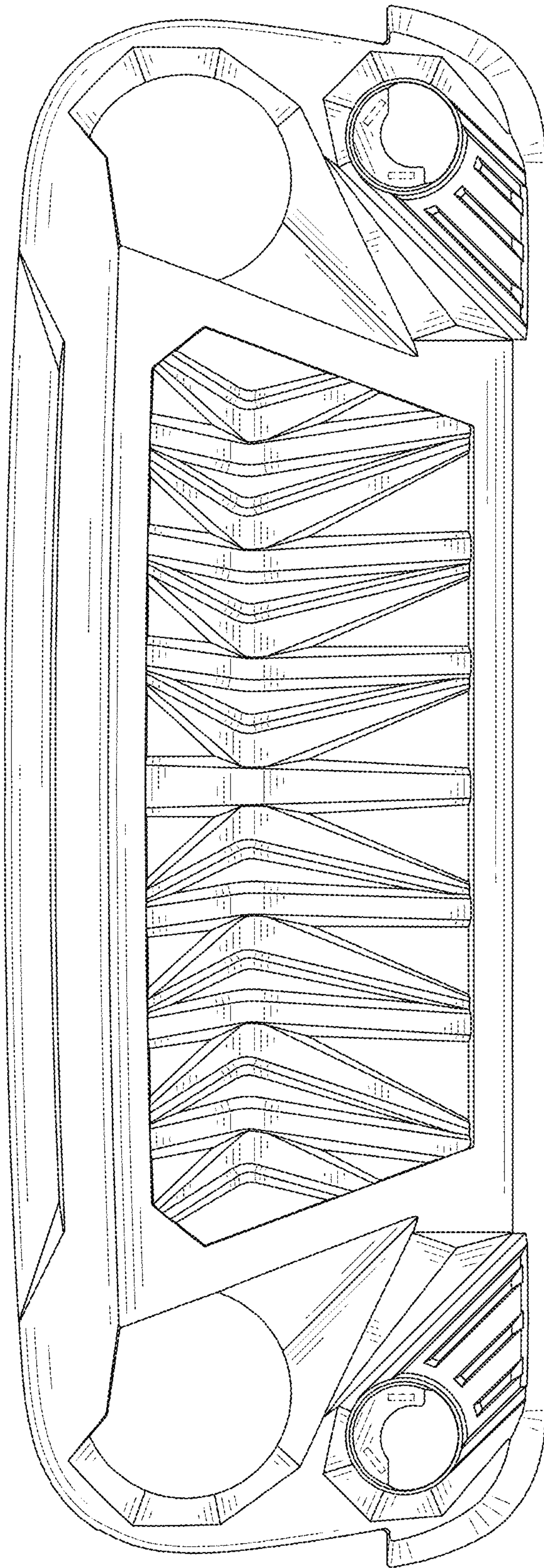


FIG. 1



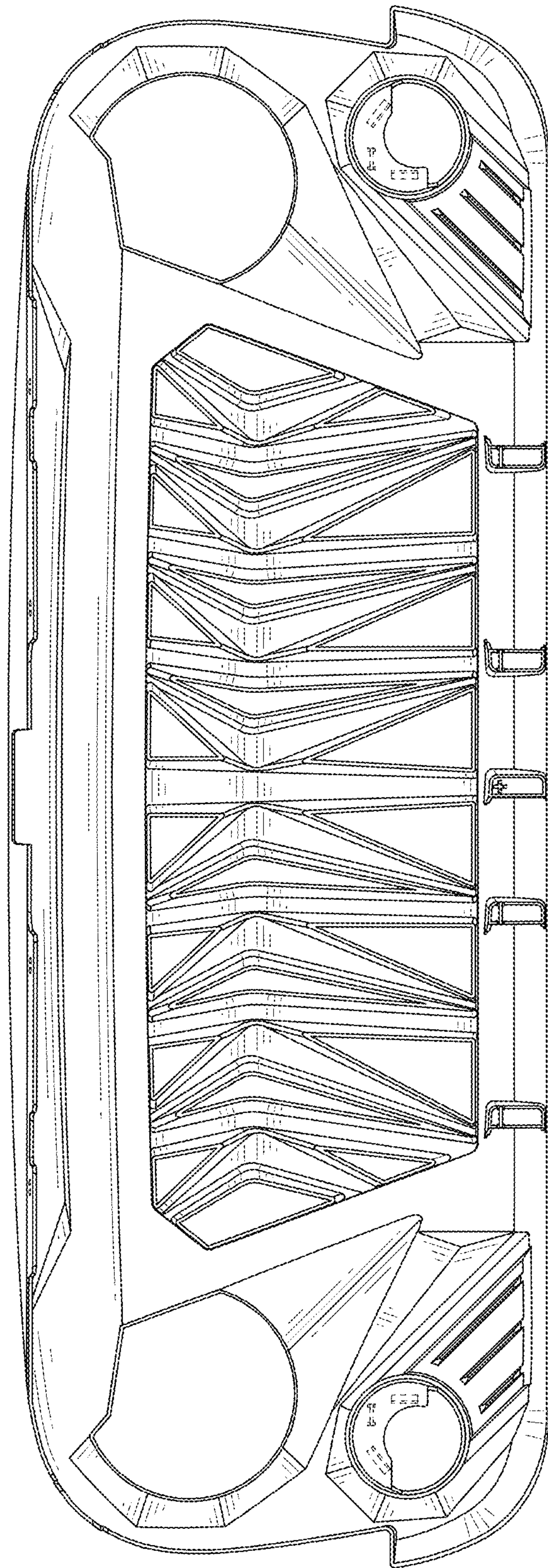


FIG. 2

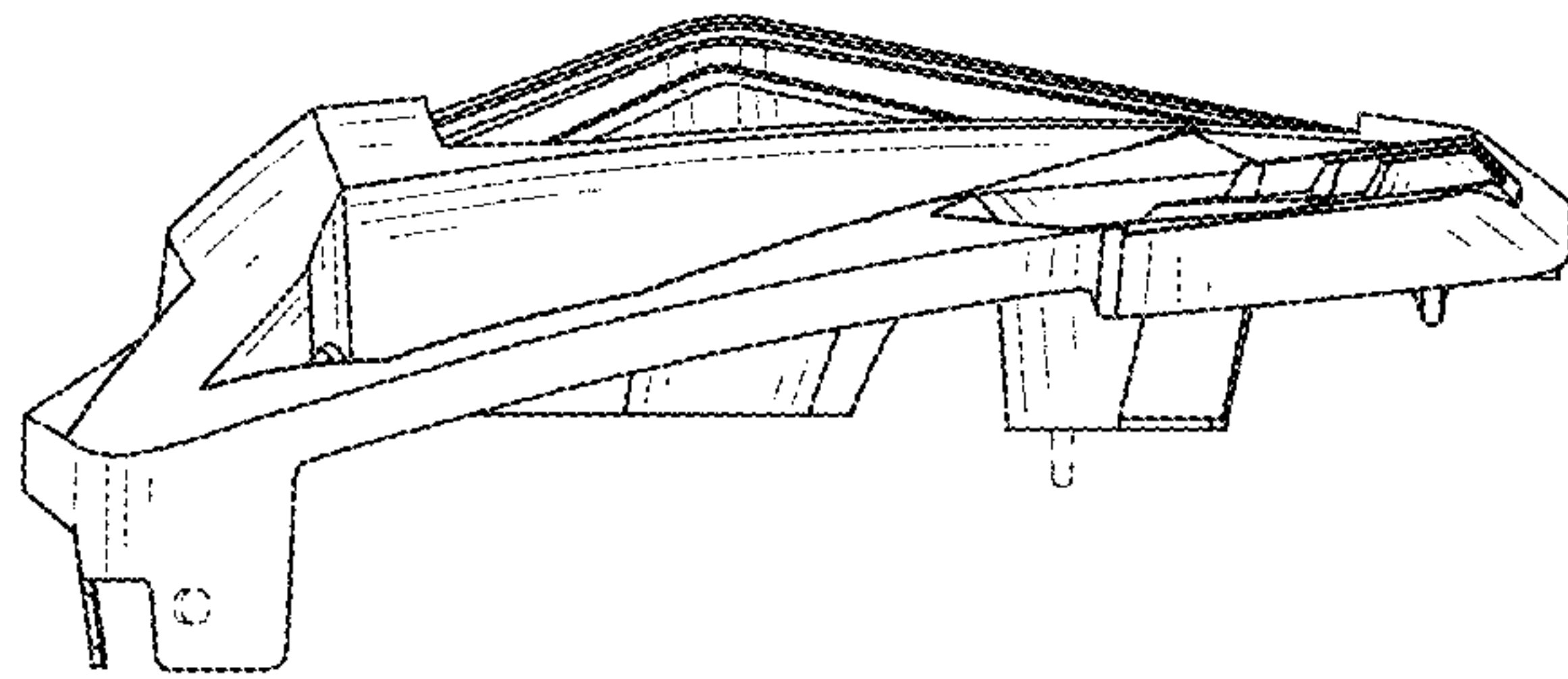


FIG. 3

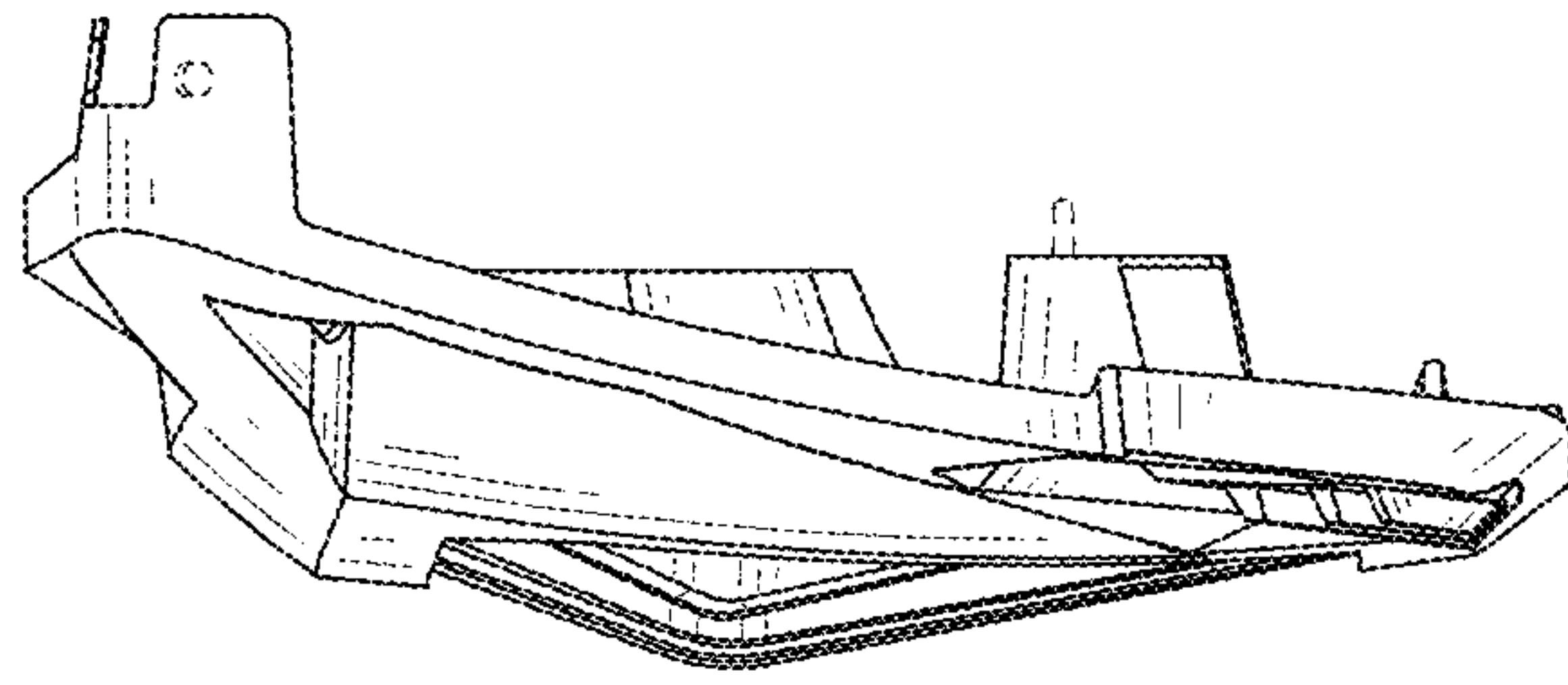


FIG. 4

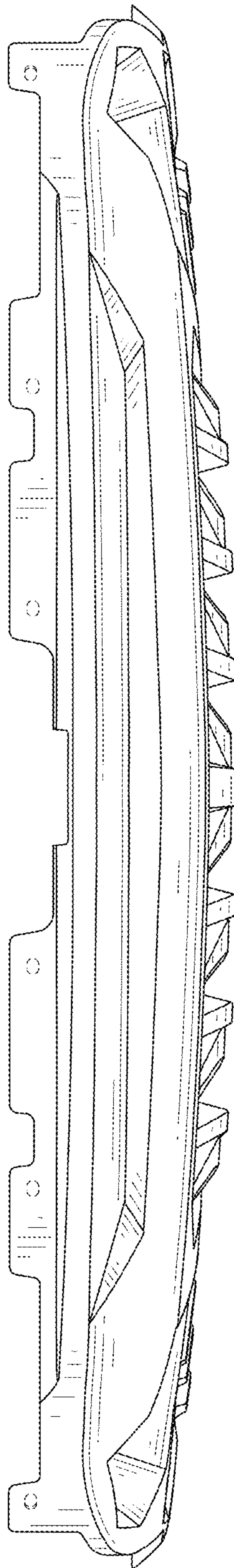


FIG. 5

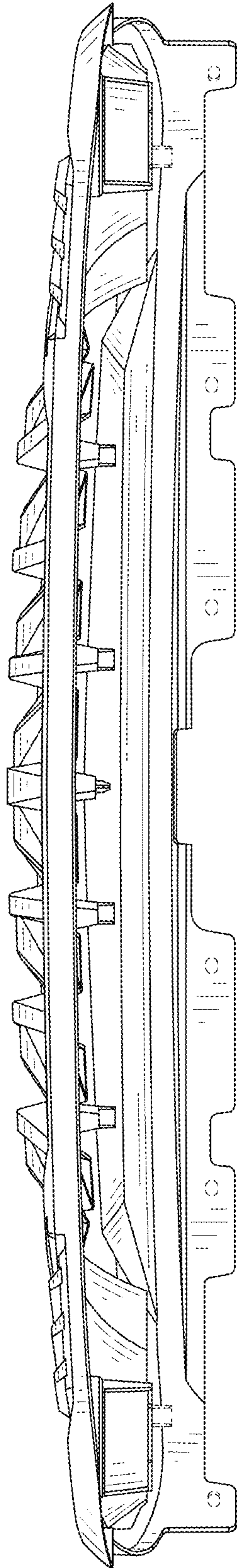


FIG. 6



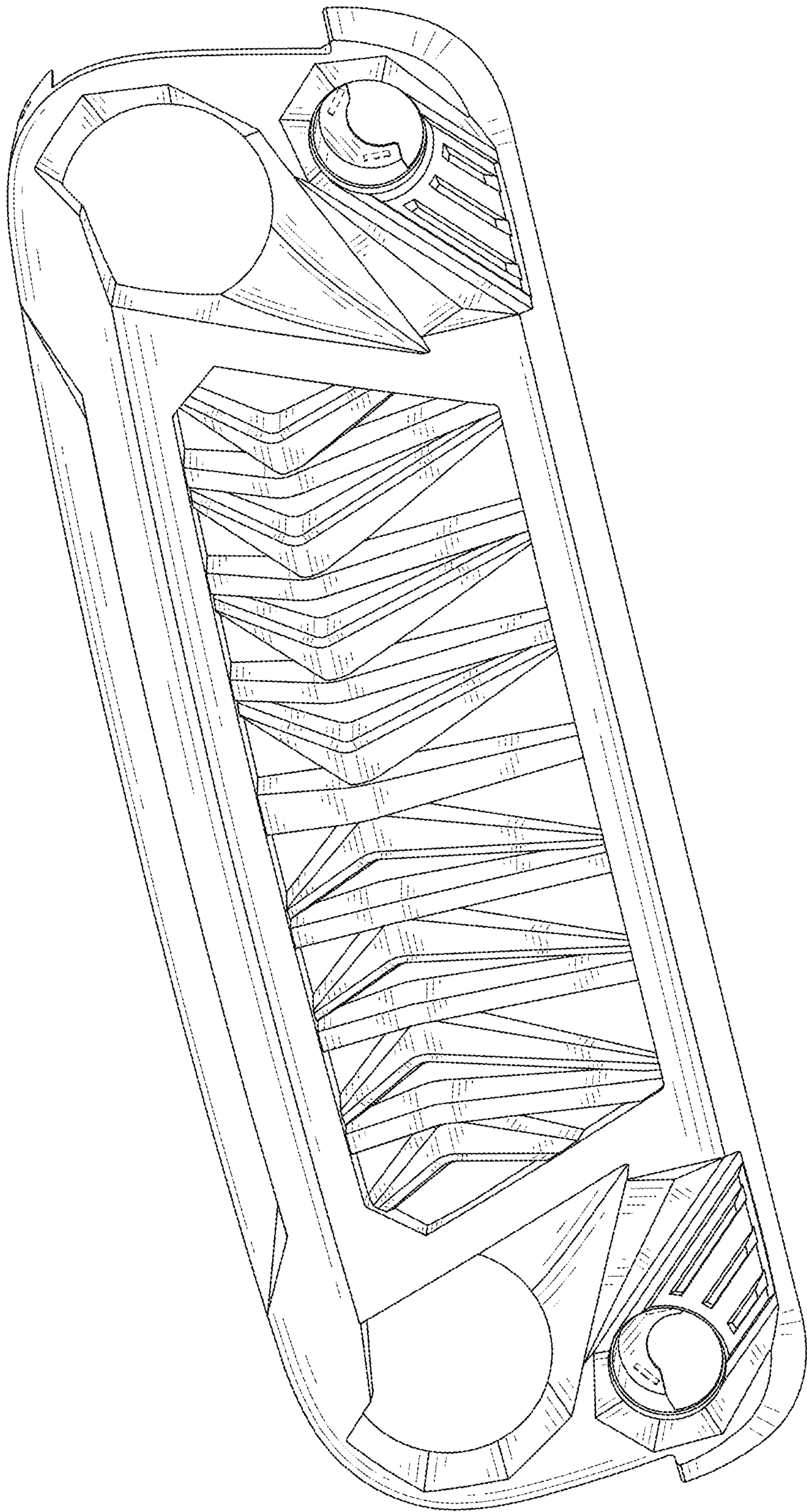


FIG. 7



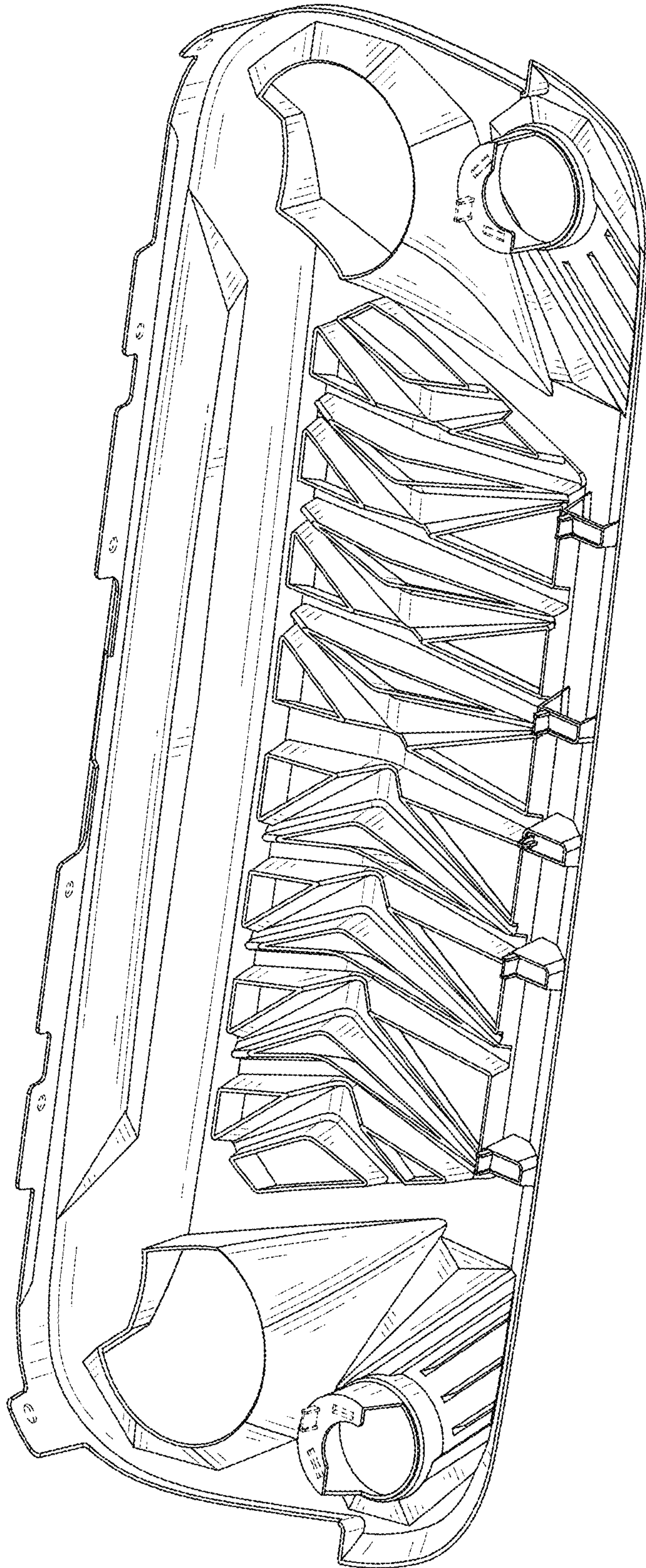


FIG. 8