



US00D871976S

(12) **United States Design Patent** (10) **Patent No.:** **US D871,976 S**  
**Martin** (45) **Date of Patent:** **\*\* Jan. 7, 2020**

(54) **MOTORCYCLE, TOY, AND/OR REPLICAS THEREOF**

(71) Applicant: **Bayerische Motoren Werke Aktiengesellschaft, Munich (DE)**

(72) Inventor: **Andreas Maximilian Martin, Hoehenkirchen-Siegersbrunn (DE)**

(73) Assignee: **Bayerische Motoren Werke Aktiengesellschaft, Munich (DE)**

(\*\*) Term: **15 Years**

(21) Appl. No.: **29/649,408**

(22) Filed: **May 30, 2018**

(30) **Foreign Application Priority Data**

Dec. 6, 2017 (DE) ..... 40 2017 101 321

(51) **LOC (12) Cl.** ..... **12-11**

(52) **U.S. Cl.**  
USPC ..... **D12/110**

(58) **Field of Classification Search**  
USPC ..... D12/110, 111, 117; D21/432, 538  
CPC ..... B62K 11/00; B62K 11/02; B62K 11/04;  
B62K 11/10; B62K 17/00; B62K 19/00;  
B62K 2202/00

See application file for complete search history.

(56) **References Cited**

**U.S. PATENT DOCUMENTS**

D500,463 S	1/2005	Heinrich et al.	
D519,884 S *	5/2006	Heinrich	D12/110
D566,010 S *	4/2008	Hohdorf	D12/110
D582,316 S *	12/2008	Stenegard	D12/110
D587,172 S	2/2009	Buckan et al.	
D588,960 S	3/2009	Buckan et al.	
D591,205 S *	4/2009	Heinrich	D12/110
D597,449 S *	8/2009	Nagao	D12/110

D601,458 S *	10/2009	Nagao	D12/110
D605,089 S *	12/2009	Tanaka	D12/110
D636,708 S *	4/2011	Katagiri	D12/110
D638,756 S *	5/2011	Kouchi	D12/110
D651,138 S *	12/2011	Lai	D12/110
D652,769 S *	1/2012	Kudo	D12/110
D669,821 S *	10/2012	Nishihara	D12/110
D688,983 S *	9/2013	Shibuta	D12/110
D689,406 S *	9/2013	Yasuhara	D12/110
D695,153 S *	12/2013	Buckan	D12/110
D695,154 S *	12/2013	Buckan	D12/110
8,827,024 B1 *	9/2014	Sumi	B62K 25/02 180/227
D723,429 S *	3/2015	Hohdorf	D12/110
D735,085 S *	7/2015	Buckan	D12/110
D736,677 S *	8/2015	Iimura	D12/110

(Continued)

**FOREIGN PATENT DOCUMENTS**

EM	000106513-0001	12/2004
EM	000816483-0001	1/2008

(Continued)

*Primary Examiner* — Darlington Ly

(74) *Attorney, Agent, or Firm* — Crowell & Moring LLP

(57) **CLAIM**

The ornamental design for a motorcycle, toy, and/or replicas thereof, as shown and described.

**DESCRIPTION**

FIG. 1 is a front and left side perspective view of a motorcycle, toy, and/or replicas thereof showing our new design;

FIG. 2 is a left side elevation view thereof;

FIG. 3 is a right side elevation view thereof;

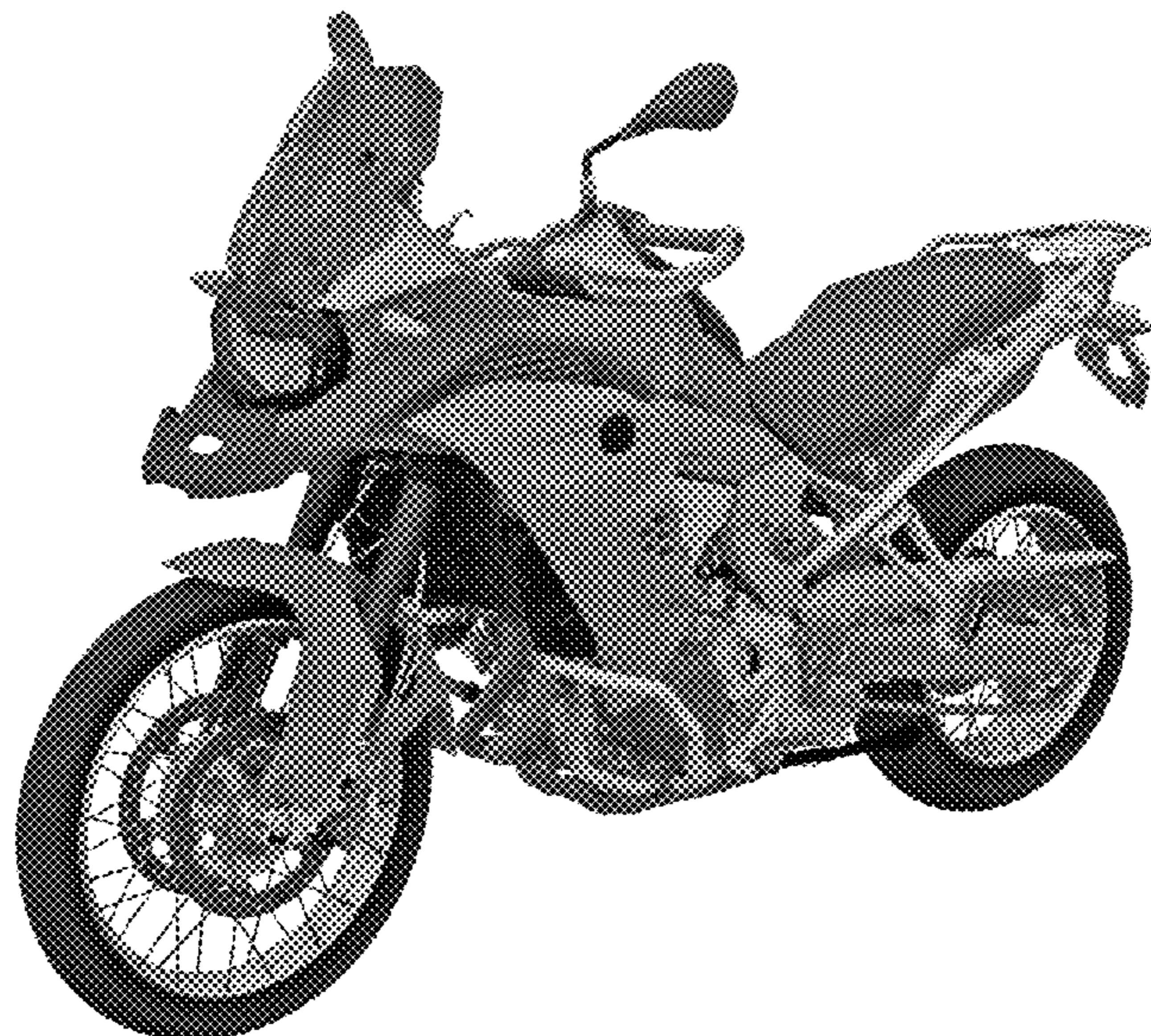
FIG. 4 is a front elevation view thereof;

FIG. 5 is a rear elevation view thereof;

FIG. 6 is a top plan view thereof; and,

FIG. 7 is a bottom plan view thereof.

**1 Claim, 7 Drawing Sheets**



(56)

**References Cited**

U.S. PATENT DOCUMENTS

D805,439 S \* 12/2017 Hohdorf ..... D12/110  
2012/0318598 A1\* 12/2012 Fujiyama ..... B60K 5/12  
180/219  
2015/0101875 A1\* 4/2015 Inayama ..... B60K 13/02  
180/225

FOREIGN PATENT DOCUMENTS

EM 000854476-0001 3/2008  
EM 002084772-0001 2/2015

\* cited by examiner

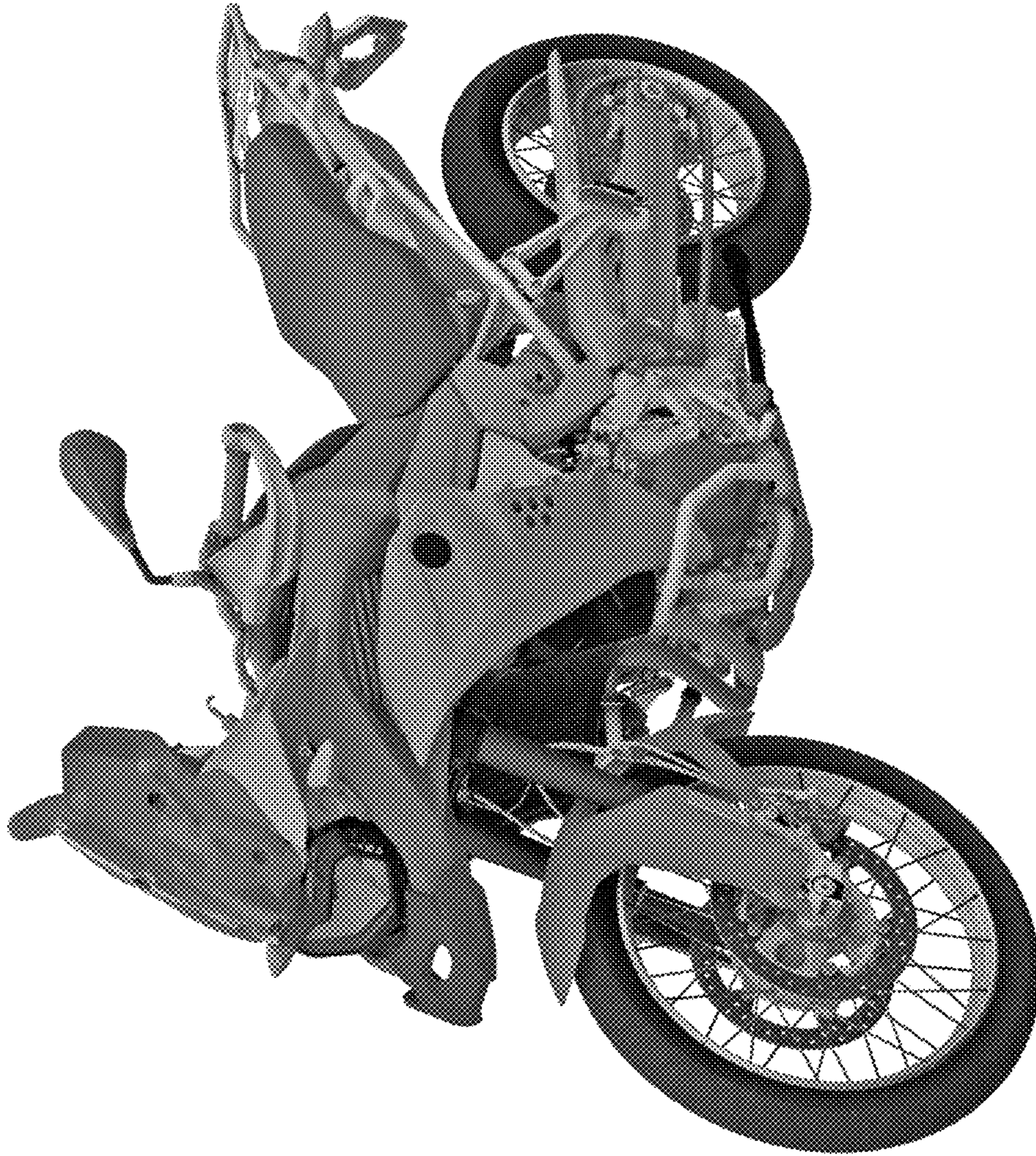


Fig. 1



Fig. 2

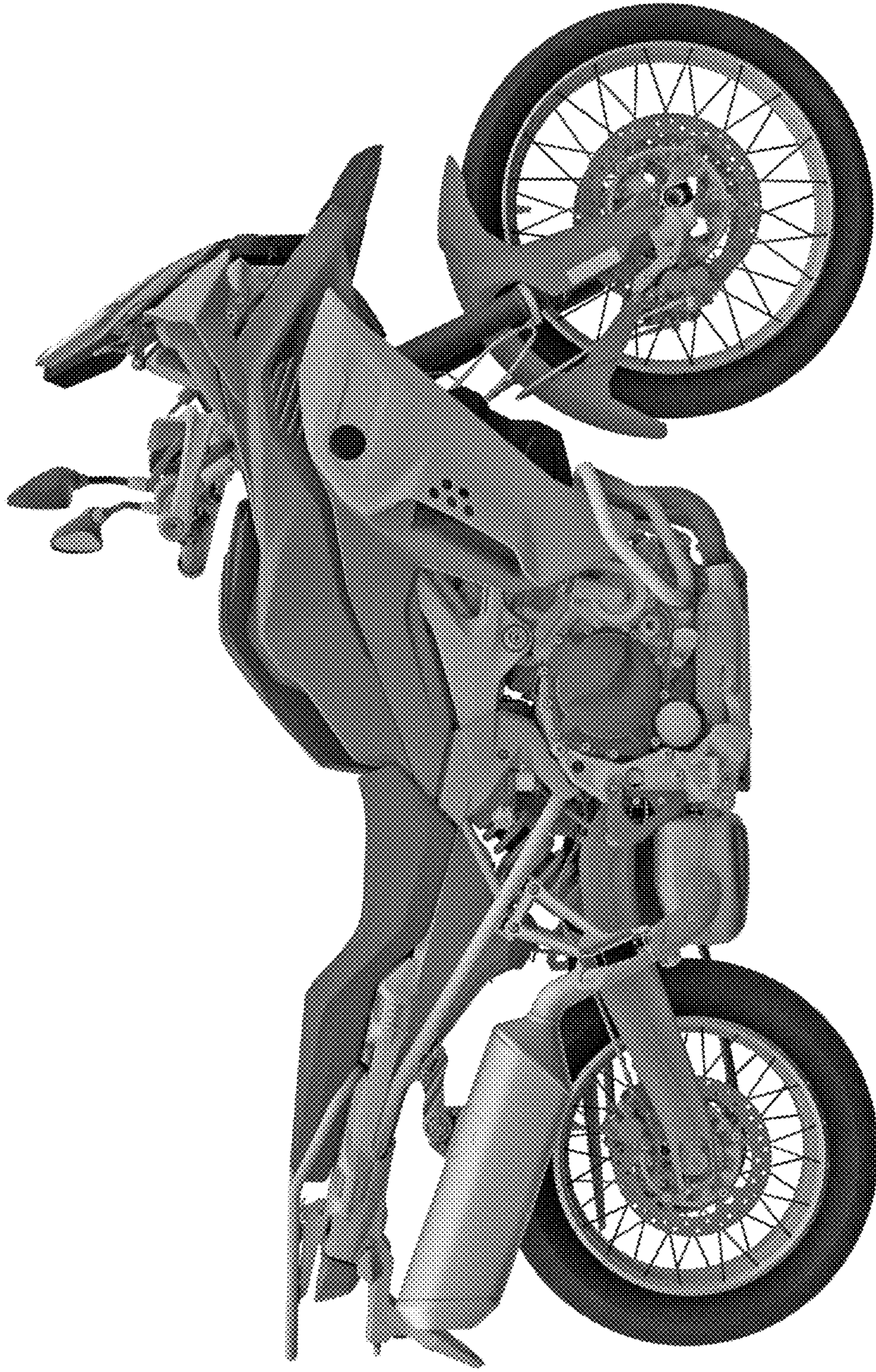


Fig. 3

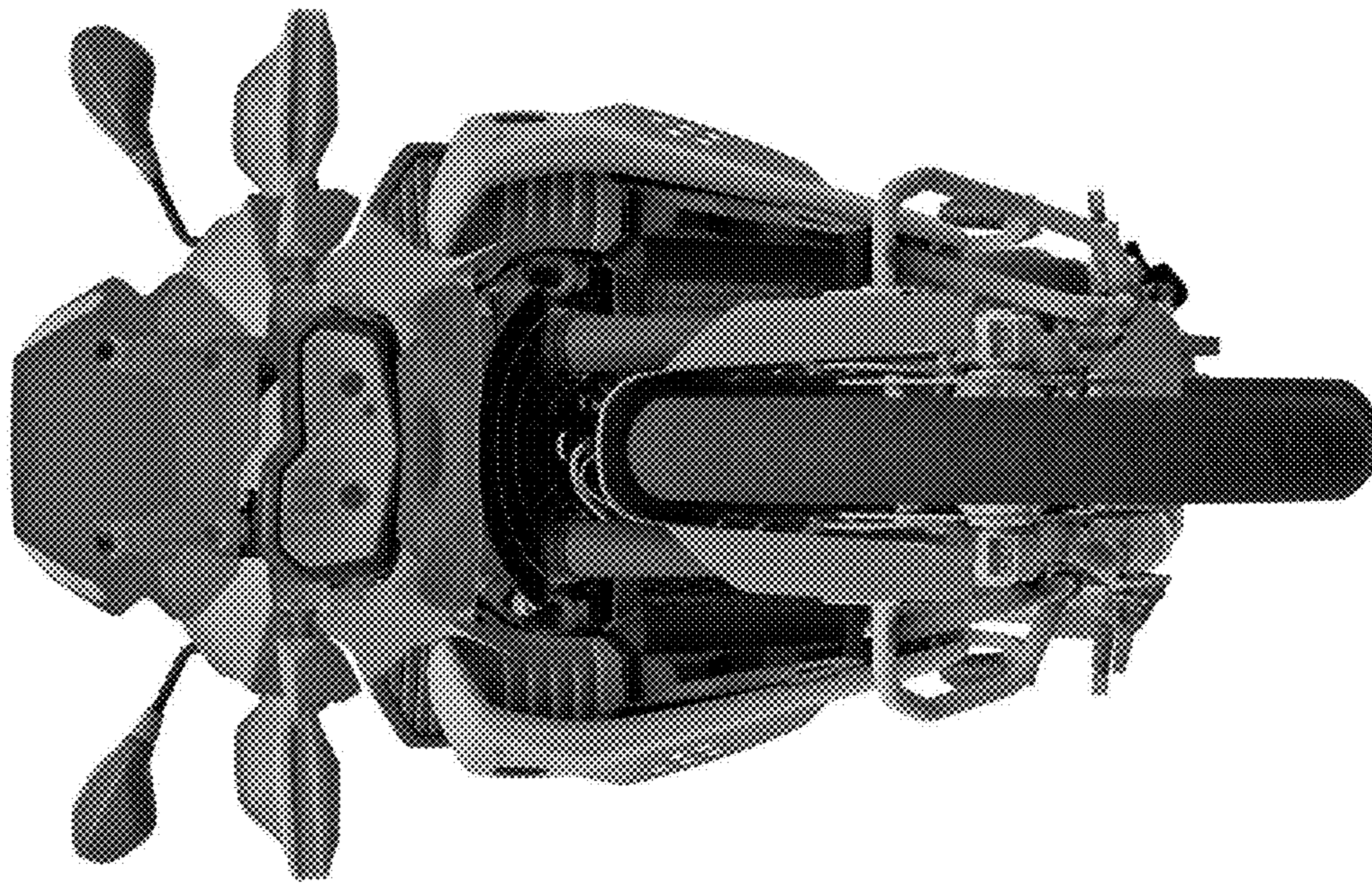


Fig. 4

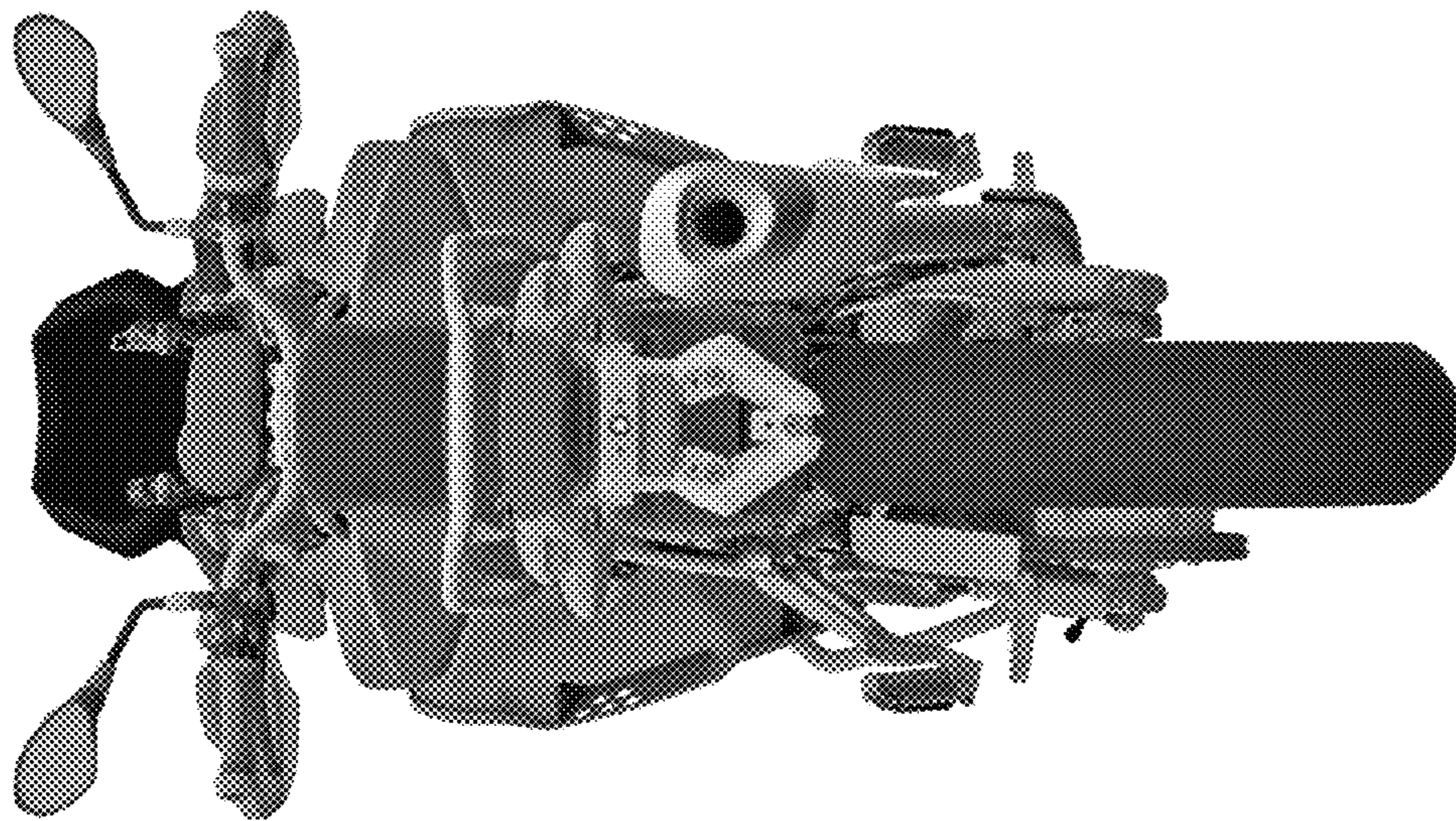


Fig. 5

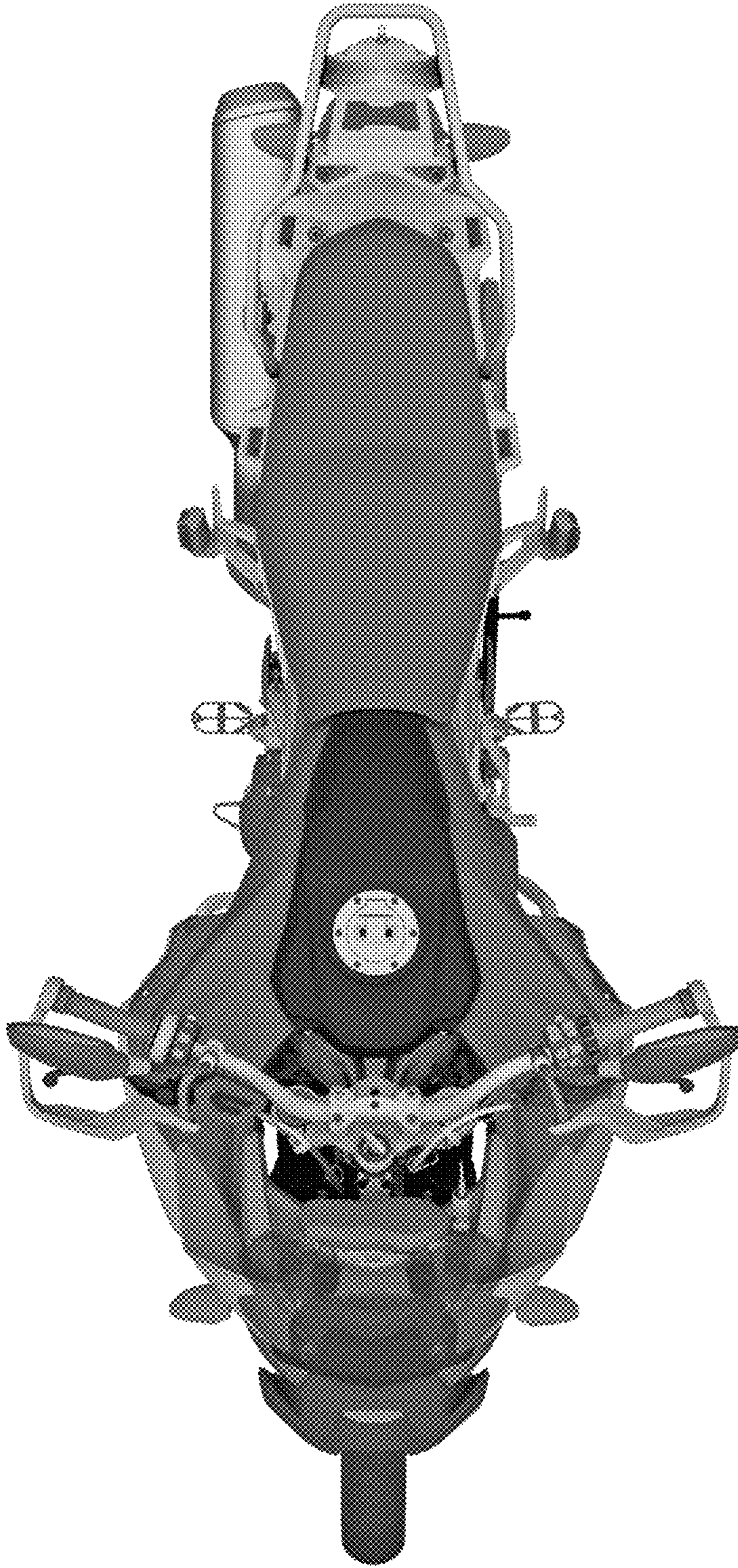


Fig. 6



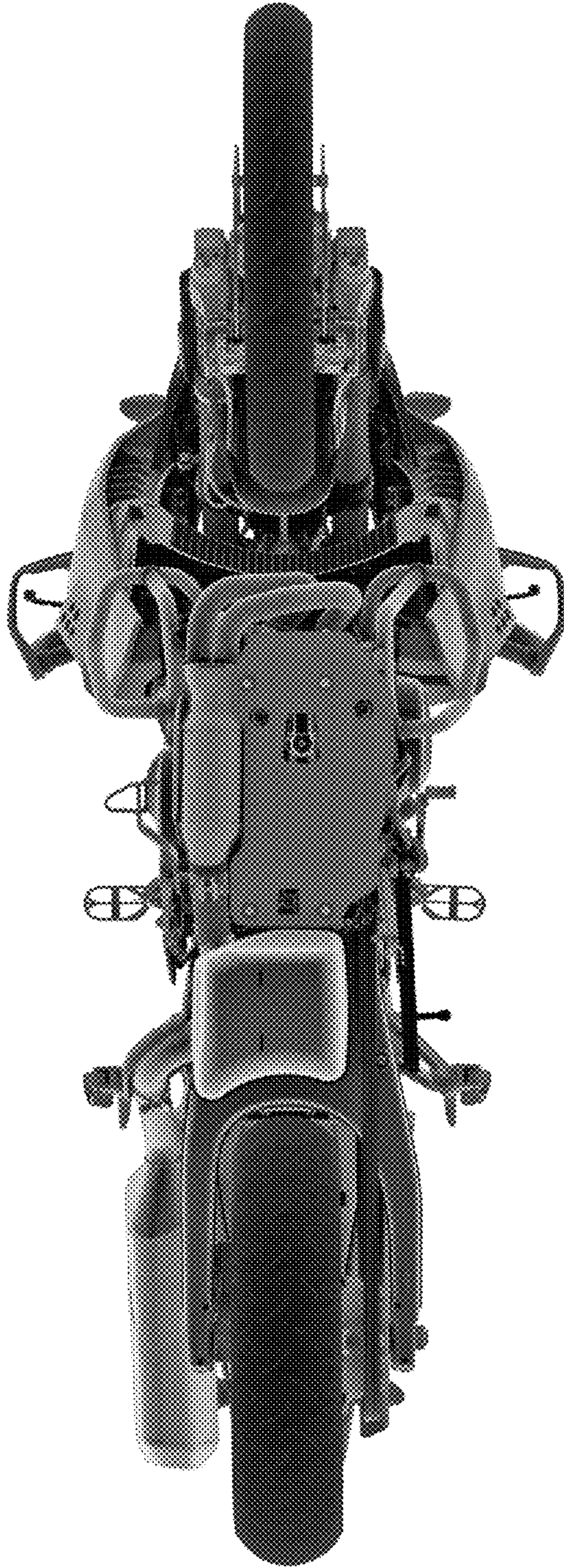


Fig. 7