



US00D871974S

(12) **United States Design Patent**  
**Downs**

(10) **Patent No.:** **US D871,974 S**  
(45) **Date of Patent:** **\*\* Jan. 7, 2020**

(54) **FOOT FOR A JACK ASSEMBLY**  
(71) Applicant: **Dutton-Lainson Company**, Hastings,  
NE (US)  
(72) Inventor: **Joseph C. Downs**, Lexington, KY (US)  
(73) Assignee: **DUTTON-LAINSON COMPANY**,  
Hastings, NE (US)  
(\*\*) Term: **15 Years**

3,458,173 A \* 7/1969 Kornovich ..... B60S 9/08  
254/420  
3,580,543 A \* 5/1971 Hafeli ..... B66F 13/00  
254/100  
3,863,894 A \* 2/1975 Mansi ..... B60D 1/66  
254/420  
D260,382 S \* 8/1981 Williams ..... D34/31  
4,283,073 A \* 8/1981 Gostomski ..... B60D 1/06  
280/508  
D291,017 S \* 7/1987 Magness ..... D12/106  
D318,355 S 7/1991 Salvesen  
(Continued)

(21) Appl. No.: **29/646,528**  
(22) Filed: **May 4, 2018**  
(51) **LOC (12) Cl.** ..... **12-10**  
(52) **U.S. Cl.**  
USPC ..... **D12/106**  
(58) **Field of Classification Search**  
USPC ..... D12/159–163, 167, 169, 172, 203, 223,  
D12/400–416, 100–106, 317, 19, 129,  
D12/111, 112, 425, 435; 224/923, 924,  
224/42.11, 42.12, 401, 412, 413, 488,  
224/494, 500, 501, 519, 537; 211/100,  
211/124, 2, 4; 56/DIG. 14; 150/166;  
135/88.05; 280/406.2, 407, 407.1, 408,  
280/411.1, 416.1, 416.2, 416.3, 418,  
280/418.1, 433, 434, 435, 441.1, 441.2,  
280/455.1, 456.1, 480, 493, 504, 507,  
280/508, 47.131; 37/399; D34/31, 35,  
D34/21–26, 12, 16–19; 254/97;  
114/344; D8/300, 375; 414/559  
CPC . B62D 35/02; B62D 35/00; B60P 3/10; B60P  
3/1033; A62B 3/005  
See application file for complete search history.

**OTHER PUBLICATIONS**

Trailer Swivel Jack, 1000 Lbs., Grainger.com, [online], [site visited  
Aug. 21, 2019]. <URL: [https://www.grainger.com/product/6ZAT0?gclid=EAlalQobChMlyd7L8d-U5AIVzGSGCh1cwQYNEAQYBiABEgl6a\\_D\\_BwE&cm\\_mmc=PPC:+Google+PLA&ef\\_id=EAlalQobChMlyd7L8d-U5AIVzGSGCh1c](https://www.grainger.com/product/6ZAT0?gclid=EAlalQobChMlyd7L8d-U5AIVzGSGCh1cwQYNEAQYBiABEgl6a_D_BwE&cm_mmc=PPC:+Google+PLA&ef_id=EAlalQobChMlyd7L8d-U5AIVzGSGCh1c)> (Year: 2019).\*

*Primary Examiner* — T Chase Nelson  
*Assistant Examiner* — Jonathan J. Han  
(74) *Attorney, Agent, or Firm* — Michael S. Hargis; King  
& Schickli, PLLC

(57) **CLAIM**

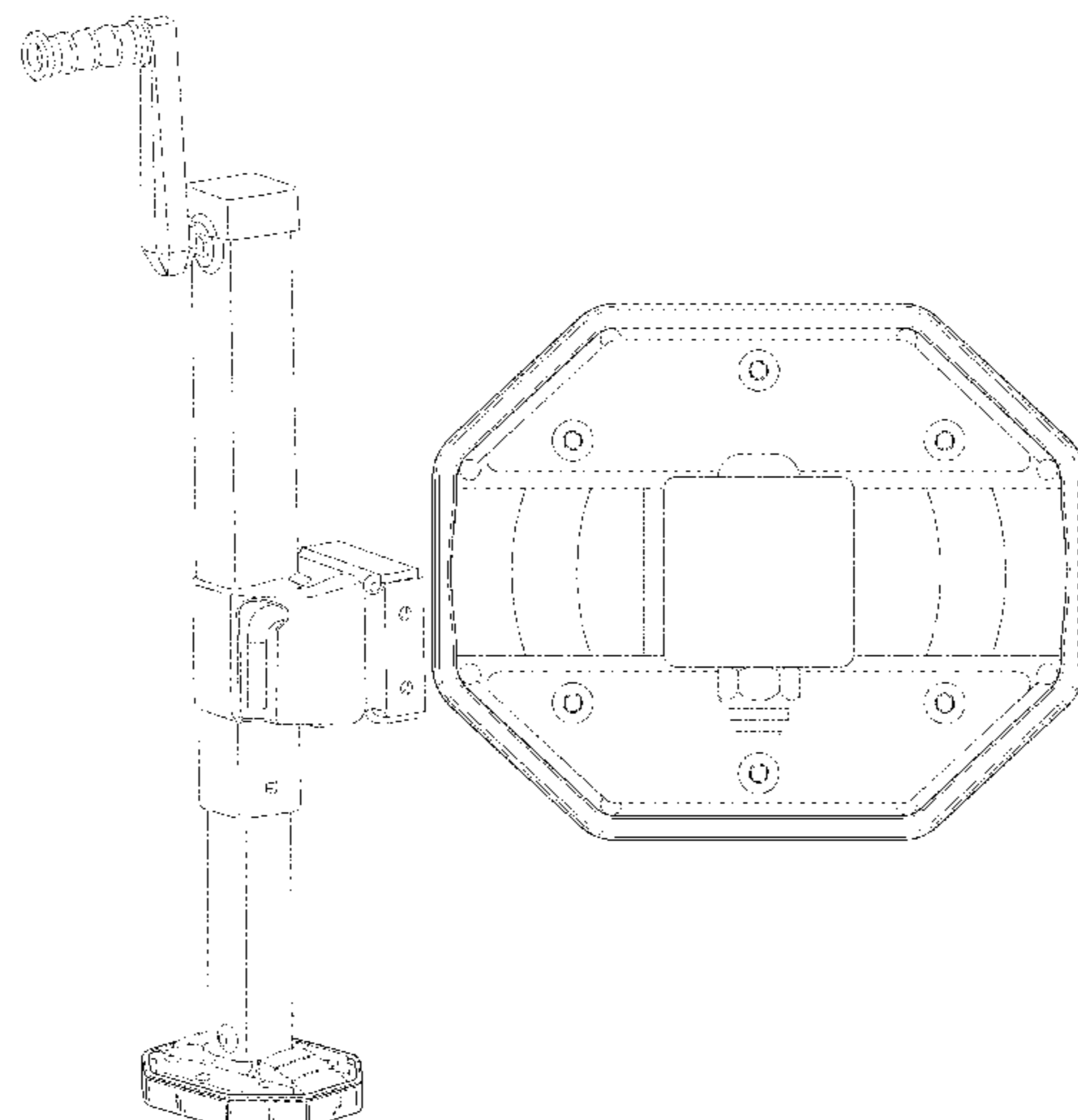
The ornamental design for a foot for a jack assembly, as  
shown and described.

**DESCRIPTION**

FIG. 1 is a perspective view of a foot for a jack assembly  
showing our new design;  
FIG. 2 is a top view thereof;  
FIG. 3 is a front view thereof;  
FIG. 4 is a rear view thereof;  
FIG. 5 is a right side view thereof; and,  
FIG. 6 is a left side view thereof.  
The broken lines depict environment and form no part of the  
claimed design.

**1 Claim, 4 Drawing Sheets**

(56) **References Cited**  
U.S. PATENT DOCUMENTS  
1,474,428 A \* 11/1923 Bain ..... B66F 13/00  
248/346.03  
3,161,401 A \* 12/1964 Starkey ..... B60S 9/08  
254/420



(56)

References Cited

U.S. PATENT DOCUMENTS

5,282,605 A 2/1994 Sauber  
 D351,345 S \* 10/1994 Geho ..... D9/430  
 D356,416 S \* 3/1995 Winslow ..... D34/31  
 D357,786 S \* 4/1995 Nichols ..... D34/31  
 D379,359 S \* 5/1997 Hupp ..... D15/136  
 D402,436 S \* 12/1998 Cawley ..... D1/129  
 6,145,813 A \* 11/2000 Anderson ..... B60S 9/08  
 254/418  
 D437,062 S \* 1/2001 Lancelot, III ..... D25/133  
 6,302,381 B1 10/2001 Roll  
 6,446,937 B1 \* 9/2002 Straw, Sr. .... B60S 9/08  
 248/352  
 6,874,764 B2 \* 4/2005 Drake, III ..... B60S 9/08  
 254/103  
 D568,575 S 5/2008 Walstrom et al.  
 D570,072 S 5/2008 Walstrom et al.  
 D577,175 S 9/2008 Walstrom et al.  
 D595,922 S 7/2009 Walstrom et al.  
 D602,672 S \* 10/2009 Stillwell ..... D34/31  
 D634,860 S \* 3/2011 Kimble ..... D25/133  
 D639,013 S \* 5/2011 Ahrenholtz ..... D34/31  
 D653,834 S \* 2/2012 Ahrenholtz ..... D34/31  
 8,523,148 B2 9/2013 Beck et al.  
 8,783,716 B1 \* 7/2014 Pequignot ..... B60S 9/04  
 280/763.1  
 D717,163 S \* 11/2014 Paulsen ..... D9/431  
 8,910,924 B2 \* 12/2014 Alanko ..... B60S 9/08  
 254/418  
 D722,414 S \* 2/2015 Lusty ..... D34/31

D764,278 S \* 8/2016 Tulin ..... D9/430  
 D772,421 S \* 11/2016 Lin ..... D21/815  
 9,738,127 B2 \* 8/2017 Drake ..... B60D 1/46  
 9,896,067 B2 2/2018 Okerlund et al.  
 D850,655 S \* 6/2019 van Hoytema ..... D25/68  
 2003/0089898 A1 \* 5/2003 Straw, Sr. .... B60S 9/08  
 254/425  
 2009/0057633 A1 3/2009 Beck et al.  
 2012/0091411 A1 \* 4/2012 Hansen ..... B60D 1/66  
 254/93 R  
 2015/0197220 A1 \* 7/2015 Lusty ..... B60S 9/08  
 254/420  
 2016/0325974 A1 \* 11/2016 Wilson ..... B60S 9/04

OTHER PUBLICATIONS

DLx-SF Tongue Jack—2000 lb., Dutton-Lainson.com, [online], [site visited Aug. 21, 2019]. <URL: <https://www.dutton-lainson.com/proddetail.php?prod=22340>> (Year: 2019).\*

Stromberg Carlson 7145-157584, Amazon.com, [online], [site visited Aug. 21, 2019]. <URL: <https://www.amazon.com/Stromberg-Carlson-7145-157584-Assembly-Stabilizer/dp/B07DG816QD>> (Year: 2019).\*

Four SnapPads for Bigfoot 10" Feet, TheBigfootLeveler.com, [online], [site visited Aug. 21, 2019]. <URL: <https://shop.thebigfootleveler.com/Four-SnapPads-for-Bigfoot-10-Feet-M27810-4.htm>> (Year: 2019).\*

HiWay 8 4-Pack, rvSnapPad.com, [online], [site visited Aug. 21, 2019]. <URL: <https://rvsnappad.com/collections/homepage/products/hiway-8-4-pack>> (Year: 2019).\*

\* cited by examiner

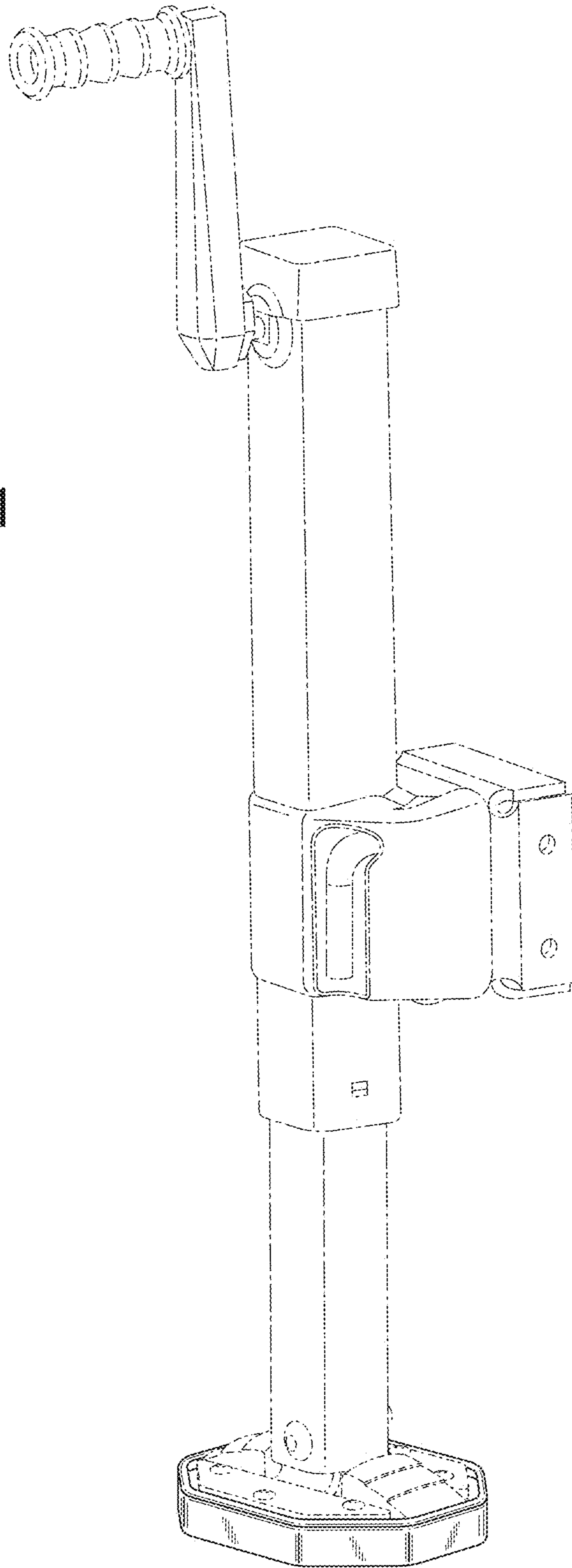


FIG. 1

FIG. 2

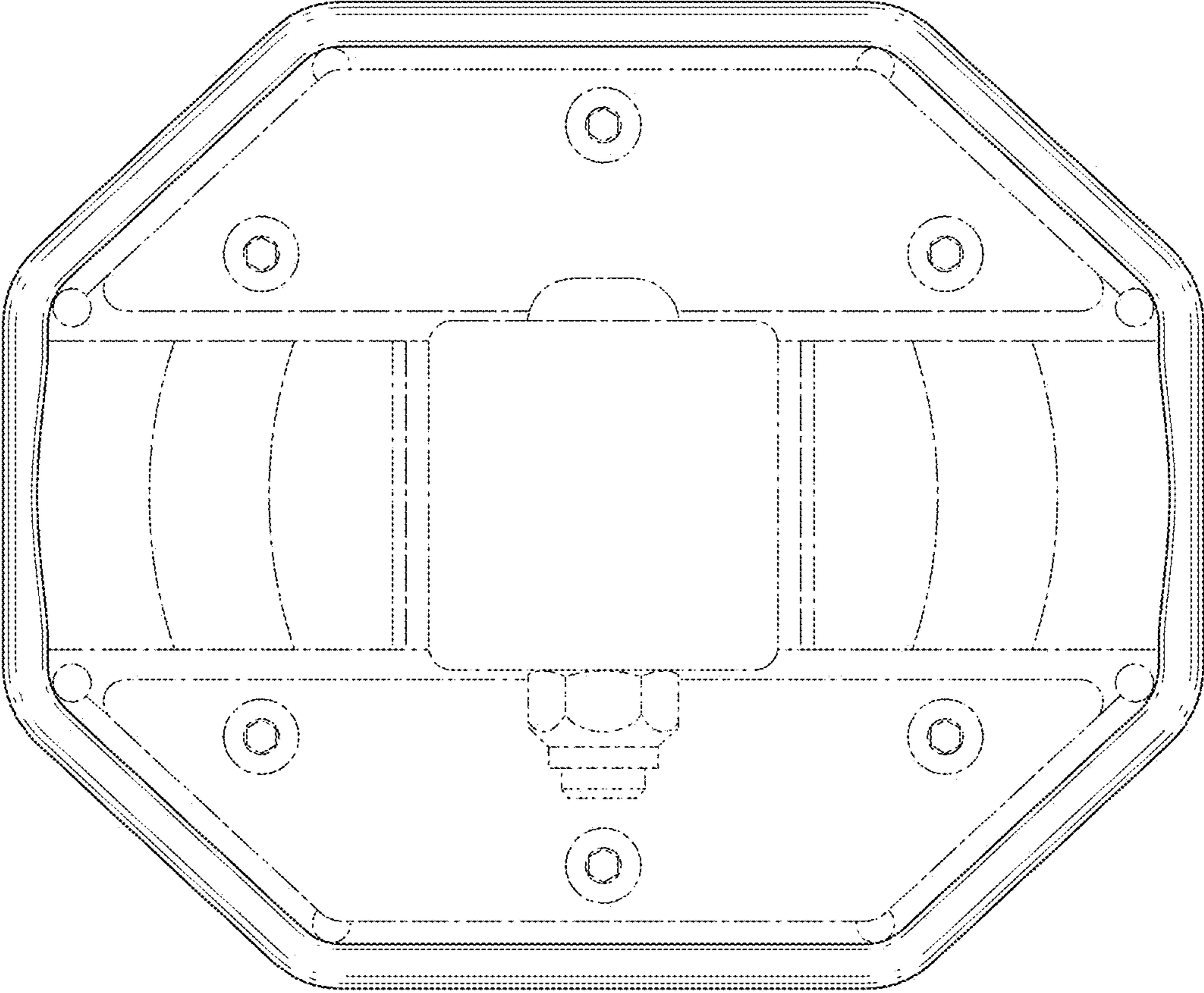




FIG. 3

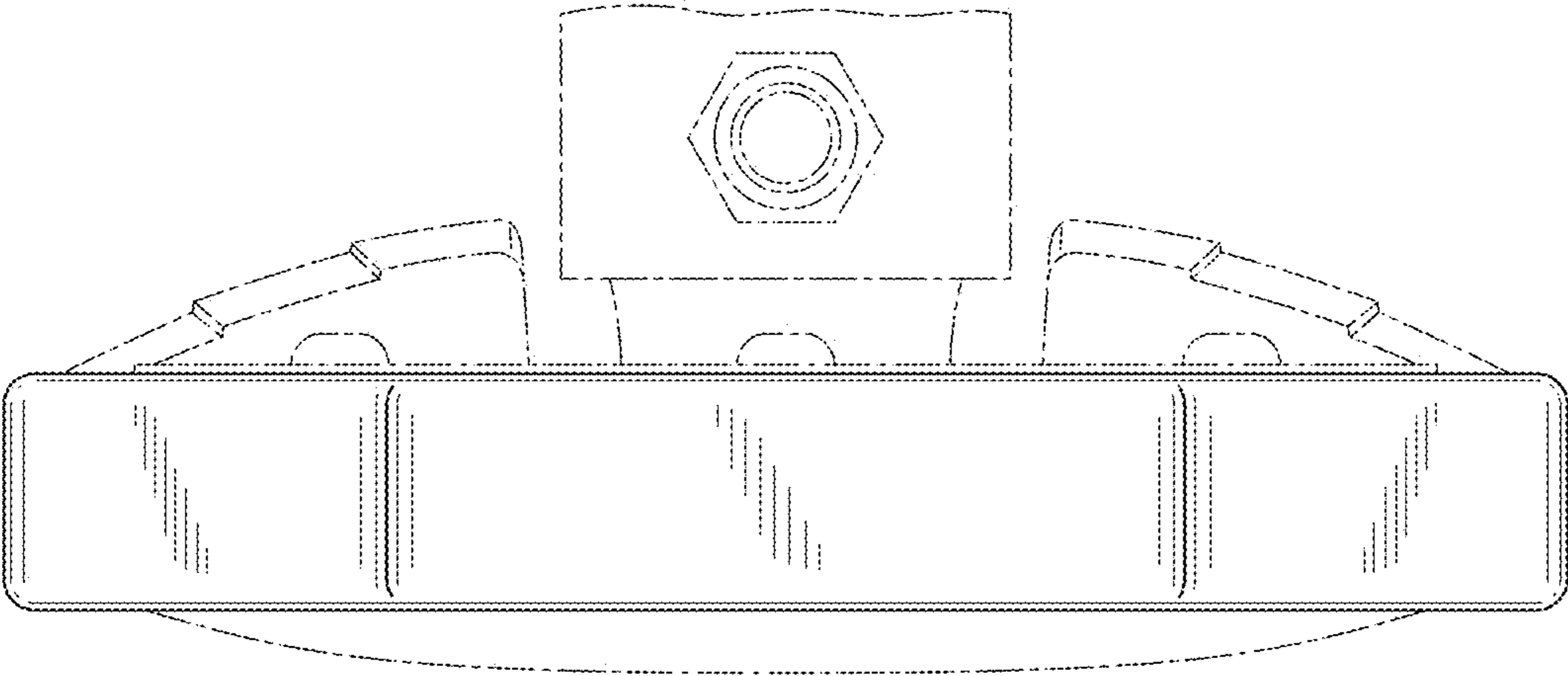


FIG. 4

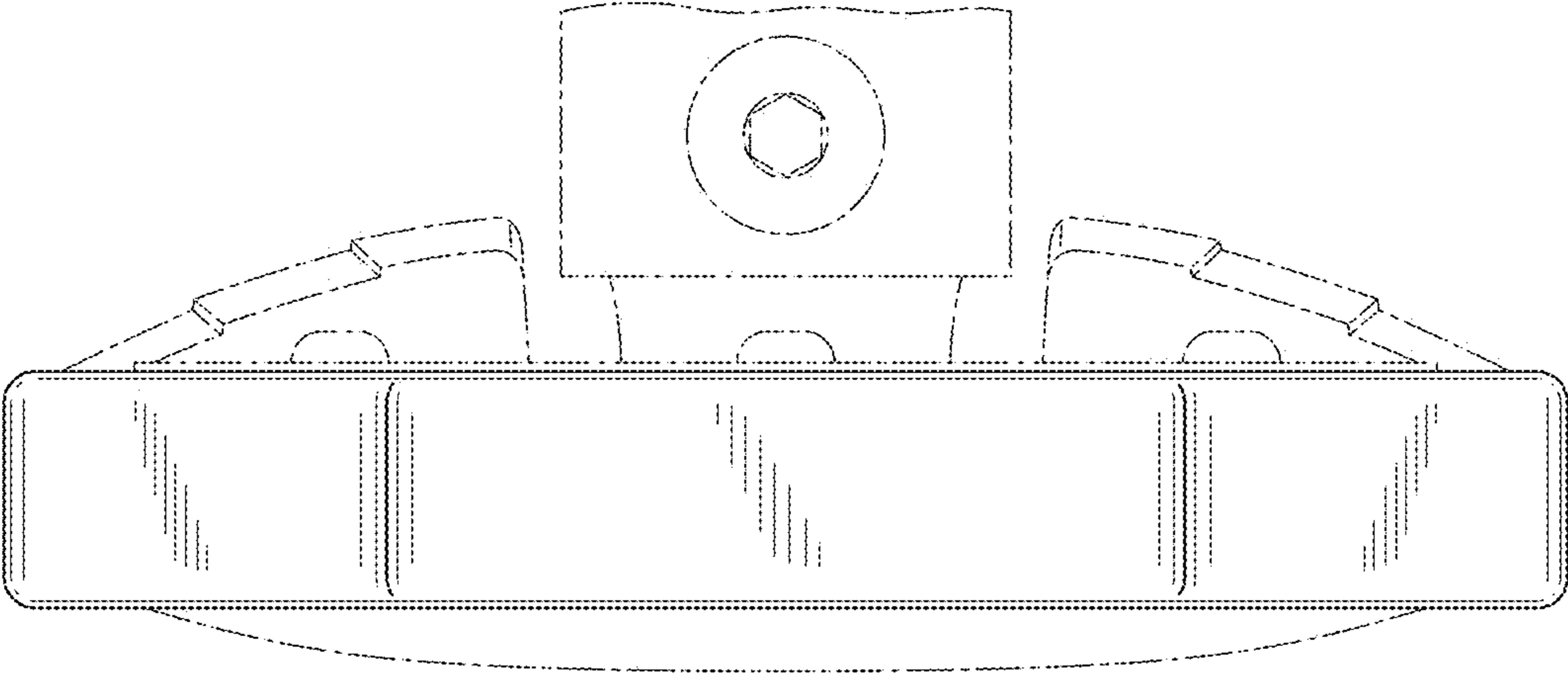


FIG. 5

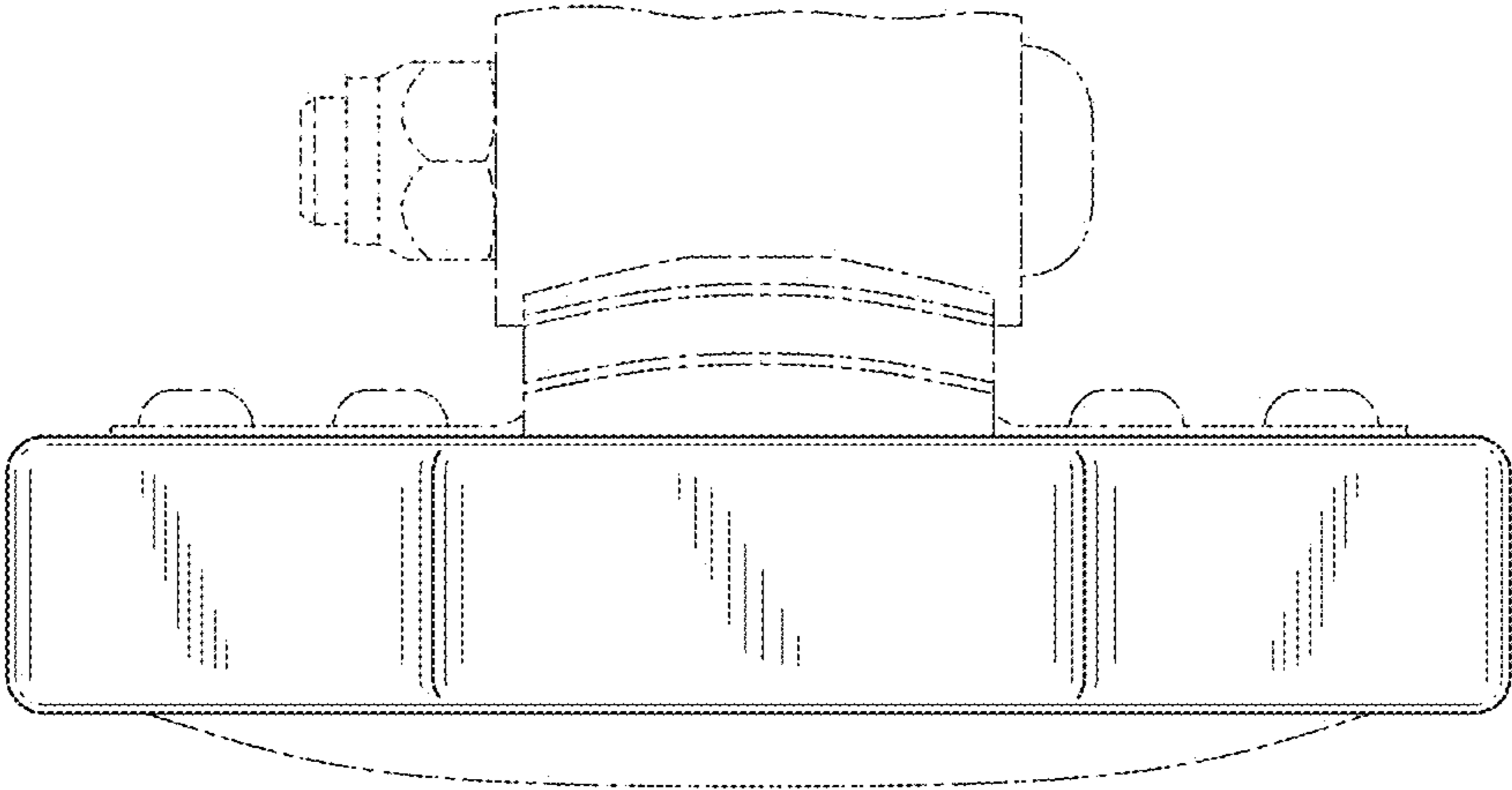


FIG. 6

