



US00D871973S

(12) **United States Design Patent**
Christensen et al.

(10) **Patent No.:** **US D871,973 S**
(45) **Date of Patent:** **** Jan. 7, 2020**

- (54) **COVER FOR A JACK ASSEMBLY**
- (71) Applicant: **Dutton-Lainson Company**, Hastings, NE (US)
- (72) Inventors: **Brad Nels Christensen**, Lincoln, NE (US); **Todd J. Yost**, Fairfield, NE (US)
- (73) Assignee: **DUTTON-LAINSON COMPANY**, Hastings, NE (US)

- 3,595,527 A * 7/1971 Douglass B60D 1/66
254/420
- 3,733,051 A * 5/1973 Bollinger B60S 9/04
254/94
- 3,851,855 A * 12/1974 Douglass B66F 3/08
254/420
- 3,921,958 A * 11/1975 Brockelsby B60D 1/66
254/420
- 3,934,852 A * 1/1976 Weber B60D 1/66
254/420

(Continued)

(**) Term: **15 Years**

(21) Appl. No.: **29/646,517**

(22) Filed: **May 4, 2018**

(51) **LOC (12) Cl.** **12-10**

(52) **U.S. Cl.**
USPC **D12/106**

(58) **Field of Classification Search**
USPC D12/159–163, 167, 169, 172, 203, 223,
D12/400–416, 100–106, 317, 19, 129,
D12/111, 112, 425, 435; 224/923, 924,
224/2.11, 42.12, 401, 412, 413, 488, 494,
224/500, 501, 519, 537; 211/100, 124, 2,
211/4; 56/DIG. 14; 150/166; 135/88.05;
280/406.2, 407, 407.1, 408, 411.1, 416.1,
280/416.2, 416.3, 418, 418.1, 433, 434,
280/435, 441.1, 441.2, 455.1, 456.1, 480,
280/493, 504, 507, 508, 47.131; 37/399;
D34/31, 35, 21–26, 12, 16–19; 254/97;
114/344; D8/300, 375; 414/559
CPC . B62D 35/02; B62D 35/00; B60P 3/10; B60P
3/1033; A62B 3/005
See application file for complete search history.

(56) **References Cited**

U.S. PATENT DOCUMENTS

- 2,383,204 A * 8/1945 Le Veque B66F 3/02
254/97
- 3,580,543 A * 5/1971 Hafeli B66F 13/00
254/100

OTHER PUBLICATIONS

DLx-P Tongue Jack—1500 lb., Dutton-Lainson.com, [online], [site visited Aug. 21, 2019]. <URL: <https://www.dutton-lainson.com/proddetail.php?prod=22335>> (Year: 2019).*

(Continued)

Primary Examiner — T Chase Nelson
Assistant Examiner — Jonathan J. Han
(74) *Attorney, Agent, or Firm* — Michael S. Hargis; King & Schickli, PLLC

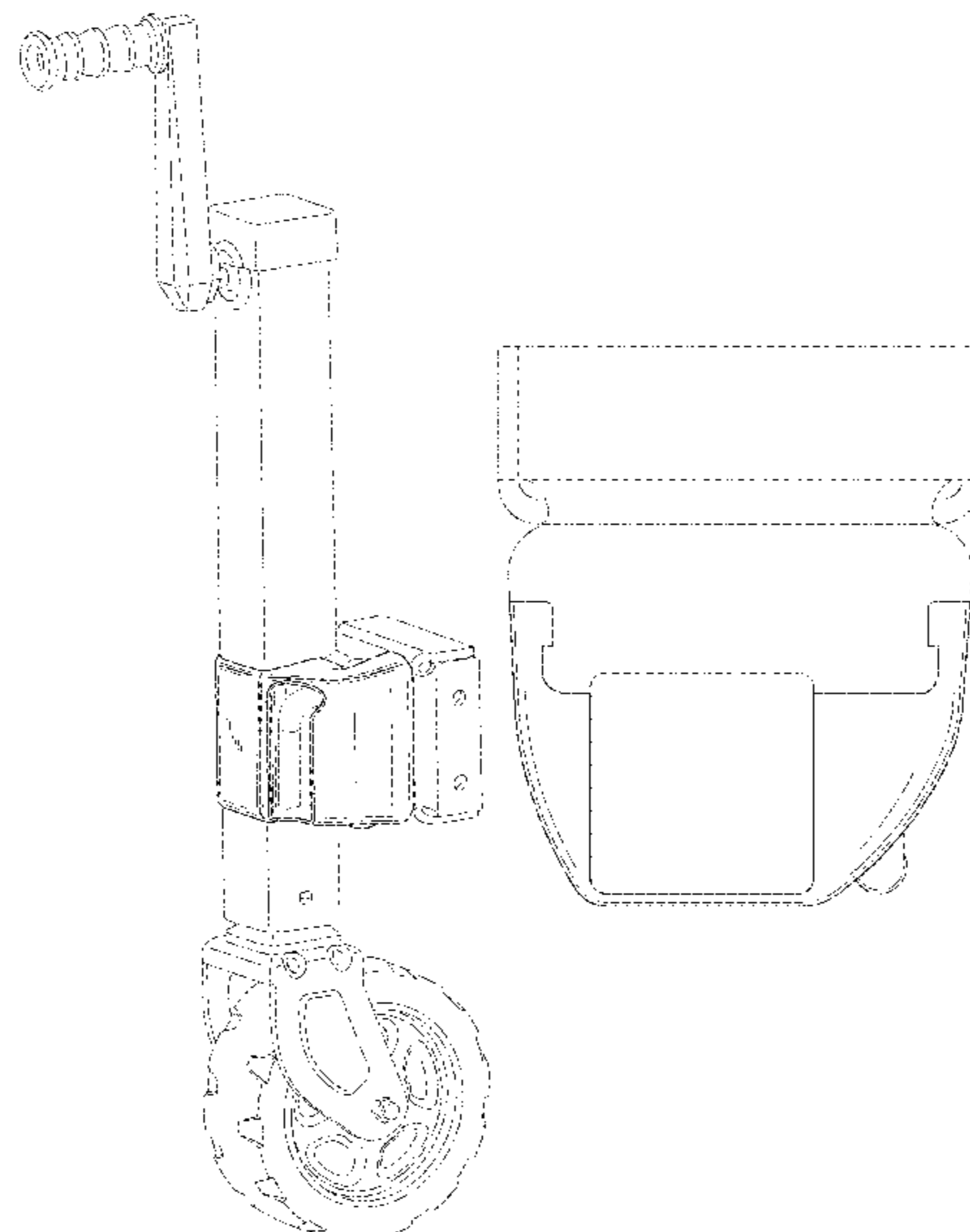
(57) **CLAIM**

The ornamental design for a cover for a jack assembly, as shown and described.

DESCRIPTION

FIG. 1 is a perspective view of a cover for a jack assembly showing our new design;
FIG. 2 is a top view thereof;
FIG. 3 is a left side view thereof;
FIG. 4 is a right side view thereof;
FIG. 5 is a bottom view thereof; and,
FIG. 6 is a rear view thereof.
The broken lines depict environment and form no part of the claimed design.

1 Claim, 6 Drawing Sheets



(56)

References Cited

U.S. PATENT DOCUMENTS

4,702,458 A * 10/1987 Kendrick B60D 1/66
254/420
D298,676 S * 11/1988 Chambers D12/106
D304,818 S * 11/1989 Chambers D12/162
D318,355 S 7/1991 Salvesen
5,067,692 A * 11/1991 Nudd B60D 1/66
254/420
D324,286 S * 2/1992 Nudd D34/31
5,282,605 A 2/1994 Sauber
6,227,428 B1 * 5/2001 Lewis B60R 11/06
224/402
6,302,381 B1 10/2001 Roll
D476,461 S * 6/2003 Dries D34/31
D501,975 S * 2/2005 Marsh D34/35
D509,039 S * 8/2005 Peschmann D34/31
D543,908 S * 6/2007 Goettker D12/162
D568,575 S 5/2008 Walstrom et al.
D570,072 S 5/2008 Walstrom et al.
D577,175 S 9/2008 Walstrom et al.
D595,922 S 7/2009 Walstrom et al.
7,621,356 B2 * 11/2009 Quarberg B60D 1/246
180/11
D639,012 S * 5/2011 Ahrenholtz D34/31
8,523,148 B2 9/2013 Beck et al.
D722,414 S * 2/2015 Lusty D34/31
D727,213 S * 4/2015 Anderson D12/106

D767,848 S * 9/2016 Wood D34/35
D780,070 S * 2/2017 Anderson D12/106
9,896,067 B2 2/2018 Okerlund et al.
9,944,138 B2 * 4/2018 Kemper B60D 1/46
9,975,525 B2 * 5/2018 Arakelian B60S 9/18
2004/0159826 A1 * 8/2004 Peschmann B60S 9/22
254/420
2009/0057633 A1 3/2009 Beck et al.
2011/0073821 A1 * 3/2011 Nirenberg B60D 1/66
254/420
2014/0367626 A1 * 12/2014 Okerlund B60S 9/18
254/420
2015/0197220 A1 * 7/2015 Lusty B60S 9/08
254/420
2018/0264901 A1 * 9/2018 Downs B60D 1/665

OTHER PUBLICATIONS

DLx Tongue Jack—1500 lb., Dutton-Lainson.com, [online], [site visited Aug. 21, 2019]. <URL: <https://www.dutton-lainson.com/proddetail.php?prod=22210>> (Year: 2019).
Trailer Swivel Jack, 1000 Lbs., Grainger.com, [online], [site visited Aug. 21, 2019]. <URL: https://www.grainger.com/product/6ZAT0?gclid=EAlalQobChMlyd7L8dU5AIVzGSGCh1cwQYNEAQYBiABEgl6a_D_BwE&cm_mmc=PPC:+Google+PLA&ef_id=EAlalQobChMlyd7L8d-U5AIVzGSGCh1c> (Year: 2019).*

* cited by examiner

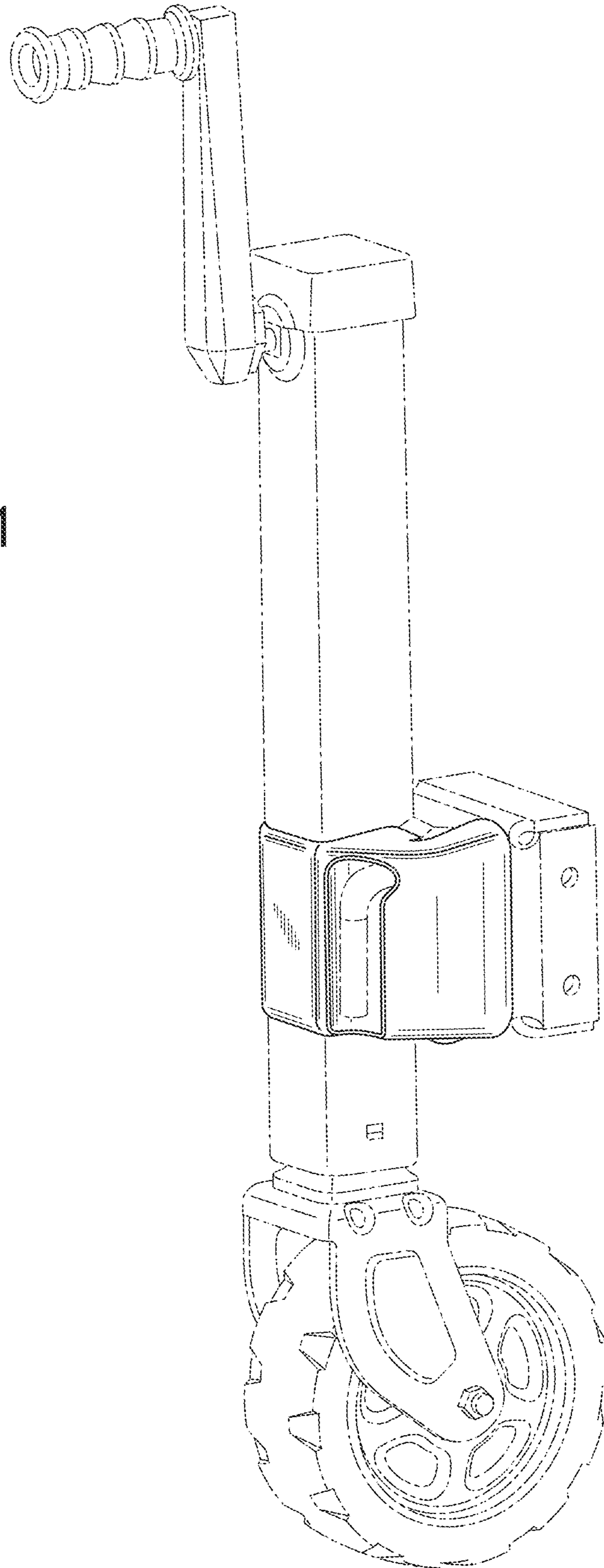


FIG. 1

FIG. 2

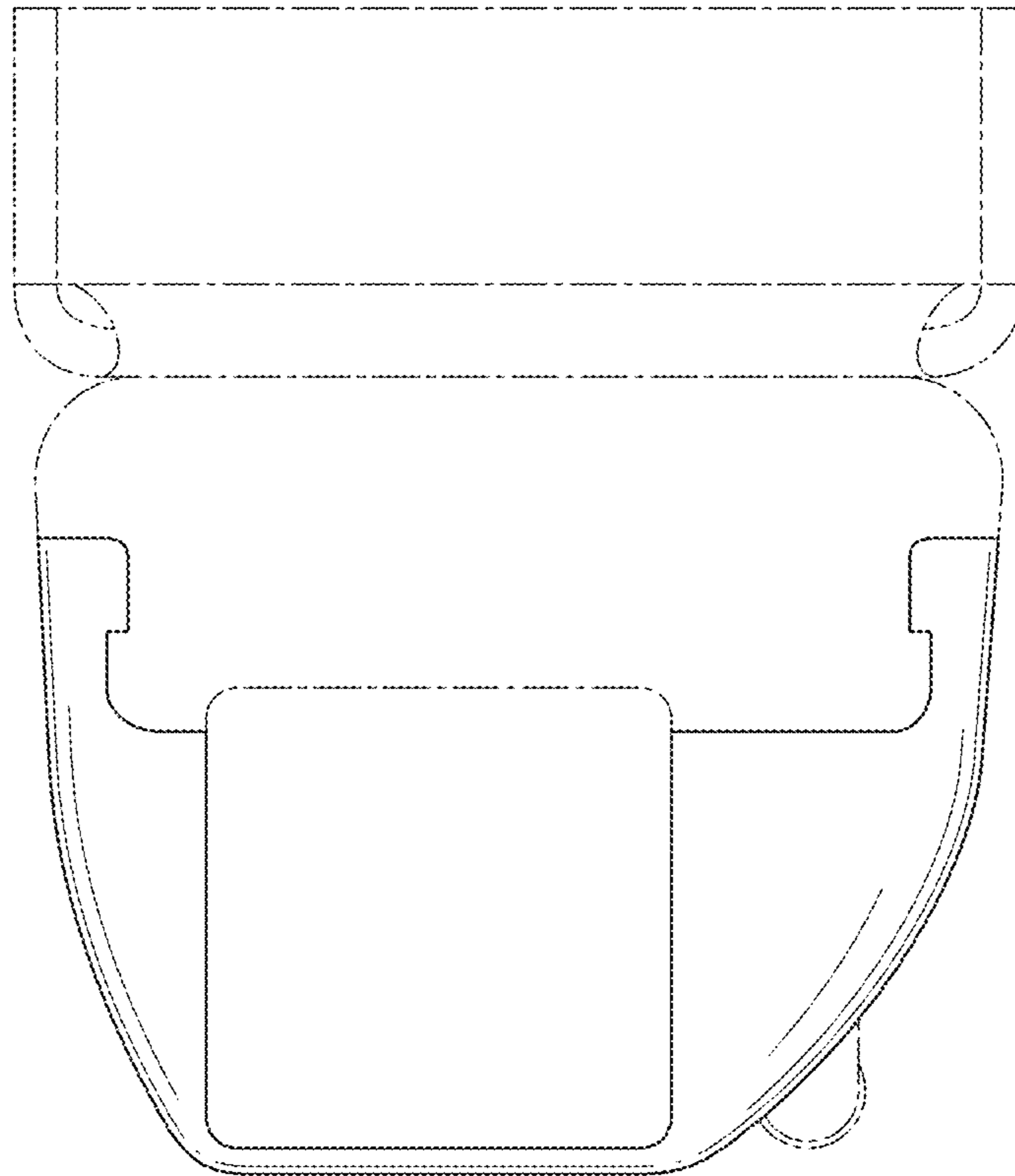


FIG. 3

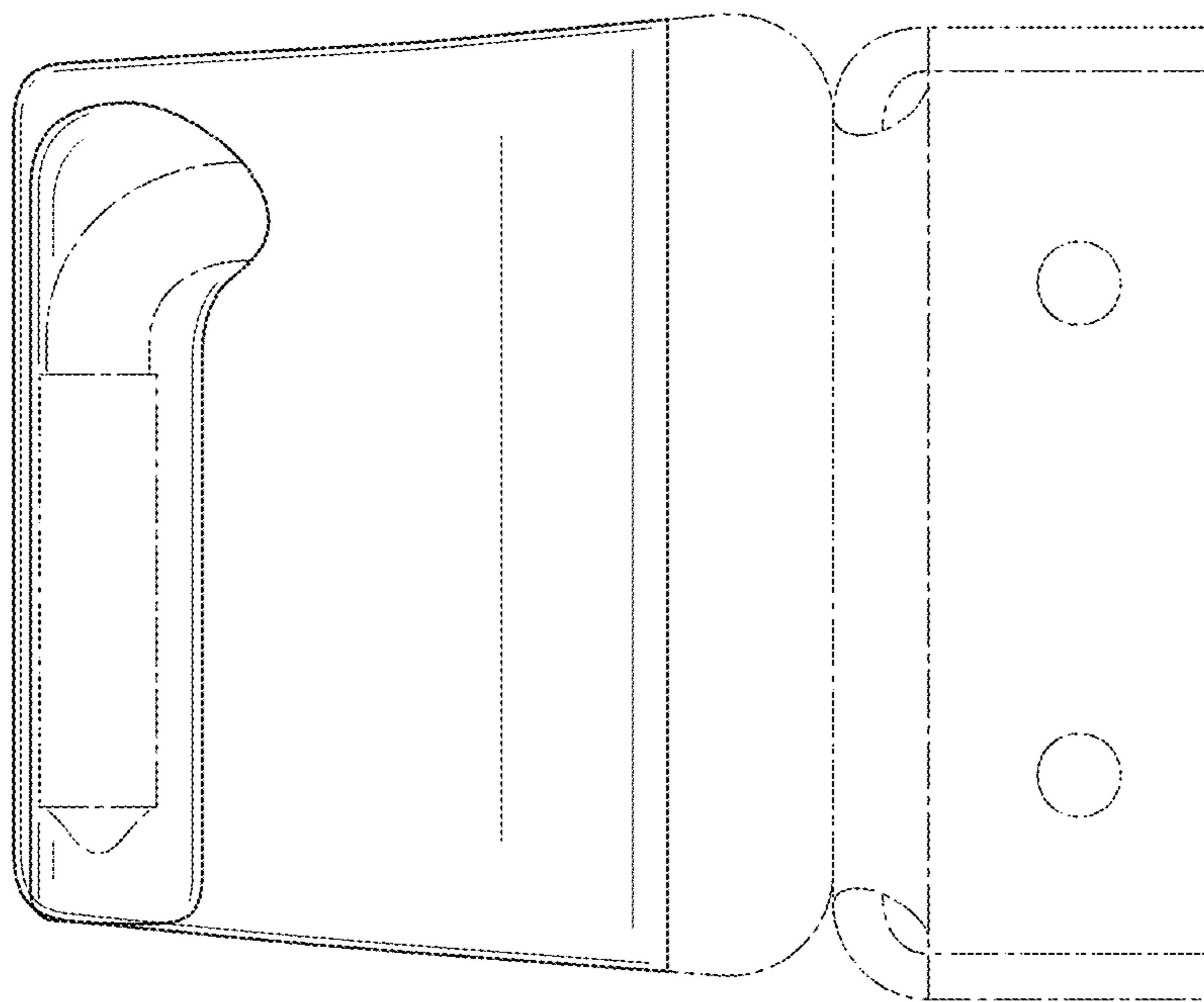


FIG. 4

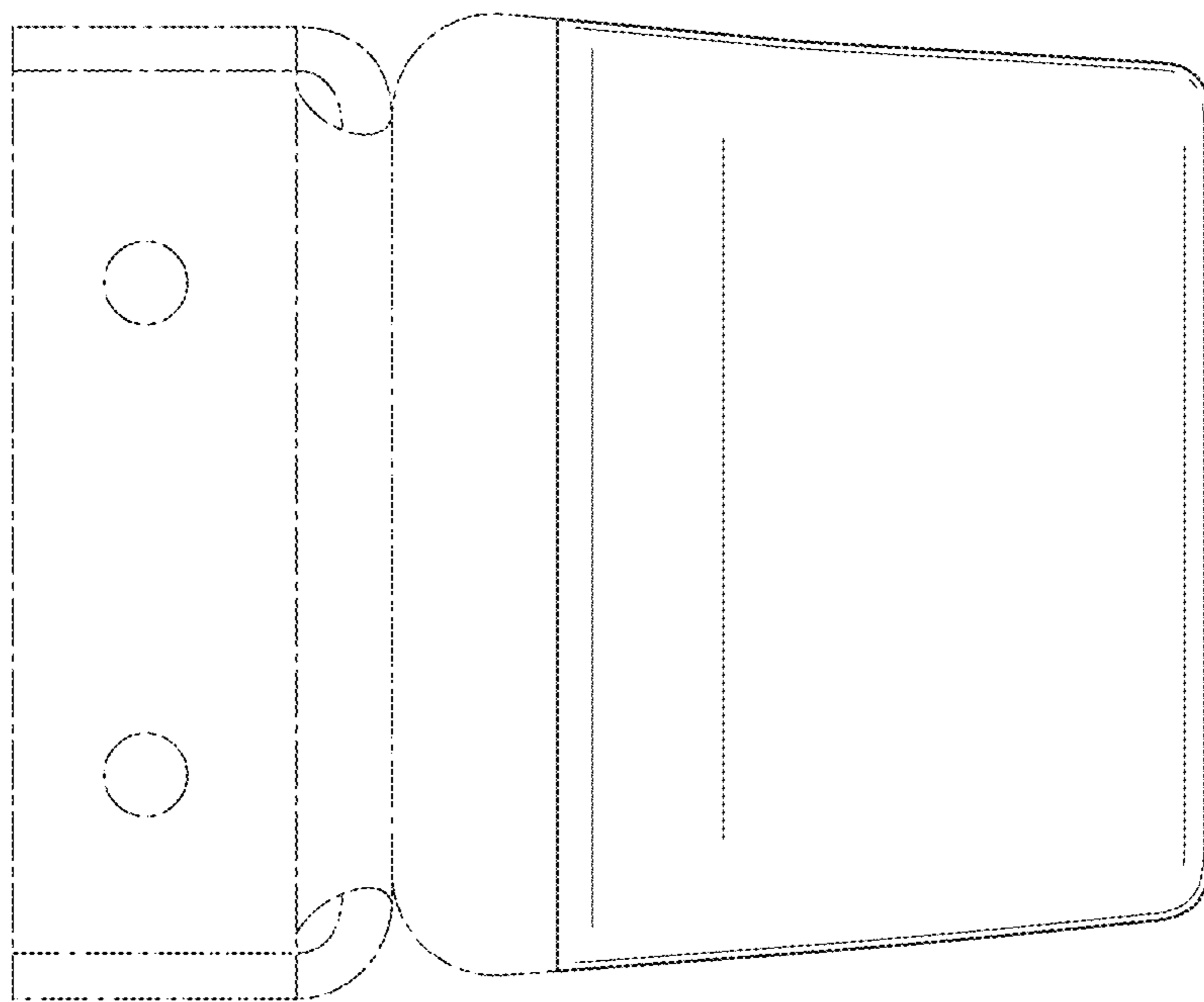


FIG. 5

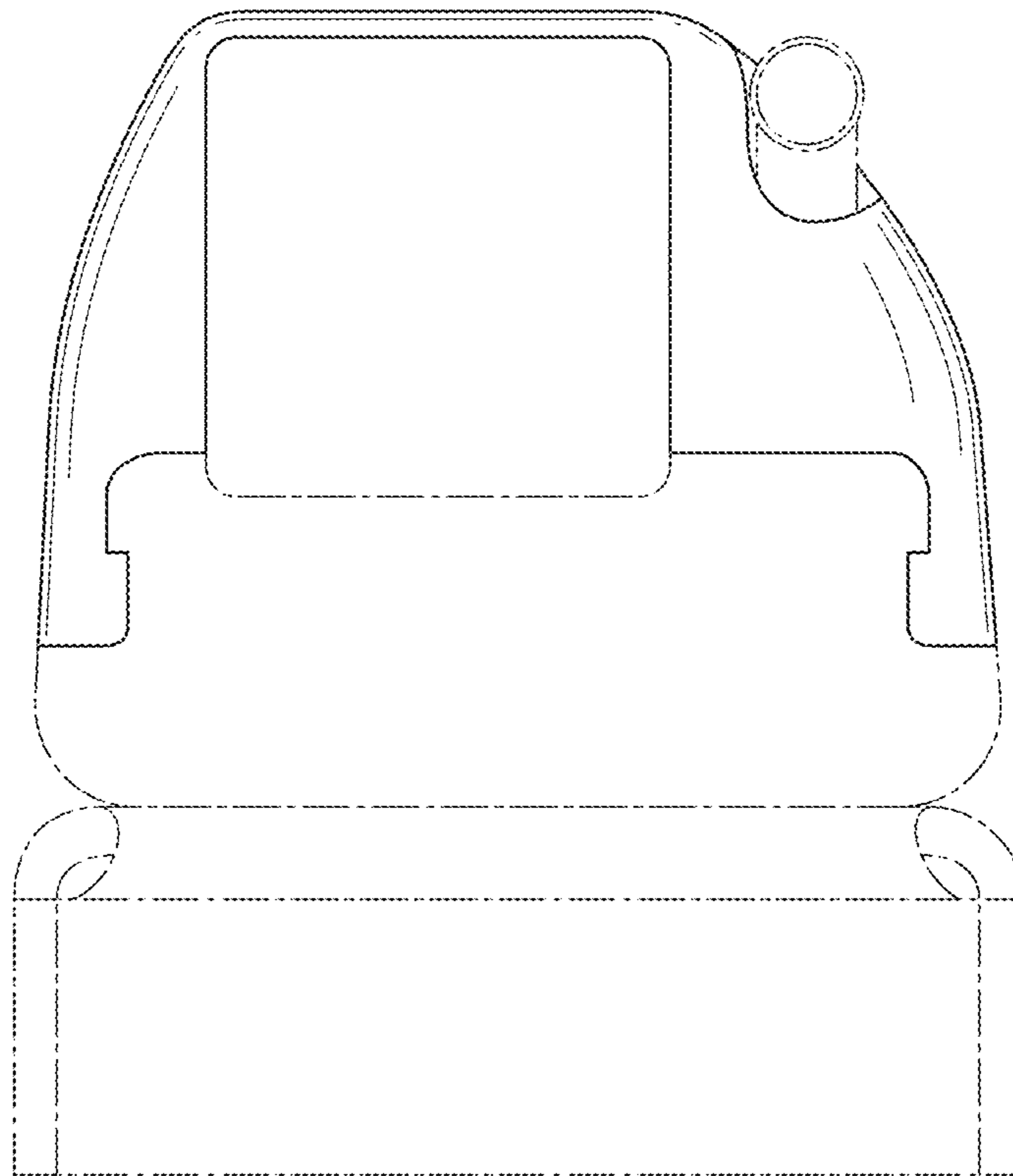


FIG. 6

