



US00D871970S

(12) **United States Design Patent**
Kusunoki et al.

(10) **Patent No.:** **US D871,970 S**
(45) **Date of Patent:** **** Jan. 7, 2020**

(54) **AUTOMOBILE AND/OR TOY REPLICA THEREOF**

(71) Applicant: **Nissan Motor Co., Ltd.**, Yokohama, Kanagawa (JP)

(72) Inventors: **Tepei Kusunoki**, Kanagawa (JP);
Takashi Utsunomiya, Kanagawa (JP);
Kenneth Lee, Kanagawa (JP)

(73) Assignee: **Nissan Motor Co., Ltd.**, Yokohama (JP)

(**) Term: **15 Years**

(21) Appl. No.: **29/663,208**

(22) Filed: **Sep. 13, 2018**

(30) **Foreign Application Priority Data**

Mar. 15, 2018 (JP) 2018-005519

(51) **LOC (12) Cl.** **12-08**

(52) **U.S. Cl.**
USPC **D12/92**

(58) **Field of Classification Search**
USPC D12/86, 90-92; D21/424, 433, 434, 533;
296/181.1-181.5, 183.1
CPC B62D 25/00; B62D 25/06; B62D 33/00;
B62D 35/00
See application file for complete search history.

(56) **References Cited**

U.S. PATENT DOCUMENTS

D565,468 S * 4/2008 Abe D12/92
D646,205 S * 10/2011 Bittner D12/92

D668,182 S * 10/2012 Barba Franco D12/92
D683,269 S * 5/2013 Fuchigami D12/92
D684,900 S * 6/2013 Doyle D12/92
D686,536 S * 7/2013 McCabe D12/92
D695,645 S * 12/2013 Tase D12/91
D699,630 S * 2/2014 Abe D12/92
D710,761 S * 8/2014 Endo D12/92
D718,662 S * 12/2014 Ishizuka D12/92
D773,341 S * 12/2016 Liu D12/92
D799,379 S * 10/2017 Komuro D12/92

* cited by examiner

Primary Examiner — Melody N Brown

(74) *Attorney, Agent, or Firm* — Global IP Counselors, LLP

(57) **CLAIM**

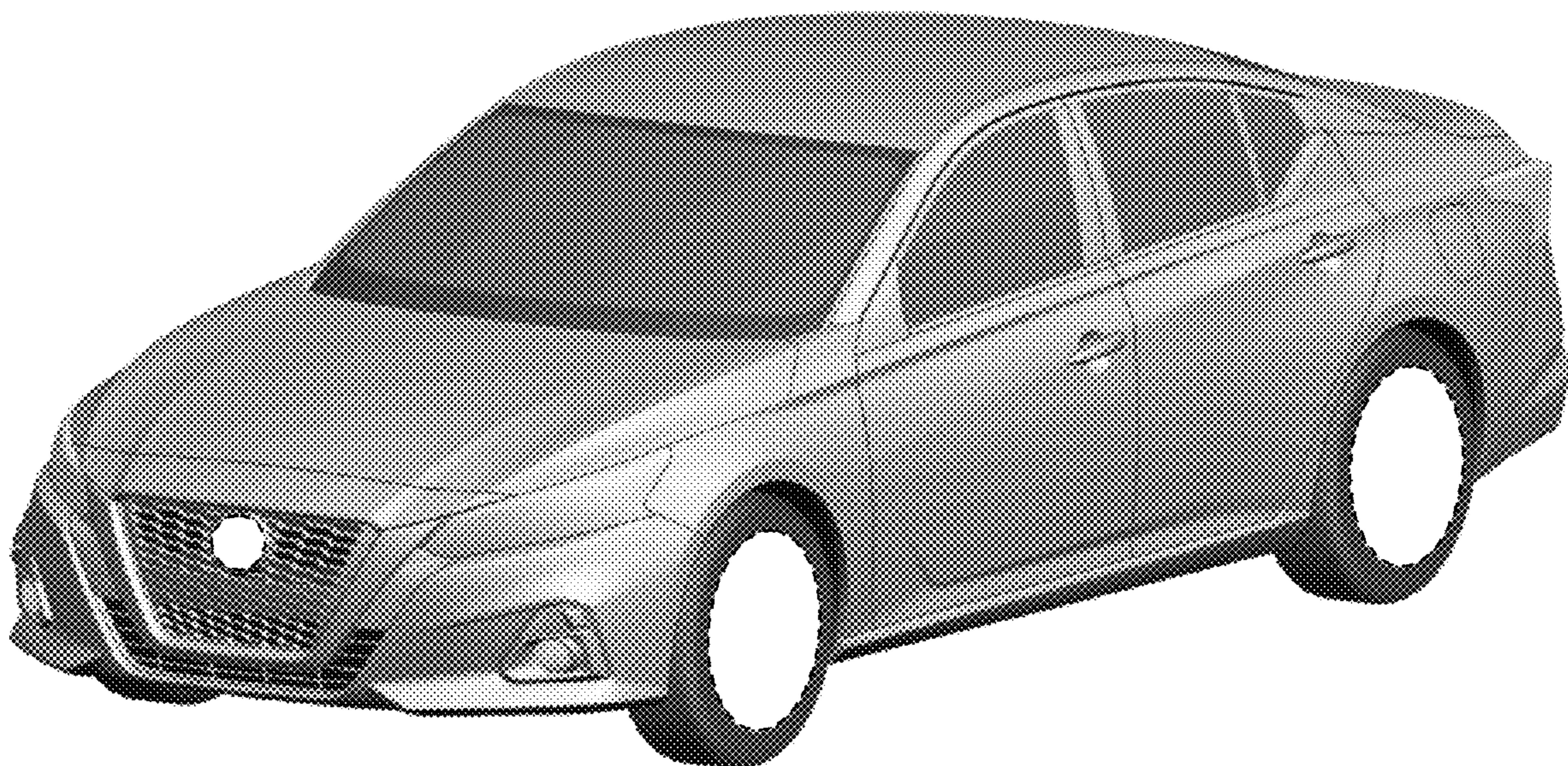
The ornamental design for an automobile and/or toy replica thereof, as shown and described.

DESCRIPTION

FIG. 1 is a front elevational view of an automobile and/or toy replica thereof showing our new design;
FIG. 2 is a top plan view thereof;
FIG. 3 is a left side elevational view thereof;
FIG. 4 is a right side elevational view thereof;
FIG. 5 is a left, front perspective view thereof;
FIG. 6 is a right, rear perspective view thereof; and,
FIG. 7 is a rear elevational view thereof.

The hidden surfaces from the bottom, obscured by a rear bumper, the wheels, and inside the wheel wells, but visible in the figures form no part of the claimed design. The broken line showing on the automobile and/or toy replica thereof is for the purpose of illustrating environmental structure and forms no part of the claimed design.

1 Claim, 7 Drawing Sheets



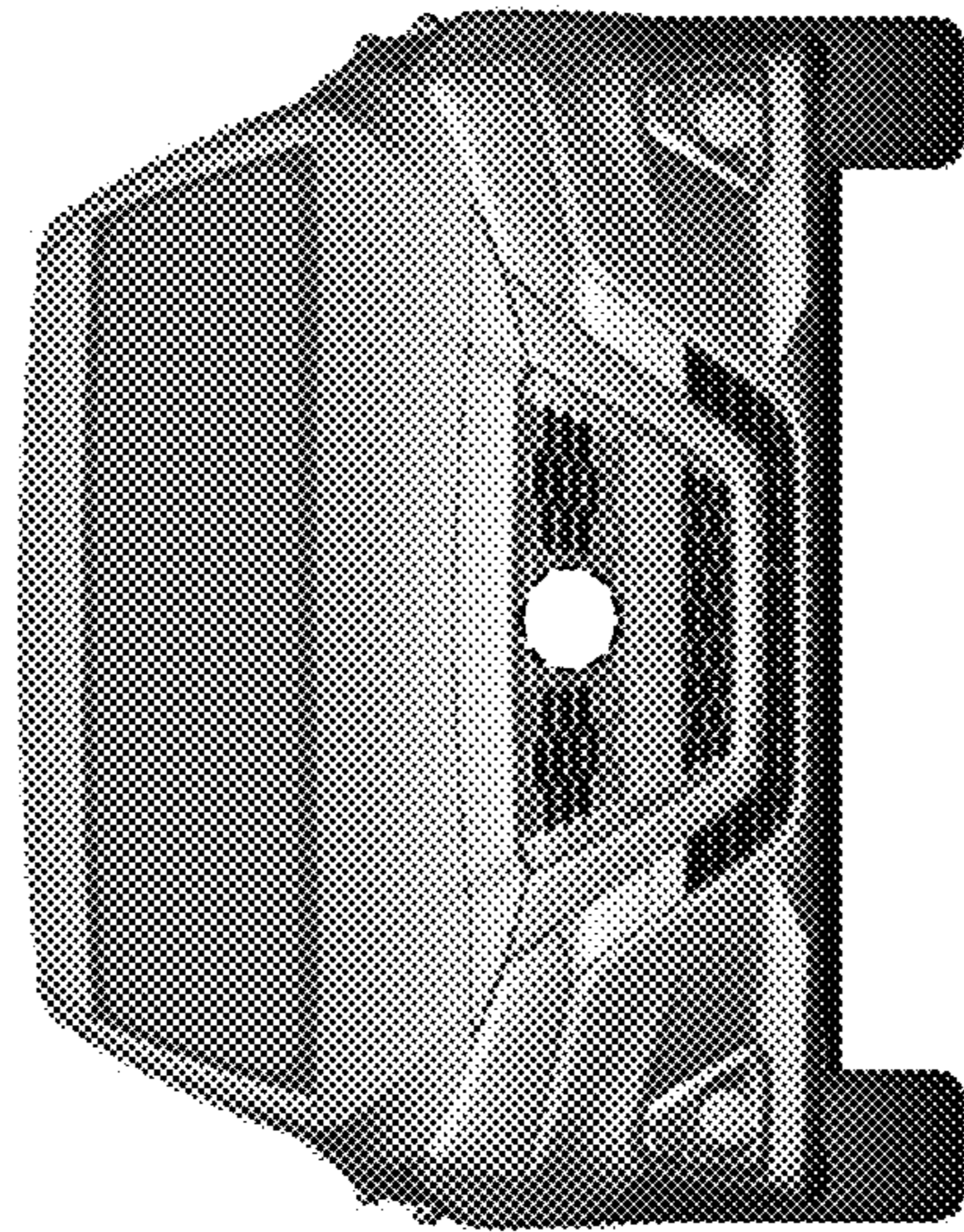


FIG. 1

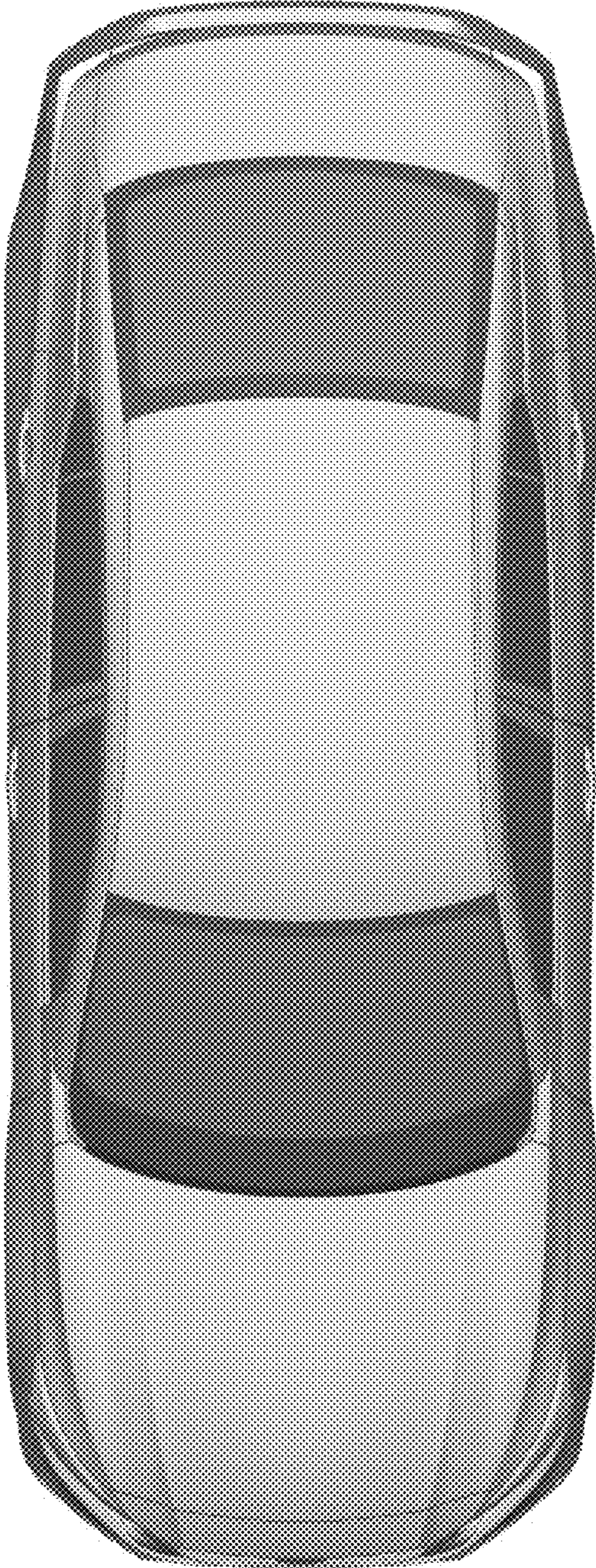


FIG. 2

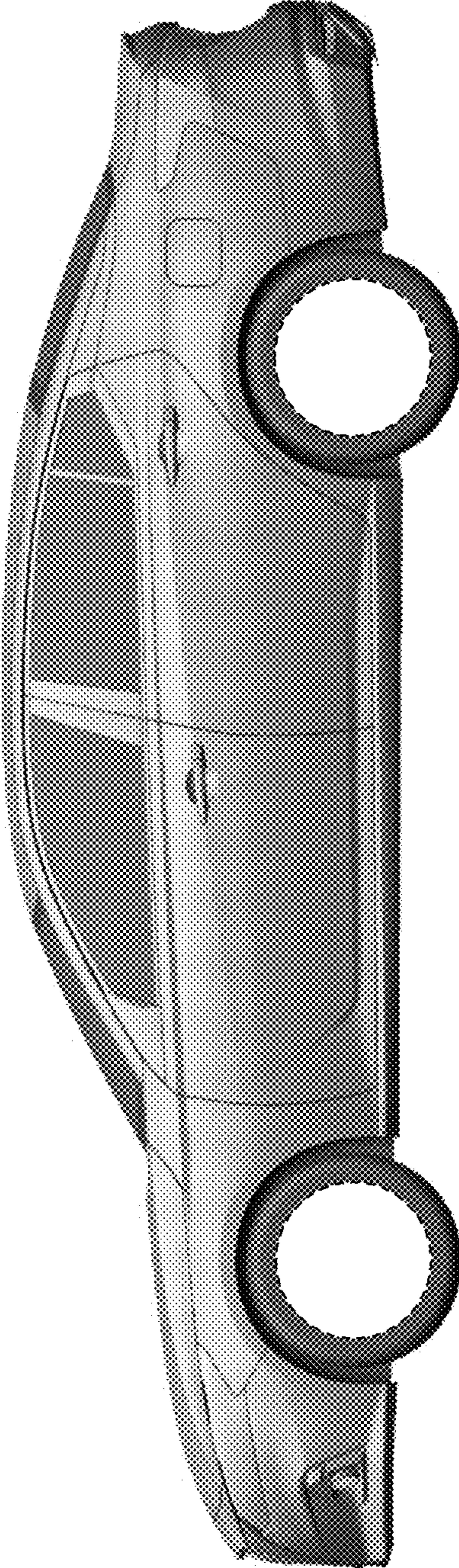


FIG. 3

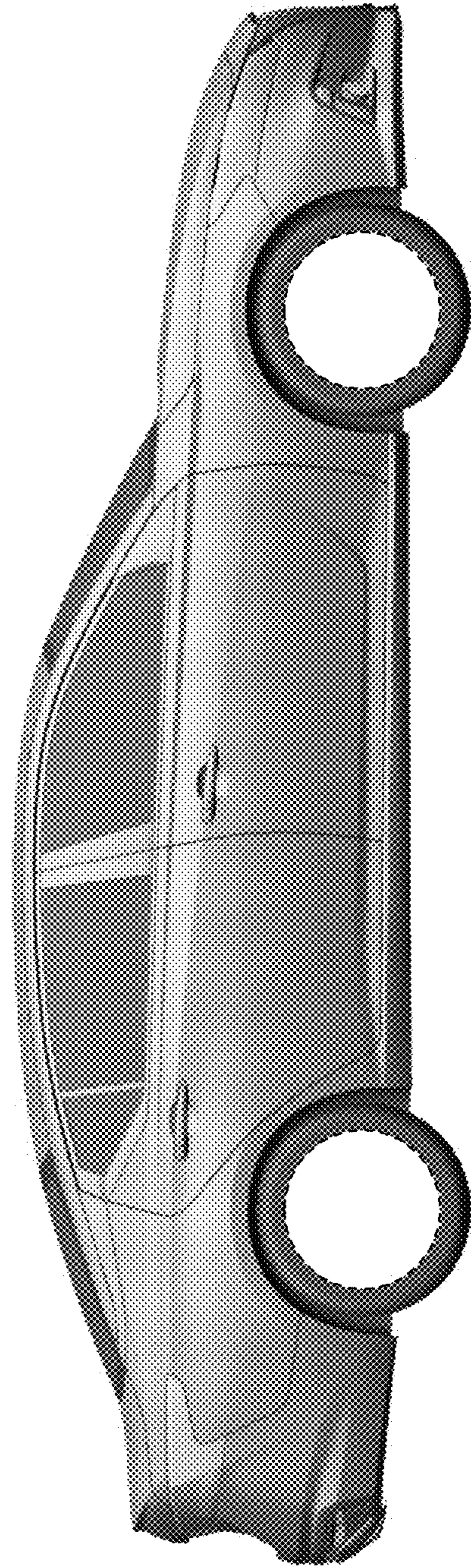


FIG. 4

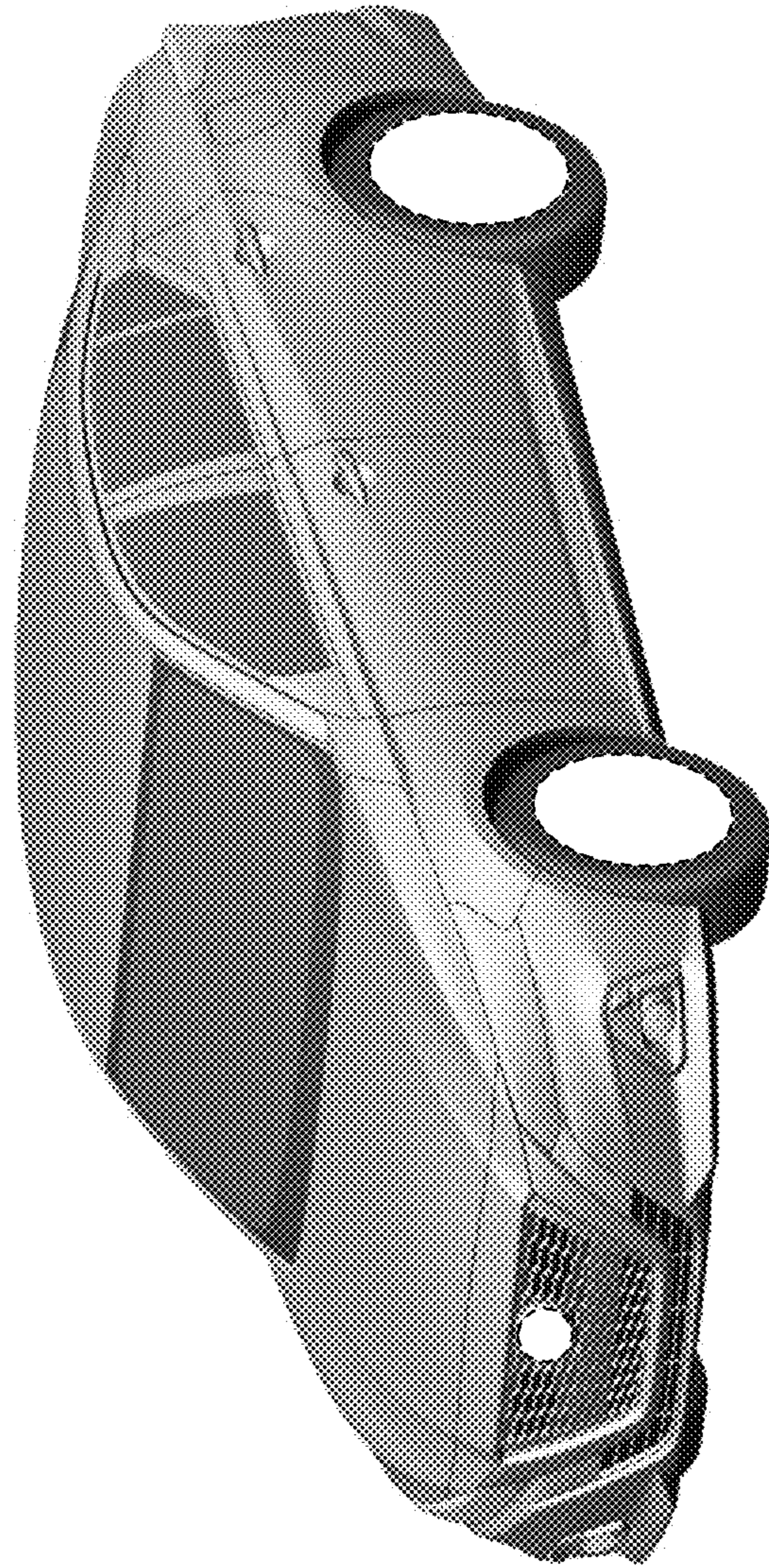


FIG. 5

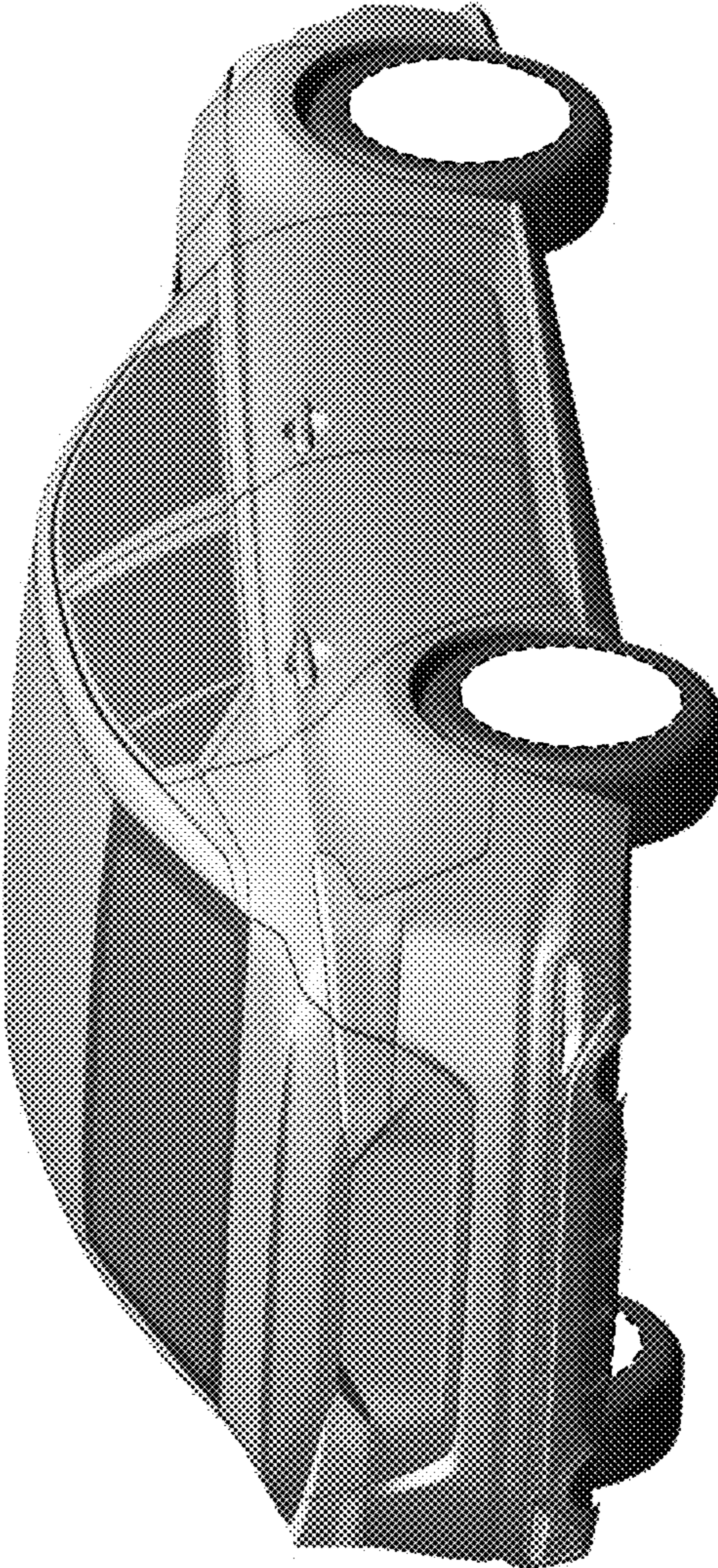


FIG. 6

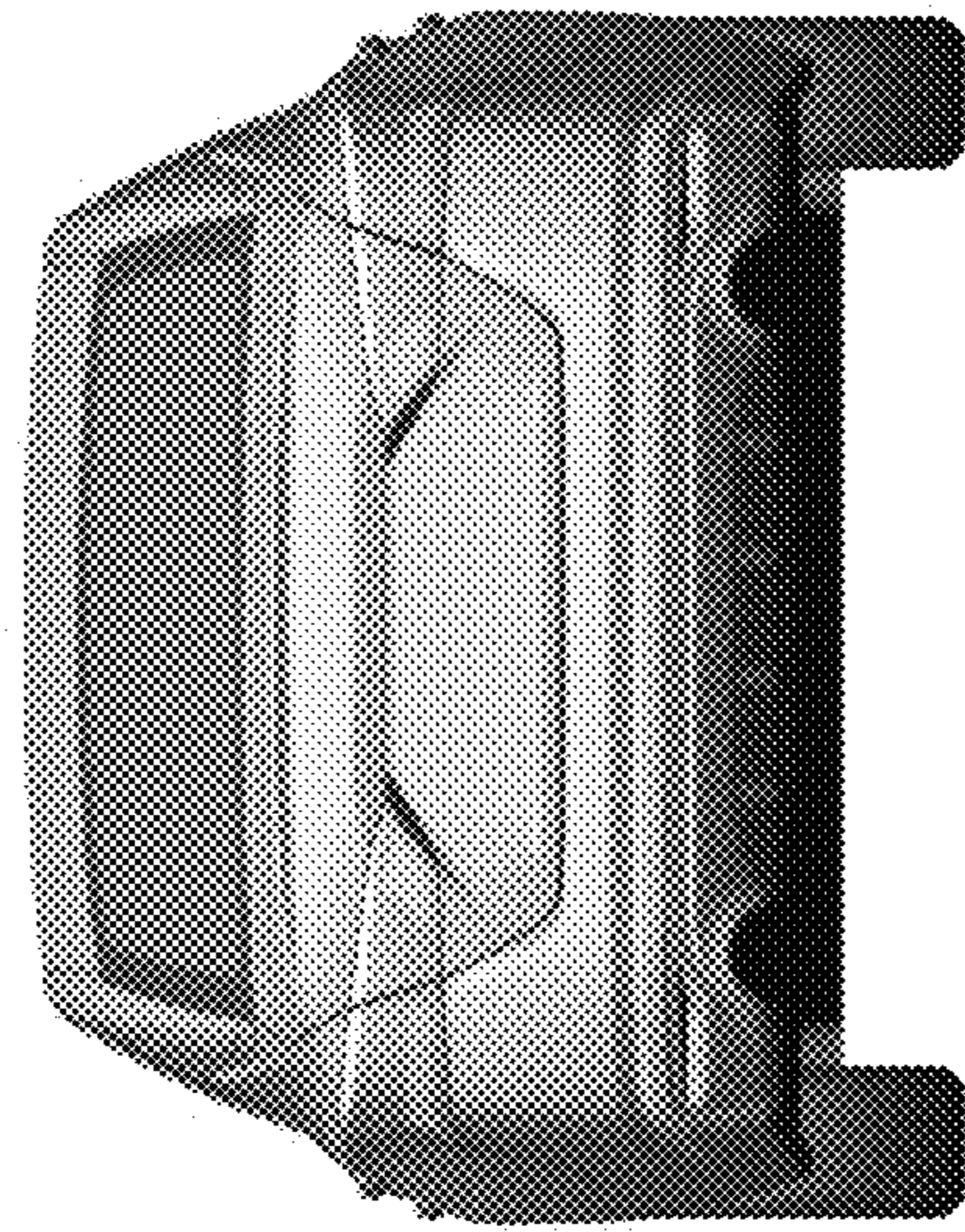


FIG. 7