



US00D871966S

(12) **United States Design Patent** (10) **Patent No.:** **US D871,966 S**
Héroux et al. (45) **Date of Patent:** **** Jan. 7, 2020**

(54) **BUS**
(71) Applicant: **Volvo Group Canada Inc.,**
Sainte-Claire (CA)
(72) Inventors: **Christian Héroux,** Saint-Constant
(CA); **François Trépanier,** Québec
(CA); **Luc Bourgeois,** Laval (CA)
(73) Assignee: **Volvo Group Canada Inc.,**
Sainte-Claire, Quebec (CA)
(**) Term: **15 Years**
(21) Appl. No.: **29/654,762**
(22) Filed: **Jun. 27, 2018**
(51) **LOC (12) Cl.** **12-08**
(52) **U.S. Cl.**
USPC **D12/84**
(58) **Field of Classification Search**
USPC D12/84, 82, 86, 92, 100
CPC B62D 31/02; B62D 31/04; B62D 33/0612;
B62D 47/02; B60R 2021/0067
See application file for complete search history.

D776,839 S 1/2017 Trépanier et al.
D780,630 S * 3/2017 Frykholm D12/84
D786,736 S * 5/2017 Besson D12/84
D789,249 S * 6/2017 Iparraguirre D12/84
D811,937 S * 3/2018 Lenz D12/84
D811,938 S * 3/2018 Lenz D12/84
D816,549 S * 5/2018 Iparraguirre D12/84

OTHER PUBLICATIONS

Renderings of Prevost commercialize vehicle, H-Series H3-45 VIP and Coach, Disclosed at UMA EXPO, Tampa, FL, 2011, 2 Pages.
Renderings of Prevost commercialize vehicle, X-Series X3-45 VIP Entertainer, VIP Motorhome, Commuter and Coach, Disclosed at UMA Expo, Atlanta, GA 2016, 4 Pages.
Volvo D13 SCR: Image of MTA New York City Bus 2014 Prevost x3-45 2490, posted to Flickr by Shane Ramkissoon on Apr. 11, 2014, 1 page.

* cited by examiner

Primary Examiner — Michelle E. Wilson
Assistant Examiner — Clese Moore, Jr.
(74) *Attorney, Agent, or Firm* — Tucker Ellis LLP

(57) **CLAIM**

The ornamental design for a bus, as shown and described.

DESCRIPTION

FIG. 1 is a front-right perspective view of a bus showing our new design;
FIG. 2 is rear-left perspective view thereof;
FIG. 3 is a front view thereof, shown in enlarged scale;
FIG. 4 is a rear view thereof;
FIG. 5 is a left side view thereof, shown in reduced scale relative to the front and rear views;
FIG. 6 is a right side view thereof; and,
FIG. 7 is a top view thereof.

1 Claim, 7 Drawing Sheets

(56) **References Cited**

U.S. PATENT DOCUMENTS

D305,623 S * 1/1990 Gallitzendoerfer D12/84
D345,120 S * 3/1994 Normand, Jr. D12/84
D376,562 S * 12/1996 Sealy D12/84
D442,888 S * 5/2001 Papke D12/84
D503,126 S * 3/2005 Papke D12/84
D617,236 S * 6/2010 Counts D12/84
D628,937 S * 12/2010 Lian D12/84
D704,595 S * 5/2014 Streicher D12/84
D718,659 S * 12/2014 Lin D12/84
D721,297 S * 1/2015 Zhang D12/84
D721,298 S * 1/2015 Li D12/84
D774,943 S * 12/2016 Kovos D12/84





FIG. 1



FIG. 2

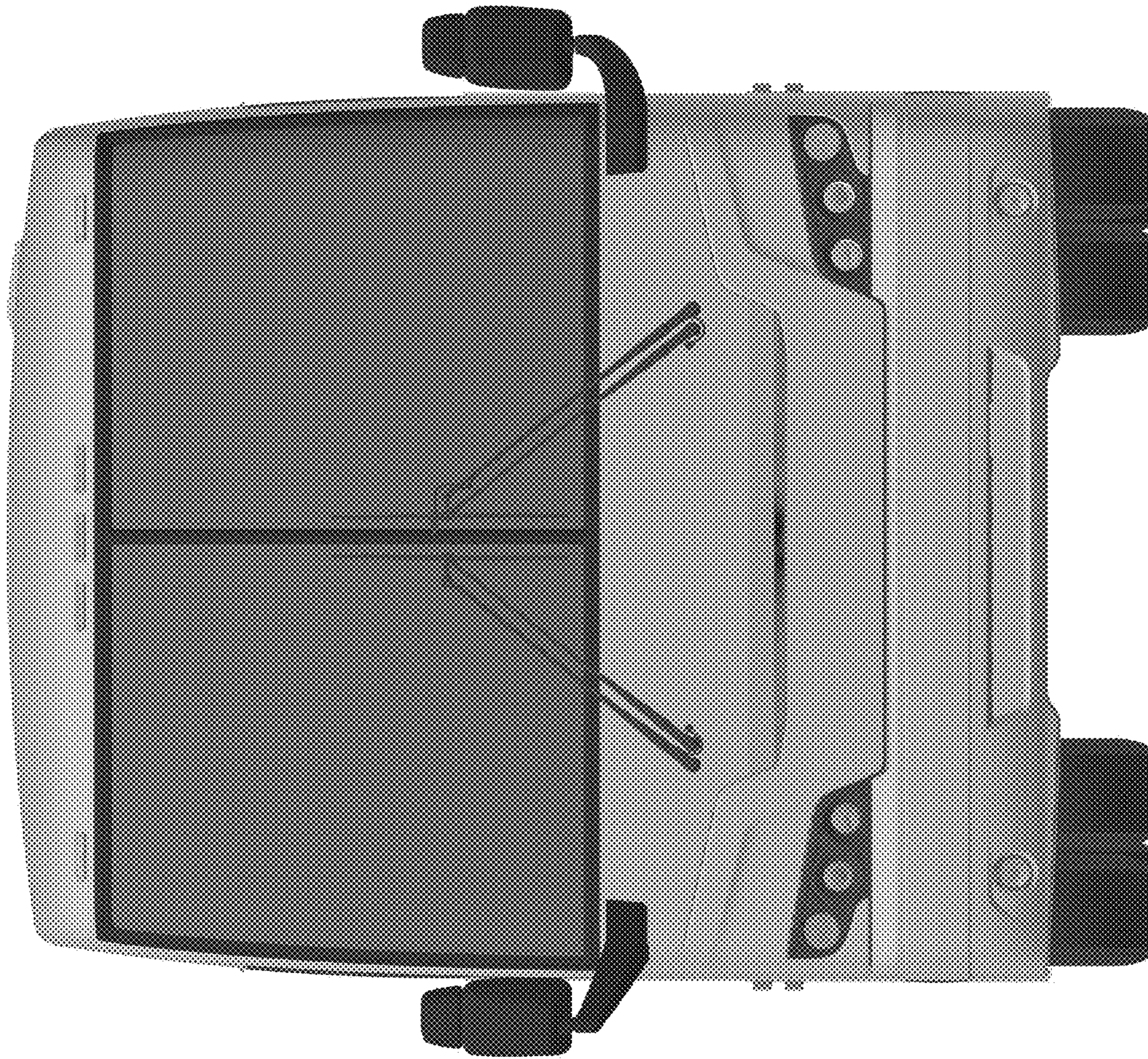


FIG. 3

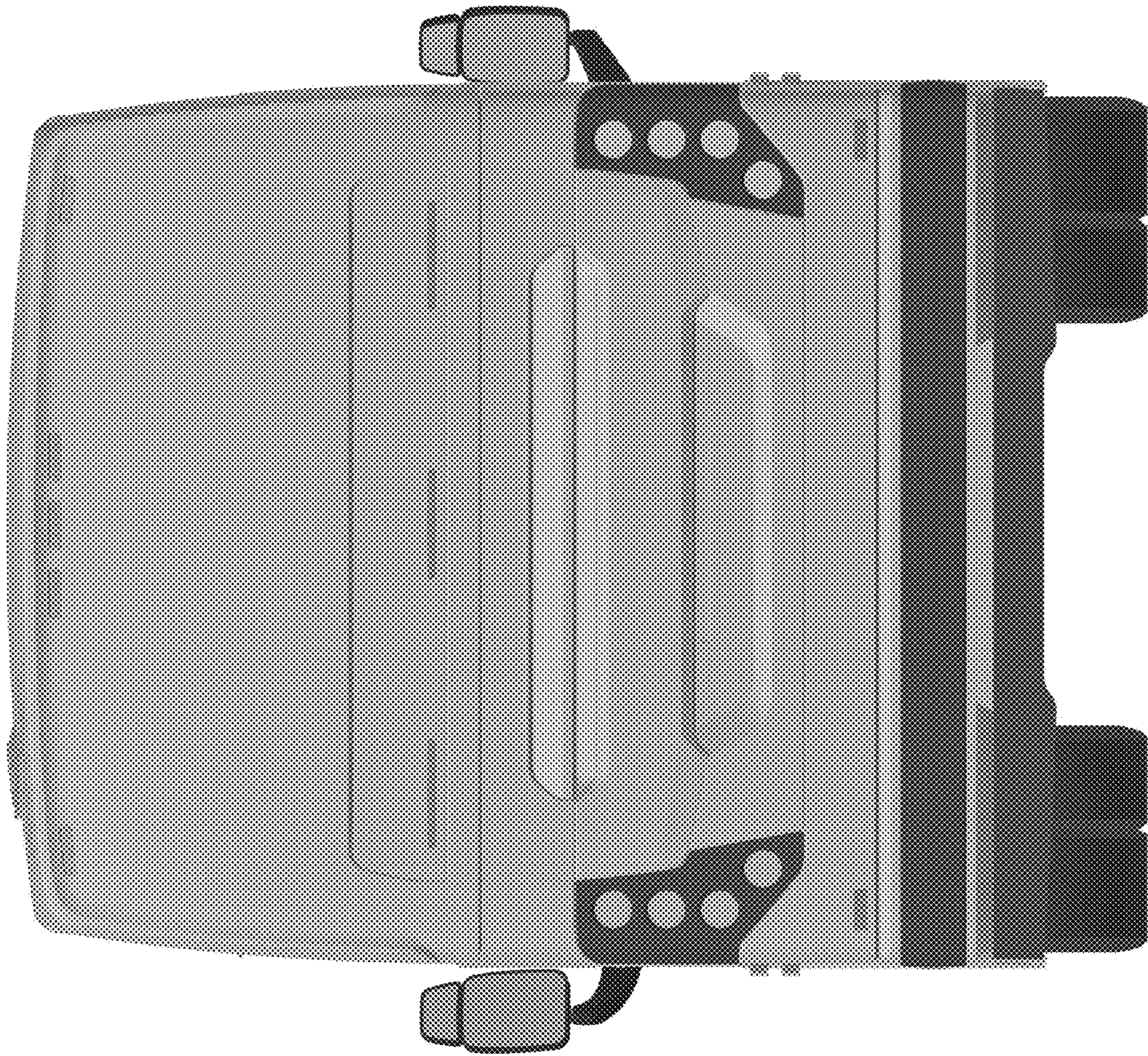


FIG. 4

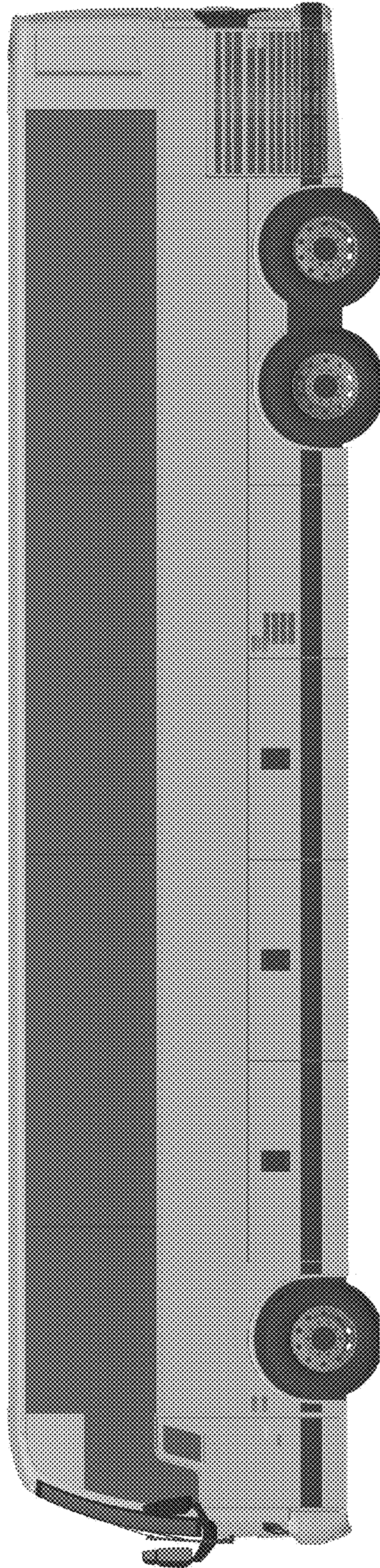


FIG. 5

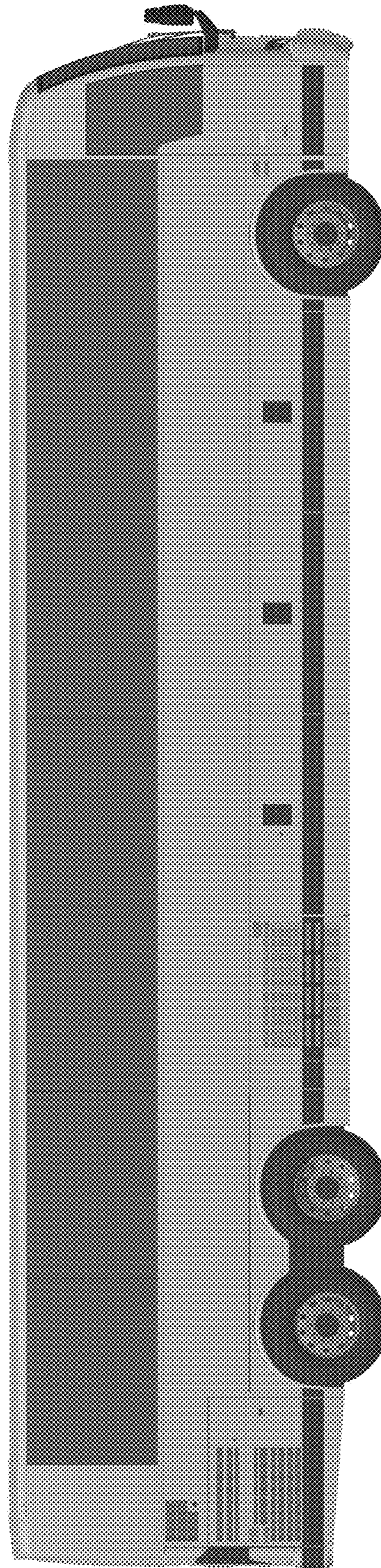


FIG. 6



FIG. 7