



US00D871965S

(12) **United States Design Patent**  
**Cao**

(10) **Patent No.:** **US D871,965 S**  
(45) **Date of Patent:** **\*\* Jan. 7, 2020**

(54) **HOVERBOARD**

(71) Applicant: **Zhejiang Taotao Vehicles Co., Ltd.**,  
Lishui, Zhejiang Province (CN)

(72) Inventor: **Matao Cao**, Yongkang (CN)

(73) Assignee: **ZHEJIANG TAOTAO VEHICLES**  
**CO., LTD.**, Lishui, Zhejiang Province  
(CN)

(\*\*) Term: **15 Years**

(21) Appl. No.: **29/666,794**

(22) Filed: **Oct. 16, 2018**

(30) **Foreign Application Priority Data**

May 31, 2018 (CN) ..... 2018 3 0268853

(51) **LOC (12) Cl.** ..... **12-14**

(52) **U.S. Cl.**  
USPC ..... **D12/1; D21/760**

(58) **Field of Classification Search**  
USPC ..... D12/1, 107; D21/419, 763, 421, 423,  
D21/426, 760, 765, 766, 769, 771, 776,  
D21/803

CPC ..... A63C 17/01; A63C 17/12; A63C 2203/00;  
A63C 2203/01; A63C 2203/012; A63C  
2203/013; A63C 2203/40; A63C 2203/52;  
A63C 17/0033; A63C 17/016; A63C  
17/08; B62D 51/02; B62D 51/001; B62D  
61/00; B62D 37/00; B62K 2202/00;  
B62K 2207/00; B62K 2207/02; B62K  
2207/04; B62K 3/007; B62K 17/00;  
B62K 11/007; B60N 2/002; B60G 17/019

See application file for complete search history.

(56) **References Cited**

**U.S. PATENT DOCUMENTS**

D778,782 S \* 2/2017 Chen ..... D12/1  
D780,626 S \* 3/2017 Li ..... D12/1

D783,751 S \* 4/2017 Yao ..... D21/760  
D785,113 S \* 4/2017 Ying ..... D21/760  
D785,736 S \* 5/2017 Ying ..... D21/760  
D786,130 S \* 5/2017 Huang ..... D12/1  
D786,995 S \* 5/2017 Ying ..... D21/760  
D803,722 S \* 11/2017 Ying ..... D12/1  
D805,429 S \* 12/2017 Cao ..... D12/1  
D808,300 S \* 1/2018 Cao ..... D12/1  
D808,856 S \* 1/2018 Zhang ..... D12/1  
D808,857 S \* 1/2018 Zhang ..... D12/1  
D810,618 S \* 2/2018 Li ..... D12/1  
D817,811 S \* 5/2018 Wang ..... D12/1  
D837,322 S \* 1/2019 Desberg ..... D21/760  
D840,872 S \* 2/2019 Desberg ..... D12/1  
D850,326 S \* 6/2019 Ying ..... D12/1  
D852,891 S \* 7/2019 Yao ..... D21/423  
D853,494 S \* 7/2019 Li ..... D21/763  
2018/0127048 A1 \* 5/2018 Li ..... B62K 11/007  
2019/0023344 A1 \* 1/2019 Shang ..... B62K 11/007

\* cited by examiner

*Primary Examiner* — T Chase Nelson

*Assistant Examiner* — Ania Aman

(74) *Attorney, Agent, or Firm* — Locke Lord LLP; Tim  
Tingkang Xia, Esq.

(57) **CLAIM**

The ornamental design for a hoverboard, as shown and  
described.

**DESCRIPTION**

FIG. 1 is a first perspective view of a hoverboard according  
to my new design;

FIG. 2 is a front elevation view thereof;

FIG. 3 is a rear elevation view thereof;

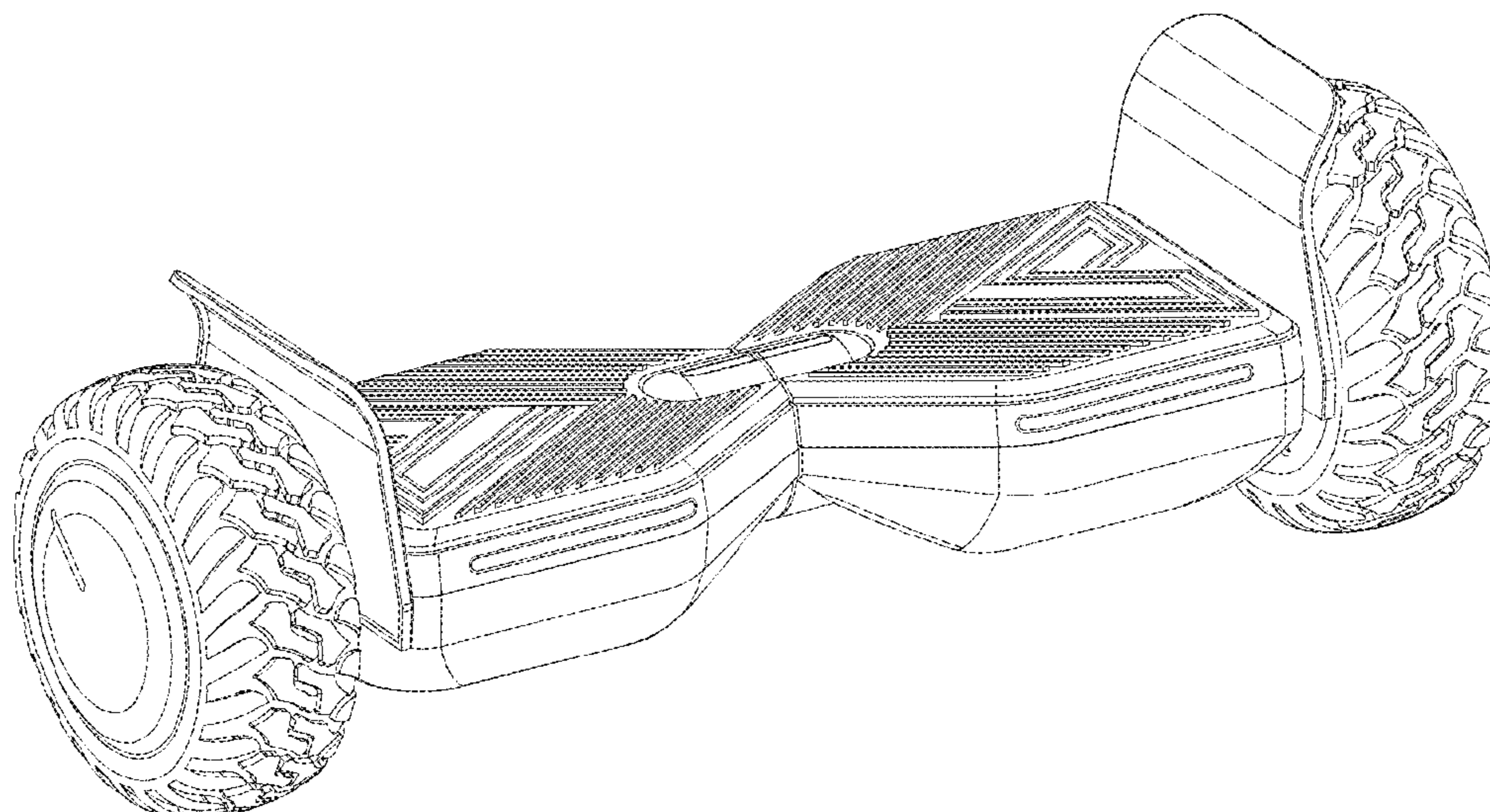
FIG. 4 is a right side elevation view thereof;

FIG. 5 is a left side elevation view thereof;

FIG. 6 is a top plan view thereof; and,

FIG. 7 is a bottom plan view thereof.

**1 Claim, 7 Drawing Sheets**



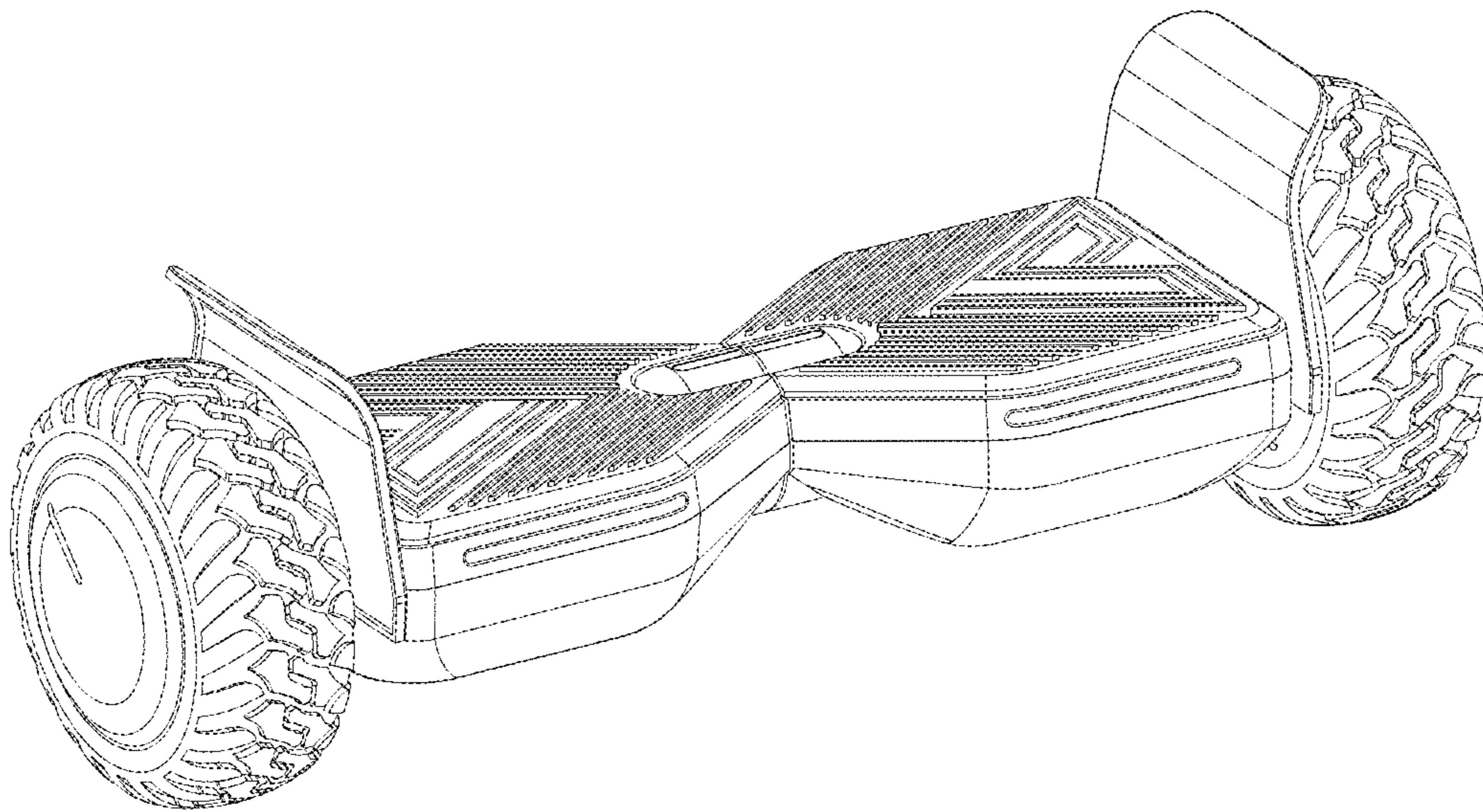


FIG. 1

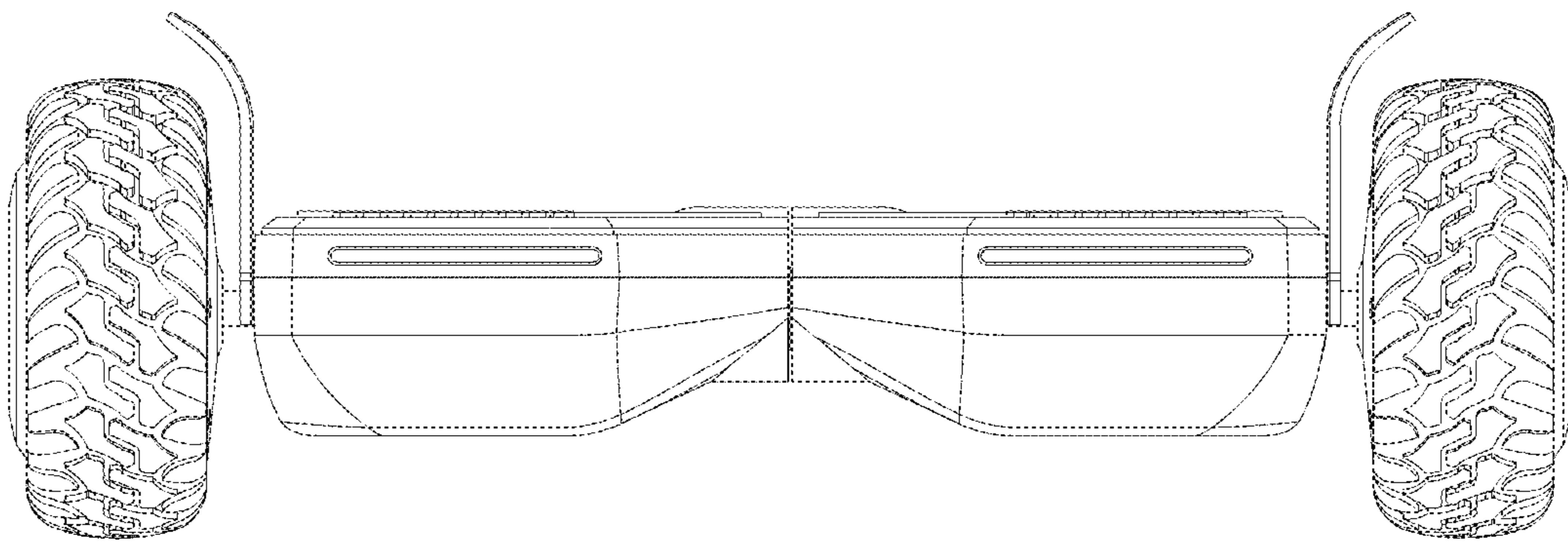


FIG. 2

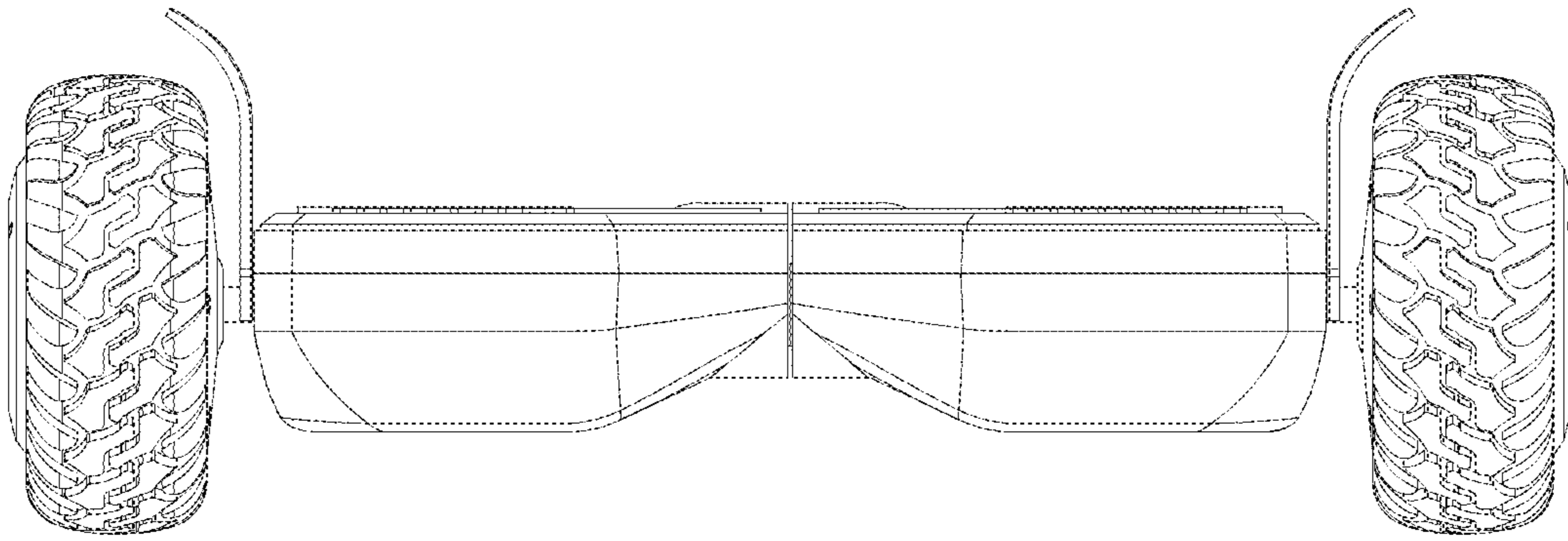


FIG. 3

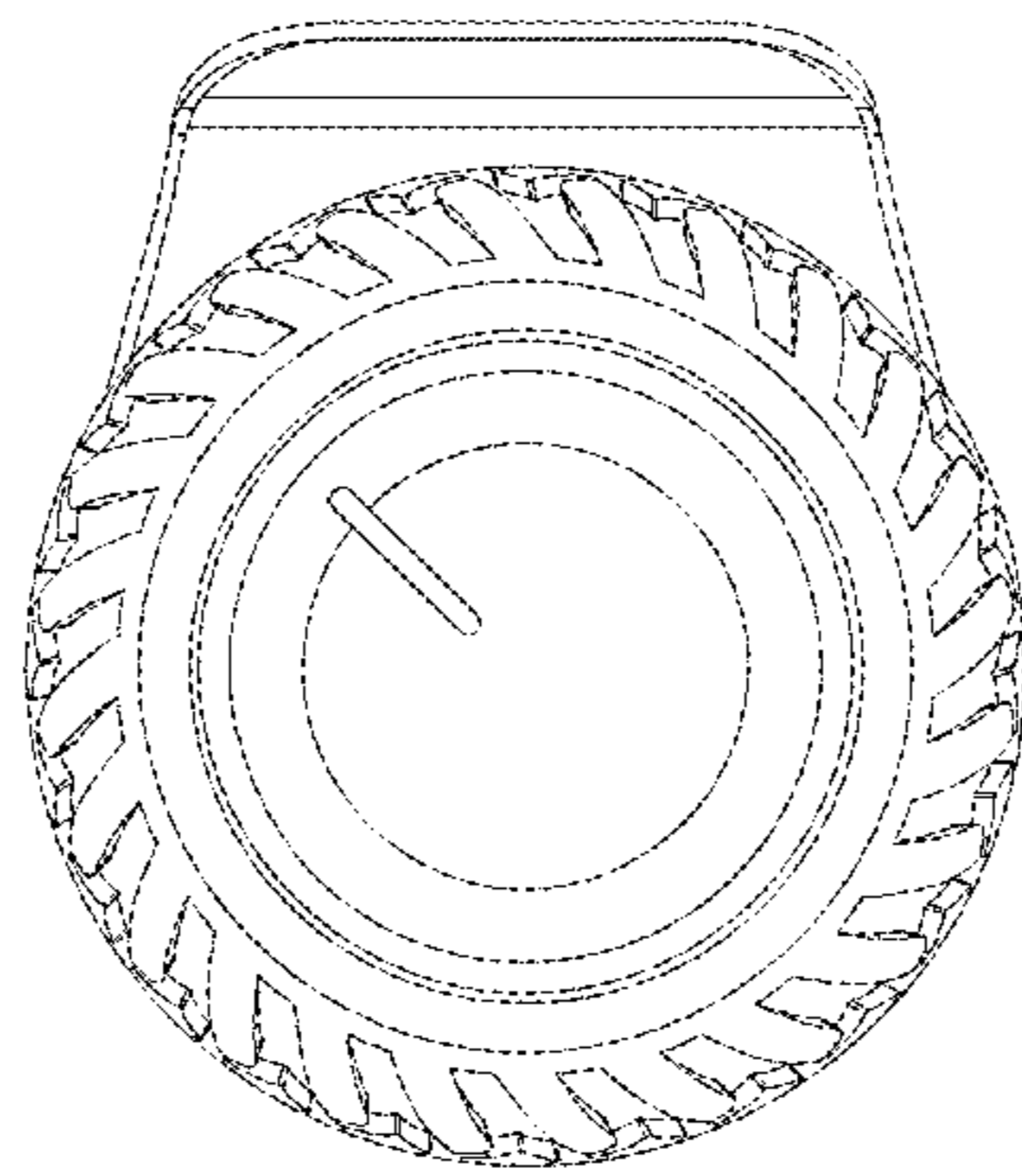


FIG. 4

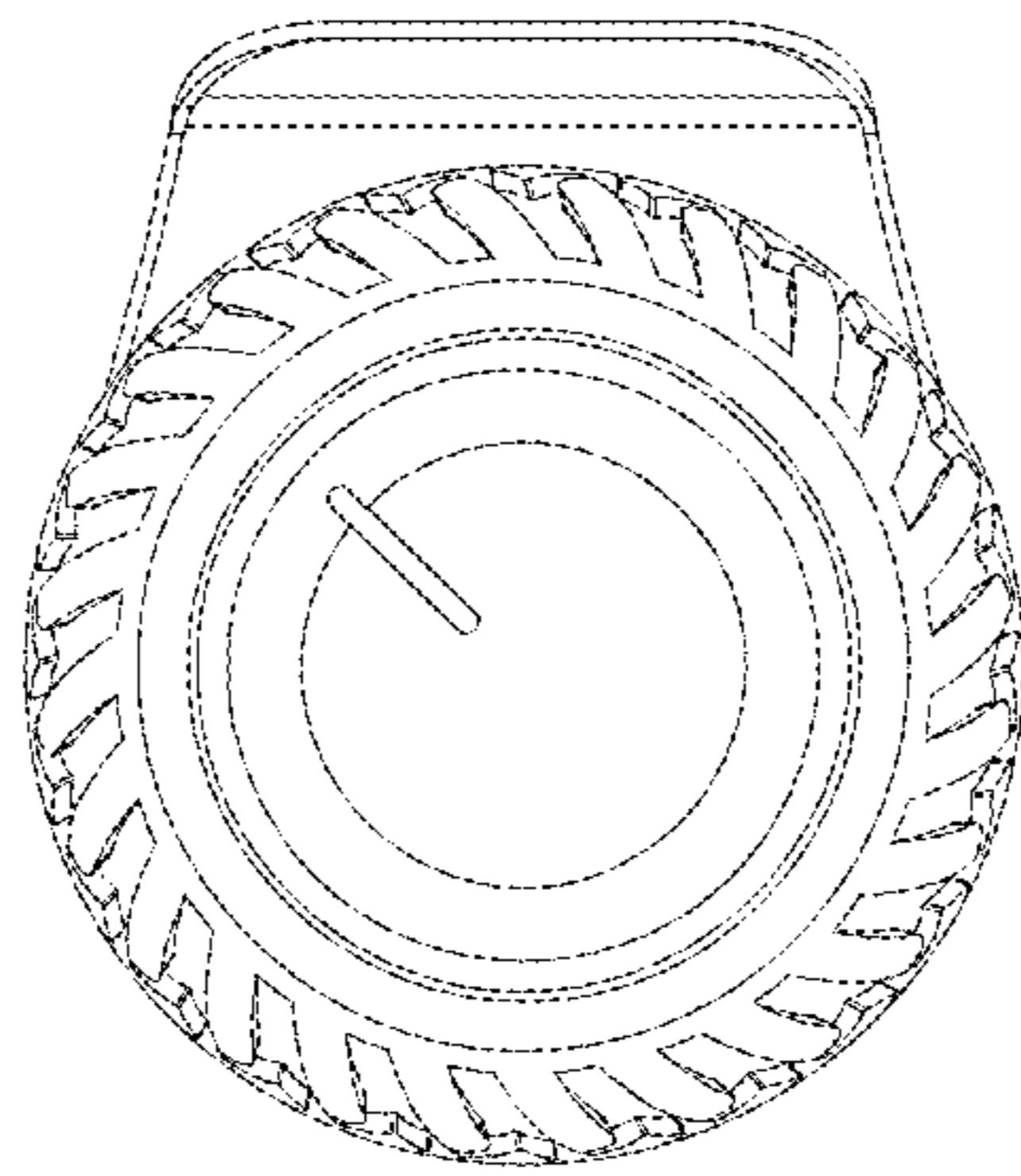


FIG. 5

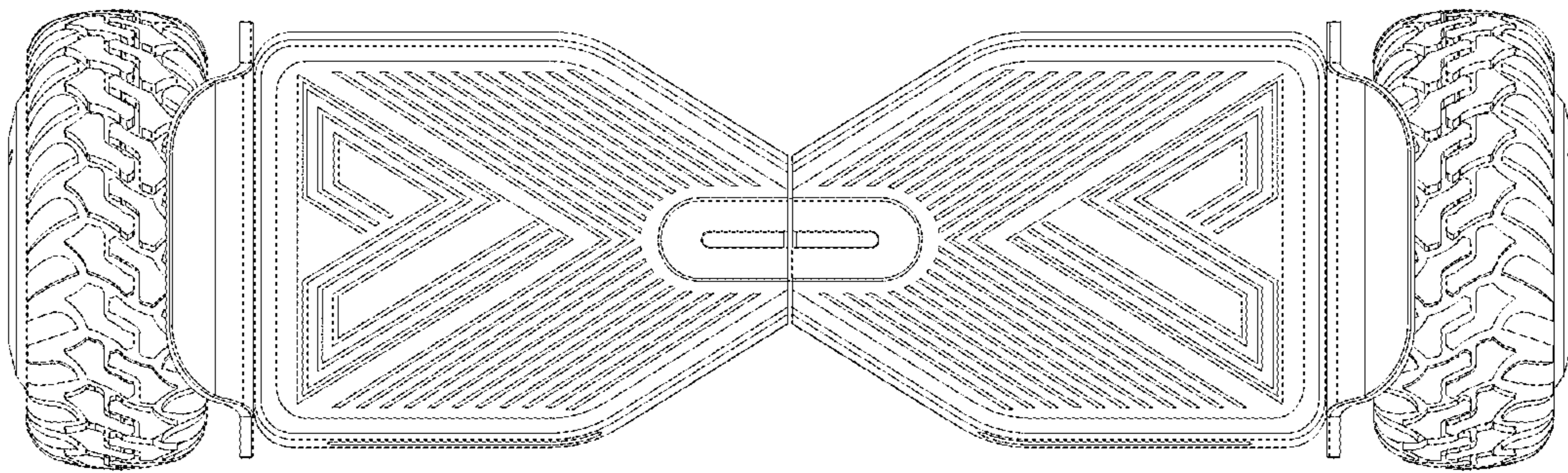


FIG. 6

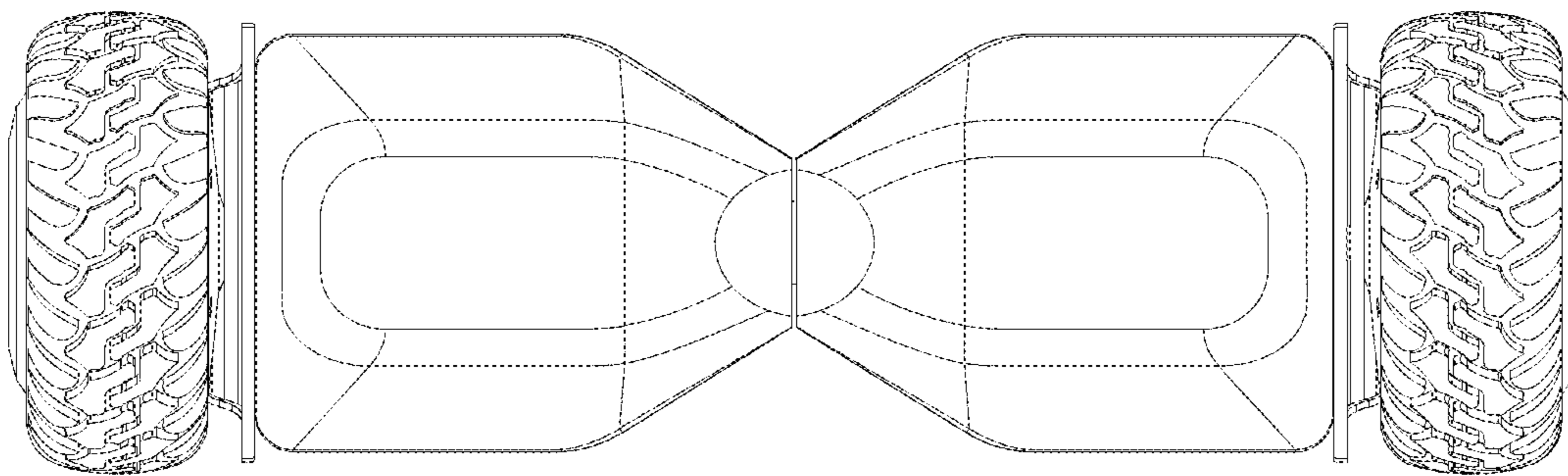


FIG. 7