



US00D871964S

(12) **United States Design Patent**
Simeray

(10) **Patent No.:** **US D871,964 S**
(45) **Date of Patent:** **** Jan. 7, 2020**

(54) **VEHICLE WITH FOOT SUPPORTS**

(71) Applicant: **AMEYRIS LIMITED**, Tsim Sha Tsui (HK)

(72) Inventor: **Marc Daniel Simeray**, Conflans-Sainte-Honorine (FR)

(73) Assignee: **AMEYRIS LIMITED**, Tsim Sha Tsui (HK)

(**) Term: **15 Years**

(21) Appl. No.: **29/645,556**

(22) Filed: **Apr. 27, 2018**

(30) **Foreign Application Priority Data**

Oct. 30, 2017 (EM) 004425924-002
Oct. 30, 2017 (EM) 004425924-003

(51) **LOC (12) Cl.** **12-14**

(52) **U.S. Cl.**
USPC **D12/1; D21/760**

(58) **Field of Classification Search**
USPC D12/1, 107; D21/419, 763, 421, 423,
D21/426, 760, 765, 766, 769, 771, 776,
D21/803
CPC A63C 17/01; A63C 17/12; A63C 2203/00;
A63C 2203/01; A63C 2203/012; A63C
2203/013; A63C 2203/40; A63C 2203/52;
(Continued)

(56) **References Cited**

U.S. PATENT DOCUMENTS

2017/0008593 A1* 1/2017 Artemev B60L 3/106
2017/0217529 A1* 8/2017 Chen B62K 11/007
(Continued)

Primary Examiner — T Chase Nelson

Assistant Examiner — Ania Aman

(74) *Attorney, Agent, or Firm* — Millman IP Inc.

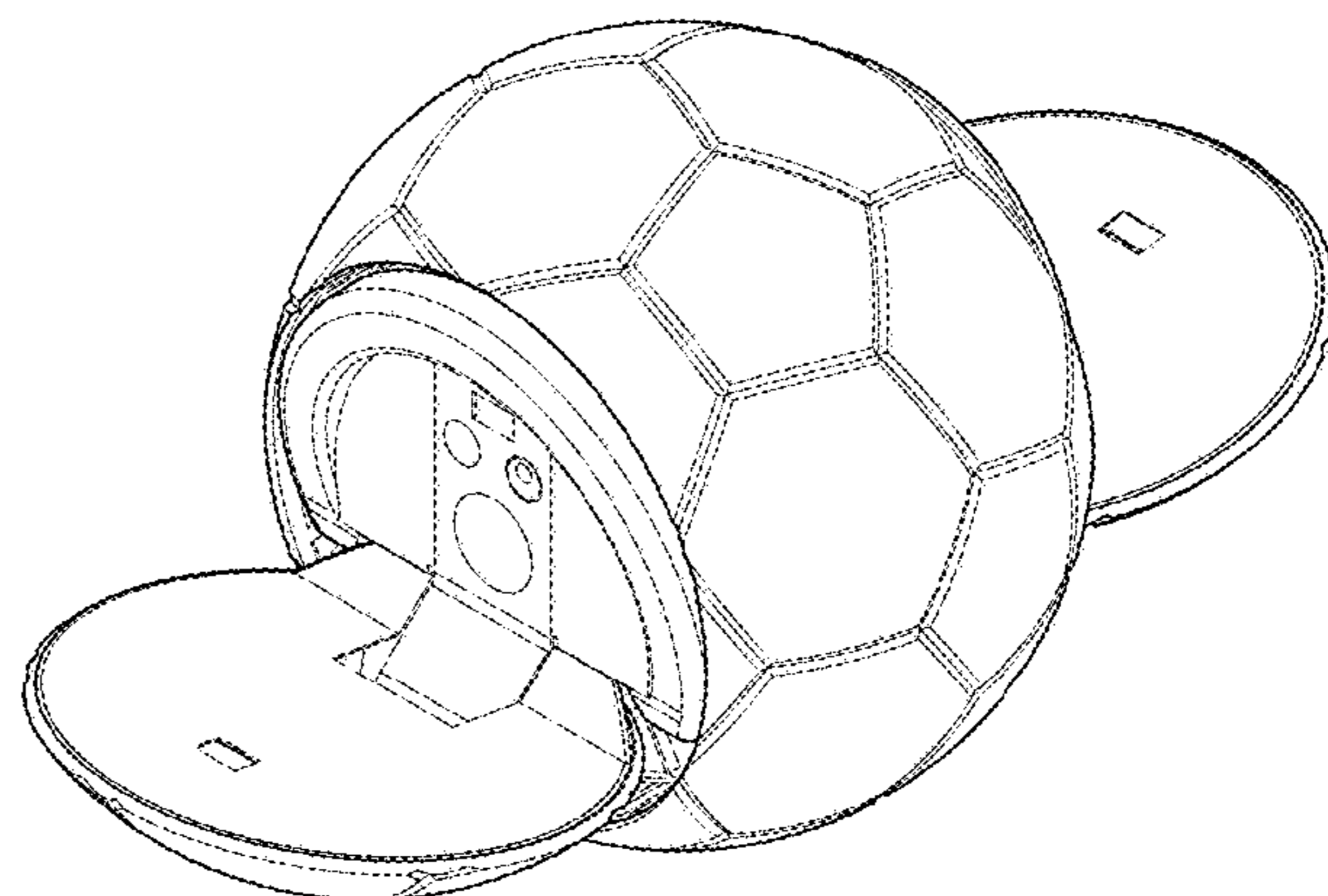
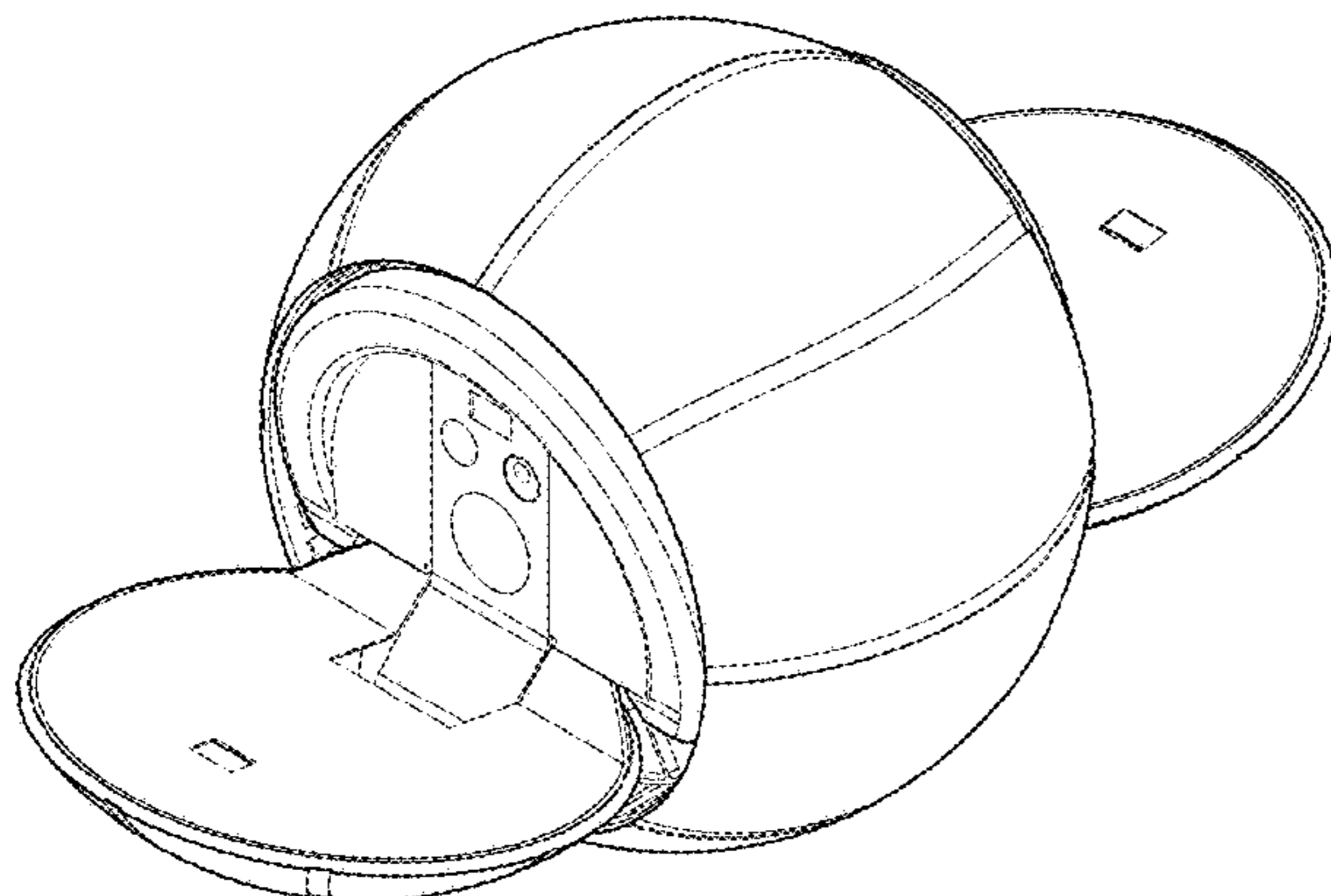
(57) **CLAIM**

The ornamental design for a vehicle with foot supports, as shown and described.

DESCRIPTION

FIG. 1 is a perspective view from above, to the front and to the right side of a new design for a vehicle with foot supports, with two foot supports open;
FIG. 2 is a perspective view from above, to the front and to the right side thereof, with the foot supports closed;
FIG. 3 is a front elevation view thereof, with the foot supports open;
FIG. 4 is a rear elevation view thereof, with the foot supports open;
FIG. 5 is a left side elevation view thereof, with the foot supports open;
FIG. 6 is a right side elevation view thereof, with the foot supports open;
FIG. 7 is a top plan view thereof, with the foot supports open;
FIG. 8 is a bottom plan view thereof, with the foot supports open;
FIG. 9 is a perspective view from above, to the front and to the right side for a second embodiment thereof, with two foot supports open;
FIG. 10 is a perspective view from above, to the front and to the right side thereof, with the foot supports closed;
FIG. 11 is a front elevation view thereof, with the foot supports open;
FIG. 12 is a rear elevation view thereof, with the foot supports open;
FIG. 13 is a left side elevation view thereof, with the foot supports open;
FIG. 14 is a right side elevation view thereof, with the foot supports open;
FIG. 15 is a top plan view thereof, with the foot supports open; and,
FIG. 16 is a bottom plan view thereof, with the foot supports open.

1 Claim, 14 Drawing Sheets



(58) **Field of Classification Search**

CPC ... A63C 17/0033; A63C 17/016; A63C 17/08;
B62D 51/02; B62D 51/001; B62D 61/00;
B62D 37/00; B62K 2202/00; B62K
2207/00; B62K 2207/02; B62K 2207/04;
B62K 3/007; B62K 17/00; B62K 11/007;
B62K 1/00; B60N 2/002; B60G 17/019

See application file for complete search history.

(56) **References Cited**

U.S. PATENT DOCUMENTS

2017/0259162	A1*	9/2017	Mo	A63C 17/12
2018/0208076	A1*	7/2018	Chen	B60L 15/20
2018/0215434	A1*	8/2018	Chen	B62K 11/007
2019/0047653	A1*	2/2019	Chen	B62J 25/00

* cited by examiner

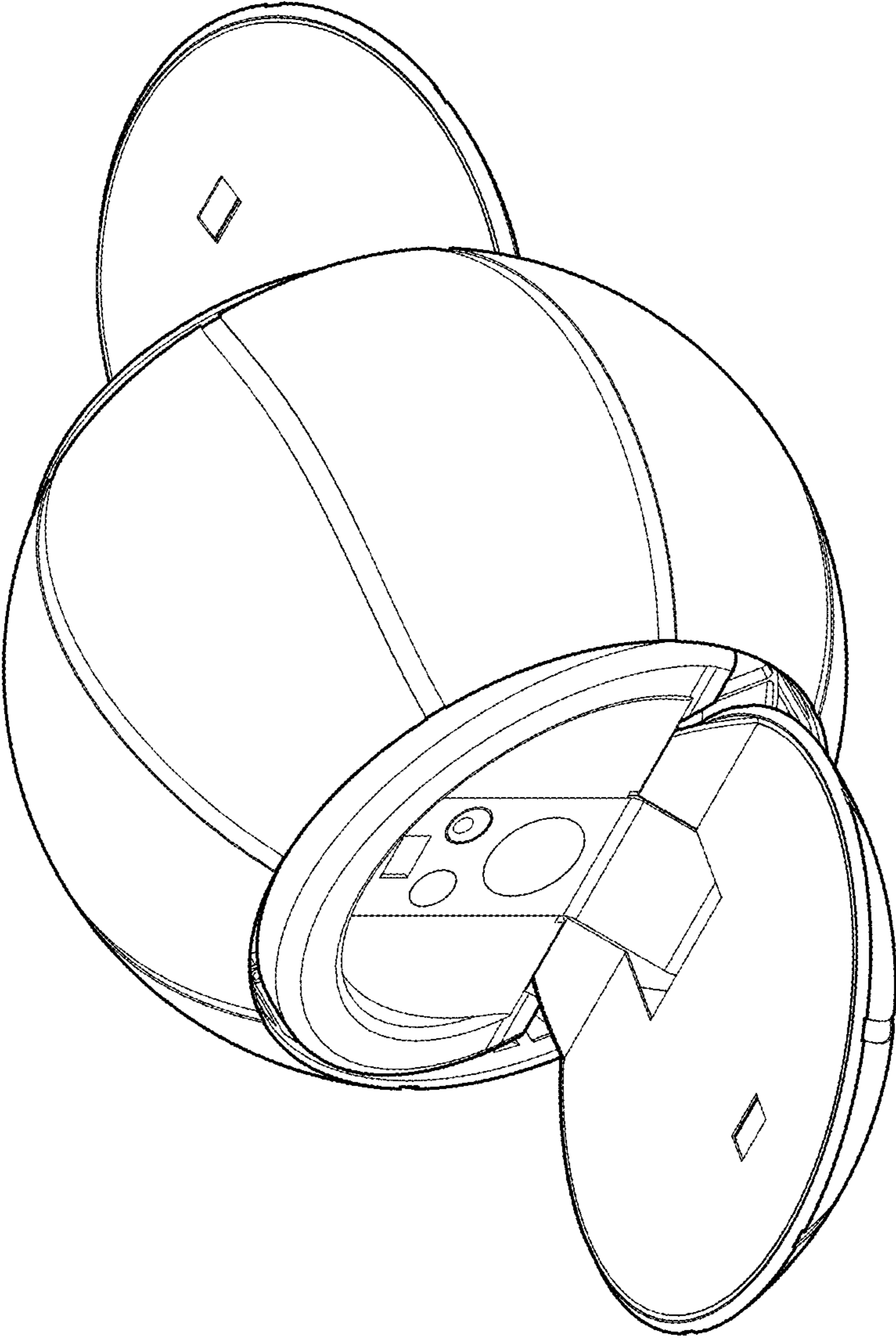


FIG. 1

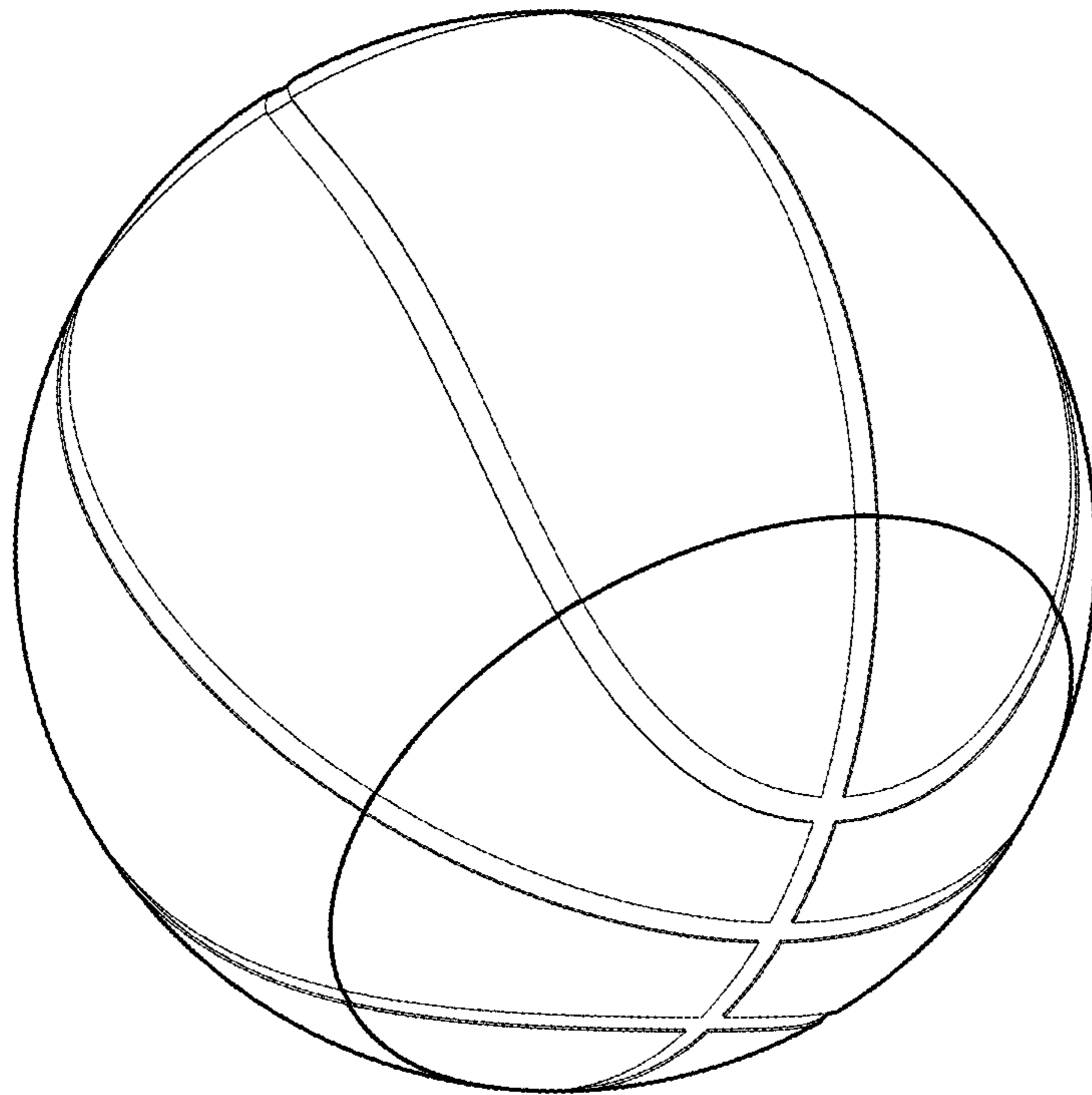


FIG. 2

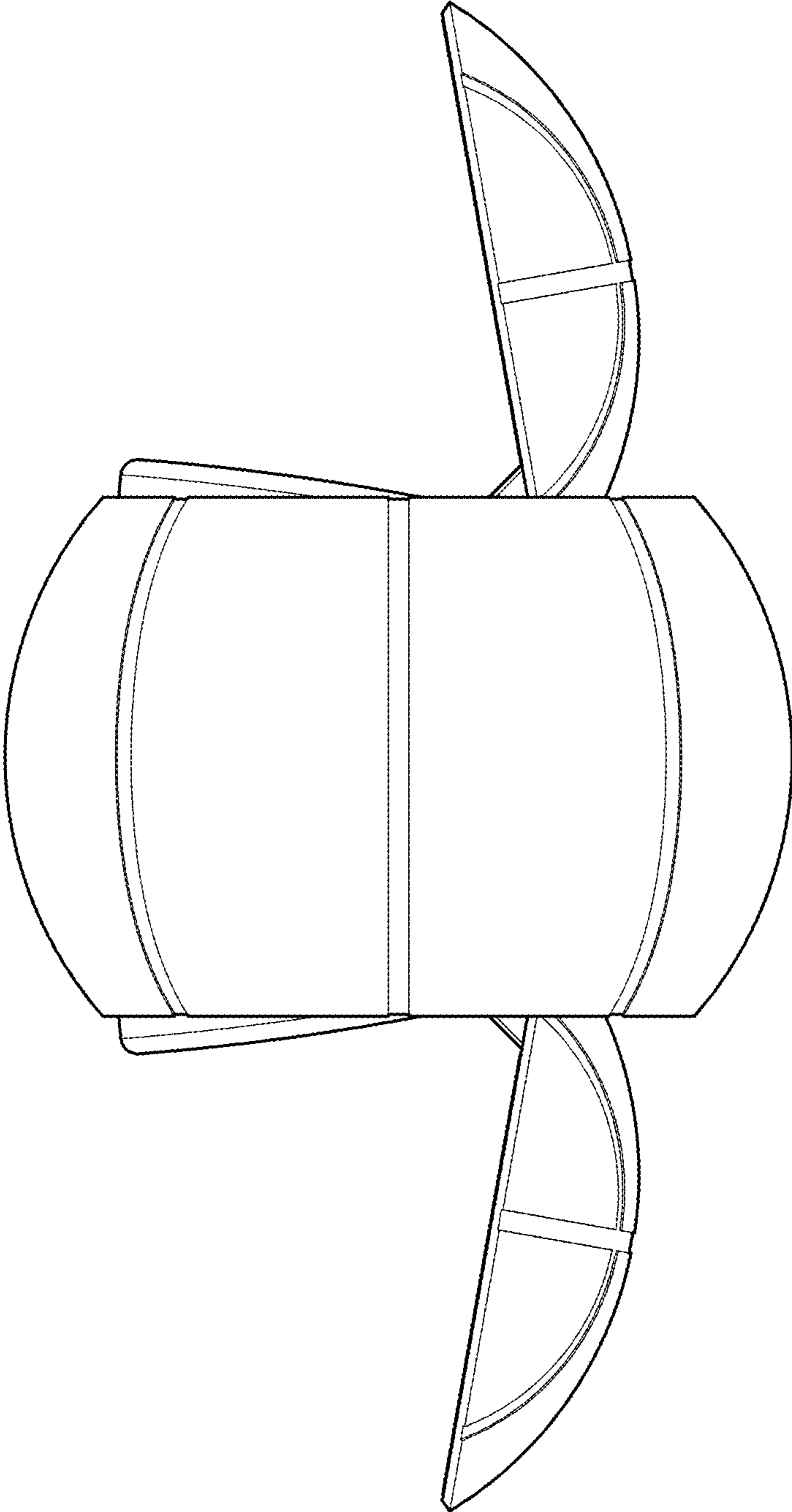


FIG. 3

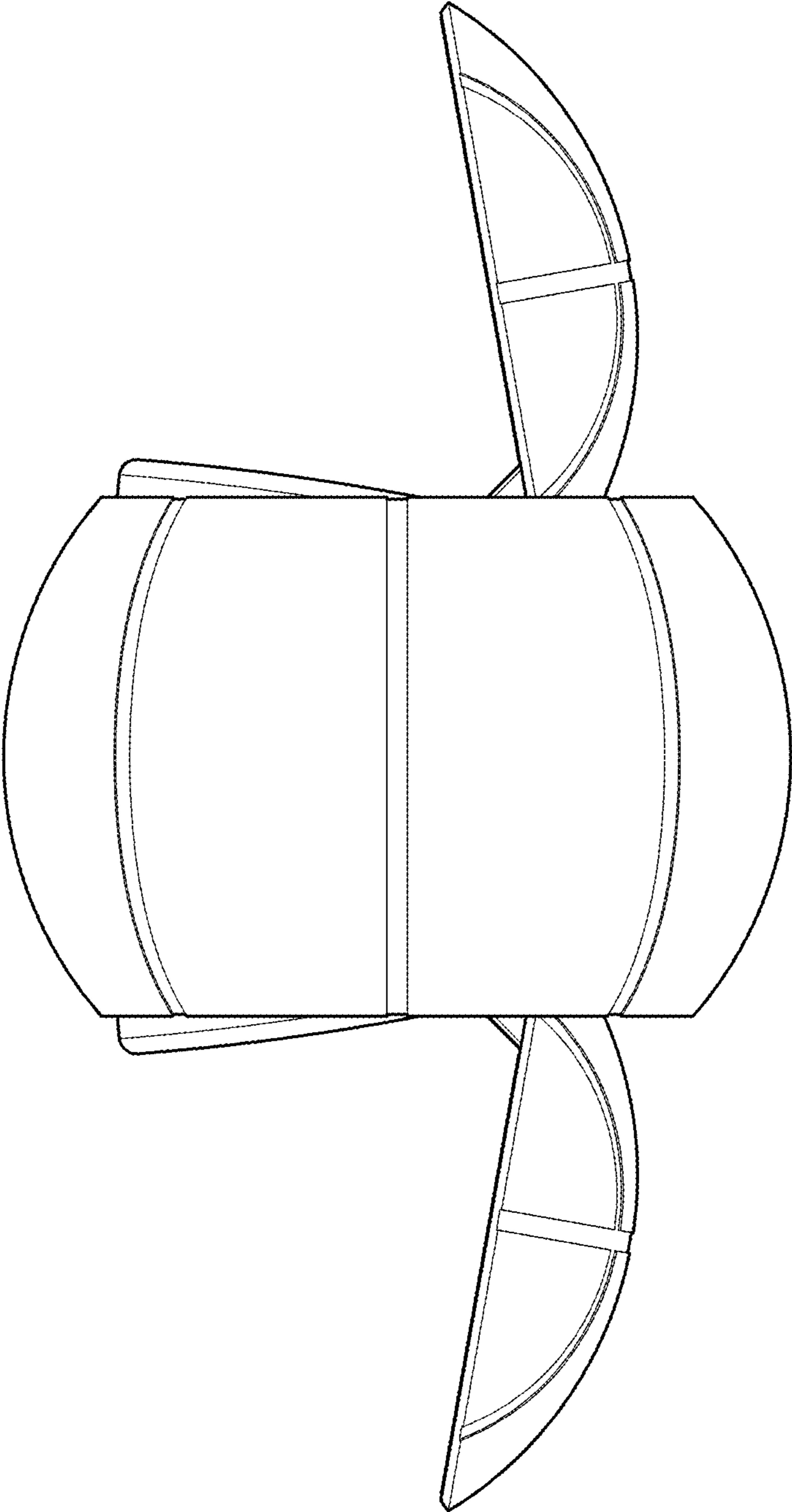


FIG. 4

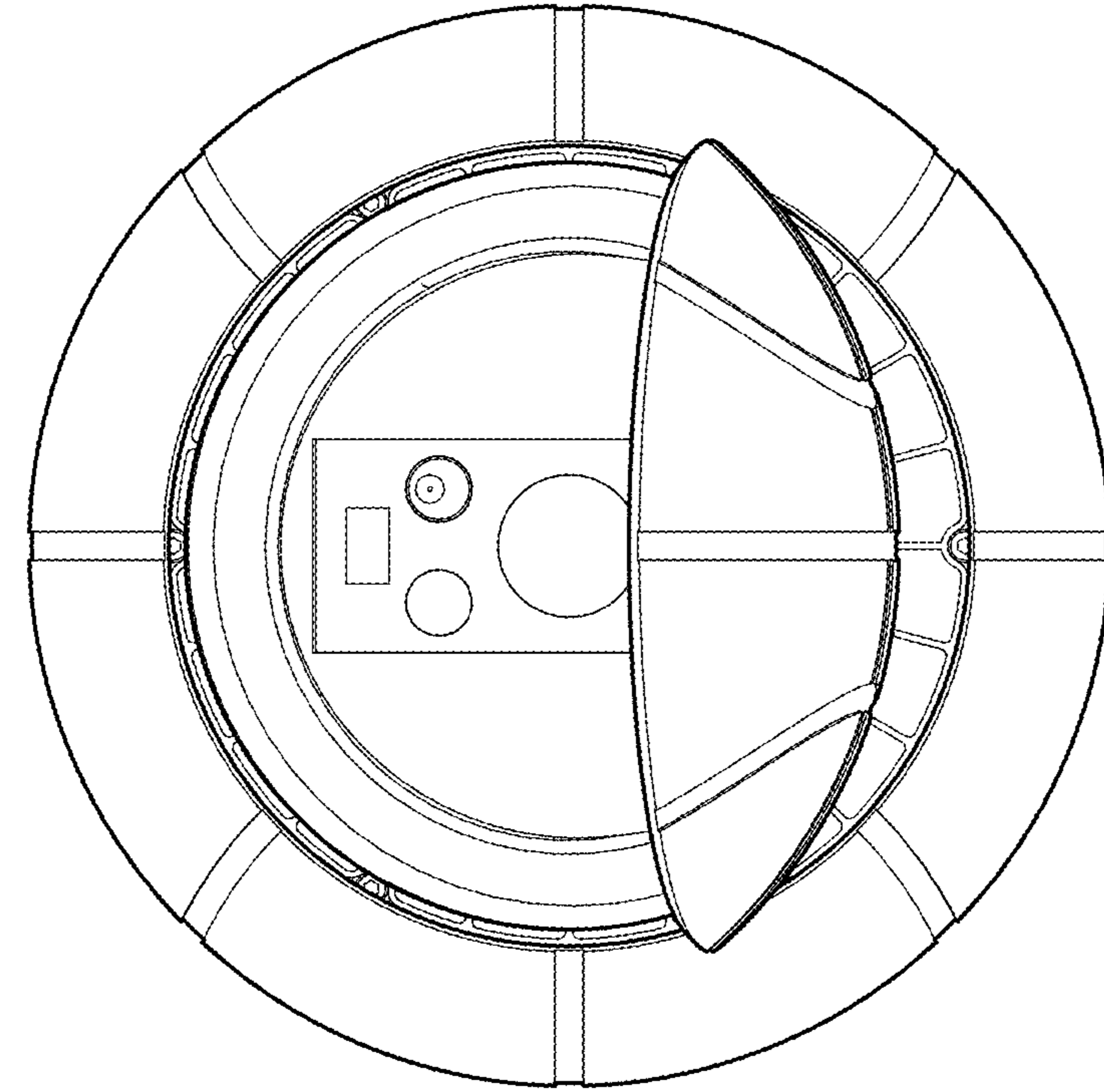


FIG. 6

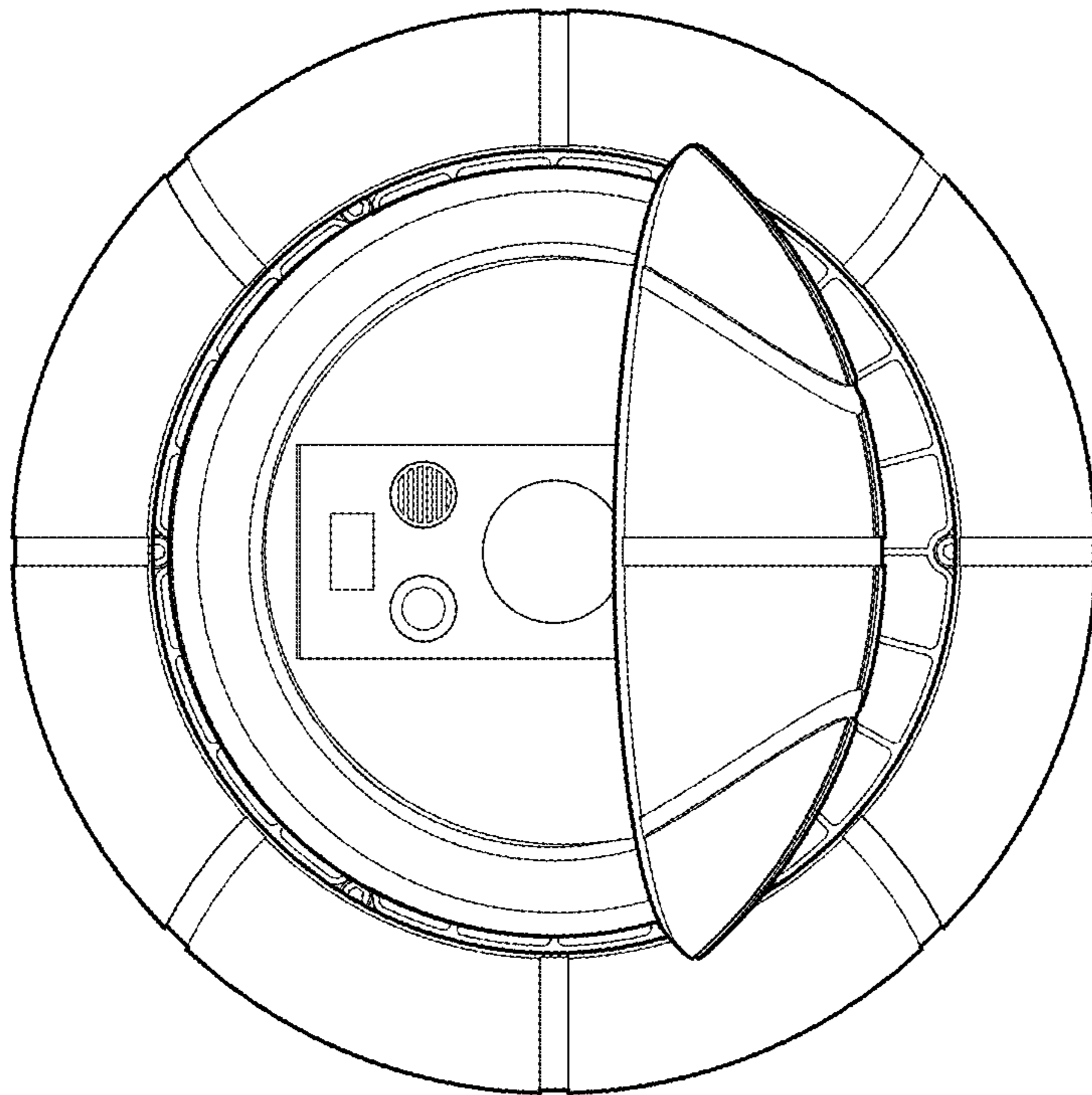


FIG. 5

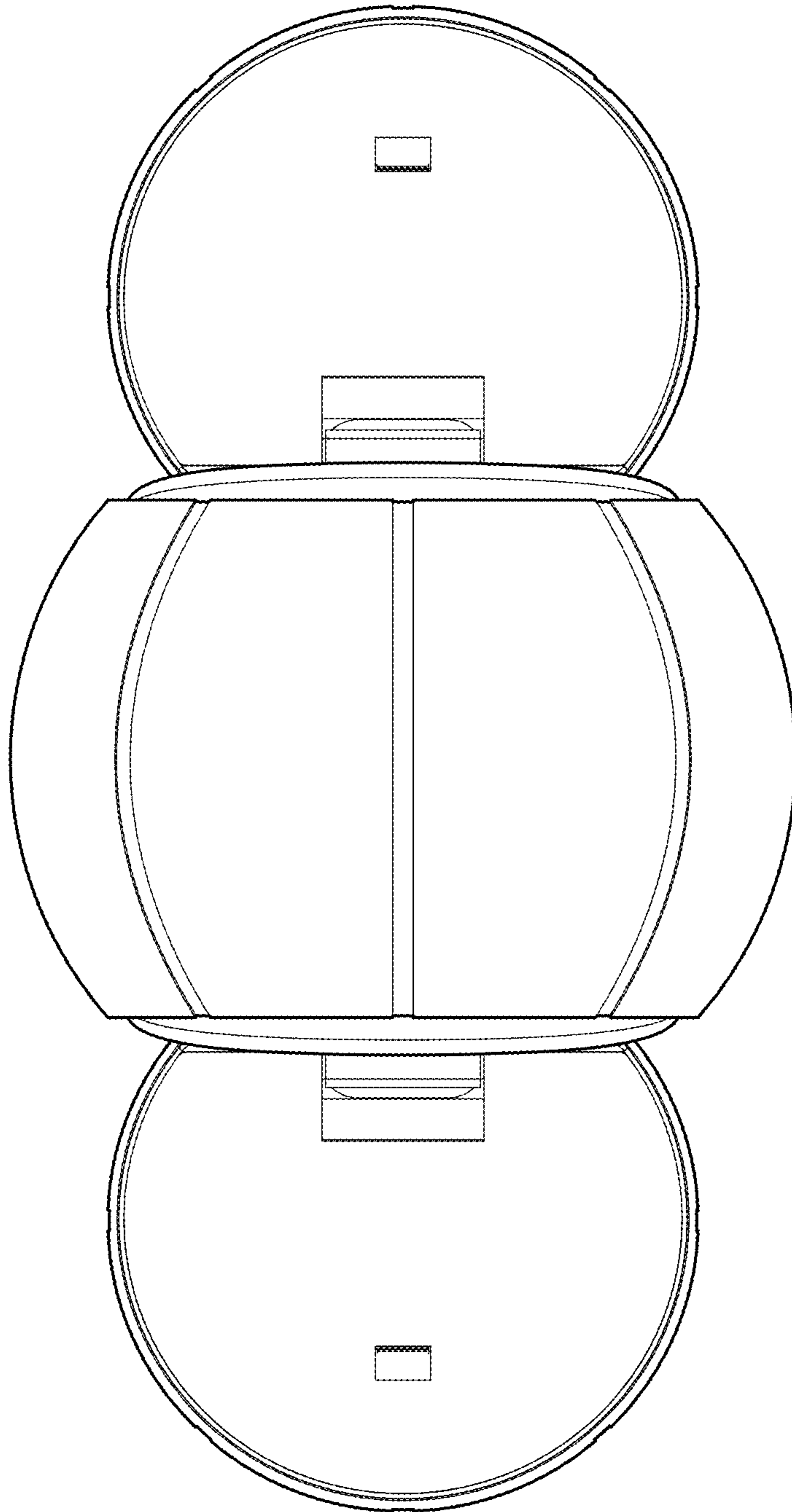


FIG. 7

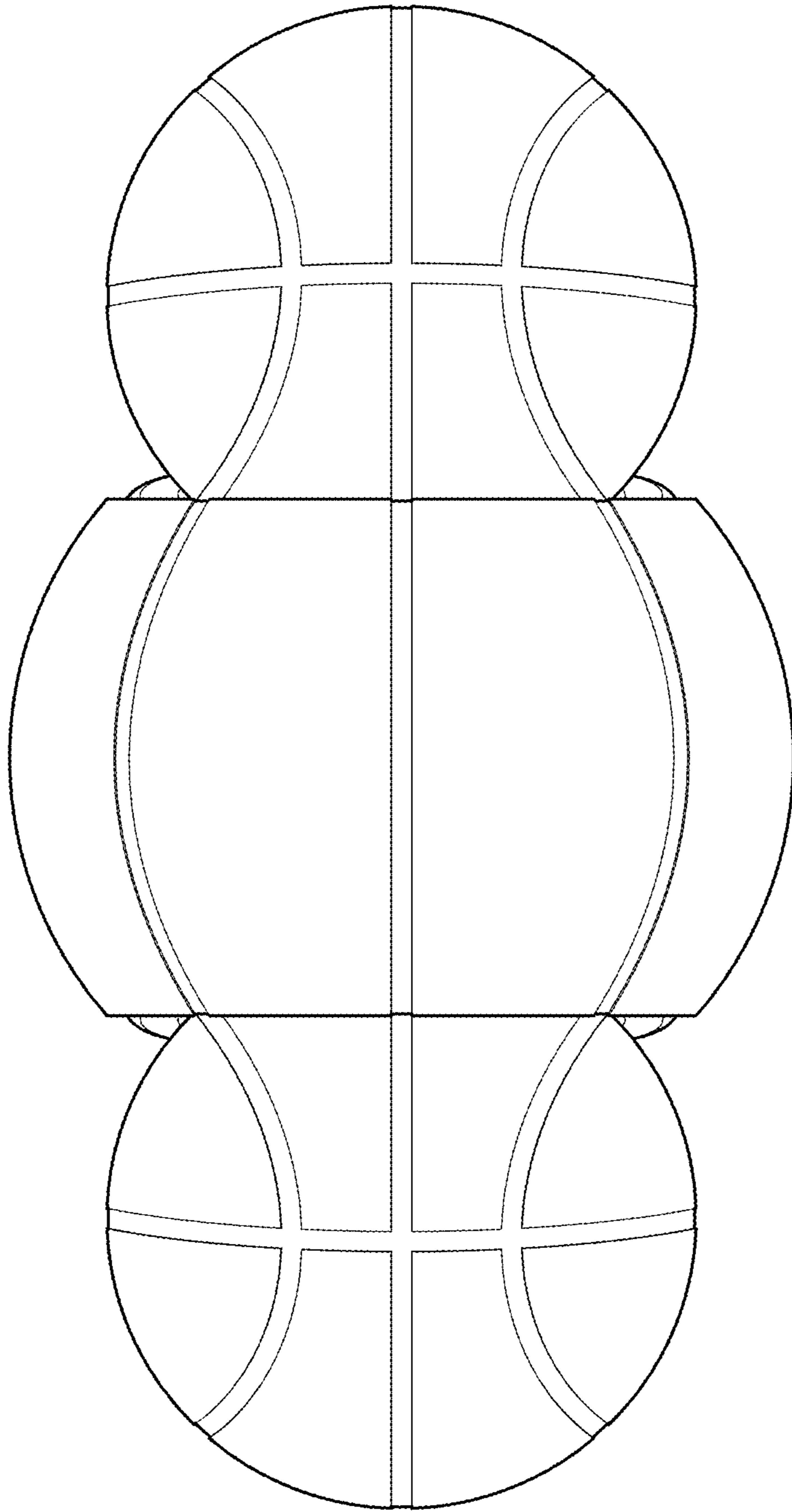


FIG. 8

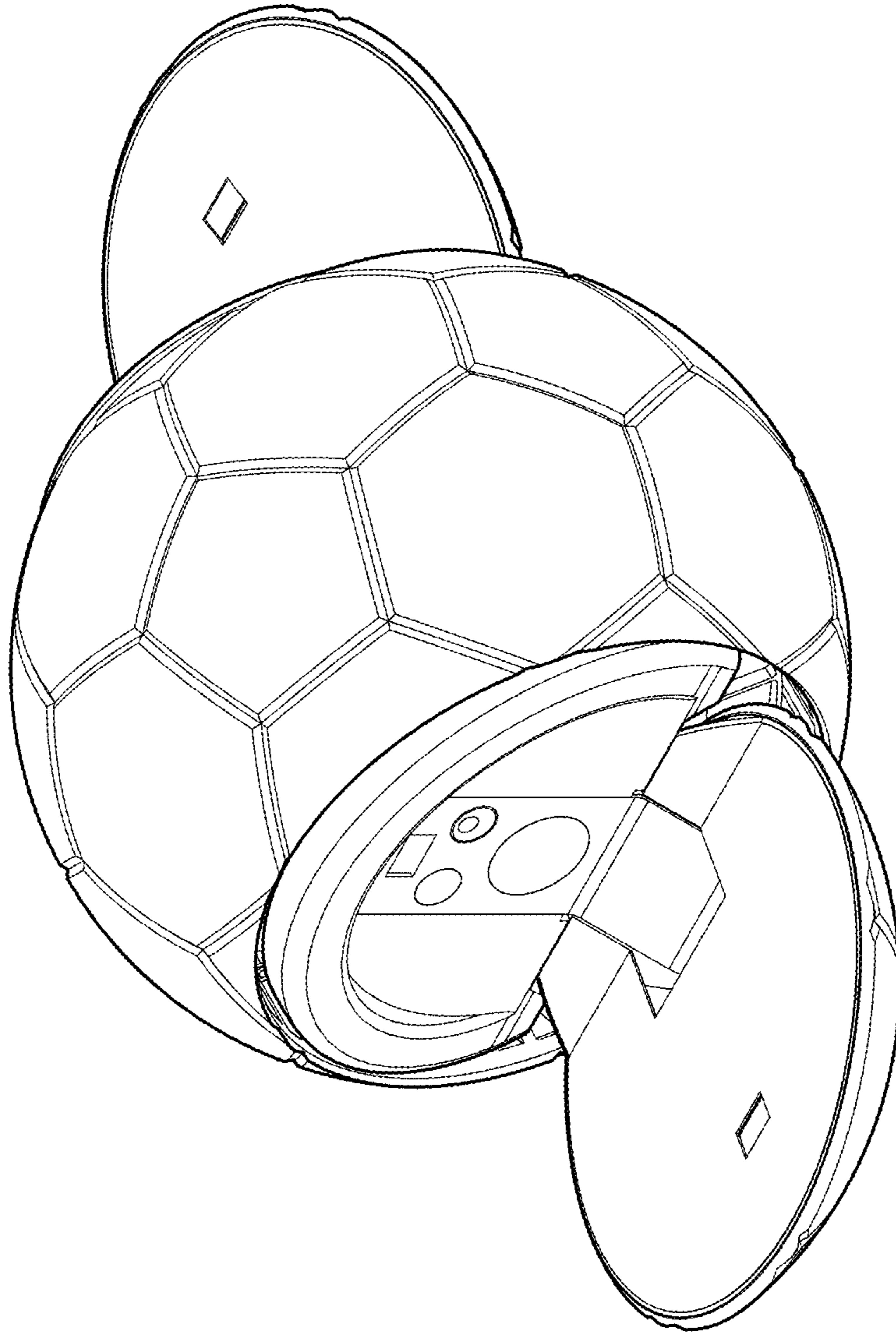


FIG. 9

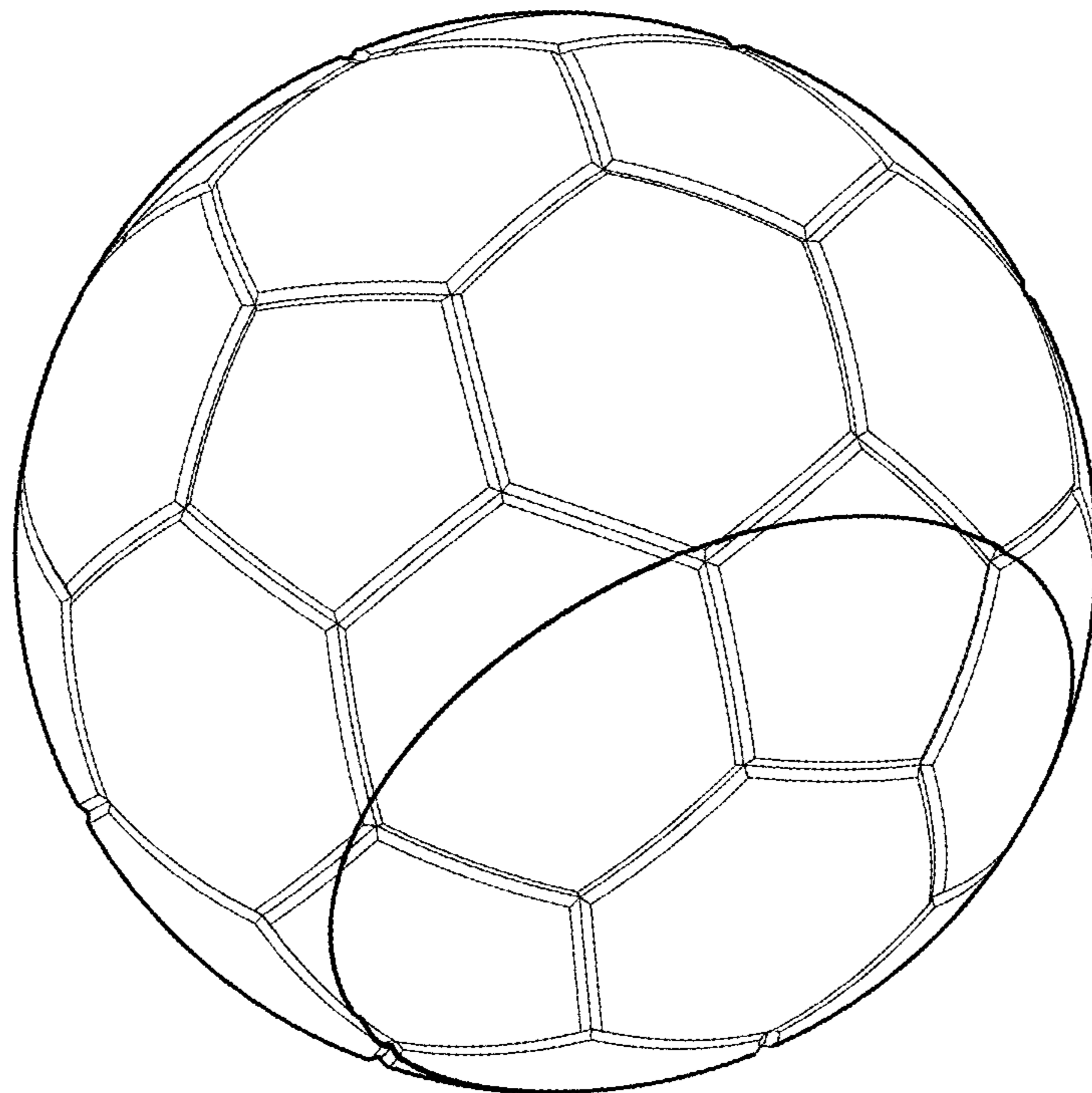


FIG. 10

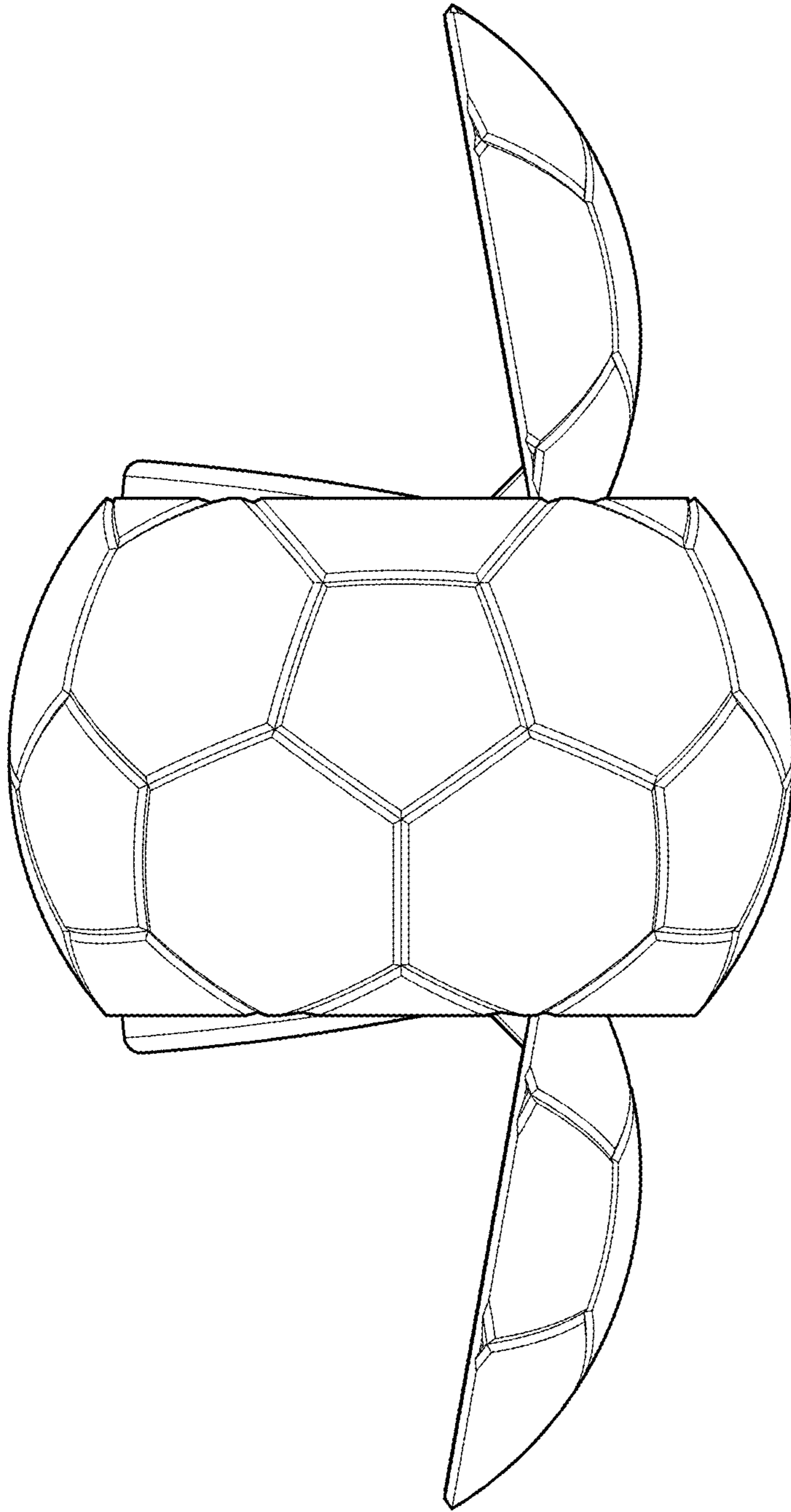


FIG. 11

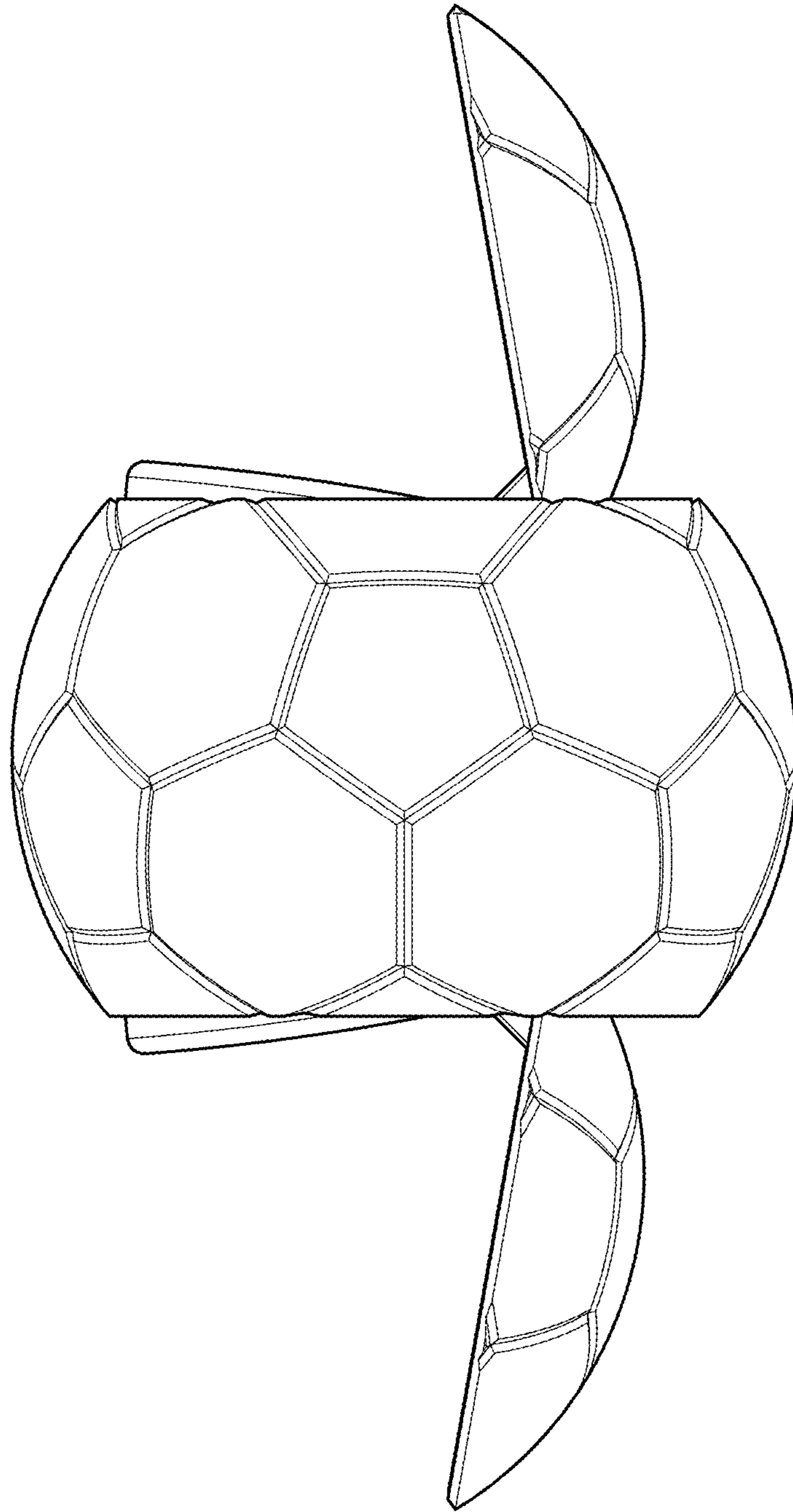


FIG. 12

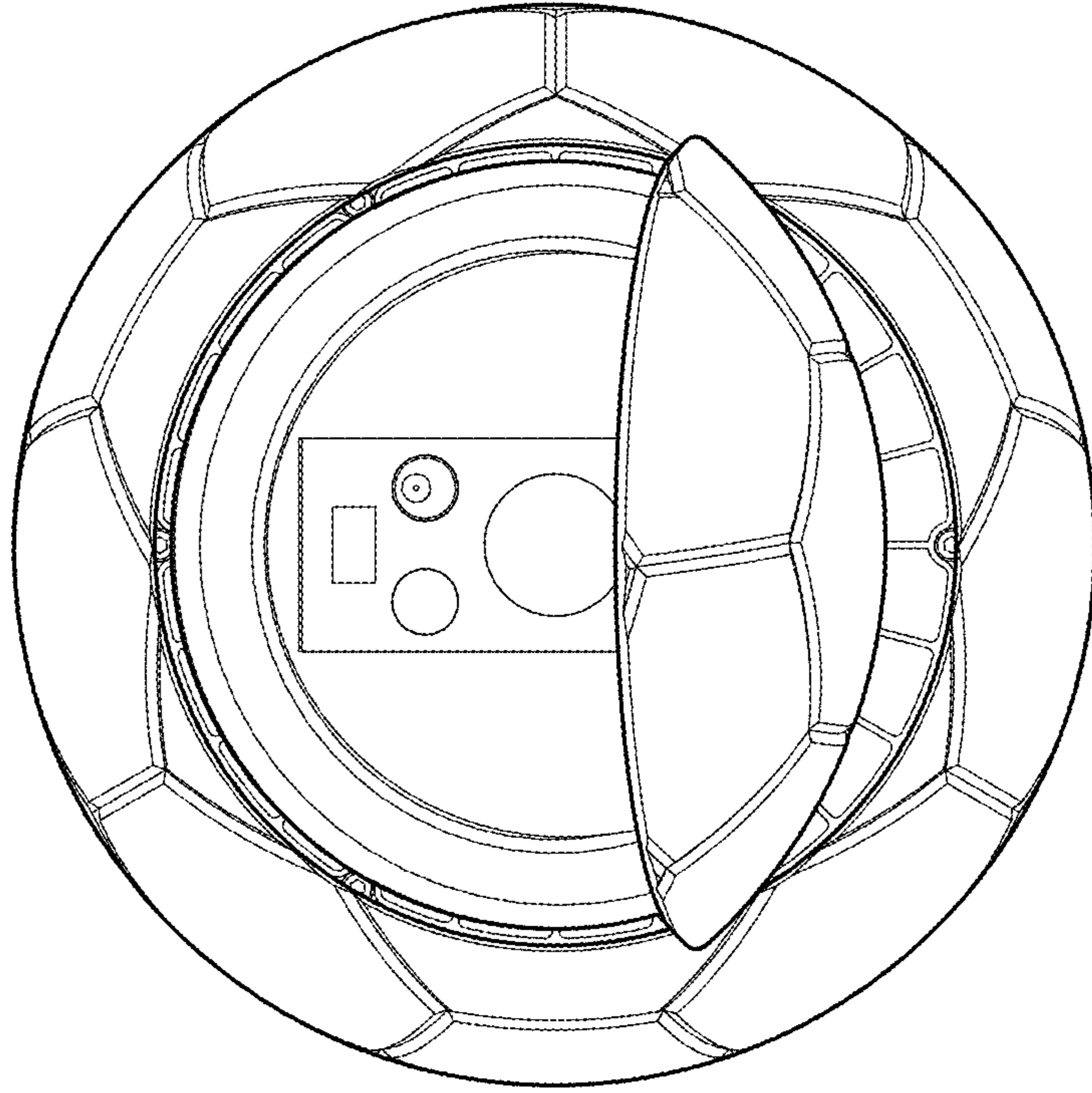


FIG. 14

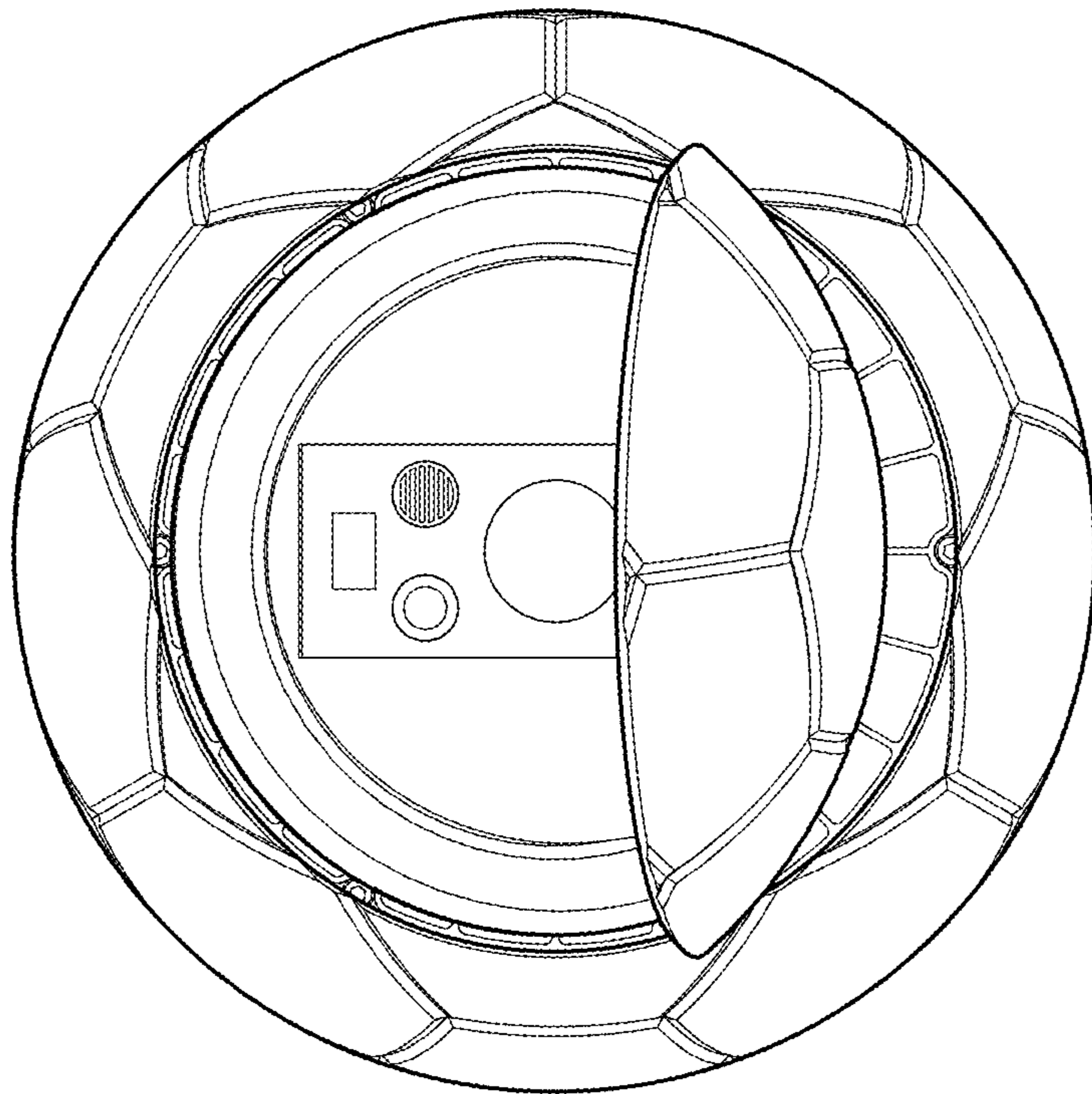


FIG. 13

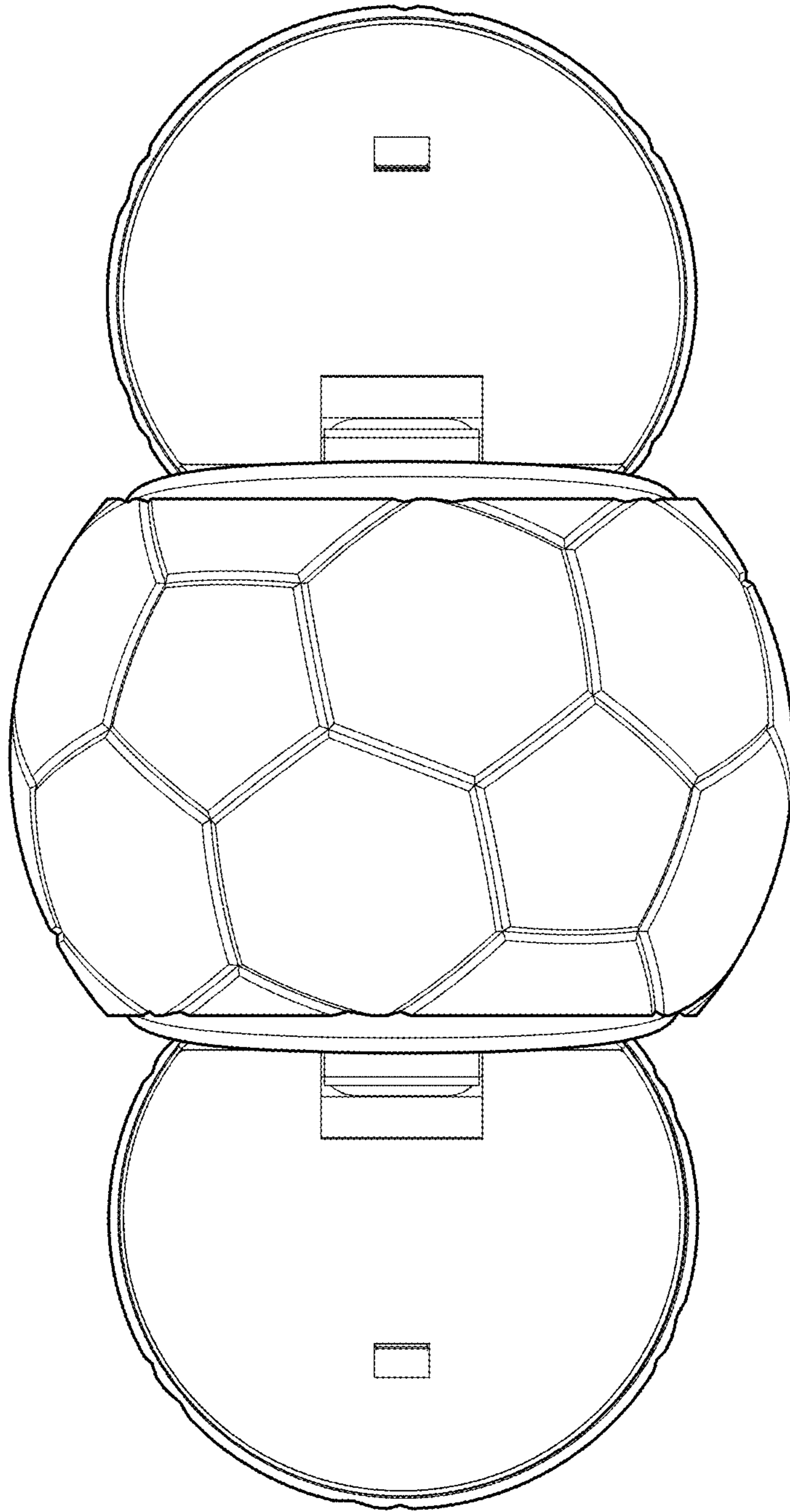


FIG. 15

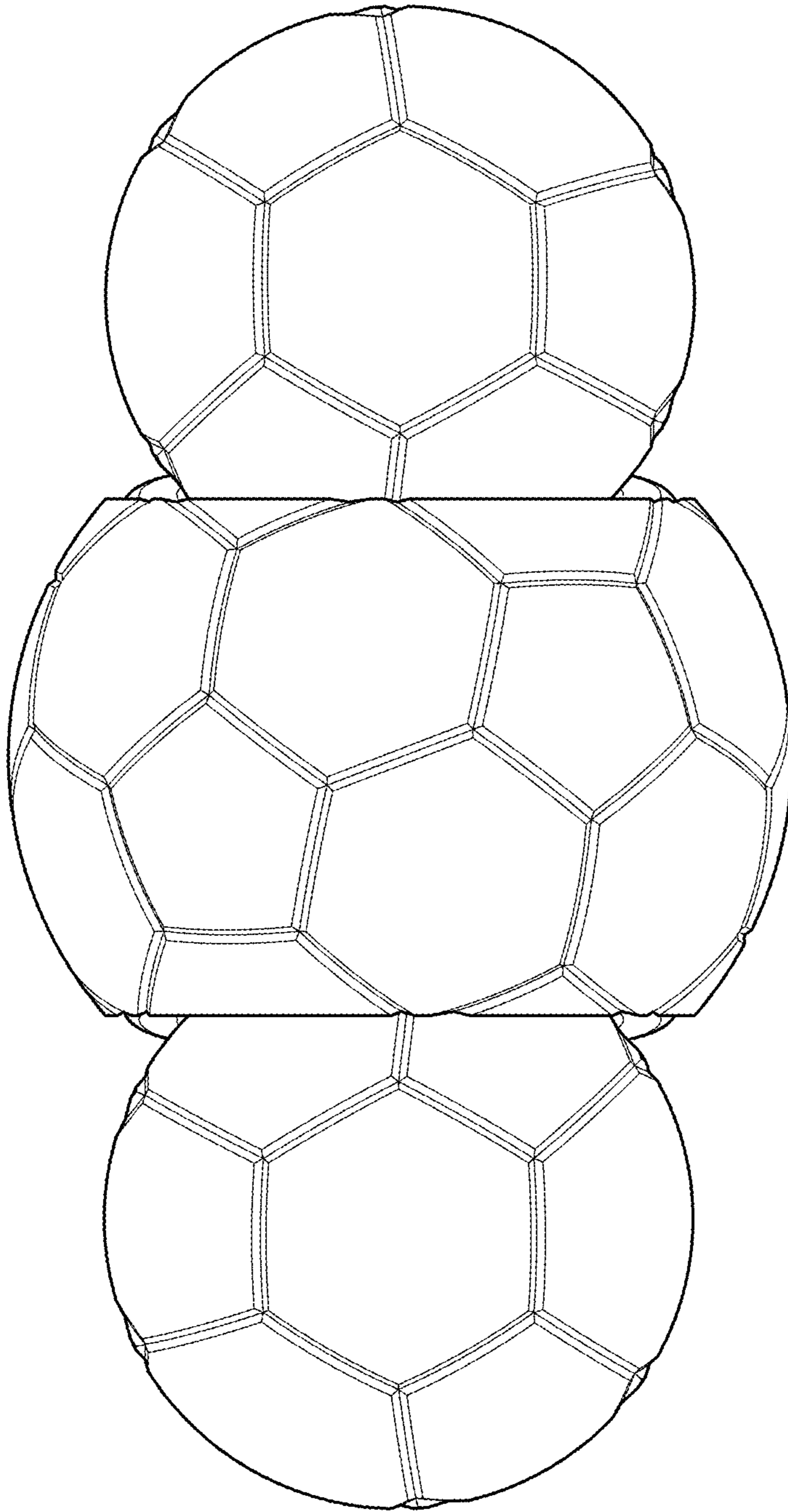


FIG. 16