



US00D871962S

(12) **United States Design Patent**  
**Hunt et al.**

(10) **Patent No.:** **US D871,962 S**  
(45) **Date of Patent:** **\*\* Jan. 7, 2020**

- (54) **WICKING TRAY**
- (71) Applicant: **Waterwix Pty Ltd**, Cremorne Point, NSW (AU)
- (72) Inventors: **Vincent John Hunt**, Billinudgel (AU); **Michael John Laybourne Hort**, Chatswood (AU); **Ian John Collins**, Cremorne Point (AU); **Robert Andrew Stevenson**, Freshwater (AU)
- (73) Assignee: **Waterwix Pty Ltd**, Cremorne Point (AU)

- 5,429,236 A \* 7/1995 Evans ..... B65D 19/0016  
108/55.1
- 5,467,555 A \* 11/1995 Ripley, Sr. .... E01C 13/083  
220/7
- 5,595,021 A \* 1/1997 Ripley, Sr. .... E01C 13/083  
47/66.5
- 6,134,834 A \* 10/2000 Ripley, Sr. .... A01G 9/033  
47/86
- 6,237,285 B1 \* 5/2001 Yoshida ..... A01G 9/033  
47/65.9
- 7,900,397 B2 \* 3/2011 Mischo ..... A01G 9/033  
47/65.9
- 8,235,863 B2 \* 8/2012 Mathy ..... A01G 9/028  
477/79
- 8,479,443 B2 \* 7/2013 Buist ..... A01G 9/033  
47/65.9
- D698,182 S \* 1/2014 Schall ..... D6/403  
(Continued)

- (\*\*) Term: **15 Years**
- (21) Appl. No.: **29/616,800**
- (22) Filed: **Sep. 8, 2017**
- (51) **LOC (12) Cl.** ..... **11-02**
- (52) **U.S. Cl.**  
USPC ..... **D11/155; D8/1**
- (58) **Field of Classification Search**  
USPC ..... D6/403–405, 556–558; D11/143–156,  
D11/164; D3/273, 279; D9/414, 424,  
D9/432; D34/5, 11  
CPC ..... A01G 2009/003; A01G 9/00; A01G 9/02;  
A01G 9/021; A01G 9/023; A01G 9/024;  
A01G 9/025; A01G 9/029; A01G 9/0291;  
A01G 9/0295; A01G 9/033; A01G 9/04;  
A01G 9/042; A01G 9/012; A01G 5/04;  
A47G 7/00; A47G 7/06; A47G 7/08  
See application file for complete search history.

*Primary Examiner* — Elizabeth A. Albert  
(74) *Attorney, Agent, or Firm* — Richards Patent Law P.C.

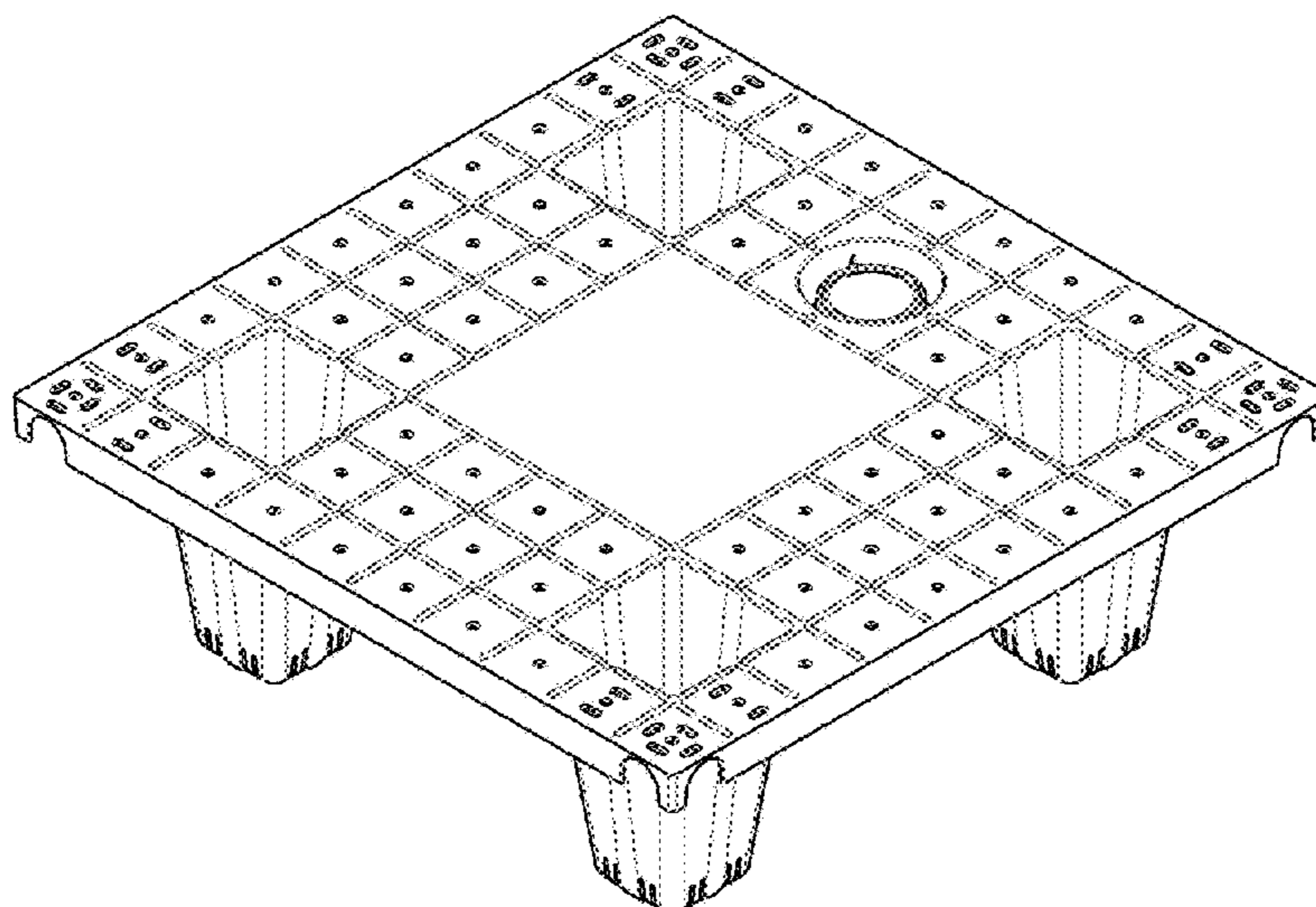
(57) **CLAIM**  
The ornamental design for a wicking tray, as shown and described.

**DESCRIPTION**

FIG. 1 is a front elevational view of a wicking tray showing my new design;  
FIG. 2 is a back elevational view of the wicking tray of FIG. 1;  
FIG. 3 is a left side elevational view of the wicking tray of FIG. 1;  
FIG. 4 is a right side elevational view of the wicking tray of FIG. 1;  
FIG. 5 is a top view of the wicking tray of FIG. 1;  
FIG. 6 is a bottom view of the wicking tray of FIG. 1;  
FIG. 7 is an isometric view from above of the wicking tray of FIG. 1; and,  
FIG. 8 is an isometric view from below of the wicking tray of FIG. 1.

- (56) **References Cited**  
U.S. PATENT DOCUMENTS  
D273,756 S \* 5/1984 Rexroth ..... D8/1  
4,620,390 A \* 11/1986 Mekler ..... A01G 9/0295  
47/58.1 R  
5,425,202 A \* 6/1995 Mekler ..... A01G 9/0295  
47/58.1 R

**1 Claim, 8 Drawing Sheets**



(56)

**References Cited**

U.S. PATENT DOCUMENTS

8,950,113	B1 *	2/2015	Schall .....	B65D 19/18 220/533
D726,585	S *	4/2015	Schall .....	D11/155
D733,610	S *	7/2015	Davey .....	D11/155
9,321,584	B1 *	4/2016	Schall .....	B65D 19/18
2018/0049376	A1 *	2/2018	Magee .....	A01G 9/027
2018/0146614	A1 *	5/2018	Mathis .....	A01G 22/00

\* cited by examiner

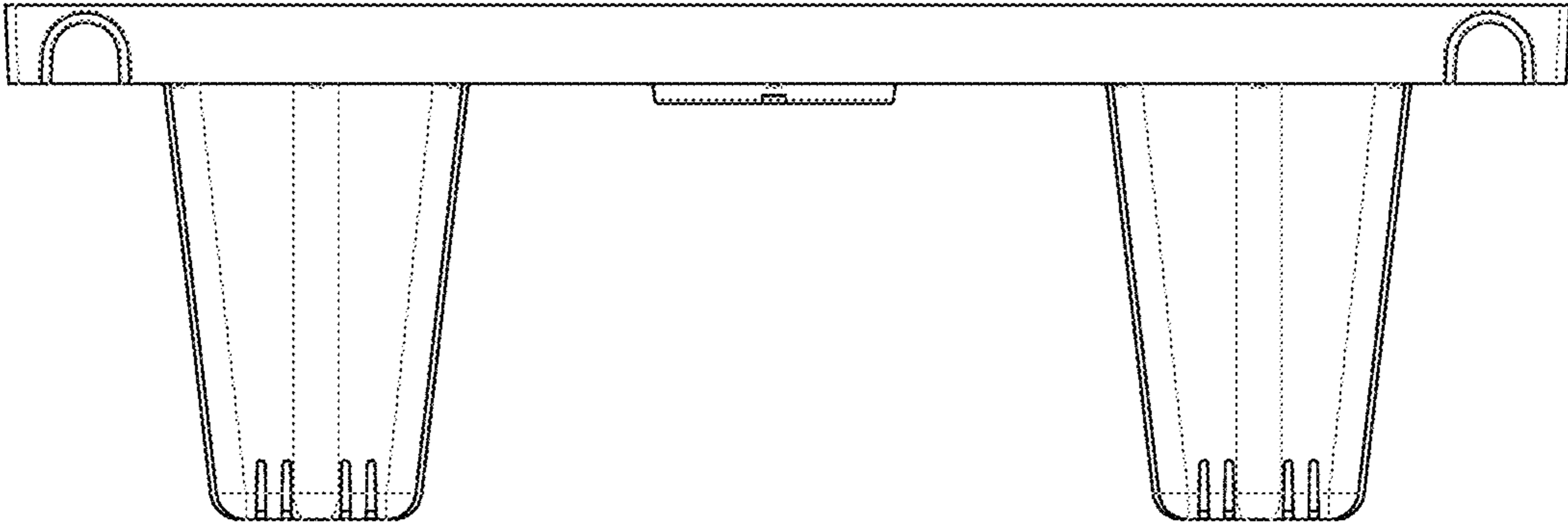


FIG. 1

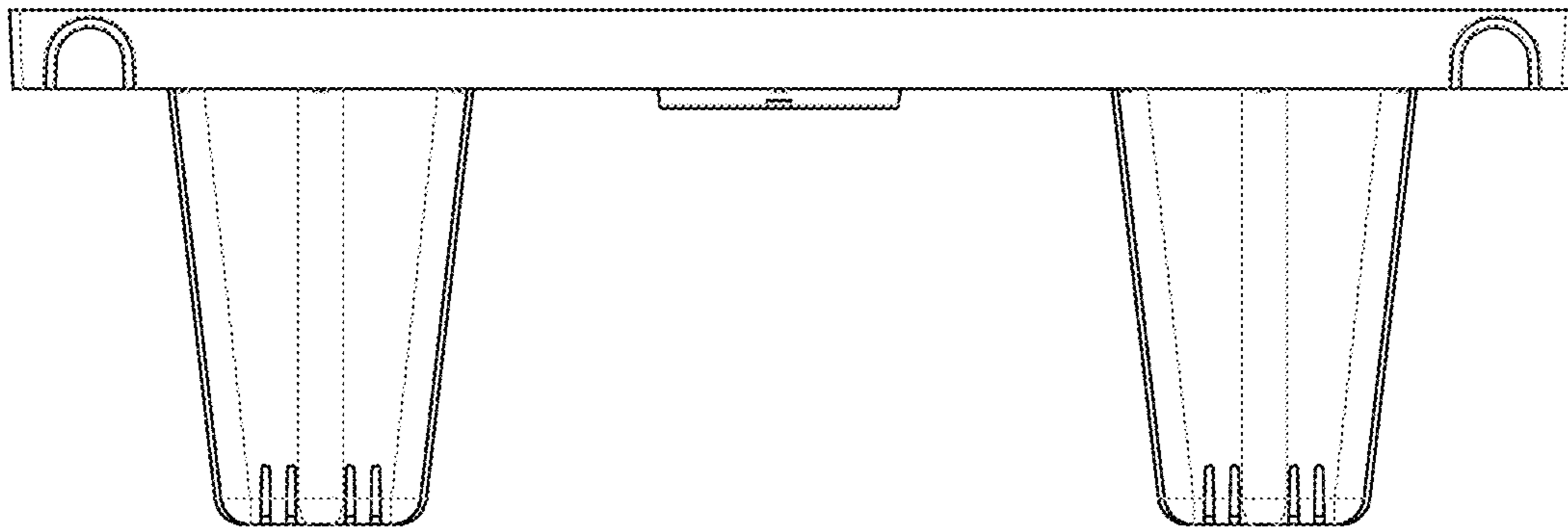


FIG. 2

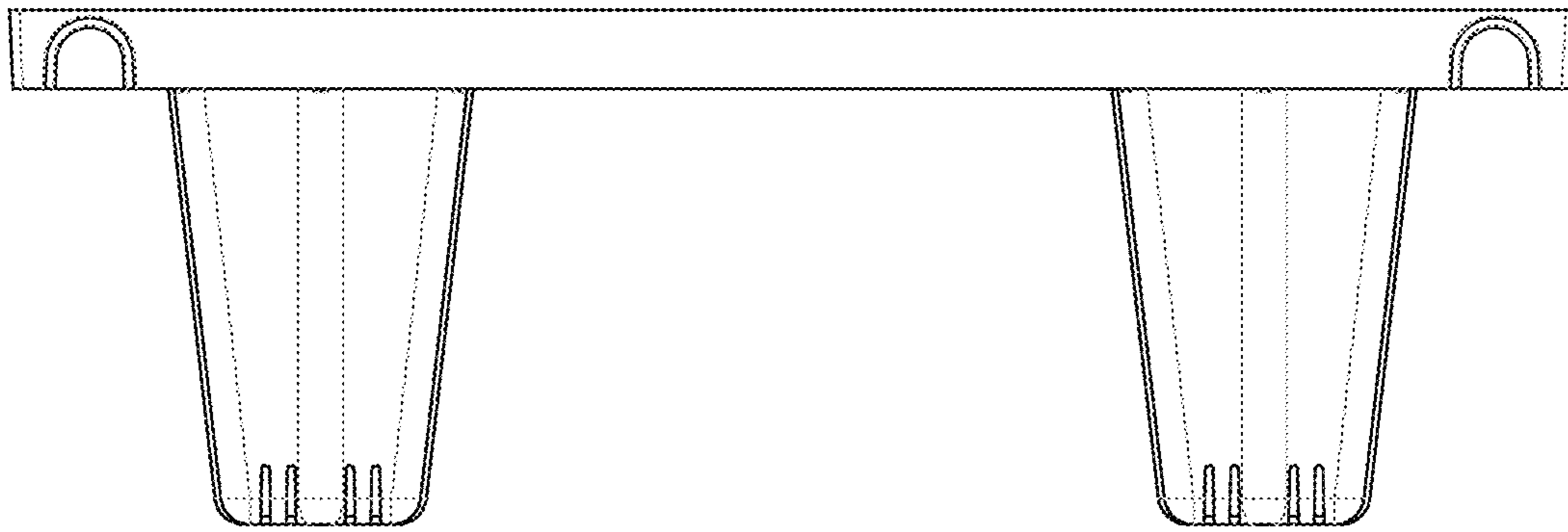


FIG. 3

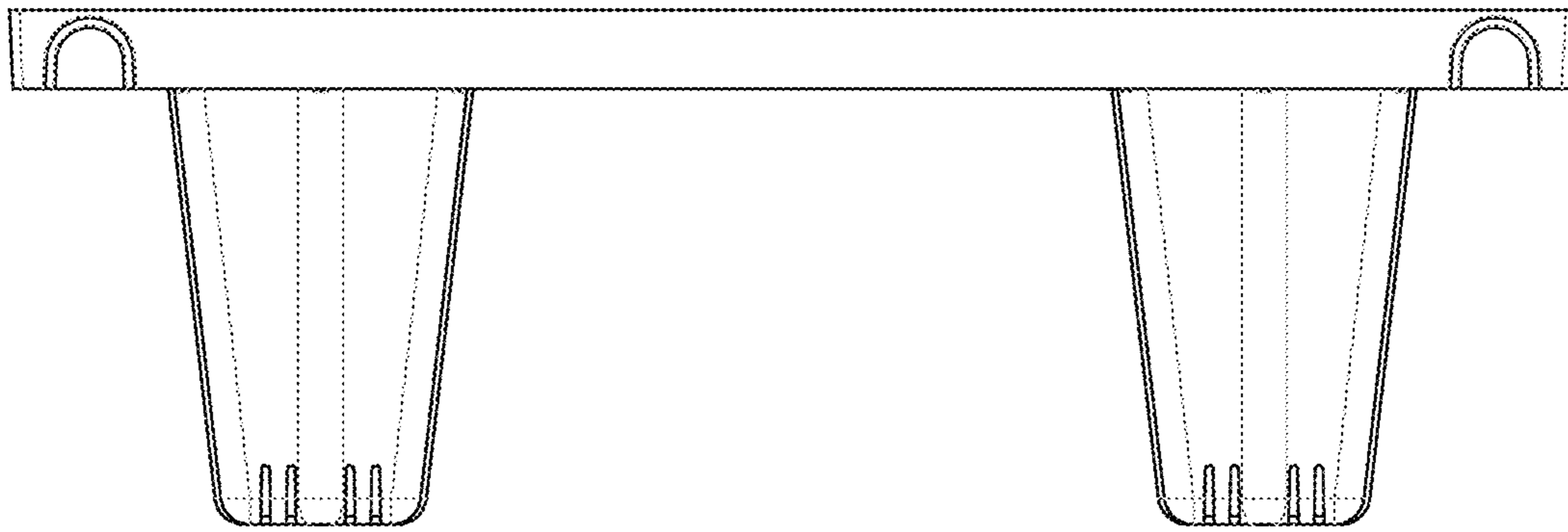


FIG. 4

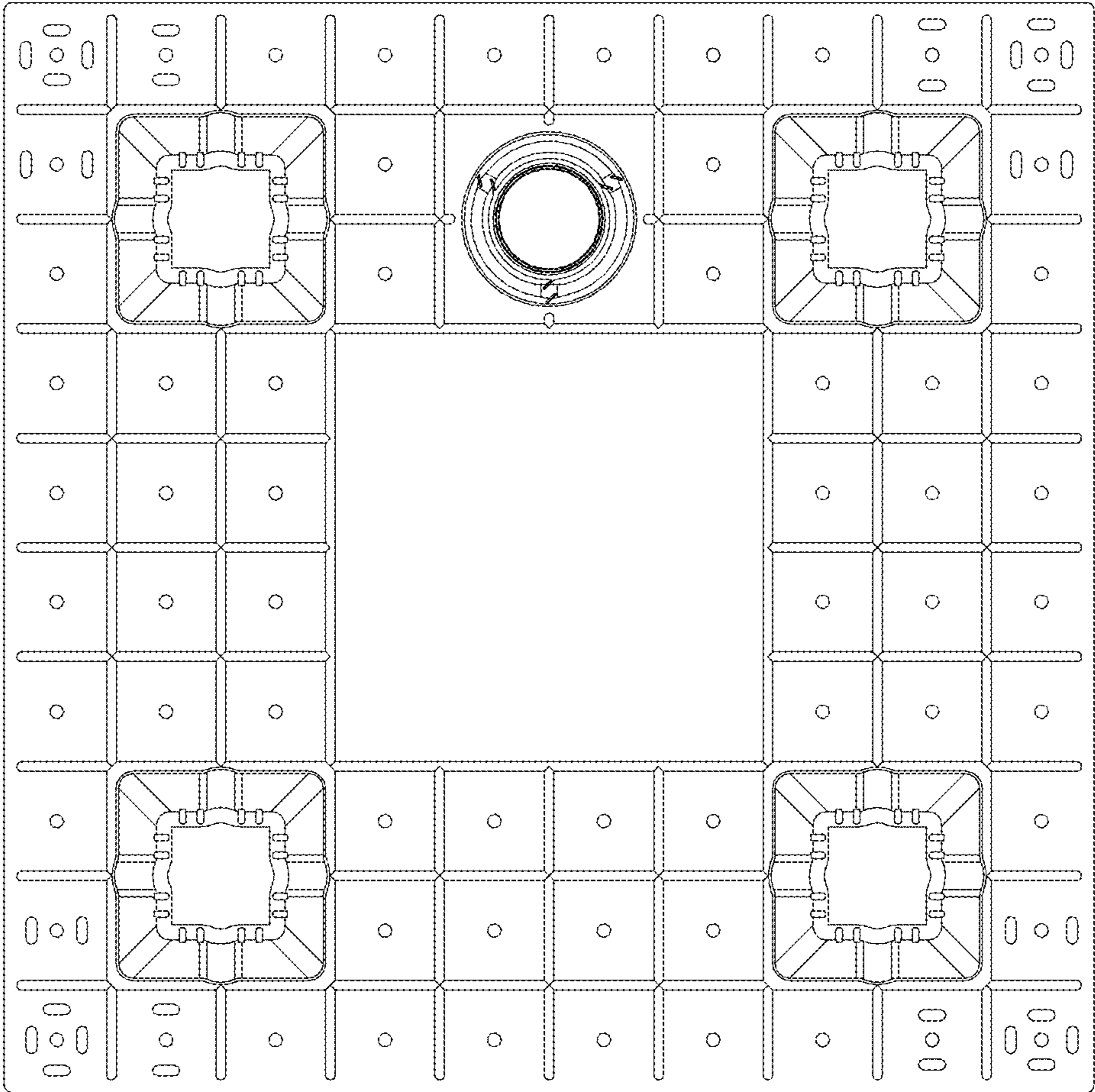


FIG. 5

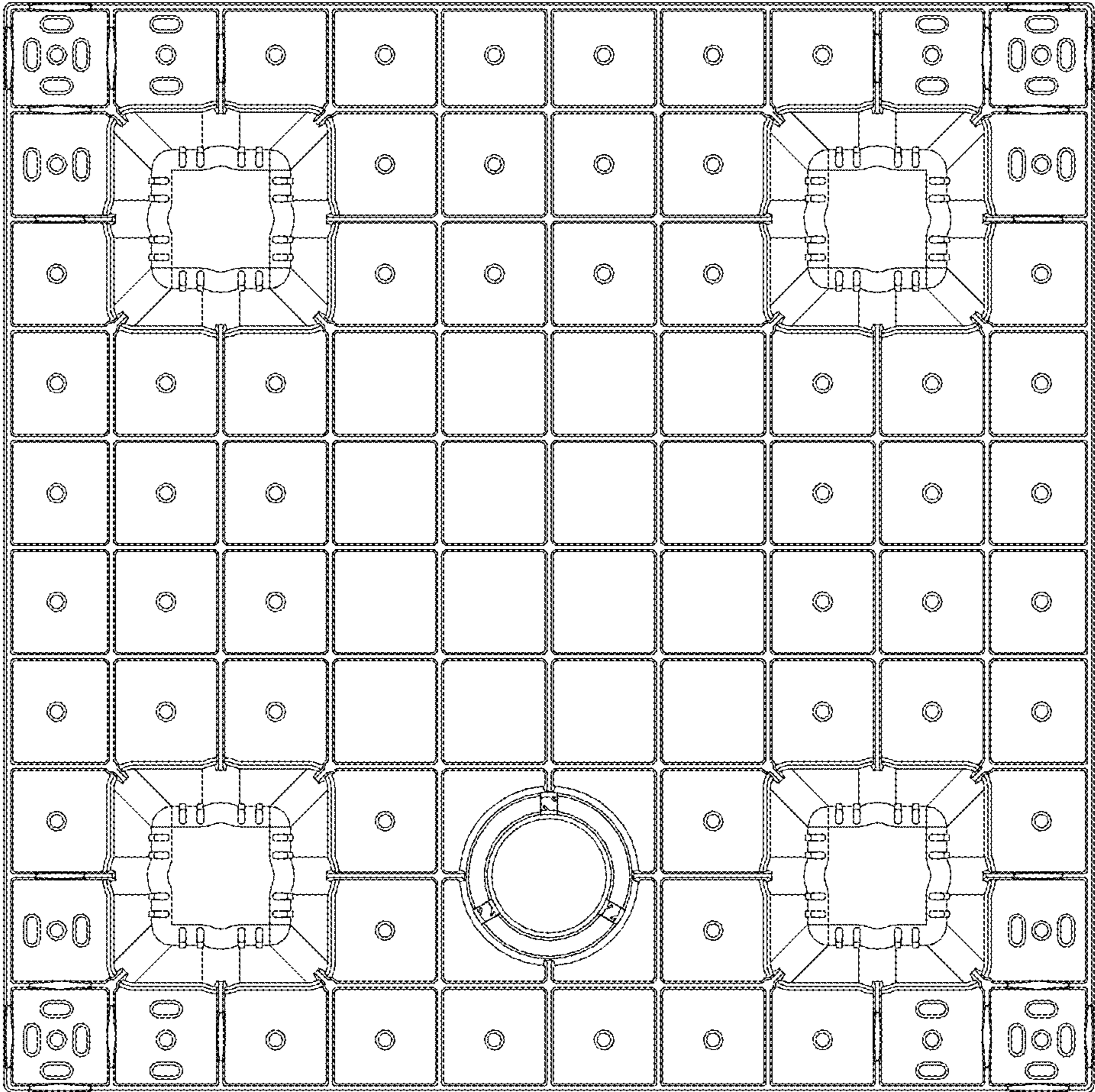


FIG. 6



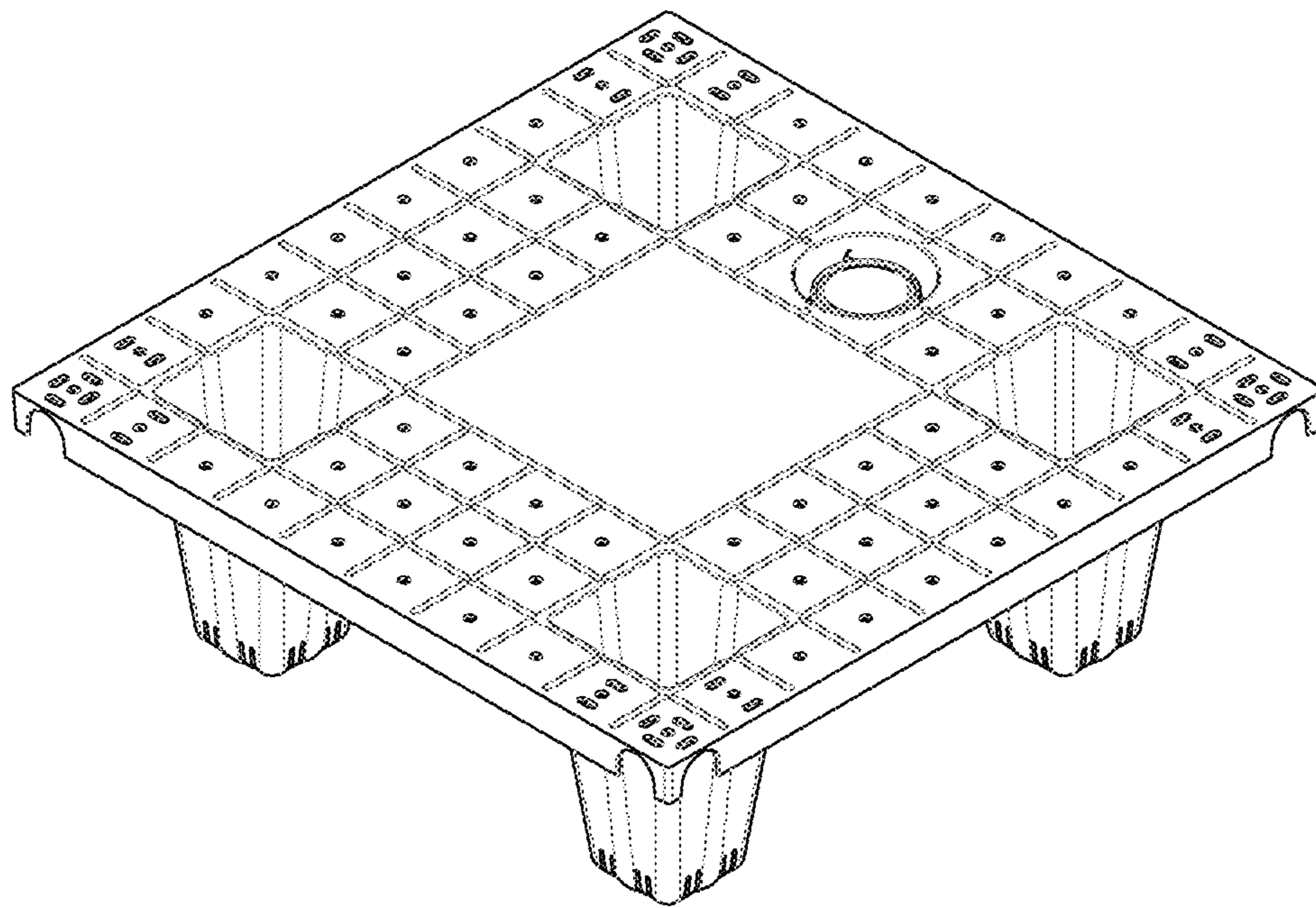


FIG. 7

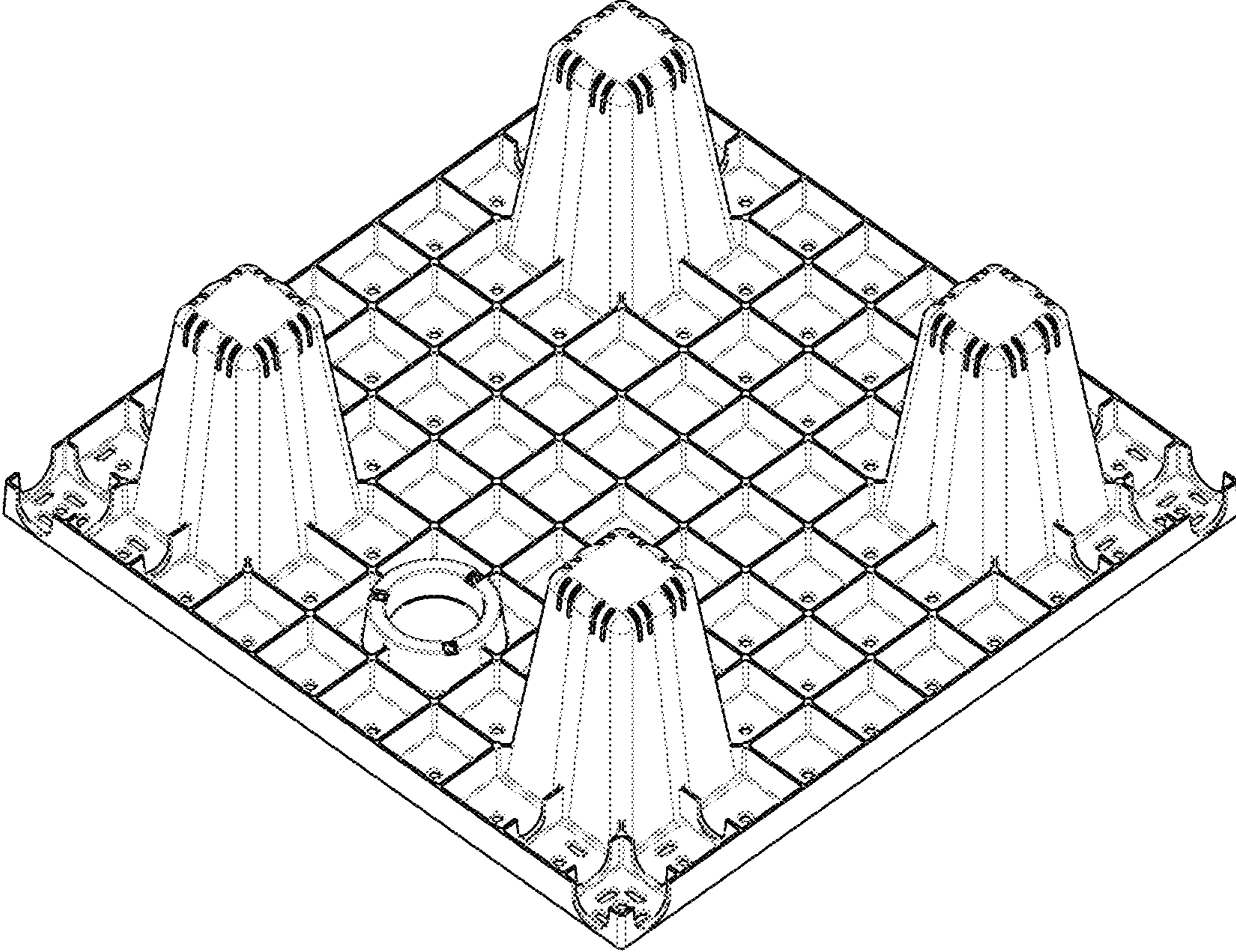


FIG. 8