



US00D871955S

(12) **United States Design Patent**
Naqvi

(10) **Patent No.:** **US D871,955 S**
(45) **Date of Patent:** **** Jan. 7, 2020**

- (54) **WRISTBAND**
- (71) Applicant: **Naqvi Enterprises, LLC**, Trumbull, CT (US)
- (72) Inventor: **Amanda Lynne Naqvi**, Shelton, CT (US)
- (73) Assignee: **Naqvi Enterprises, LLC**, Trumbull, CT (US)
- (**) Term: **15 Years**
- (21) Appl. No.: **29/649,576**
- (22) Filed: **May 31, 2018**

- D158,918 S * 6/1950 Winn D10/32
 - D175,089 S * 7/1955 Newmark D11/3
 - D176,877 S * 2/1956 Newmark D11/3
 - 3,348,388 A * 10/1967 Elliott A44C 5/0092
63/1.17
 - D244,197 S * 5/1977 Ostroll D6/328
 - D293,561 S * 1/1988 Bulgari D11/3
 - 4,936,699 A * 6/1990 Yoshida A44C 5/00
D11/3
 - 5,283,969 A * 2/1994 Weiss G09F 3/005
63/3
 - D344,624 S * 3/1994 Schnell D2/629
 - D349,468 S * 8/1994 Souren D11/3
- (Continued)

Primary Examiner — L. Martinez
(74) *Attorney, Agent, or Firm* — Wiggin and Dana LLP;
Gregory S. Rosenblatt; Thomas M. Landman

Related U.S. Application Data

- (62) Division of application No. 29/585,220, filed on Nov. 22, 2016, now Pat. No. Des. 821,248.
- (51) **LOC (12) Cl.** **11-01**
- (52) **U.S. Cl.**
USPC **D11/6**
- (58) **Field of Classification Search**
USPC D11/1-33; D14/344
CPC A44C 5/00; A44C 5/0007; A44C 5/0015;
A44C 5/0023; A44C 5/003; A44C
5/0053; A44C 5/12; A44C 5/14; A44C
5/142; A44C 5/147; A44C 5/16; A44C
5/18; A44C 5/0084; A44C 13/00; A44C
25/007; A44C 15/00; A44C 15/0015;
A44C 15/002; A44C 15/0025; A44C
15/003; A44C 15/004
See application file for complete search history.

(57) **CLAIM**

The ornamental design for a wristband, as shown and described.

DESCRIPTION

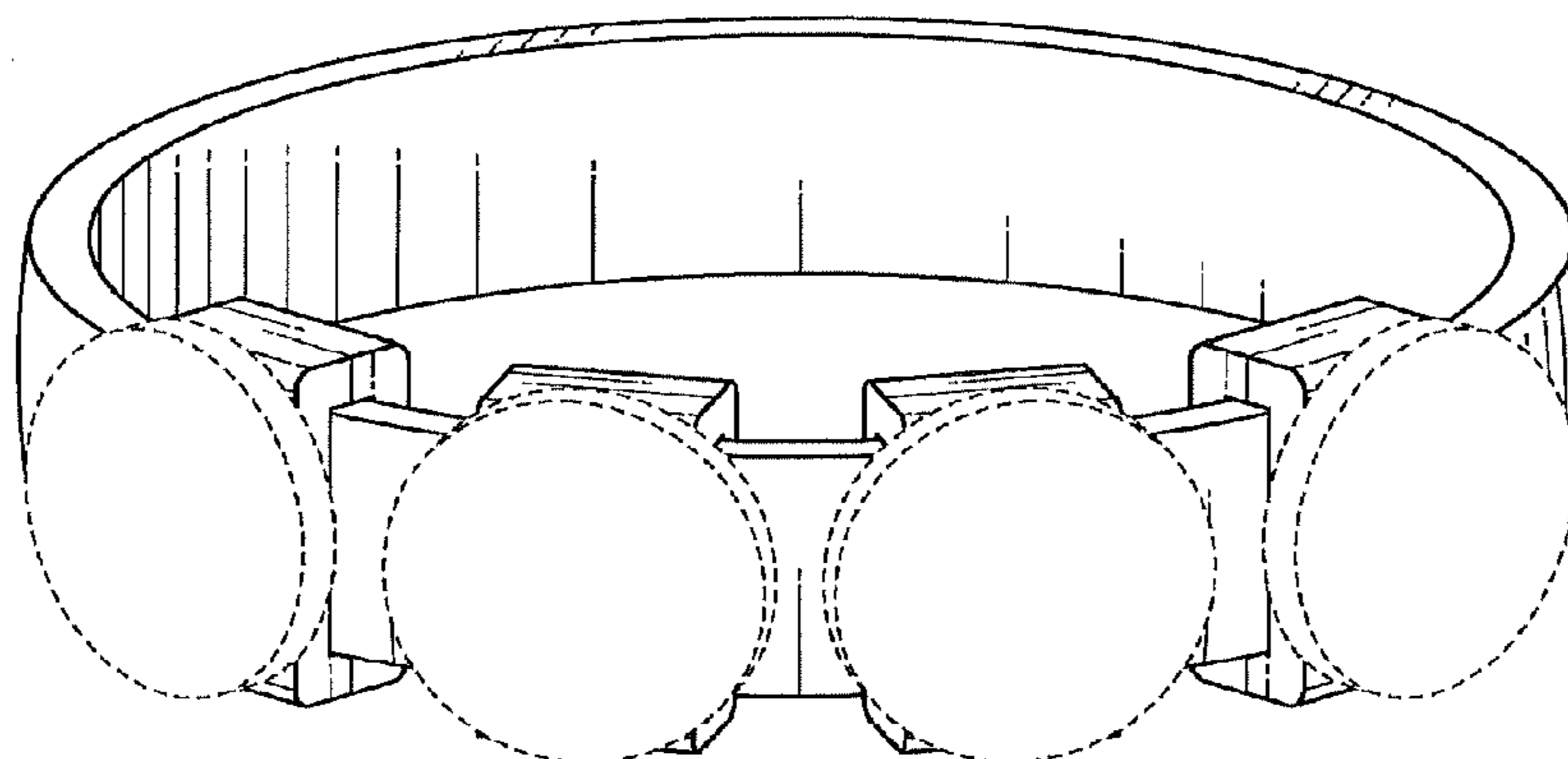
FIG. 1 is a top perspective view of a wristband, showing my new design with attached articles;
 FIG. 2 is a front view thereof;
 FIG. 3 is a side view thereof;
 FIG. 4 is a top plan view thereof;
 FIG. 5 is a bottom plan view thereof;
 FIG. 6 is a bottom perspective view thereof;
 FIG. 7 is a top perspective view of the wristband of FIG. 1, wherein the articles have been detached for clarity of illustration;
 FIG. 8 is a top perspective view of one of the articles of the design of FIG. 1; and,
 FIG. 9 is a bottom perspective view of one of the articles of the design of FIG. 1.
 The broken lines in the drawings illustrate portions of the wristband that form no part of the claimed design.

(56) **References Cited**

U.S. PATENT DOCUMENTS

- D47,148 S * 3/1915 Wells D11/4
- D55,788 S * 7/1920 Griffin D11/6
- 2,378,755 A * 6/1945 Dowling A44C 5/00
D11/11
- D148,671 S * 2/1948 Babin D11/5

1 Claim, 3 Drawing Sheets



US D871,955 S

Page 2

(56)

References Cited

U.S. PATENT DOCUMENTS

5,816,072	A *	10/1998	Michaels	A44C 5/025	63/11
D470,937	S *	2/2003	Gary	D8/395	
D495,267	S *	8/2004	Pachachi	D11/5	
D497,566	S *	10/2004	Pucci	D11/11	
6,880,364	B1 *	4/2005	Vidolin	A44C 5/025	63/40
D505,353	S *	5/2005	Del Valle	D11/3	
D547,227	S *	7/2007	Del Valle	D11/3	
7,331,707	B2 *	2/2008	DelValle	A44C 5/0015	116/308
D591,633	S *	5/2009	Del Valle	D11/3	
D597,881	S *	8/2009	Hou	D11/3	
D616,615	S *	5/2010	Alvarenga	D30/152	
D645,775	S *	9/2011	Adkins	D11/3	
D656,056	S *	3/2012	Outland	D11/79	
D676,313	S *	2/2013	Zimmerer	D8/394	
D676,737	S *	2/2013	Zimmerer	D8/394	
8,474,284	B2 *	7/2013	Rush	A44C 5/003	63/11
D694,662	S *	12/2013	Buckley	D11/3	
D707,584	S *	6/2014	Webb	D11/87	
D712,773	S *	9/2014	Mounce	D11/4	
D714,178	S *	9/2014	Sabbioni	D11/3	
D722,902	S *	2/2015	Mihalyo	D11/3	
D733,605	S *	7/2015	Soehn	D11/3	
9,538,818	B2 *	1/2017	Zannella	A44C 5/0007	
D821,248	S *	6/2018	Naqvi	D11/3	
D831,523	S *	10/2018	Barley	D11/4	
2008/0250815	A1 *	10/2008	Wachler	A44C 13/00	63/1.15
2009/0007597	A1 *	1/2009	Hanevold	A44C 5/0015	63/1.14
2009/0031757	A1 *	2/2009	Harding	A44C 5/003	63/3.2
2010/0300147	A1 *	12/2010	Farmer	A44C 15/0015	63/3.1
2011/0061424	A1 *	3/2011	Gupta	A44C 5/0015	63/1.13
2011/0254225	A1 *	10/2011	Doherty	A44C 15/0025	63/1.18
2013/0074545	A1 *	3/2013	Moloney	A44C 5/0053	63/3.1
2013/0271964	A1 *	10/2013	Rife	A44C 15/0015	362/104
2014/0090418	A1 *	4/2014	Mihalyo	A44C 5/0007	63/3
2015/0089975	A1 *	4/2015	Paleschuck	G09F 23/00	63/1.13
2015/0096328	A1 *	4/2015	Schwartz	A44C 15/0015	63/1.13
2015/0157099	A1 *	6/2015	Kibel	A44C 25/007	428/99
2015/0257498	A1 *	9/2015	White	A44C 25/007	24/3.1
2016/0316837	A1 *	11/2016	Acton	A44C 15/0015	
2016/0353846	A1 *	12/2016	Zanghi	A44C 5/0053	
2017/0224070	A1 *	8/2017	Simones	A44C 25/007	
2018/0144648	A1 *	5/2018	Naqvi	A44C 5/0015	
2018/0190084	A1 *	7/2018	Mandlakazi	A44C 5/0015	
2018/0201055	A1 *	7/2018	Fischer	A44C 5/0007	

* cited by examiner

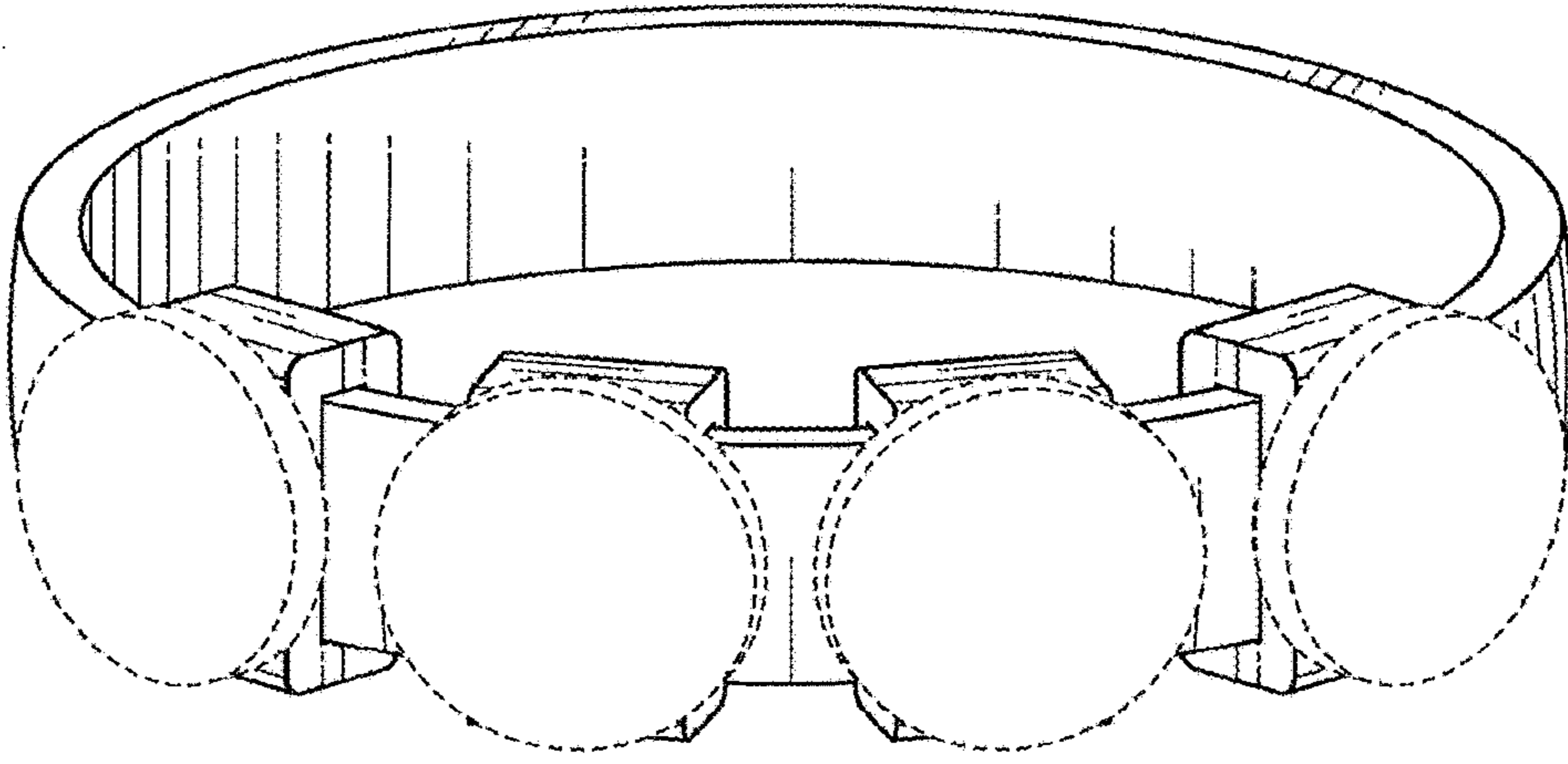


FIG. 1

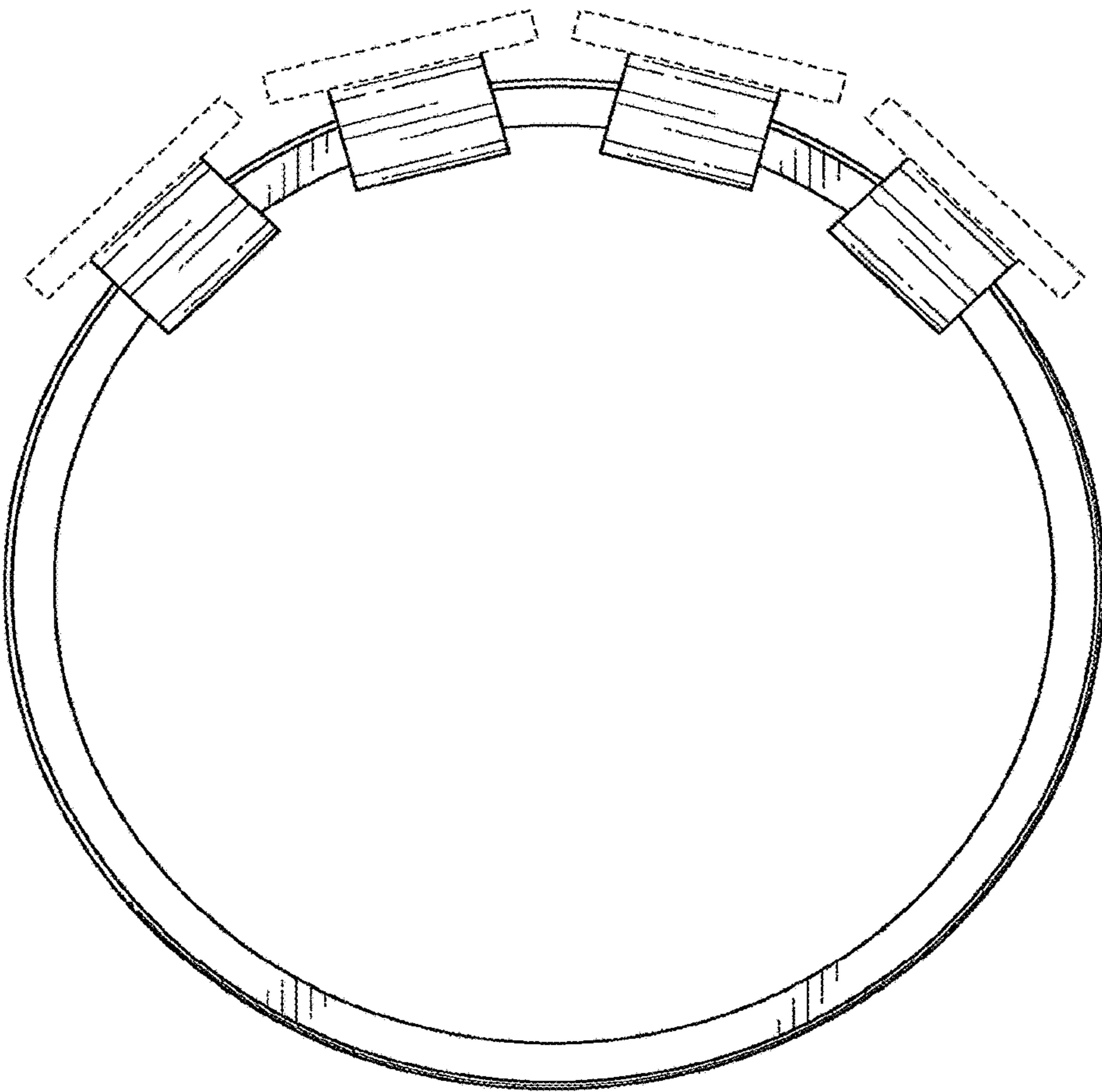


FIG. 2

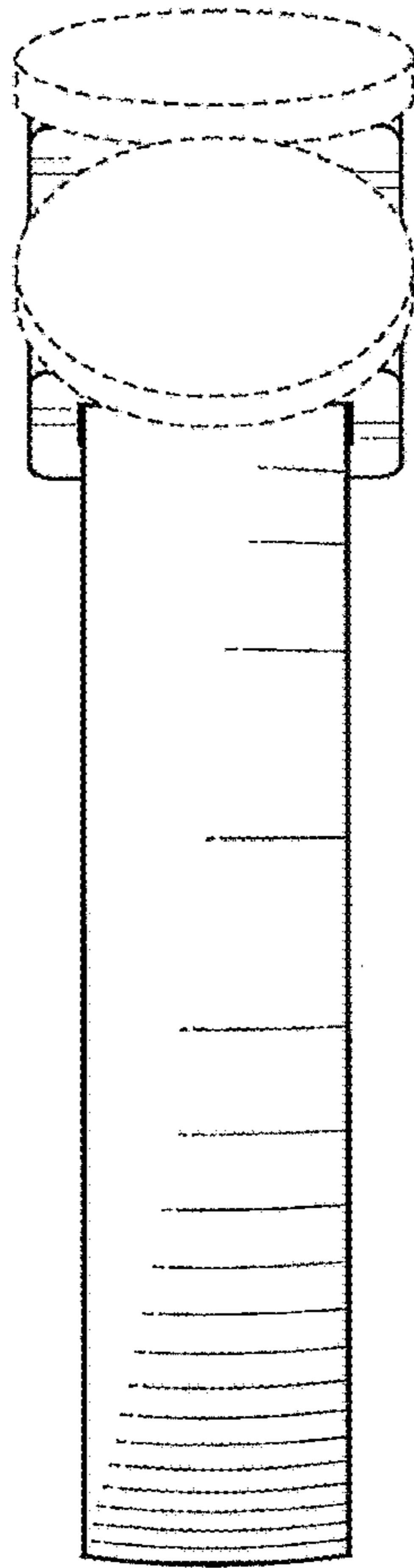


FIG. 3

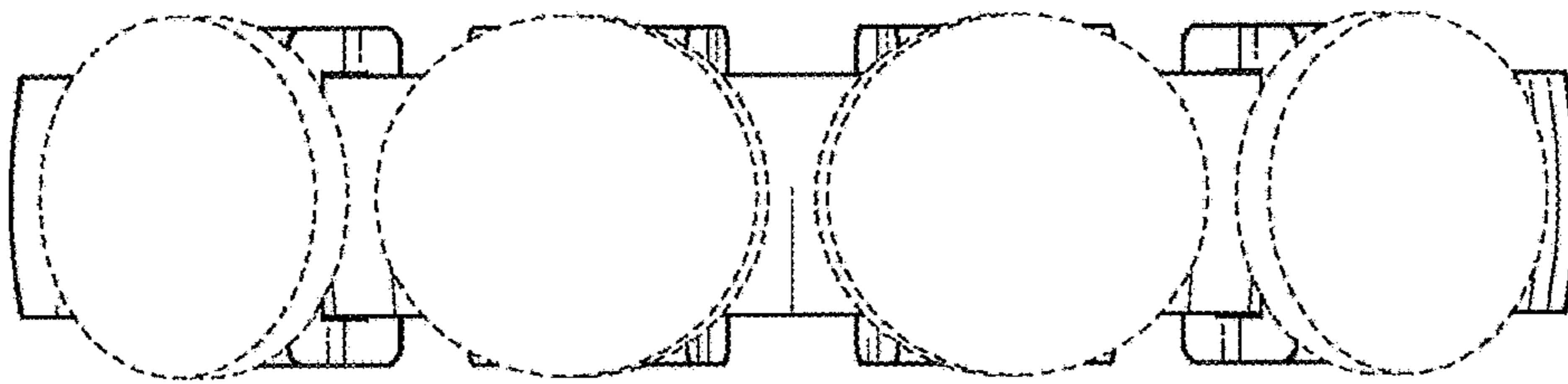


FIG. 4

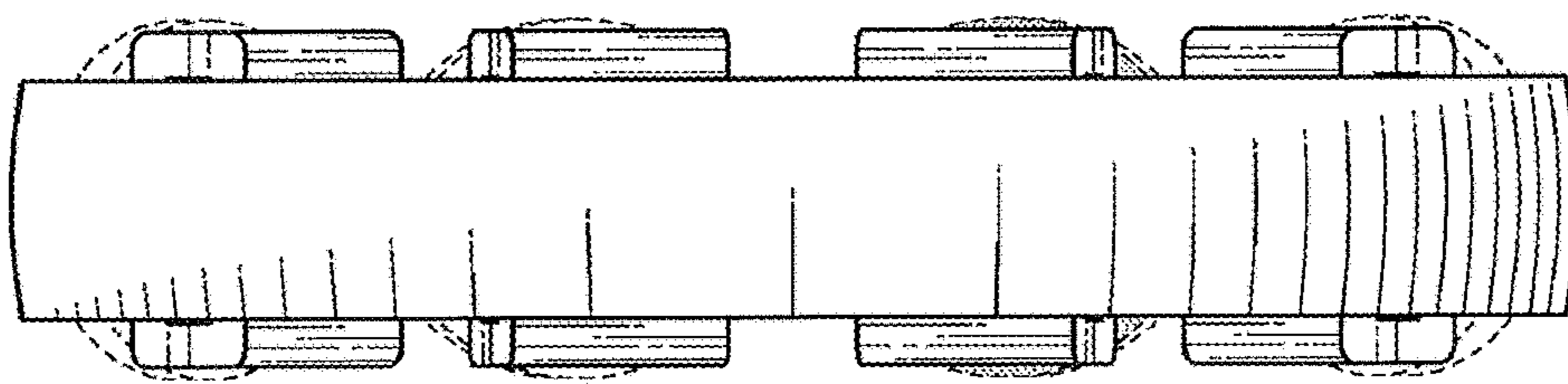


FIG. 5

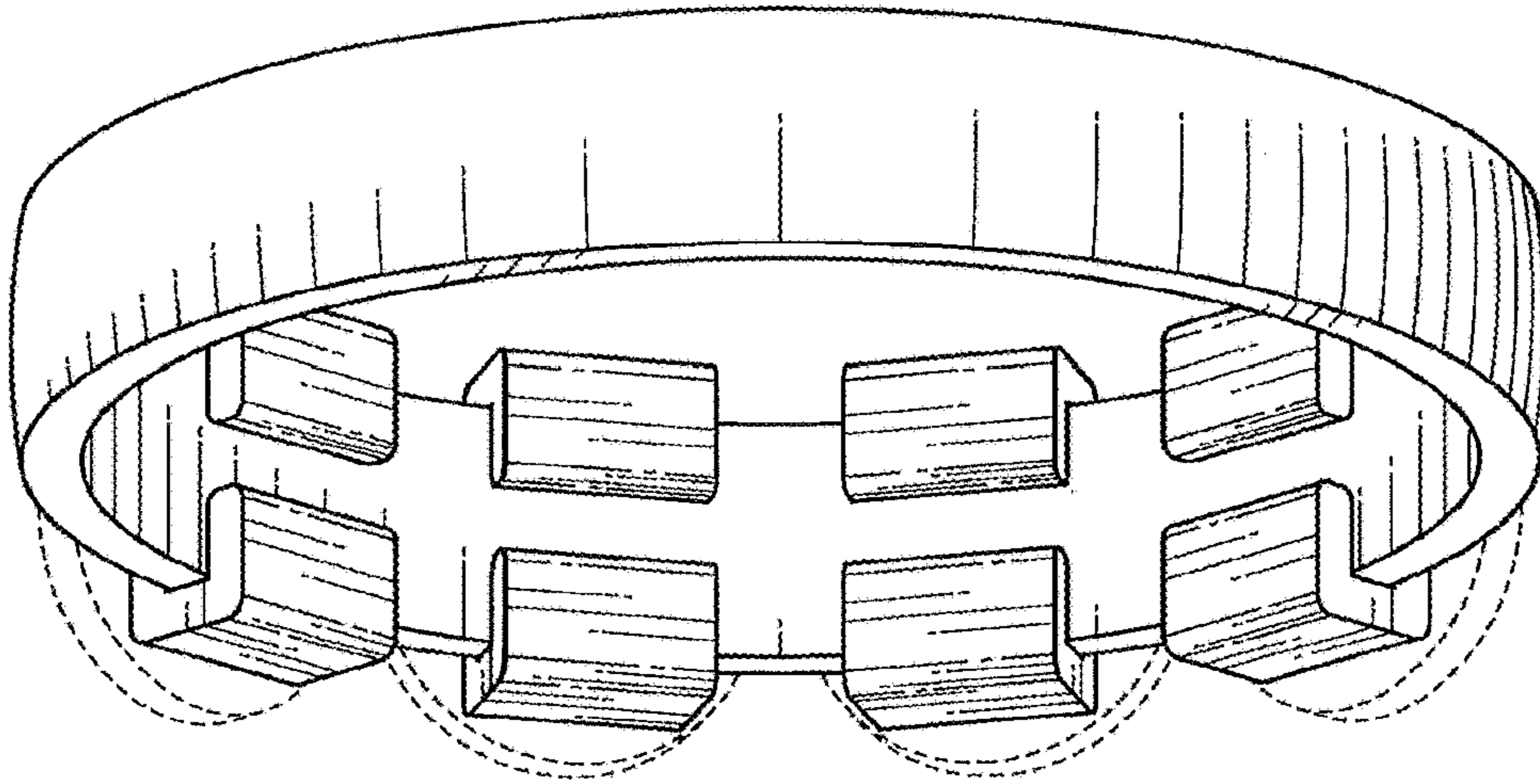


FIG. 6

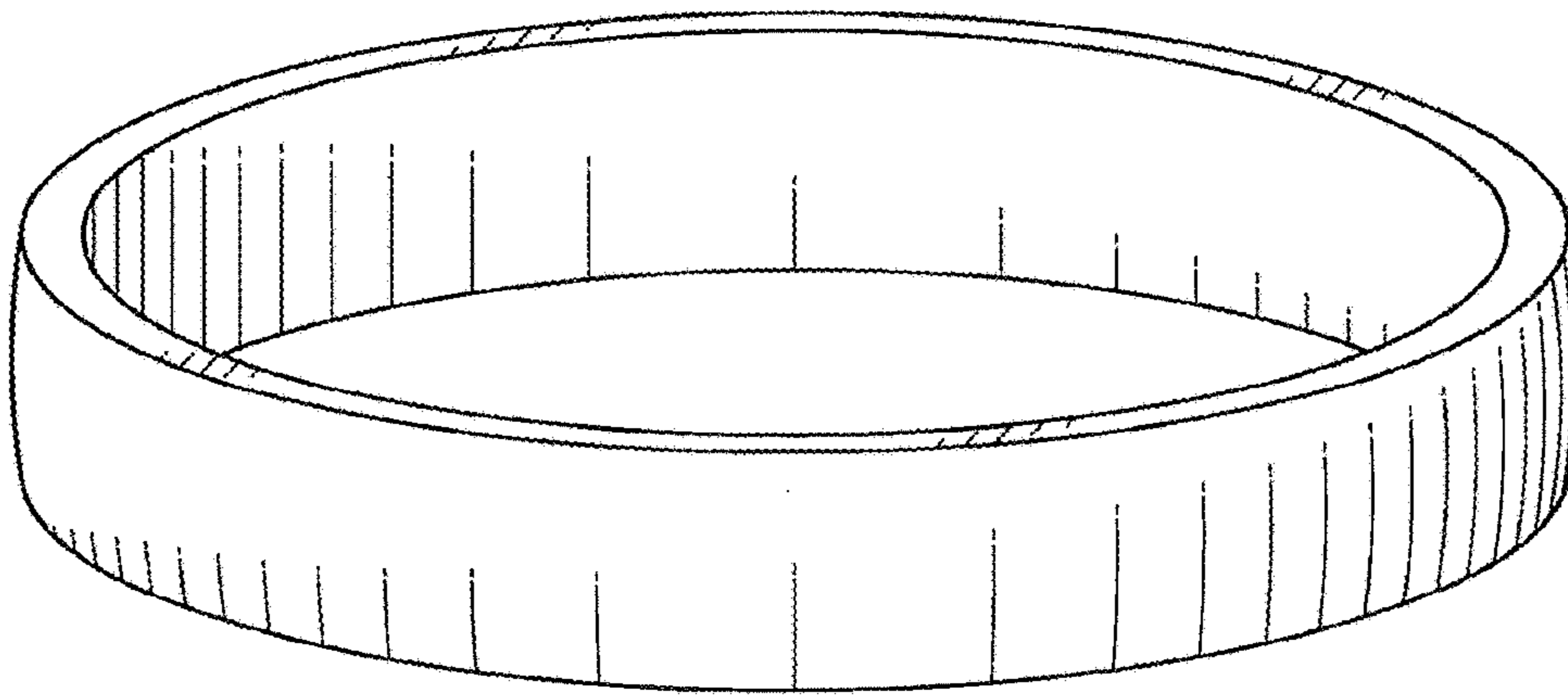


FIG. 7

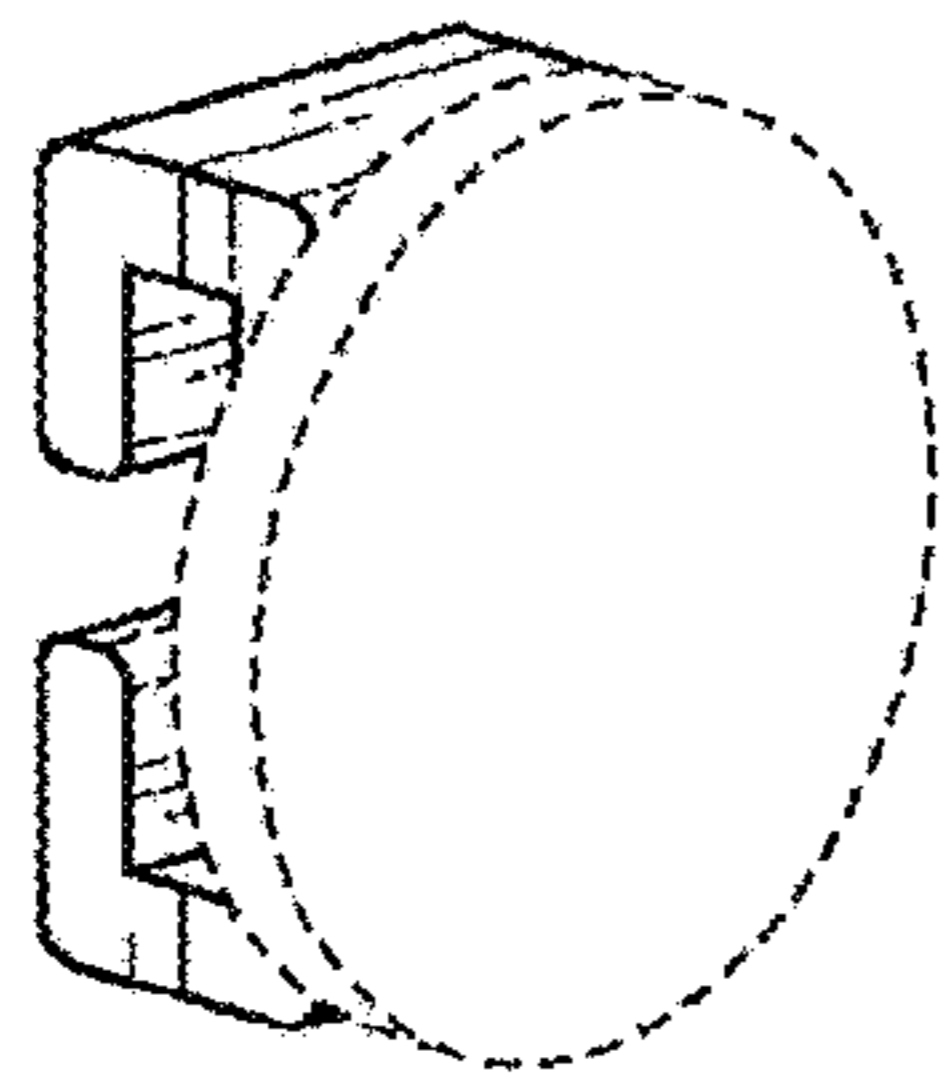


FIG. 8

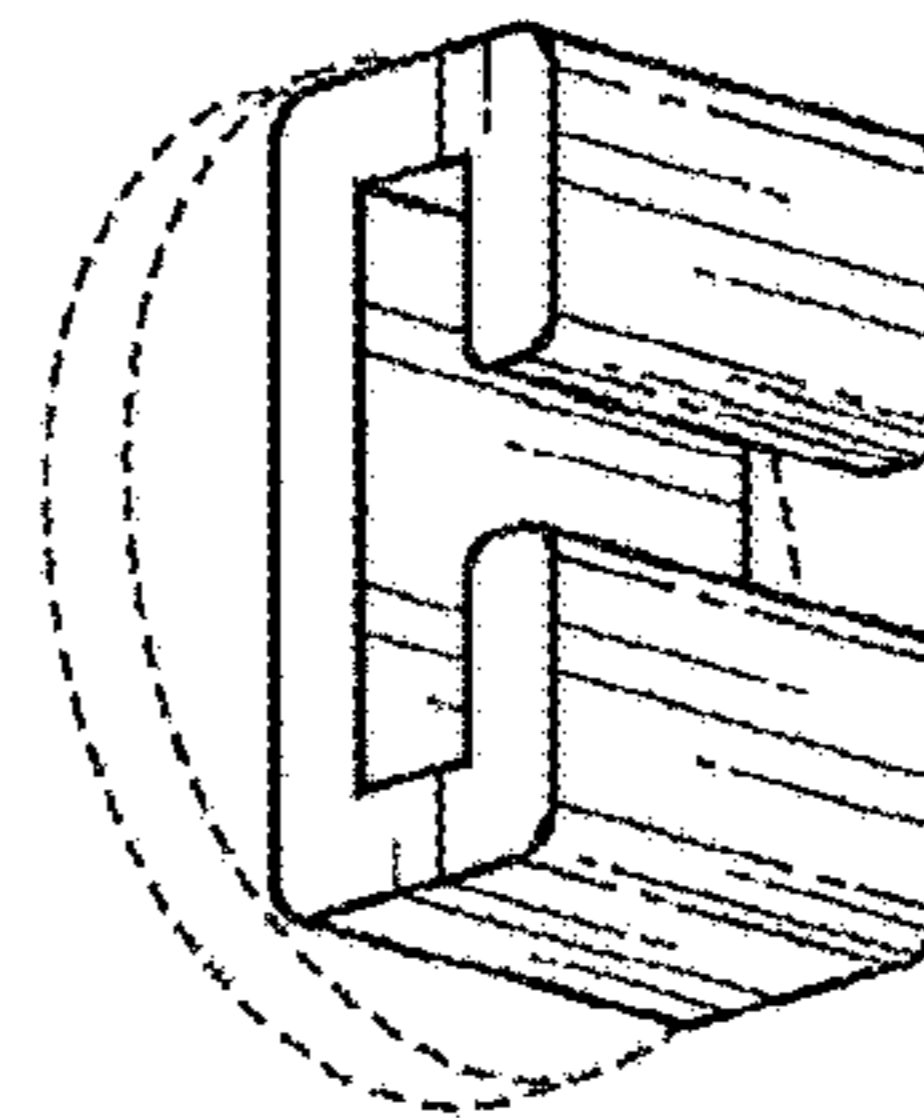


FIG. 9