



US00D871954S

(12) **United States Design Patent**  
**Foster**

(10) **Patent No.:** **US D871,954 S**  
(45) **Date of Patent:** **\*\* Jan. 7, 2020**

(54) **BRACELET**

(71) Applicant: **Susan Foster**, New York, NY (US)

(72) Inventor: **Susan Foster**, New York, NY (US)

(73) Assignee: **Susan Foster**, New York, NY (US)

(\*\*) Term: **15 Years**

(21) Appl. No.: **29/625,794**

(22) Filed: **Nov. 13, 2017**

(51) **LOC (12) Cl.** ..... **11-01**

(52) **U.S. Cl.**  
USPC ..... **D11/4**

(58) **Field of Classification Search**  
USPC ..... D11/1-6, 16, 26-29, 34, 40-43, 44, 50  
CPC ... A44C 5/0015; A44C 5/0084; A44C 5/0092;  
A44C 5/12; A44C 15/00; A44C 15/001;  
A44C 15/002; A44C 7/00; A44C 7/001;  
A44C 7/002; A44C 7/003; A44C 9/00;  
A44C 9/0038

See application file for complete search history.

(56) **References Cited**

**U.S. PATENT DOCUMENTS**

240,496	A	*	4/1881	Appel et al. ....	A44C 17/001
					D11/37
D262,171	S	*	12/1981	Lustig .....	D11/4
D293,561	S	*	1/1988	Bulgari .....	D11/3
D319,035	S	*	8/1991	Kruse .....	D11/27
D363,893	S	*	11/1995	Avakian .....	D11/4
D374,837	S	*	10/1996	Austin .....	D11/40
D394,411	S	*	5/1998	Gozlan .....	D11/4
D472,497	S	*	4/2003	Bonnet .....	D11/40
D473,155	S	*	4/2003	Bonnet .....	D11/26
D482,982	S	*	12/2003	McAnally .....	D11/4
D503,902	S	*	4/2005	Shelton .....	D11/4
D514,467	S	*	2/2006	Della Valle .....	D11/4
D520,396	S	*	5/2006	Park .....	D11/4

D528,456	S	*	9/2006	Thompson .....	D11/27
D533,802	S	*	12/2006	Thompson .....	D11/27
D535,210	S	*	1/2007	Park .....	D11/27
D718,171	S	*	11/2014	Fakesch .....	D11/3
D737,166	S	*	8/2015	Aumiller .....	D11/3
D738,771	S	*	9/2015	Devries .....	D11/3
D757,592	S	*	5/2016	Martensson .....	D11/4
D808,844	S	*	1/2018	Lee-Hearn .....	D11/5
D832,734	S	*	11/2018	Warren .....	D11/26
D845,813	S	*	4/2019	Foster .....	D11/3
D845,814	S	*	4/2019	Foster .....	D11/3
D845,815	S	*	4/2019	Foster .....	D11/3
2005/0034481	A1	*	2/2005	Saltz .....	A44C 5/0023
					63/3

(Continued)

*Primary Examiner* — L. Martinez

(74) *Attorney, Agent, or Firm* — Buckley, Maschoff & Talwalkar LLC

(57) **CLAIM**

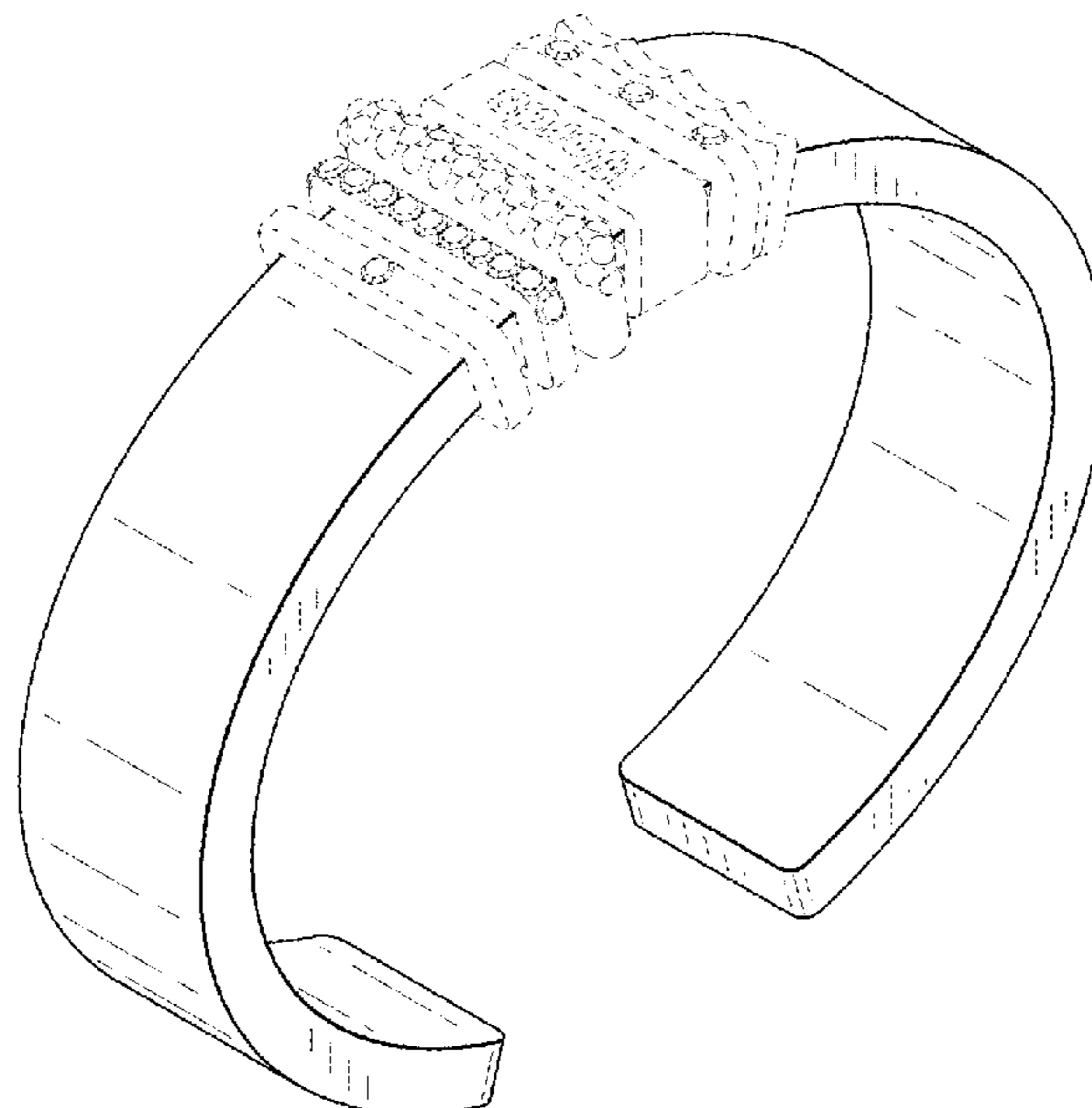
The ornamental design for a bracelet, as shown and described.

**DESCRIPTION**

FIG. 1 is a top perspective view of a bracelet in accordance with the present design;  
FIG. 2 is a bottom perspective view of the bracelet;  
FIG. 3 is a front view of the bracelet;  
FIG. 4 is a rear view of the bracelet;  
FIG. 5 is a first side view of the bracelet taken ninety degrees from the front view;  
FIG. 6 is a second side view of the bracelet taken ninety degrees from the front view;  
FIG. 7 is a top view of the bracelet; and,  
FIG. 8 is a bottom view of the bracelet.

The broken lines in the drawings represent portions of the bracelet that form no part of the claimed design. The other broken lines indicating text represent environmental subject matter only and form no part of the claimed design.

**1 Claim, 4 Drawing Sheets**



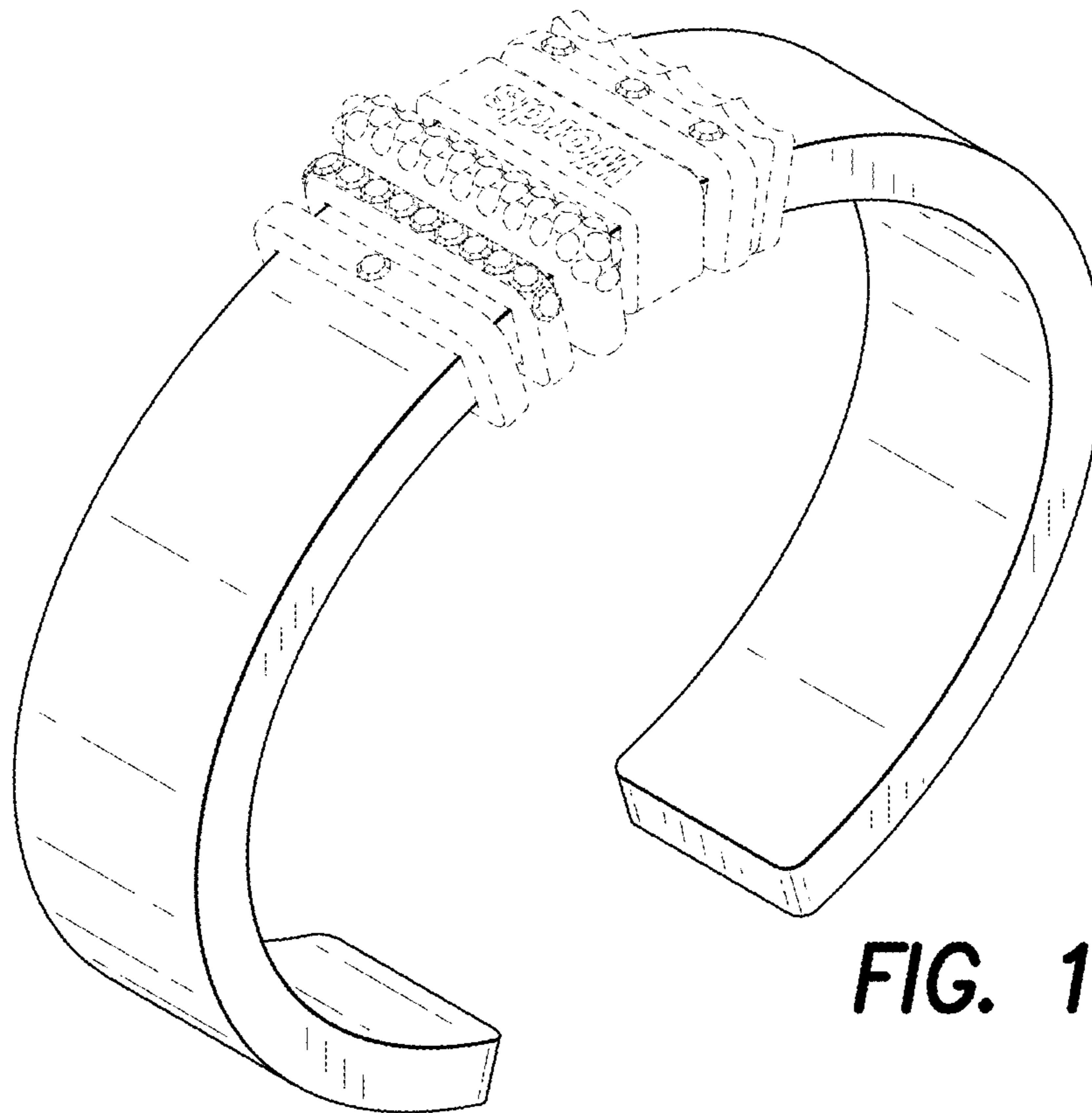
(56)

**References Cited**

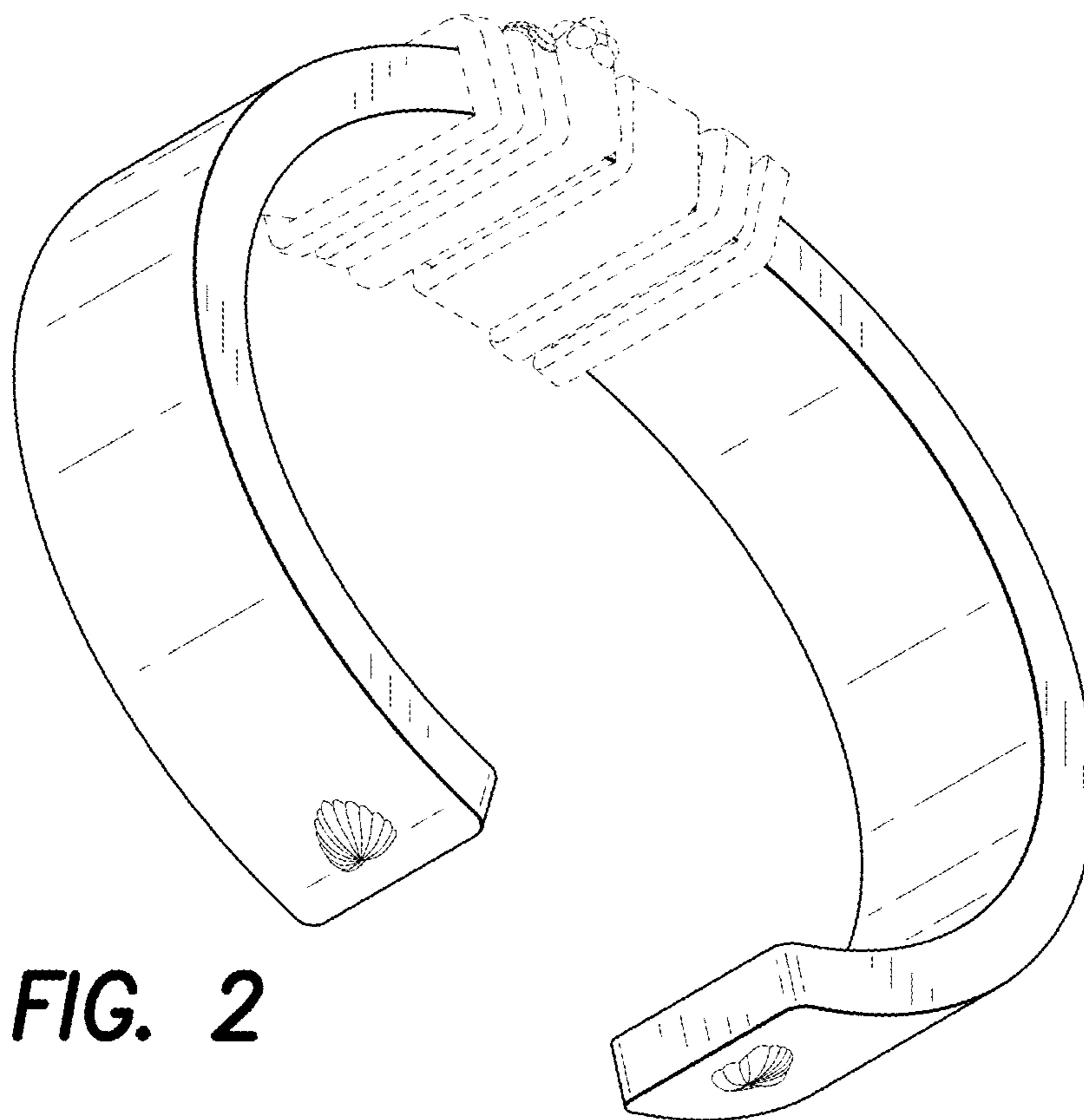
U.S. PATENT DOCUMENTS

2006/0185390 A1\* 8/2006 Pratt, Sr. .... A44C 5/0015  
63/11  
2018/0000205 A1\* 1/2018 Chinowsky ..... A44C 5/0084

\* cited by examiner

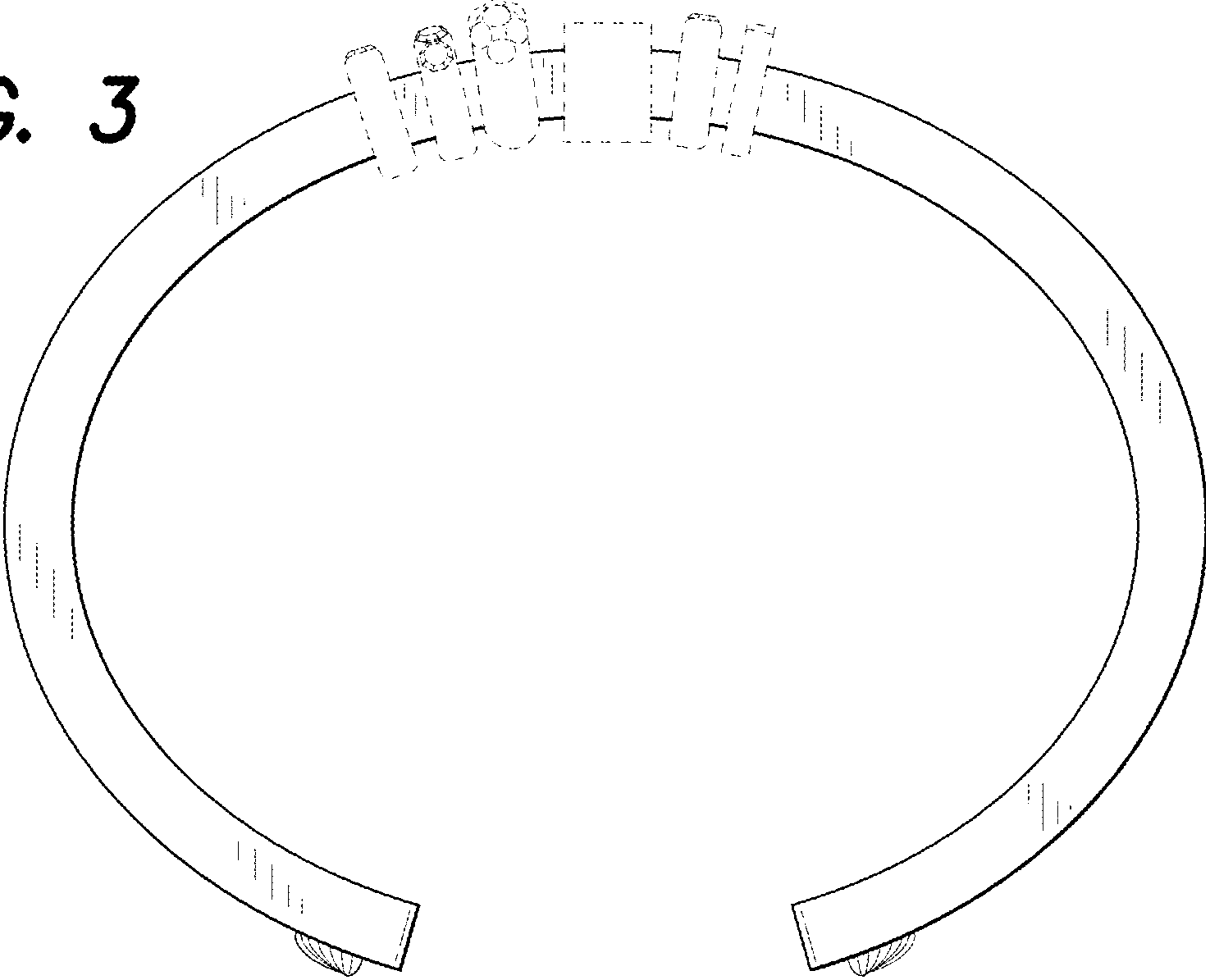


**FIG. 1**

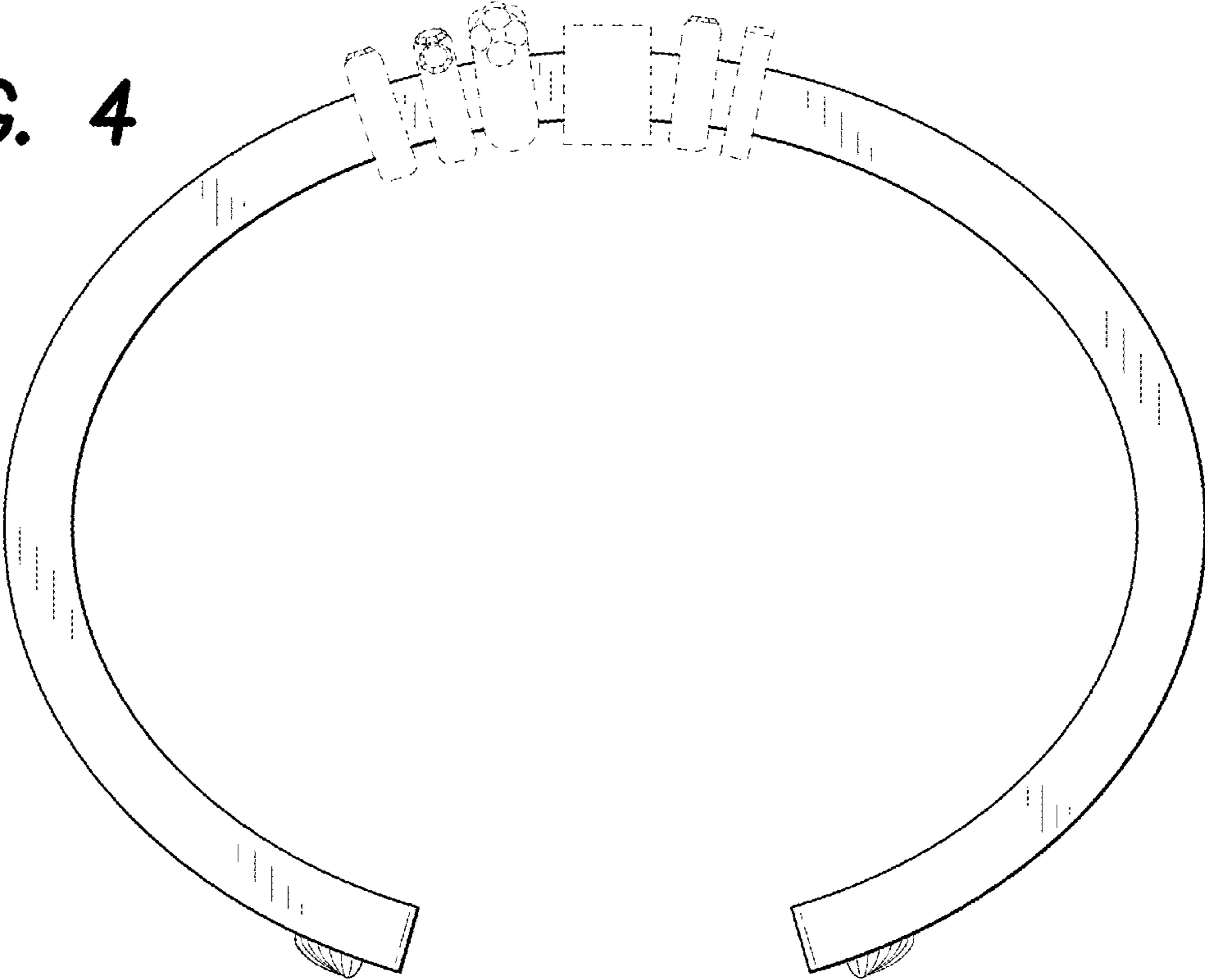


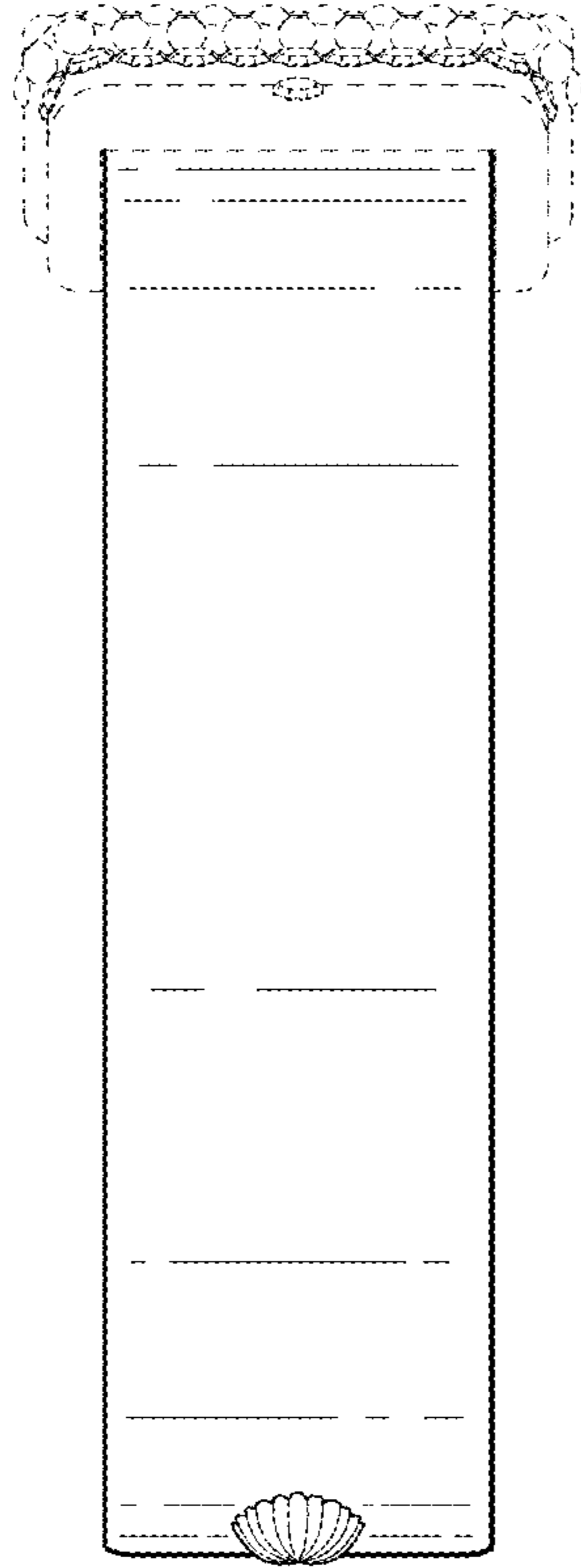
**FIG. 2**

**FIG. 3**

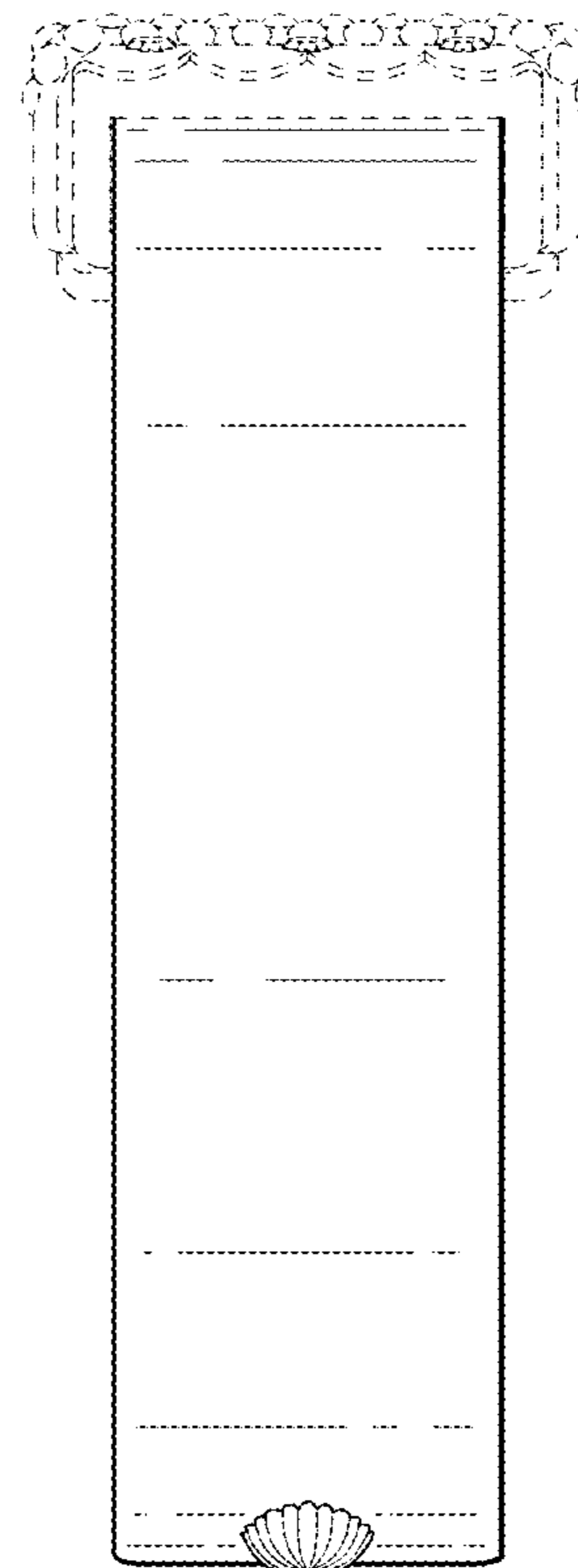


**FIG. 4**

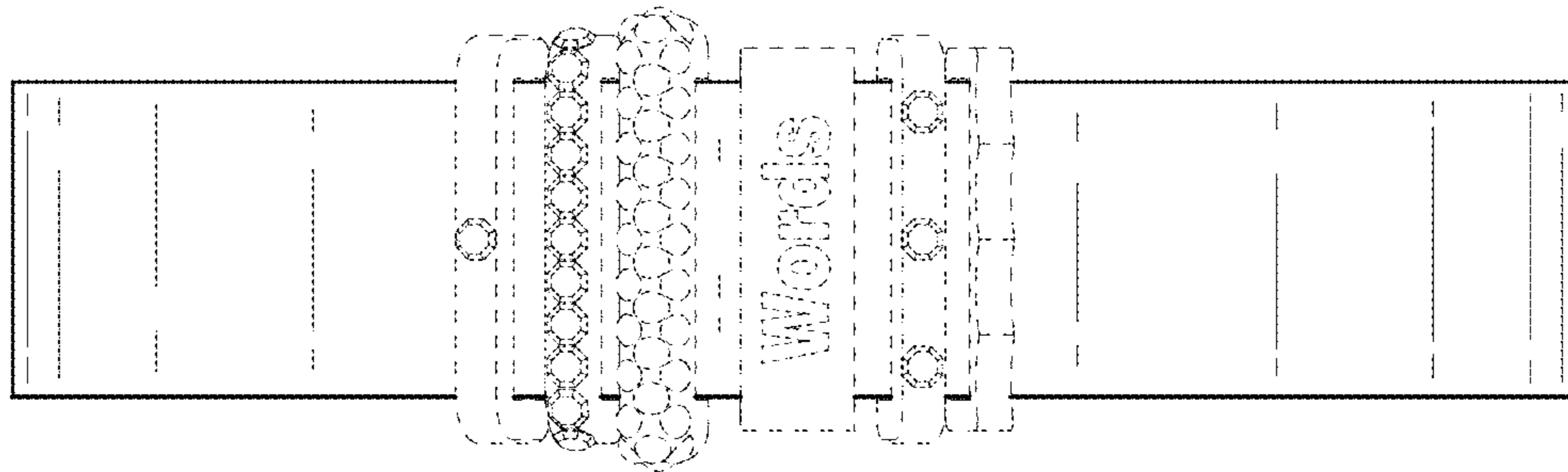




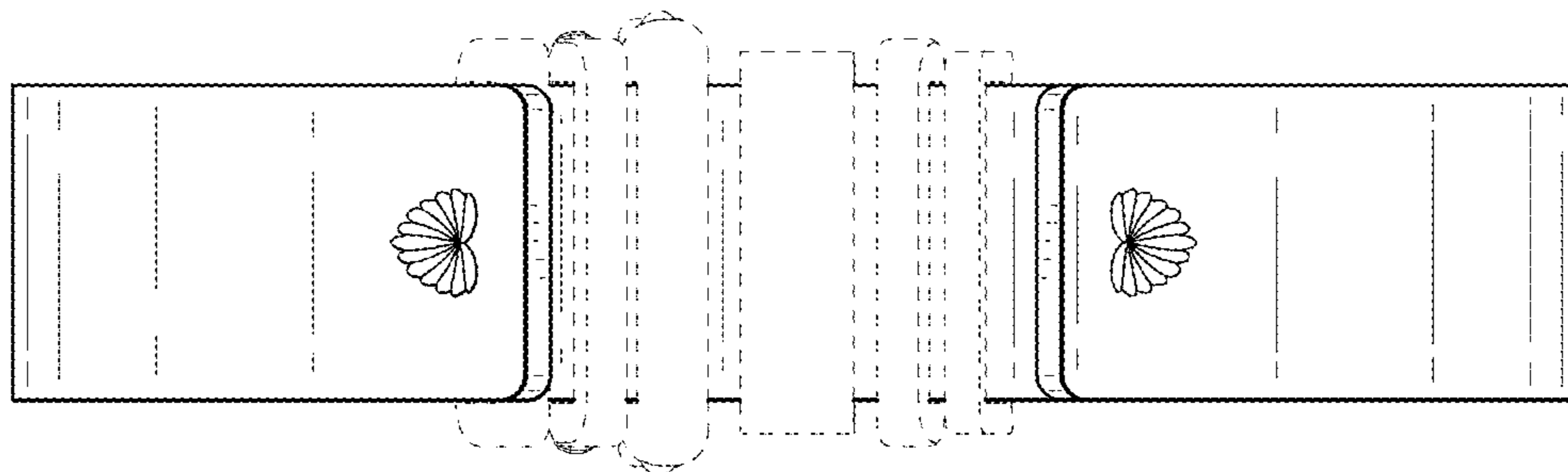
**FIG. 5**



**FIG. 6**



**FIG. 7**



**FIG. 8**