



US00D871953S

(12) **United States Design Patent**  
**Park et al.**

(10) **Patent No.:** **US D871,953 S**  
(45) **Date of Patent:** **\*\* Jan. 7, 2020**

(54) **WATCH BAND WITH A REFLECTIVE STRIP**

D378,807 S \* 4/1997 Houlihan ..... D11/3  
D379,327 S \* 5/1997 Navera ..... D11/3  
D379,774 S \* 6/1997 Riley ..... D11/3  
D379,940 S \* 6/1997 Riley ..... D11/3

(71) Applicant: **Fitbit, Inc.**, San Francisco, CA (US)

(72) Inventors: **Junyong Park**, San Francisco, CA (US); **Irina Igorevna Kozlovskaya**, San Francisco, CA (US); **Jennifer Burton Birch**, Oakland, CA (US); **Angela Sevilla**, San Francisco, CA (US); **Cory William Worth**, Palo Alto, CA (US)

(Continued)

**FOREIGN PATENT DOCUMENTS**

CH 135962-0017 5/2009  
CH 143517-0001 10/2017

(Continued)

(73) Assignee: **Fitbit, Inc.**, San Francisco, CA (US)

(\*\*) Term: **15 Years**

(21) Appl. No.: **29/701,729**

(22) Filed: **Aug. 14, 2019**

**OTHER PUBLICATIONS**

Silicone Rubber Waterproof Watch Strap Band Forte Spring Bars, for sale at EBay.com. Website accessed Jun. 12, 2019.

(Continued)

*Primary Examiner* — L. Martinez

(74) *Attorney, Agent, or Firm* — Polson Intellectual Property Law, PC; Margaret Polson

**Related U.S. Application Data**

(63) Continuation of application No. 29/690,658, filed on May 9, 2019.

(51) **LOC (12) Cl.** ..... **11-01**

(52) **U.S. Cl.**  
USPC ..... **D11/3**

(58) **Field of Classification Search**  
USPC ..... D11/1-3; D10/32, 38, 70; D14/344; D24/167  
CPC ..... A44C 5/00; A44C 5/0007; A44C 5/0015; A44C 5/003; A44C 5/0053; A44C 5/0084; A44C 5/12; A44C 11/00; A44C 11/007

See application file for complete search history.

(57) **CLAIM**

The ornamental design for a watch band with a reflective strip, as shown and described.

**DESCRIPTION**

The patent or application file contains at least one drawing executed in color. Copies of this patent or patent application publication with color drawing(s) will be provided by the Office upon request and payment of the necessary fee.

FIG. 1 is a top, left side isometric view of a watch band with a reflective strip showing our new design.

FIG. 2 is a front side elevation view of FIG. 1.

FIG. 3 is a back side elevation view of FIG. 1.

FIG. 4 is a right side elevation view of FIG. 1.

FIG. 5 is a left side elevation view of FIG. 1.

FIG. 6 is a top plan view of FIG. 1; and,

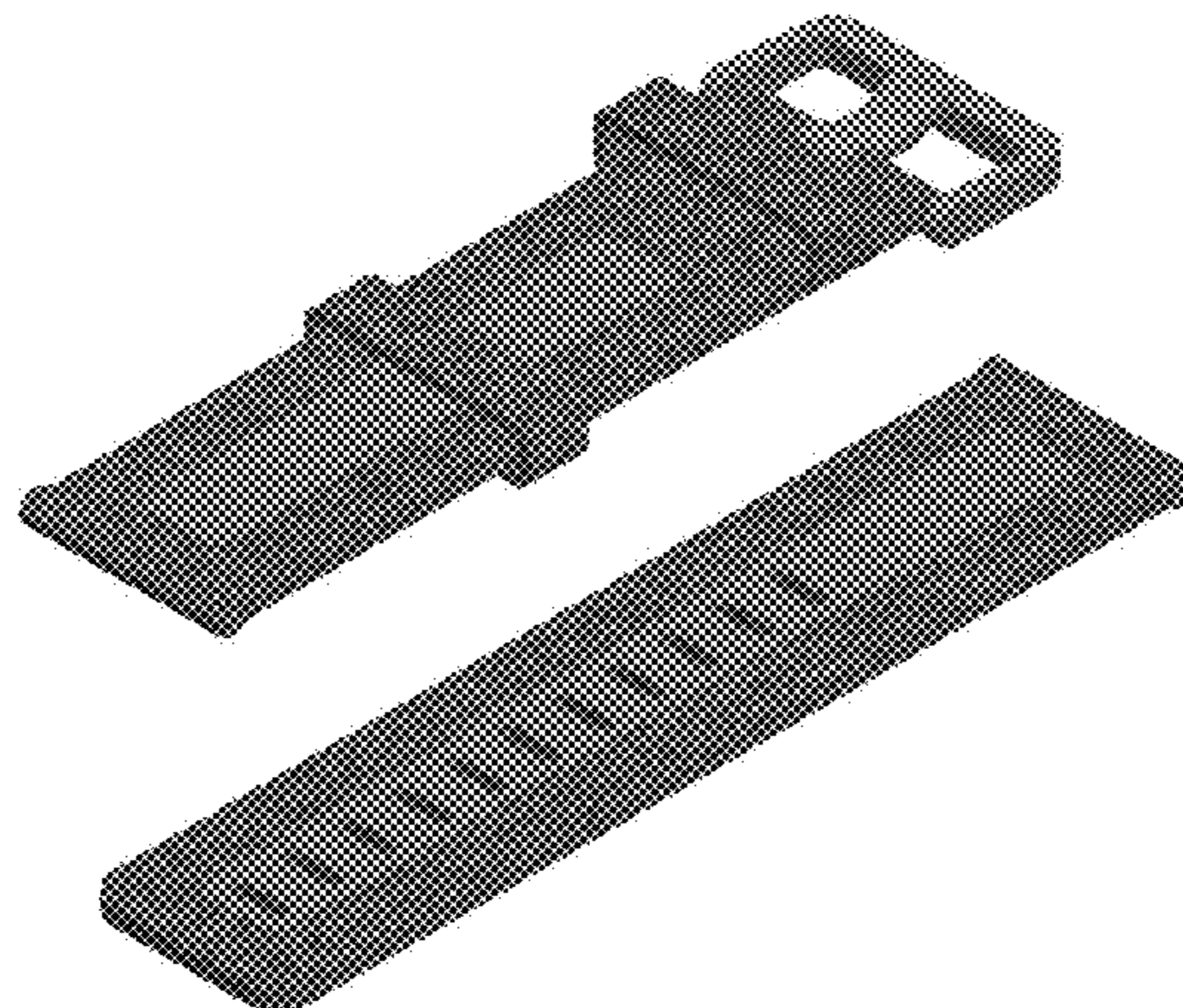
FIG. 7 is a bottom plan view of FIG. 1.

(56) **References Cited**

**U.S. PATENT DOCUMENTS**

D214,810 S \* 7/1969 Gandelman ..... D11/3  
D344,468 S \* 2/1994 Kaneko ..... D11/3  
D365,533 S \* 12/1995 Burgener ..... D11/3

**1 Claim, 5 Drawing Sheets**  
**(2 of 5 Drawing Sheet(s) Filed in Color)**



(56)

References Cited

U.S. PATENT DOCUMENTS

D383,993 S \* 9/1997 Kalbach ..... D11/3  
 D401,181 S \* 11/1998 Houlihan ..... D11/3  
 6,108,876 A \* 8/2000 Hubbert ..... A44C 5/003  
 224/168  
 D435,223 S \* 12/2000 Bodino ..... D10/32  
 D589,372 S \* 3/2009 Miloradovic ..... D10/32  
 D644,952 S \* 9/2011 Rabassa ..... D11/3  
 D727,759 S \* 4/2015 Martinez ..... D10/70  
 D763,719 S \* 8/2016 Nielsen ..... D11/3  
 D764,340 S \* 8/2016 Akana ..... D11/3  
 D768,025 S \* 10/2016 Akana ..... D11/3  
 D777,163 S \* 1/2017 Akana ..... D14/344  
 D779,989 S \* 2/2017 Lee ..... D10/70  
 D781,853 S \* 3/2017 Akana ..... D14/344  
 D789,822 S \* 6/2017 Akana ..... D11/3  
 D790,374 S \* 6/2017 Lean ..... D10/39  
 D795,121 S \* 8/2017 Akana ..... D11/3  
 D795,731 S \* 8/2017 Bayley ..... D11/3  
 D806,071 S \* 12/2017 Akana ..... D14/344  
 D812,052 S \* 3/2018 Akana ..... D14/344  
 D820,713 S \* 6/2018 Oh ..... D11/3  
 D821,247 S 6/2018 Lean et al.  
 D822,526 S 7/2018 Lean et al.  
 D827,640 S \* 9/2018 Andersson ..... D14/344  
 D828,352 S \* 9/2018 Akana ..... D14/344  
 D829,123 S \* 9/2018 Nielsen ..... D11/3  
 D834,439 S \* 11/2018 Monachon ..... D11/3  
 D836,466 S \* 12/2018 Shi ..... D10/32  
 D838,619 S \* 1/2019 Akana ..... D11/3  
 D841,512 S 2/2019 Paschke et al.  
 D857,011 S 8/2019 Kang  
 2014/0043794 A1 \* 2/2014 Carriere ..... A44C 5/0007  
 362/103  
 2017/0188669 A1 \* 7/2017 Dukerschein ..... A44C 5/0053

FOREIGN PATENT DOCUMENTS

CN 304856681 10/2018  
 CN 304918326 11/2018  
 CN 305178209 5/2019  
 EM 001109706-0017 3/2009  
 EM 003027218-0001 3/2016  
 GB 2034016 9/1993  
 GB 2071498 1/1998  
 WO D032249-033 2/1995  
 WO D046720-002 2/1999

WO D048610-001 7/1999  
 WO D050714-003 2/2000  
 WO D052261-018 6/2000  
 WO D053903-001 11/2000  
 WO D056258-003 5/2001  
 WO D060327-002 6/2002  
 WO D064634-003 11/2003  
 WO D064877-003 1/2004  
 WO D065367-002 4/2004  
 WO D065602-002 7/2004  
 WO D069848-002 3/2008  
 WO D069849-001 3/2008  
 WO D070127-002 5/2008  
 WO D083337-003 4/2014  
 WO D083370-001 4/2014  
 WO D087754-003 9/2015  
 WO D090387-001 4/2016  
 WO D092631-001 9/2016  
 WO D092900-002 10/2016  
 WO D096669-001 6/2017  
 WO D099907-002 1/2018

OTHER PUBLICATIONS

Princeton University 18mm NATO Watch Strap with Silver Fillings, available from Smart Turnout London (<https://www.smartturnout.com/university-watchstrap-princeton-university>). Website accessed Jun. 12, 2019.  
 Gold Premium NATO Strap LeMans, for sale at Cheapestnatostraps (<http://www.cheapestnatostraps.com/products/gold-premium-nato-strap-le-mans>). Website accessed Jun. 12, 2019.  
 U.S. Appl. No. 29/664,615, filed Sep. 26, 2018, applicant Fitbit, Inc. Per MPEP rule 609.07.  
 U.S. Appl. No. 29/664,626, filed Sep. 26, 2018, applicant Fitbit, Inc. Per MPEP rule 609.07.  
 U.S. Appl. No. 29/671,144, filed Nov. 24, 2018, applicant Fitbit, Inc. Per MPEP rule 609.07.  
 U.S. Appl. No. 29/671,145, filed Nov. 24, 2019, applicant Fitbit, Inc. Per MPEP rule 609.07.  
 U.S. Appl. No. 29/602,541, filed May 1, 2017, applicant Fitbit, Inc. Per MPEP rule 609.07.  
 U.S. Appl. No. 29/694,861, filed Jun. 13, 2019, applicant Fitbit, Inc. Per MPEP rule 609.07.  
 U.S. Appl. No. 29/593,261, filed Feb. 7, 2017, applicant Fitbit, Inc. Per MPEP rule 609.07.

\* cited by examiner



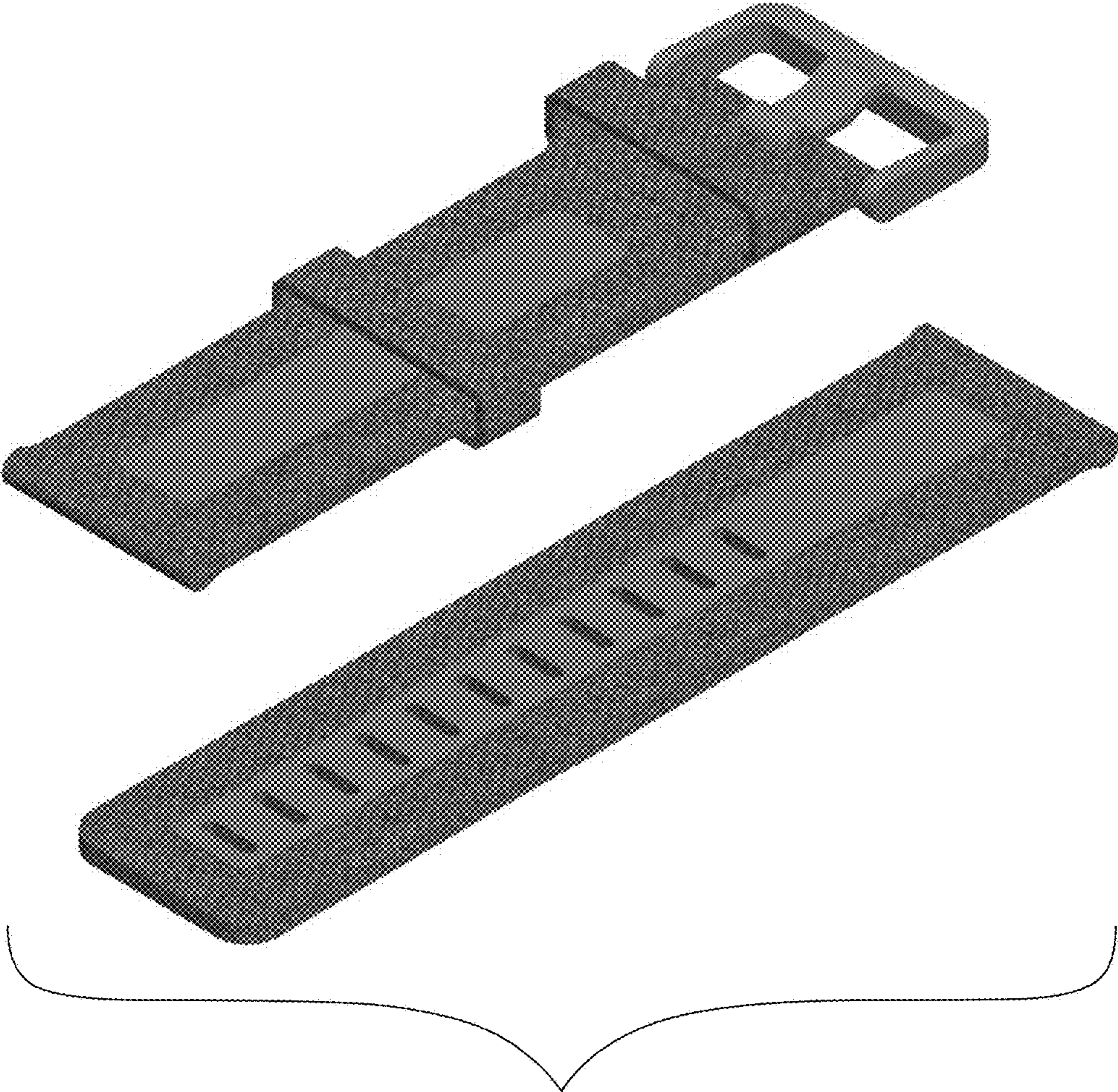


FIG. 1

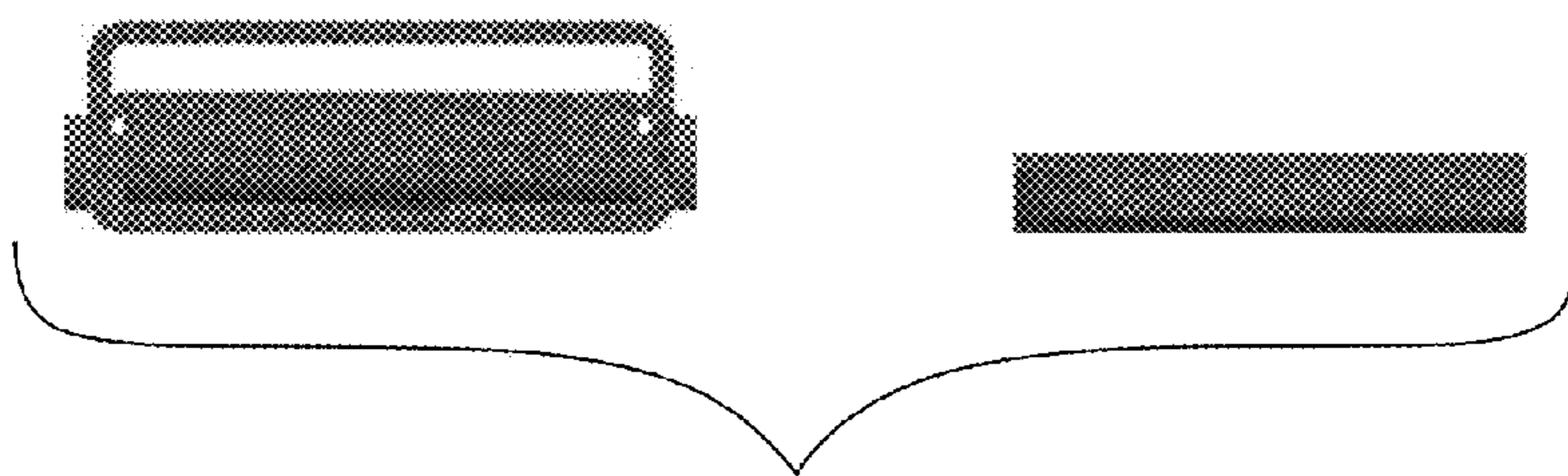


FIG. 2

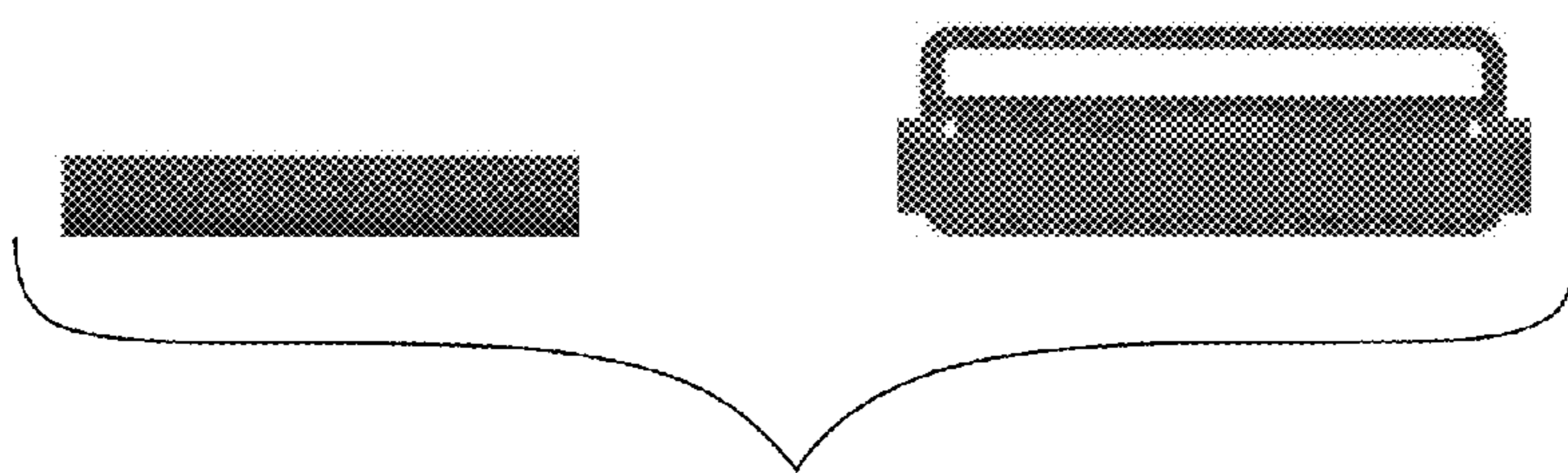


FIG. 3

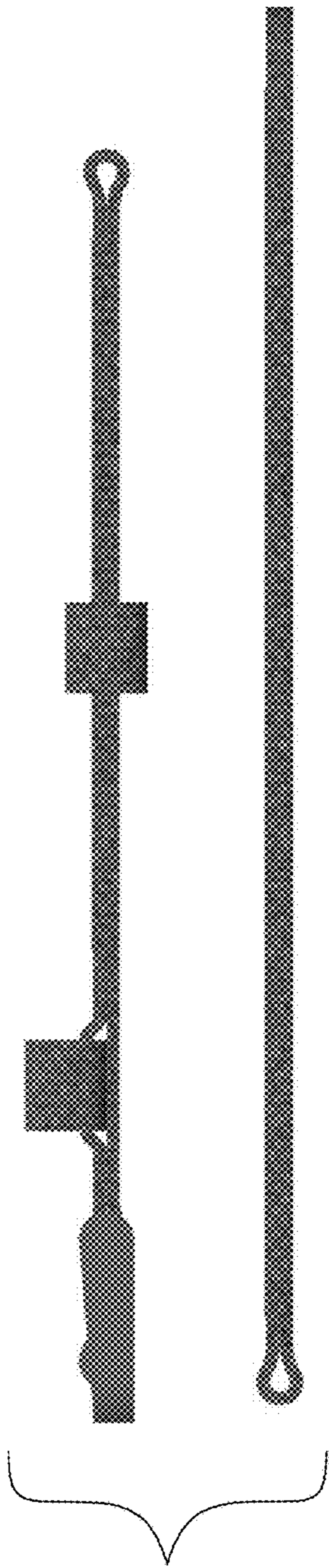


FIG. 4

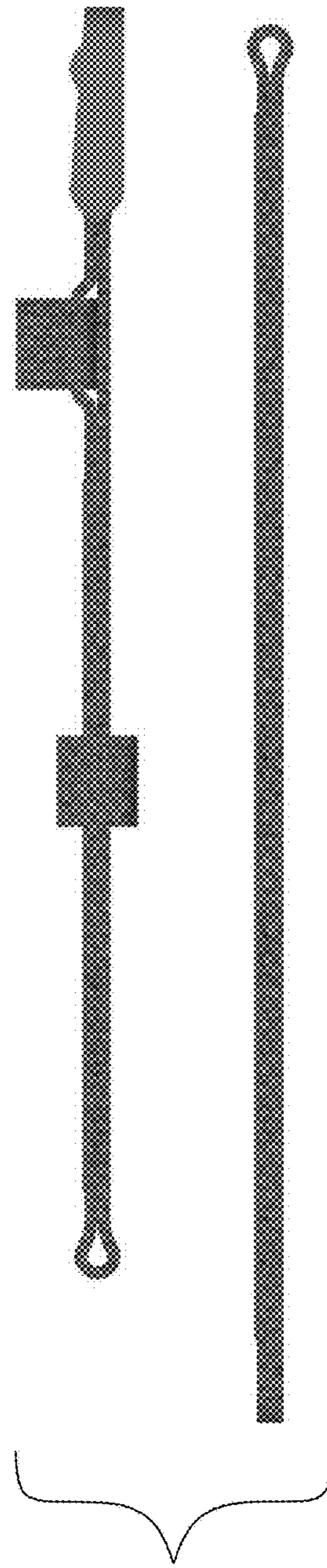


FIG. 5



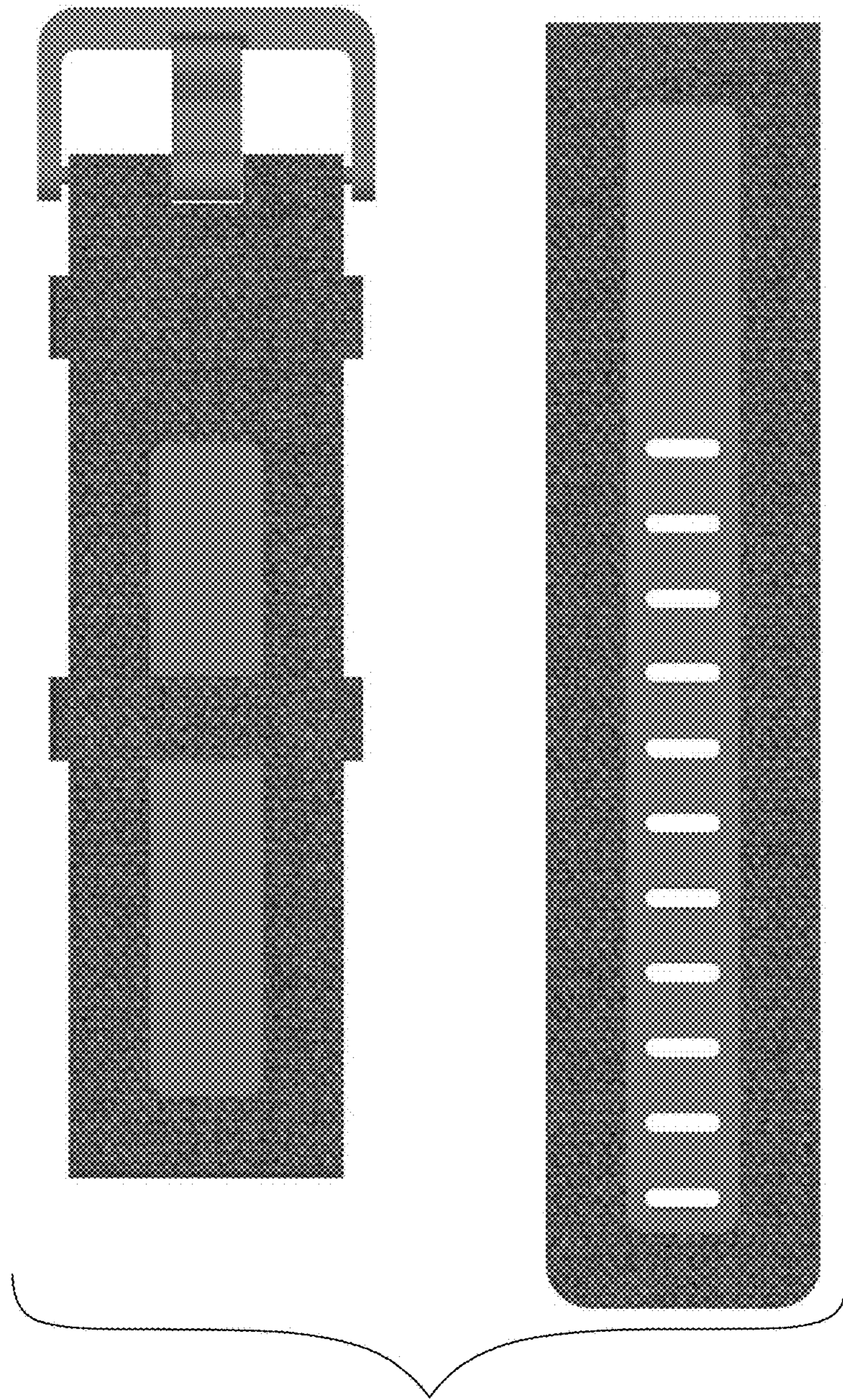


FIG. 6



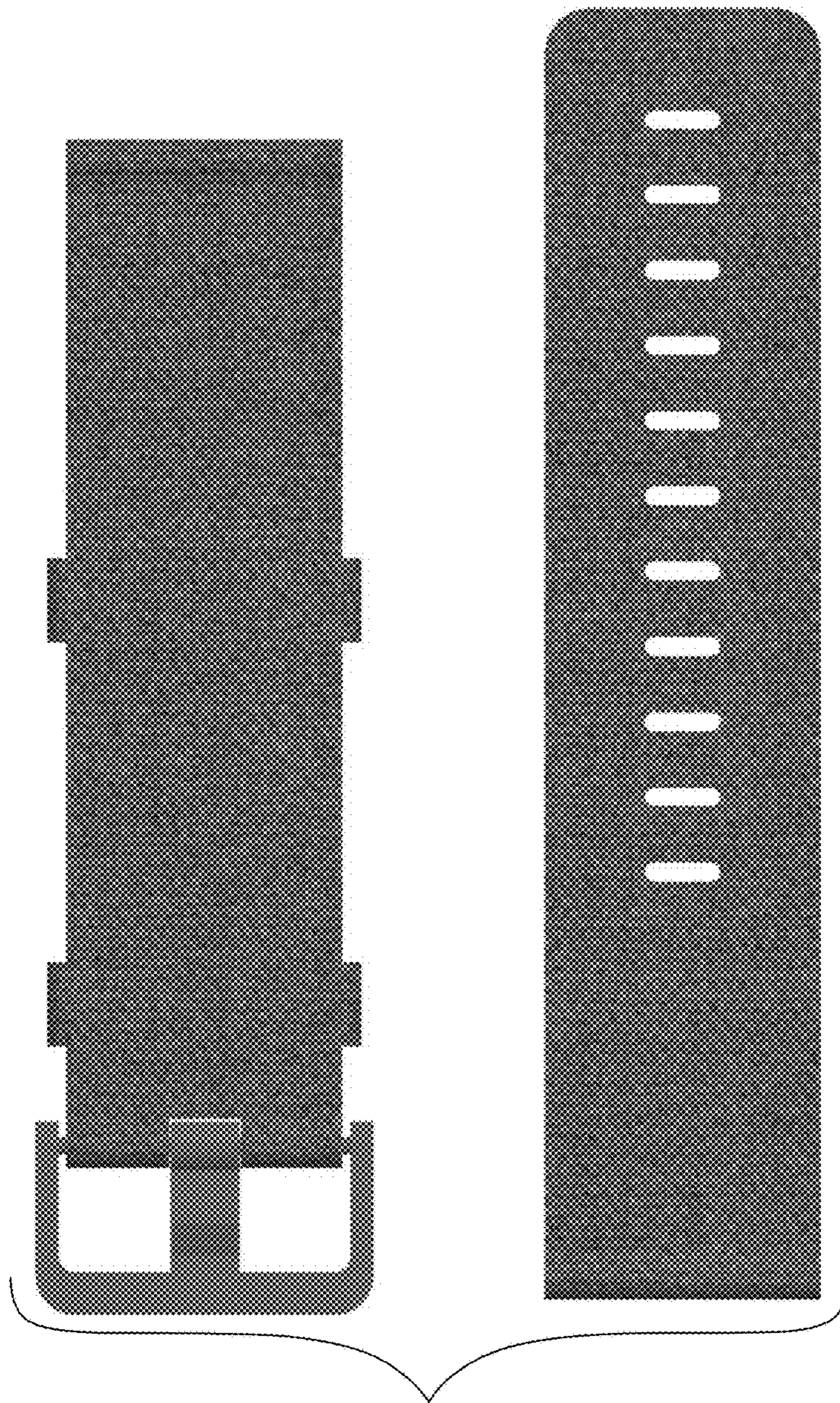


FIG. 7