



US00D871948S

(12) **United States Design Patent** (10) **Patent No.:** **US D871,948 S**
Hikima et al. (45) **Date of Patent:** **** Jan. 7, 2020**

(54) **CONTROL PANEL FOR ELEVATOR**

(56) **References Cited**

(71) Applicant: **Mitsubishi Electric Corporation,**
Tokyo (JP)

U.S. PATENT DOCUMENTS

(72) Inventors: **Takanori Hikima,** Tokyo (JP); **Naoki Furuhashi,** Tokyo (JP); **Kohei Kurose,** Tokyo (JP)

D589,832 S *	4/2009	Ogura	D10/108
D589,833 S *	4/2009	Kim	D10/108
D596,977 S *	7/2009	Ogura	D10/108
D667,745 S *	9/2012	Wu	D10/108
D698,274 S *	1/2014	Saikawa	D10/108
D702,578 S *	4/2014	Joyce	D10/108
D702,579 S *	4/2014	Lee	D10/108
D705,689 S *	5/2014	Saikawa	D10/108

(73) Assignee: **Mitsubishi Electric Corporation,**
Tokyo (JP)

(Continued)

(**) Term: **15 Years**

FOREIGN PATENT DOCUMENTS

(21) Appl. No.: **29/619,886**

JP	1570410 S	2/2017
KR	30-0703609-0000 S	8/2013
KR	30-0777921-0000 S	12/2014

(22) Filed: **Oct. 3, 2017**

OTHER PUBLICATIONS

(30) **Foreign Application Priority Data**

May 30, 2017 (JP) 2017-011556

(51) **LOC (12) Cl.** **10-05**

(52) **U.S. Cl.**
USPC **D10/108**

(58) **Field of Classification Search**

USPC D10/46, 46.1, 49, 50, 51, 52, 53, 55, 57,
D10/104, 106, 160.1, 106.6, 106.95, 108,
D10/109.1, 109.2, 113.4, 114.1, 114.2,
D10/118, 118.1, 118.2, 121, 123, 125;
D6/310, 466; D13/162, 162.1, 163, 168;
D14/138 G, 146, 149, 150, 198, 218, 245,
D14/247, 302, 303, 304, 305, 306, 307,
D14/371, 383, 388, 389, 390, 485, 486,
D14/900, 902; D18/6, 7; D20/10, 43;
D21/332, 325, 369, 370; D99/28;
187/380, 389, 390, 391, 396, 397, 395;
194/206; 361/679.01, 679.02, 679.04,
361/679.21, 679.57, 725

CPC B66B 1/00; B66B 3/00

See application file for complete search history.

Available Mar. 17, 2015, [online], [site visited Mar. 7, 2019].
Available from Internet, <URL:https://medium.com/interactive-mind/
a-story-of-ux-obsession-and-elevators-bae156462943> (Year: 2015).*

(Continued)

Primary Examiner — Cathron C Brooks

Assistant Examiner — Katrina N Gonzalez

(74) *Attorney, Agent, or Firm* — Studebaker & Brackett
PC

(57) **CLAIM**

The ornamental design for a control panel for elevator, as shown and described.

DESCRIPTION

FIG. 1 is a front, top and right side perspective view of a control panel for elevator showing our new design;
FIG. 2 is a front view thereof;
FIG. 3 is a rear view thereof;
FIG. 4 is a top view thereof;

(Continued)

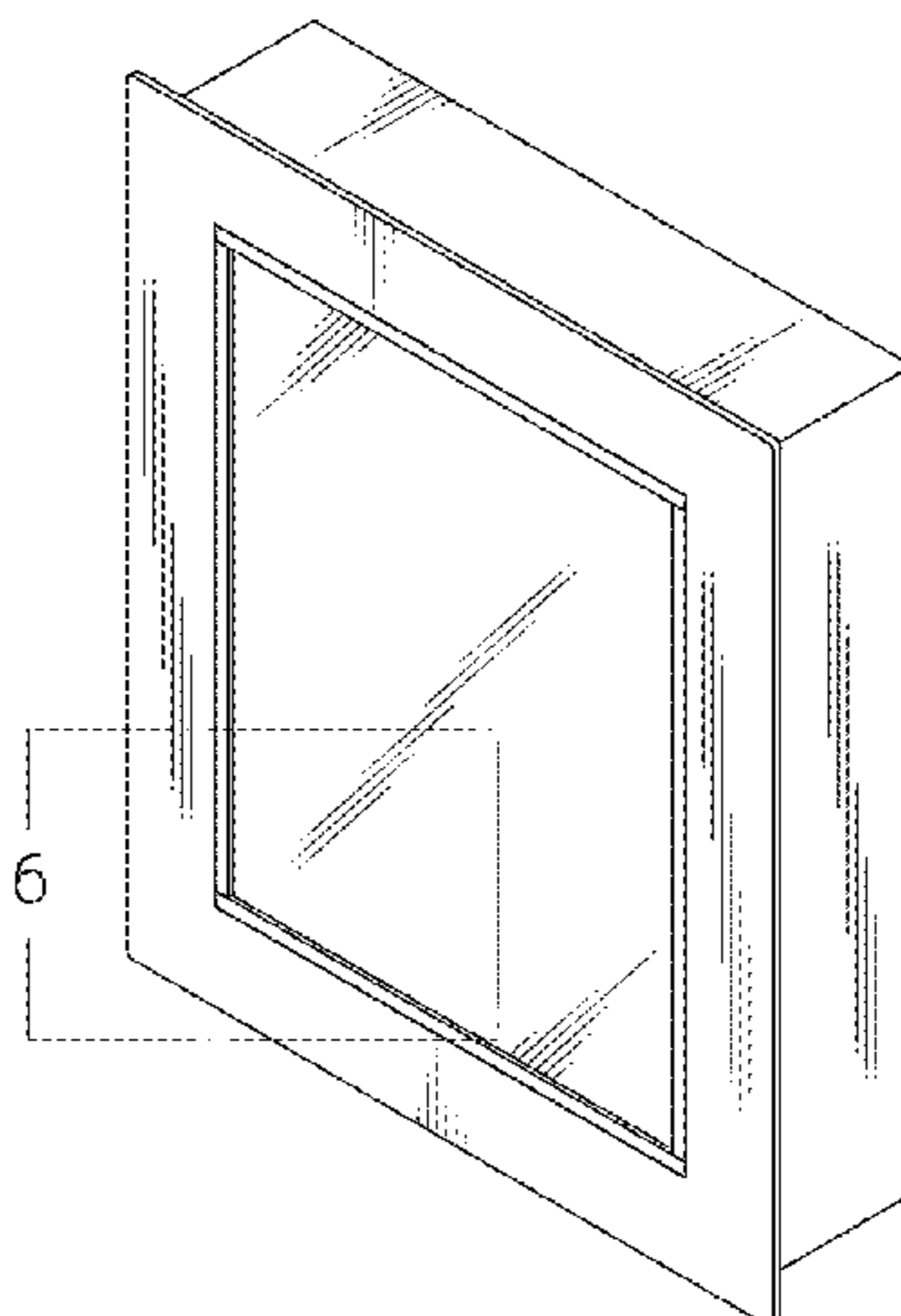


FIG. 5 is a right side view thereof; and,
FIG. 6 is an enlarged partial perspective view of FIG. 1.

1 Claim, 5 Drawing Sheets

(56)

References Cited

U.S. PATENT DOCUMENTS

D742,335 S	*	11/2015	Yamaguchi	D10/49
D748,515 S	*	2/2016	Matsuyama	D10/108
D754,013 S	*	4/2016	Choi	D10/108
D807,763 S	*	1/2018	Jacoby	D10/50
D820,224 S	*	6/2018	Mori	D13/168
D820,793 S	*	6/2018	Arai	D13/168
D821,984 S	*	7/2018	Mori	D13/168
D832,118 S	*	10/2018	Higashijima	D10/50
D838,618 S	*	1/2019	Nagaki	D10/104.1

OTHER PUBLICATIONS

Available Nov. 1, 2018, [online], [site visited Mar. 7, 2019].
Available from Internet, <URL:http://gd.kidp.or.kr/eng/product/eng_product_view.asp?idx=9438> (Year: 2018).*

Available Mar. 1, 2016, [online], [site visited Mar. 7, 2019].
Available from Internet, <URL:https://medium.com/ux-for-india/interface-for-1000-floors-elevator-30a38863162b> (Year: 2016).*

Available Mar. 7, 2019, [online], [site visited Mar. 7, 2019].
Available from Internet, <URL:https://continuingeducation.bnppmedia.com/courses/otis-elevator-company/destination-dispatch-elevator-systems-benefit-passengers-building-owners-and-design-professionals/7/> (Year: 2019).*

Available Mar. 7, 2019, [online], [site visited Mar. 7, 2019].
Available from Internet, <URL:https://files.otis.com/otis/en/us/contentimages/TouchpadFactsheet_WHQ_01132017.pdf> (Year: 2019).*

Available Mar. 7, 2019, [online], [site visited Mar. 7, 2019].
Available from Internet, <URL:https://files.otis.com/otis/en/us/contentimages/TouchScreenFactsheet_WHQ_01132017.pdf> (Year: 2019).*

Available Mar. 7, 2019, [online], [site visited Mar. 7, 2019].
Available from Internet, <URL:https://files.otis.com/otis/en/us/contentimages/10265_CompassPlus_v2.pdf> (Year: 2019).*

An Office Action; "Notification of Reasons for Refusal", issued by the Japanese Patent Office dated Aug. 29, 2017, which corresponds to Japanese Design Application No. 2017-011556.

An Office Action issued by the Korean Patent Office dated Mar. 20, 2018, which corresponds to Korean Design Application No. 30-2017-0047904 and is related to U.S. Appl. No. 29/619,886.

* cited by examiner

Fig. 1

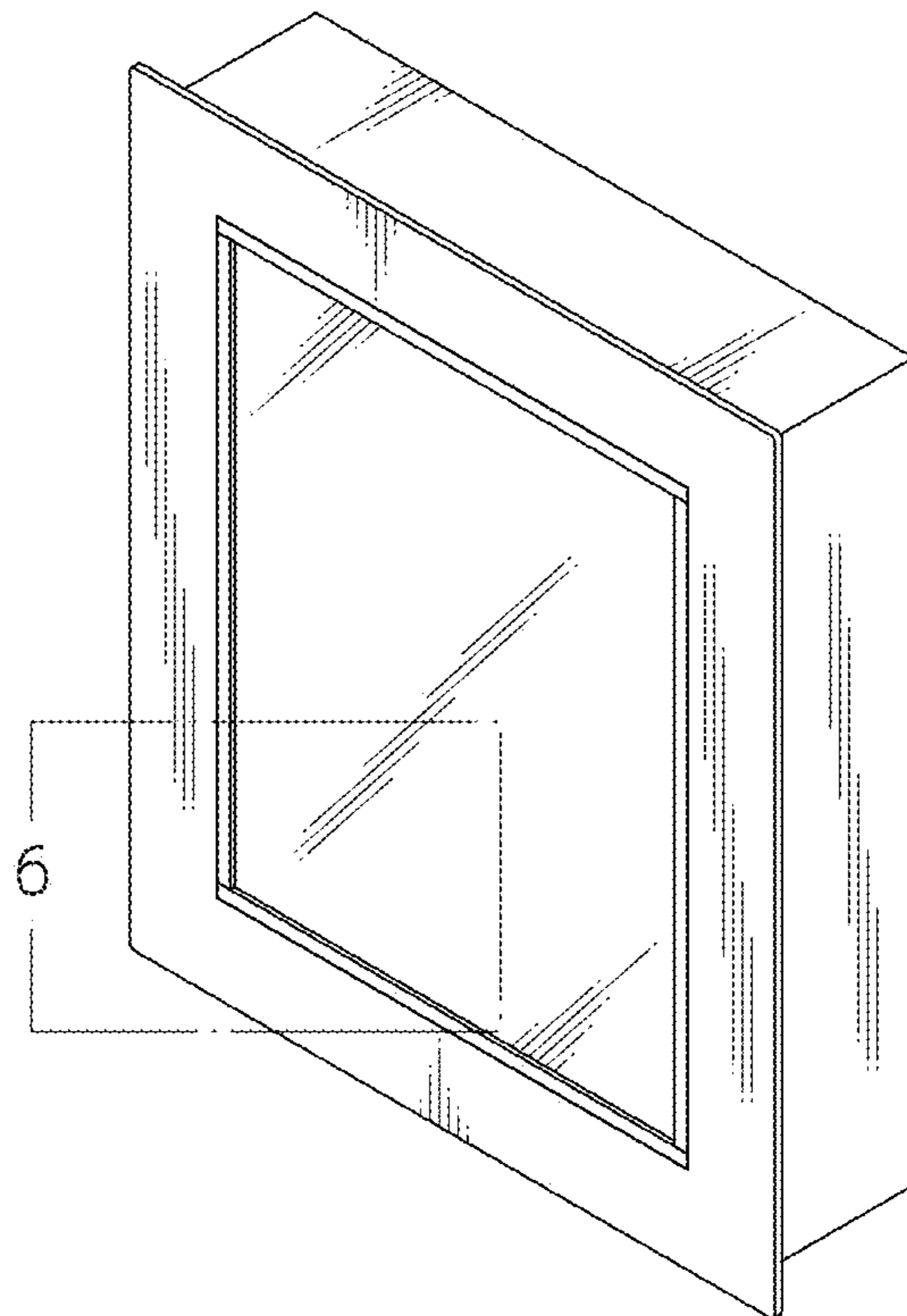


Fig. 2

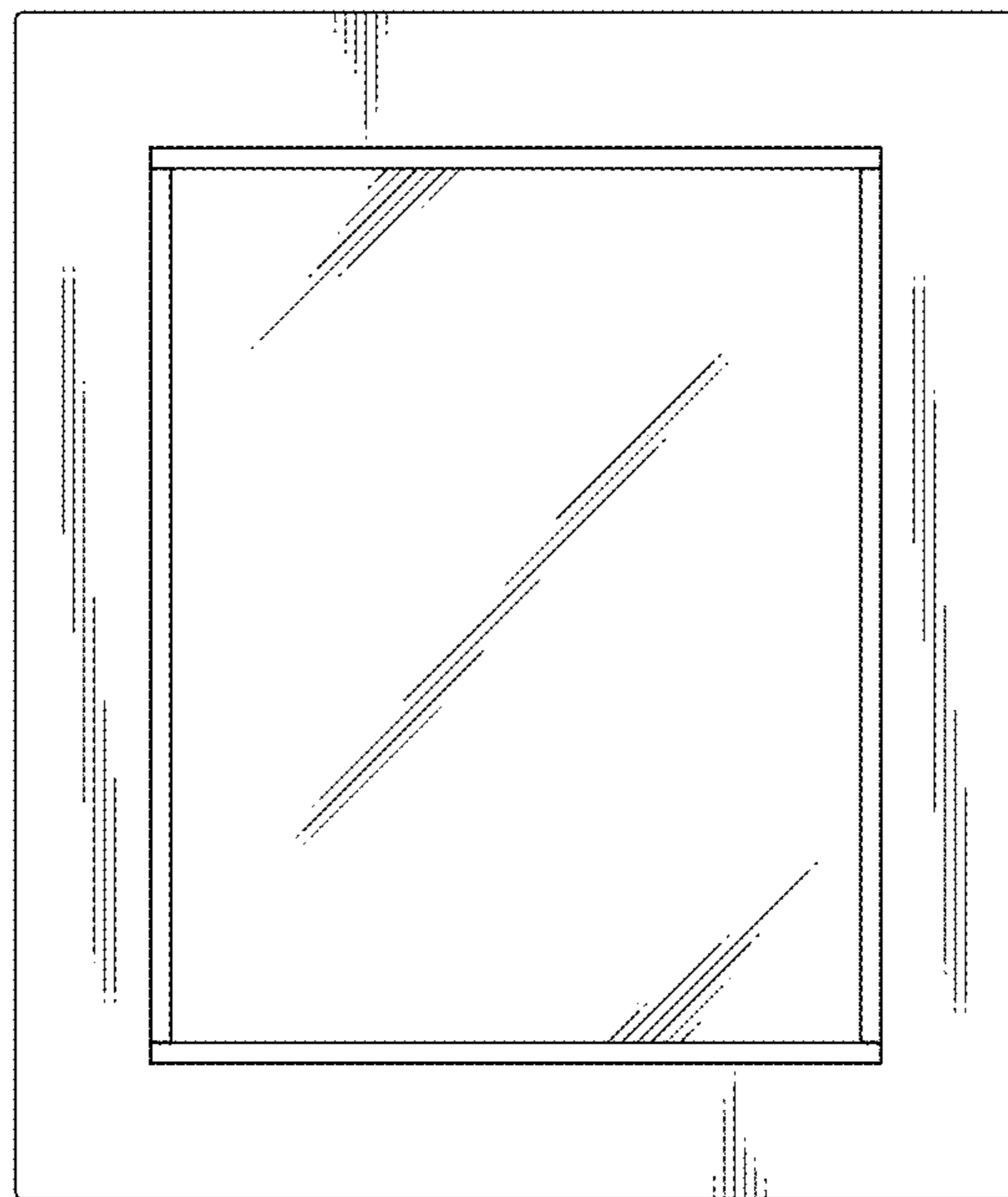


Fig. 3

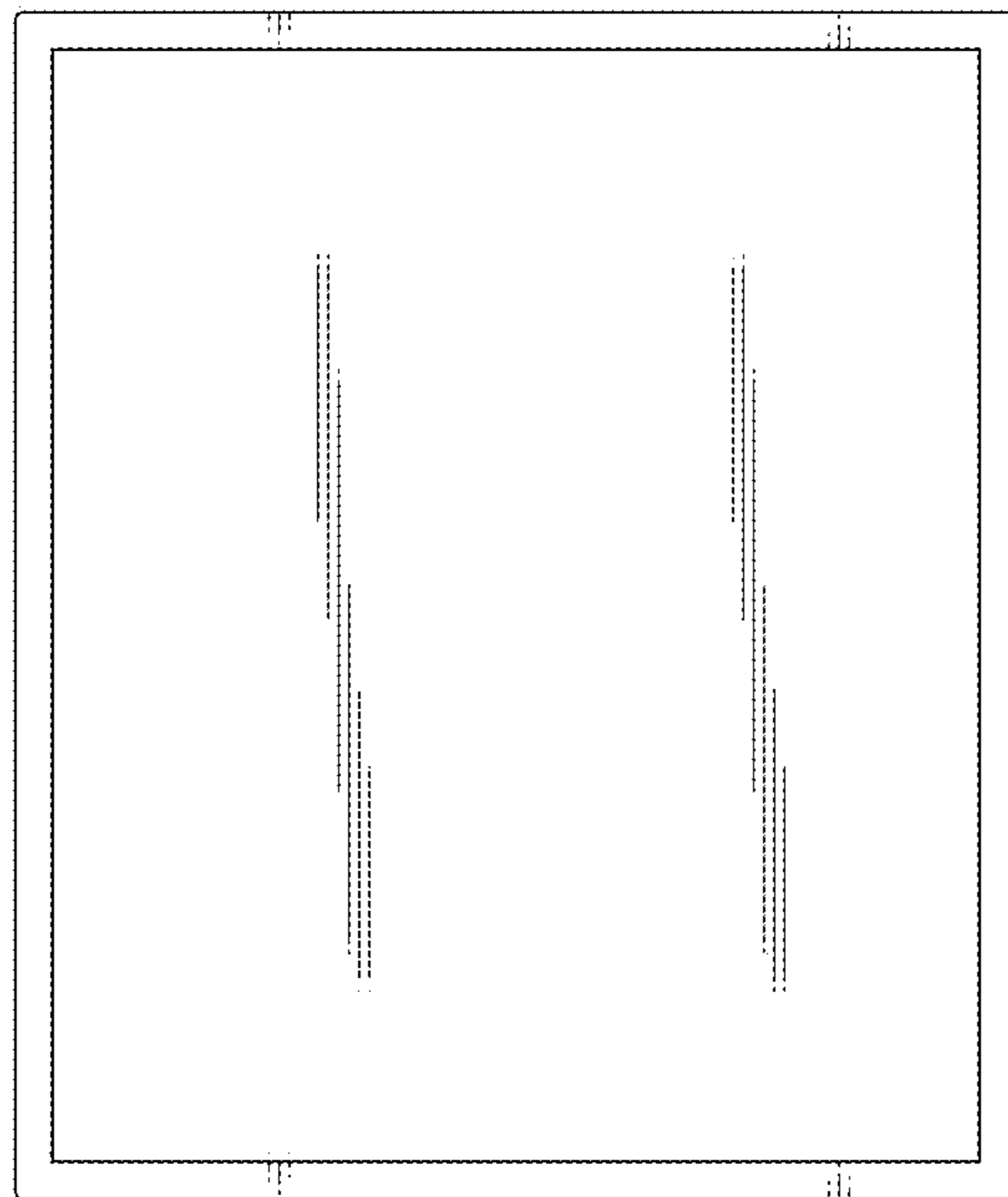


Fig. 4

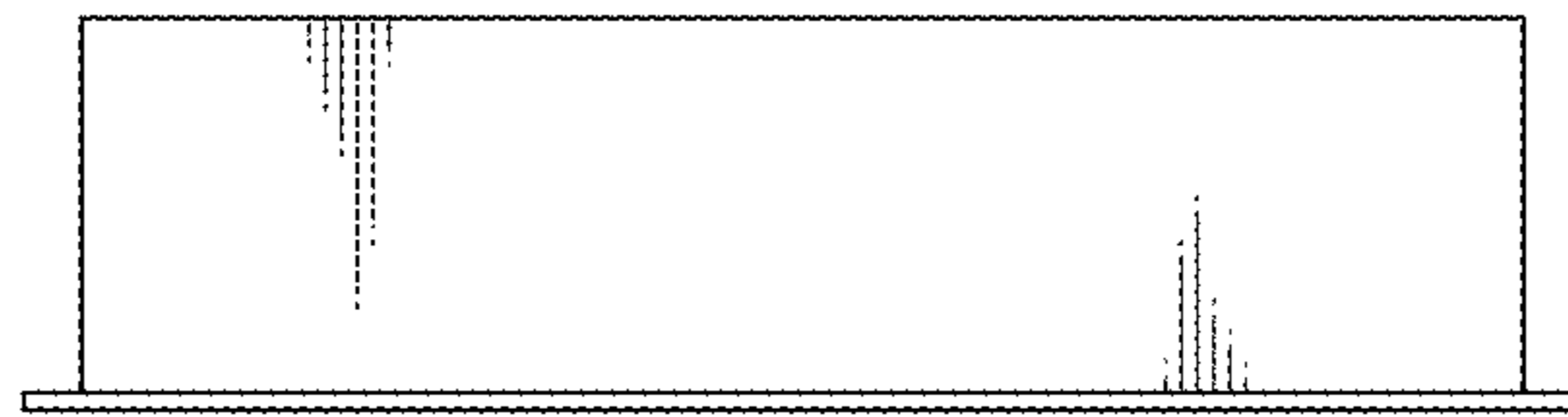


Fig. 5

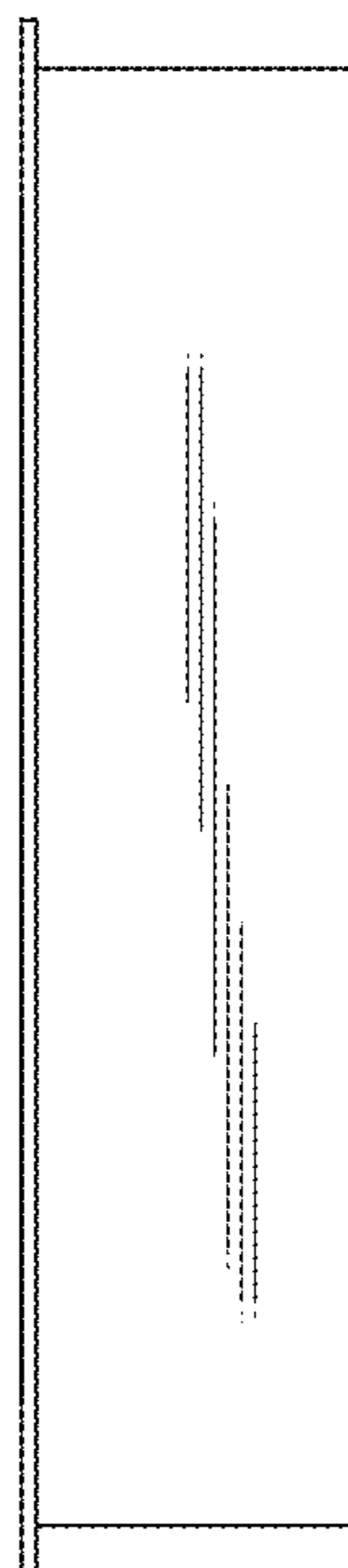


Fig. 6

