



US00D871947S

(12) **United States Design Patent**  
**Simoneau**

(10) **Patent No.:** **US D871,947 S**

(45) **Date of Patent:** **\*\* Jan. 7, 2020**

- (54) **EAS TAG**
- (71) Applicant: **Robert Simoneau**, Saint Laurent (CA)
- (72) Inventor: **Robert Simoneau**, Saint Laurent (CA)
- (73) Assignee: **Best Security Acquisition, LLC**,  
Delray Beach, FL (US)

(\*\*) Term: **15 Years**

(21) Appl. No.: **29/645,644**

(22) Filed: **Apr. 27, 2018**

(51) **LOC (12) Cl.** ..... **10-05**

(52) **U.S. Cl.**  
USPC ..... **D10/106.91**

(58) **Field of Classification Search**  
 USPC ..... D16/202, 203, 214, 215; D10/70, 97,  
 D10/103, 104.1, 104.2, 106.1–106.95,  
 D10/108, 121, 123, 124, 125, 126, 132;  
 D14/435, 437  
 CPC ..... G08B 17/00; G08B 17/06; G08B 17/10;  
 G08B 17/11; G08B 17/12; G08B 17/103;  
 G08B 17/107; G08B 21/02; G08B  
 21/0202; G08B 21/0205; H04N 5/2251;  
 H04N 5/2252; H04N 5/2253; H04N  
 5/2254

See application file for complete search history.

(56) **References Cited**

**U.S. PATENT DOCUMENTS**

- D649,487 S \* 11/2011 Jarrett ..... D10/106.91
- D709,398 S \* 7/2014 Leyden ..... D10/106.9

- D734,194 S \* 7/2015 Kastner ..... D10/106.92
- D815,625 S \* 4/2018 Wartmann ..... D14/240
- D815,968 S \* 4/2018 Ramasarma ..... D10/104.1
- D815,969 S \* 4/2018 Ramasarma ..... D10/104.1
- D818,384 S \* 5/2018 Barovic ..... D10/106.9
- D836,474 S \* 12/2018 Cannell ..... D10/104.1
- D839,272 S \* 1/2019 Seo ..... D14/435
- D853,262 S \* 7/2019 Geskin Zinovi ..... D10/104.1

\* cited by examiner

*Primary Examiner* — George D. Kirschbaum

*Assistant Examiner* — Joseph J Kukella

(74) *Attorney, Agent, or Firm* — James N. Videbeck

(57) **CLAIM**

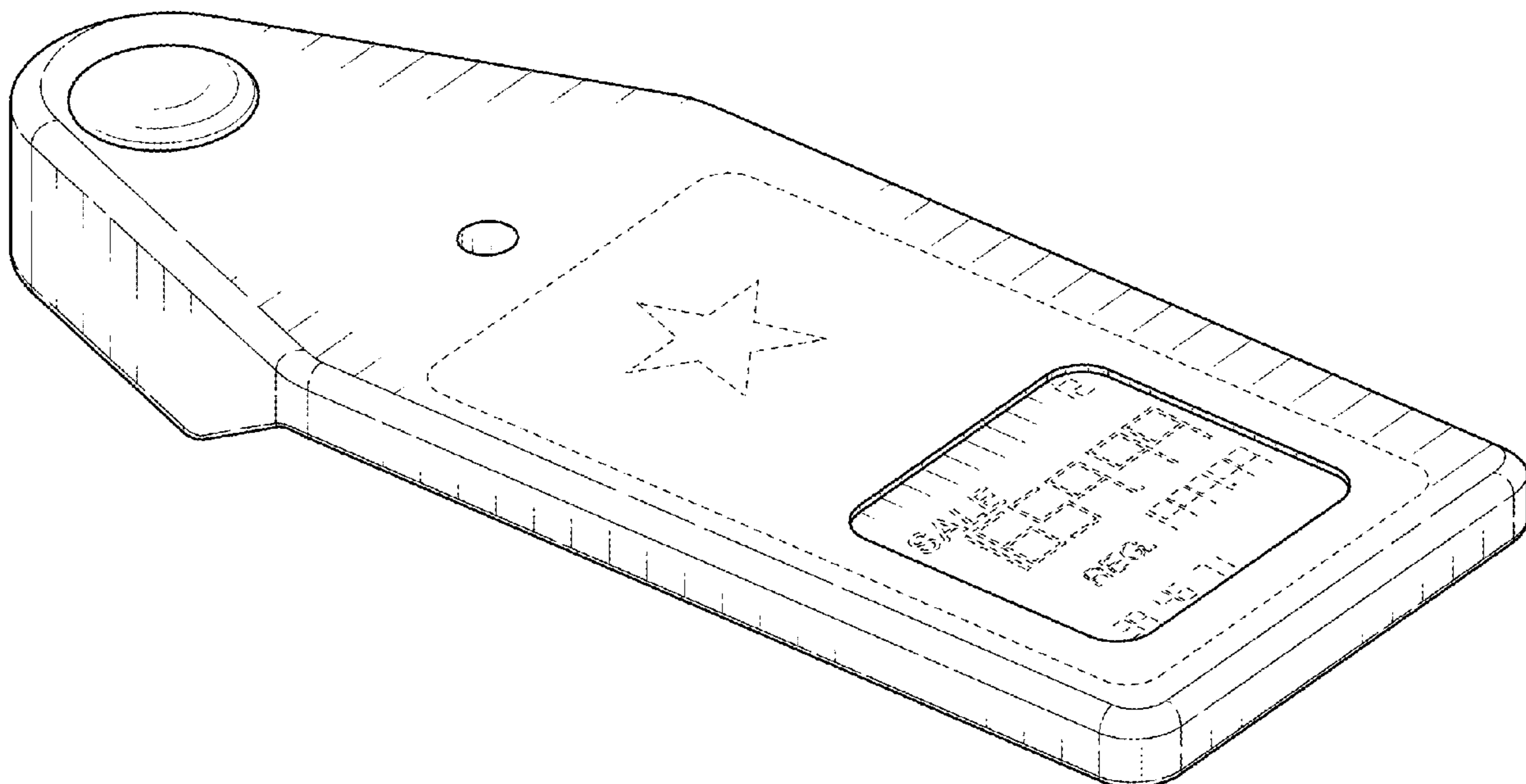
The ornamental design for an EAS tag, as shown and described.

**DESCRIPTION**

FIG. 1 is a ¾ top perspective view of an EAS tag embodying the ornamental design of this invention;  
 FIG. 2 is a ¾ bottom perspective view thereof;  
 FIG. 3 is a top plan view thereof;  
 FIG. 4 is a bottom plan view thereof;  
 FIG. 5 is a right side elevation thereof;  
 FIG. 6 is a left side elevation thereof;  
 FIG. 7 is a right end elevation thereof; and,  
 FIG. 8 is a left end elevation thereof.

In the drawings, the broken lines depict environmental subject matter only and form no part of the claimed design.

**1 Claim, 6 Drawing Sheets**



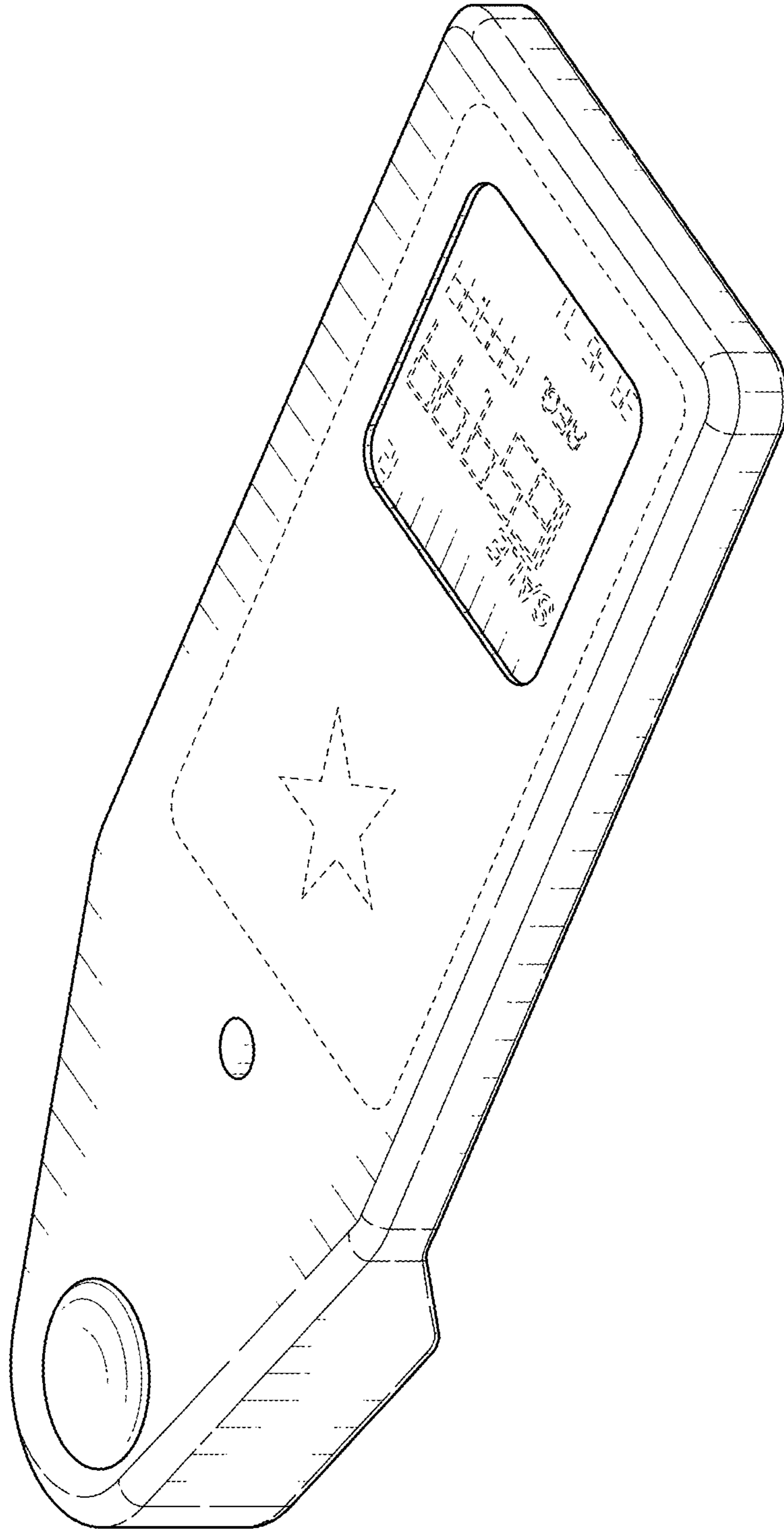


FIG. 1

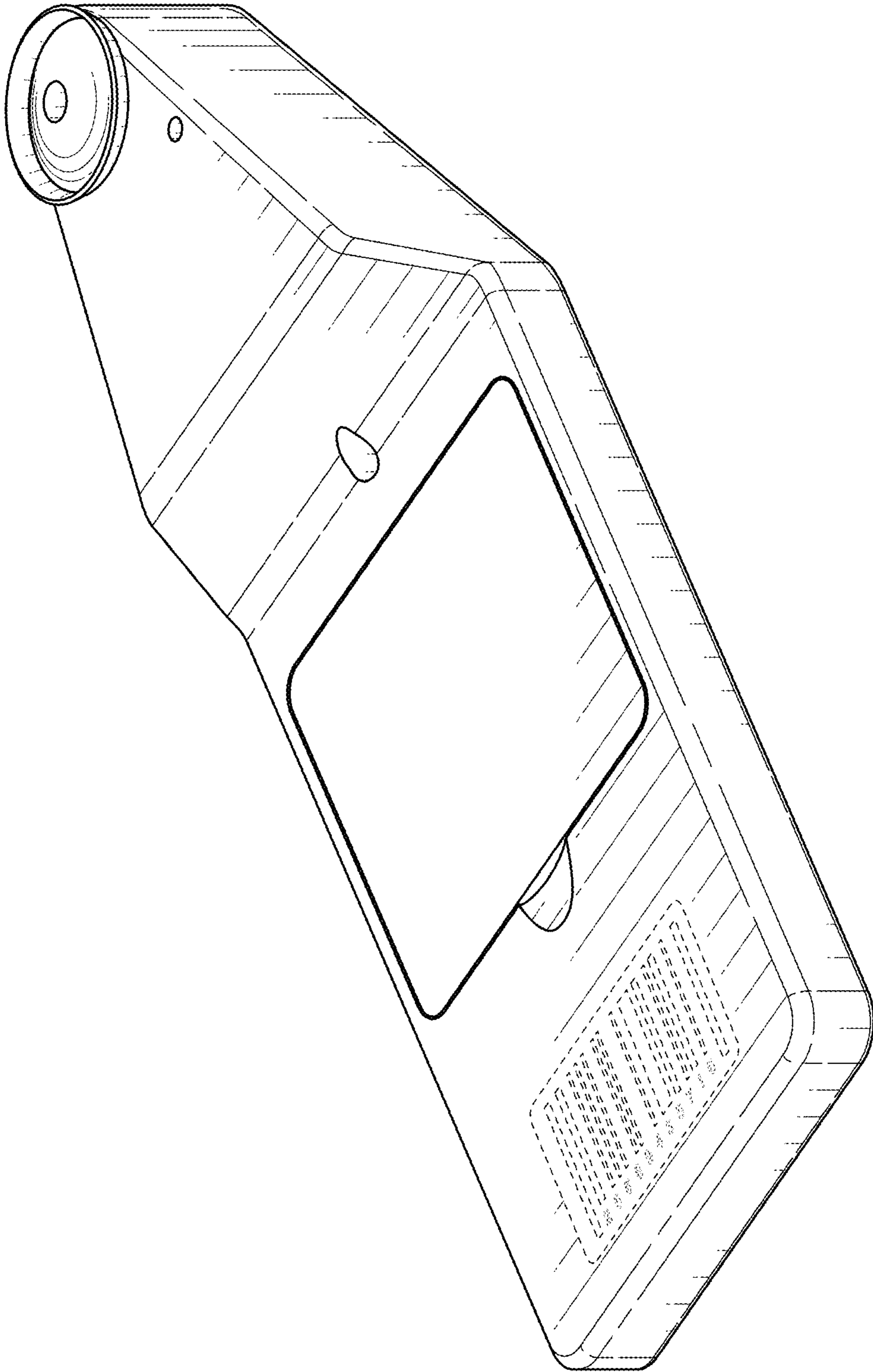


FIG. 2

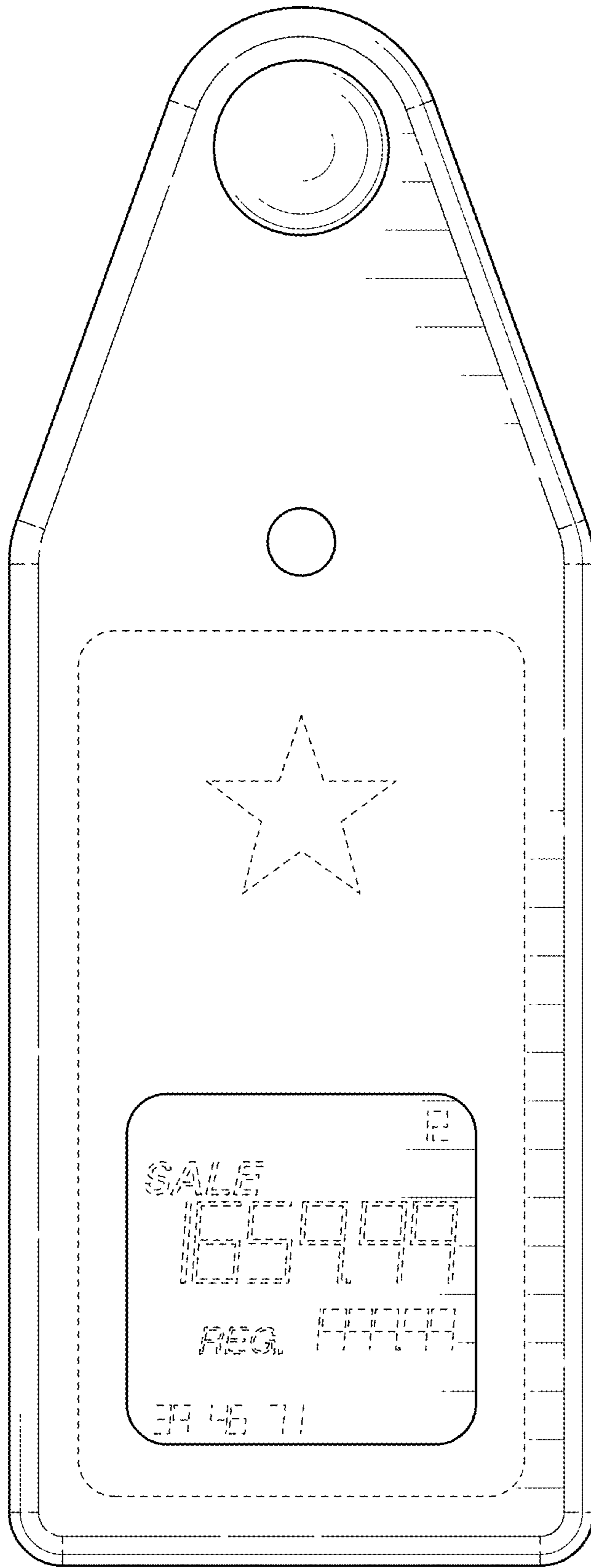


FIG. 3

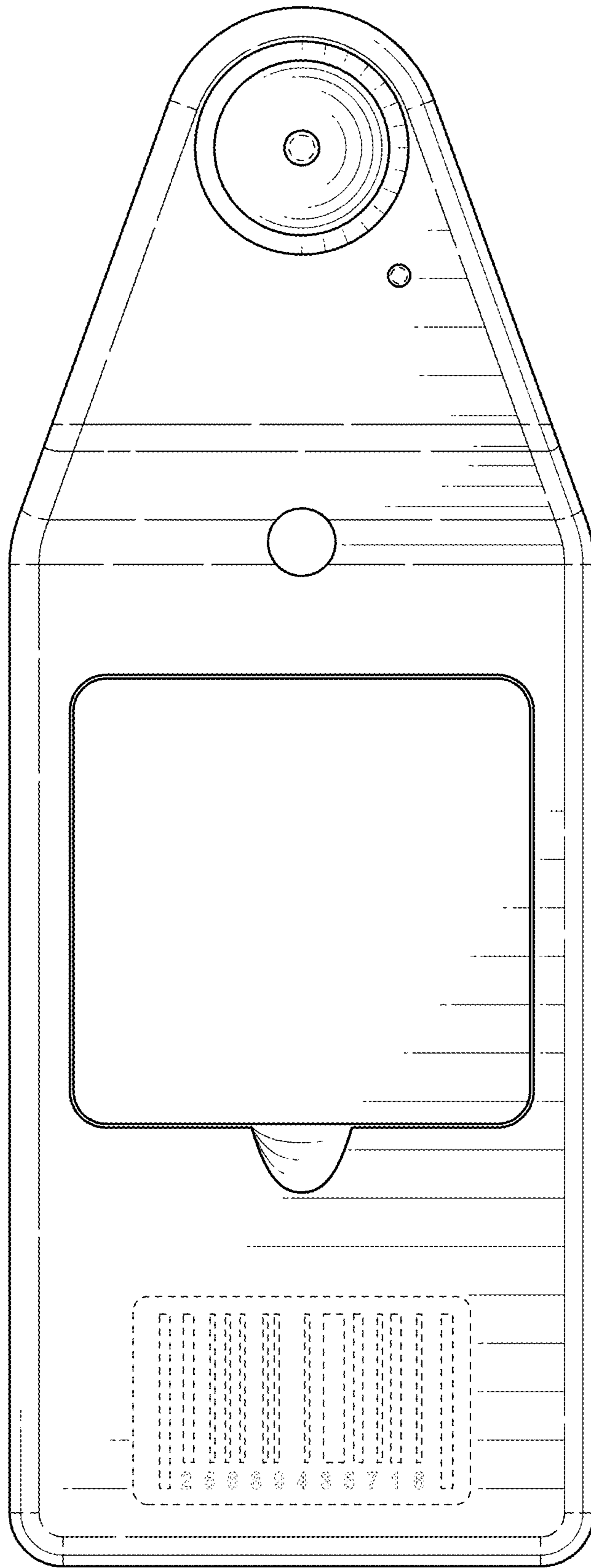


FIG. 4

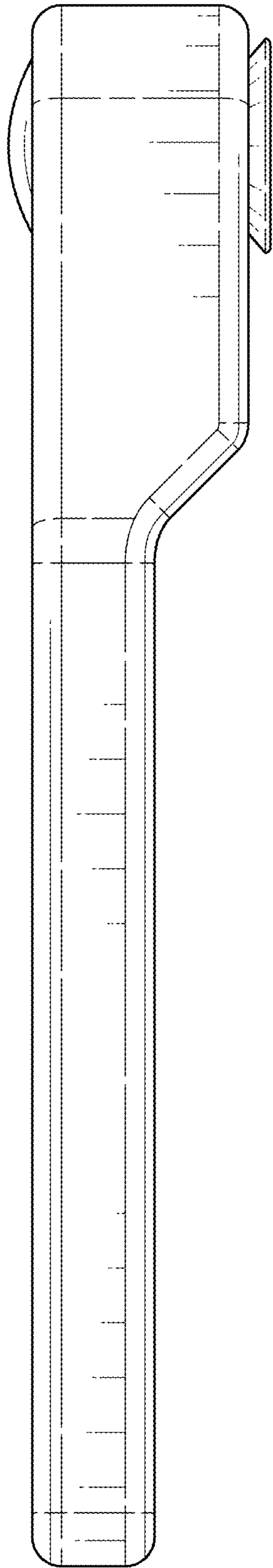


FIG. 5

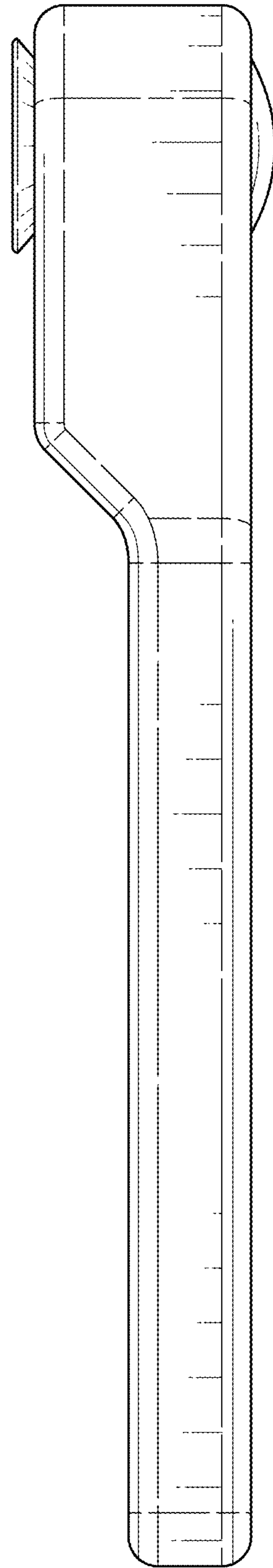


FIG. 6

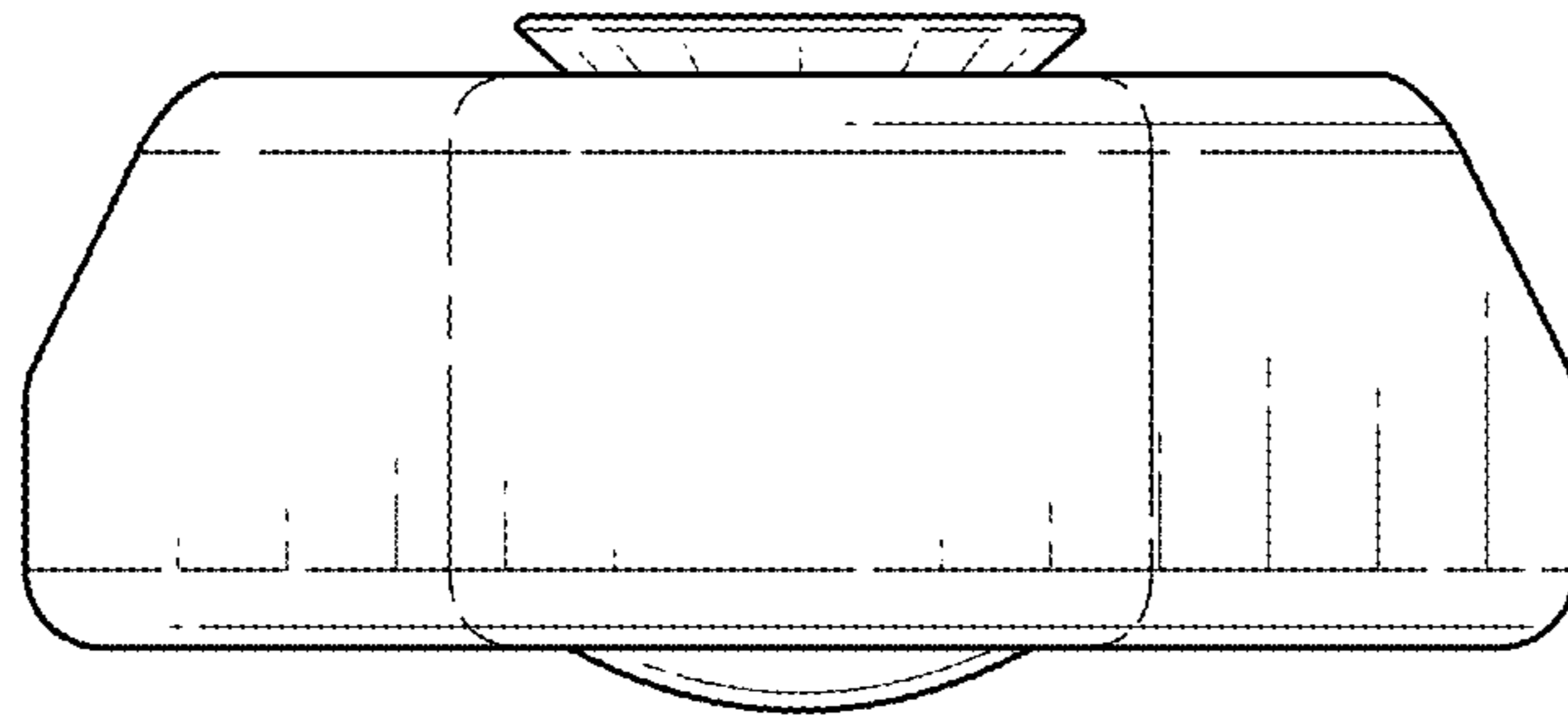


FIG. 7

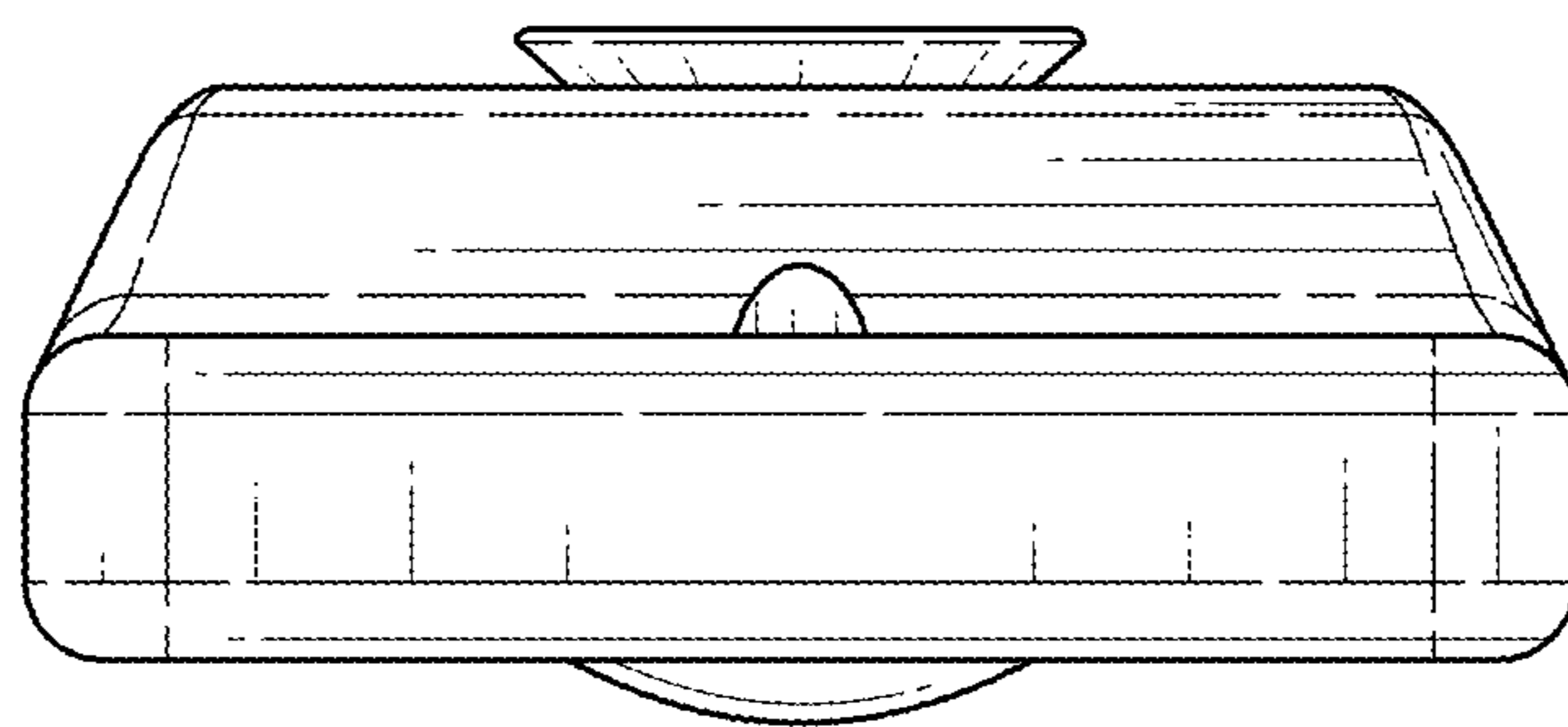


FIG. 8