



US00D871946S

(12) **United States Design Patent** (10) **Patent No.:** **US D871,946 S**
Kleemann et al. (45) **Date of Patent:** **** Jan. 7, 2020**

(54) **FLOWMETER** 9,354,095 B2 * 5/2016 Sorenson G01F 1/6842
D838,614 S * 1/2019 Tschudin G01F 1/58
(71) Applicant: **SONOTEC** D10/96
ULTRASCHALLSENSORIK HALLE D838,615 S * 1/2019 Tschudin D10/96
GMBH, Halle (DE) D838,616 S * 1/2019 Tschudin D10/96
D842,736 S * 3/2019 Laurino G01F 1/6842
(72) Inventors: **Jens Kleemann, Halle (DE); Gunter** D10/96
Weissenborn, Halle (DE); Nicki Bader, 2013/0305839 A1 * 11/2013 Muench G01F 1/667
Halle (DE) 73/861.18
2014/0298920 A1 * 10/2014 Fukano G01F 1/588
(73) Assignee: **SONOTEC Ultraschallsensorik Halle** 73/861.12
GmbH, Halle (DE) 2016/0305808 A1 * 10/2016 Dennison G01F 1/6842

(**) Term: **15 Years**

(21) Appl. No.: **35/504,938**

(22) Filed: **Nov. 17, 2017**

(80) **Hague Agreement Data**

Int. Filing Date: **Nov. 17, 2017**
Int. Reg. No.: **DM/099881**
Int. Reg. Date: **Nov. 17, 2017**
Int. Reg. Pub. Date: **May 18, 2018**

(30) **Foreign Application Priority Data**

May 19, 2017 (DE) 40 2017 100 615

(51) **LOC (12) Cl.** **10-04**

(52) **U.S. Cl.**
USPC **D10/96**

(58) **Field of Classification Search**
USPC D10/46, 96, 103; D24/107, 111, 129,
D24/158, 187
CPC ... G01F 1/00; G01F 1/05; G01F 1/588; G01F
1/667; G01F 1/6842; G09F 3/00; G01L
19/14
See application file for complete search history.

(56) **References Cited**

U.S. PATENT DOCUMENTS

8,127,622 B2 * 3/2012 Kawakami G01F 1/58
73/861.12
9,109,933 B2 * 8/2015 Fukano G01F 1/588

OTHER PUBLICATIONS

Sonoflow Co.55 Clamp-On Sensor—Sonotec <https://www.sonotec.eu/products/non-invasive-fluid-monitoring/flow-rate-measurement/sonoflow-clamp-on-sensor/>retrieved from the internet on Mar. 19, 2019.*

* cited by examiner

Primary Examiner — Mary Ann Calabrese
(74) *Attorney, Agent, or Firm* — Olson & Cepuritis, Ltd.

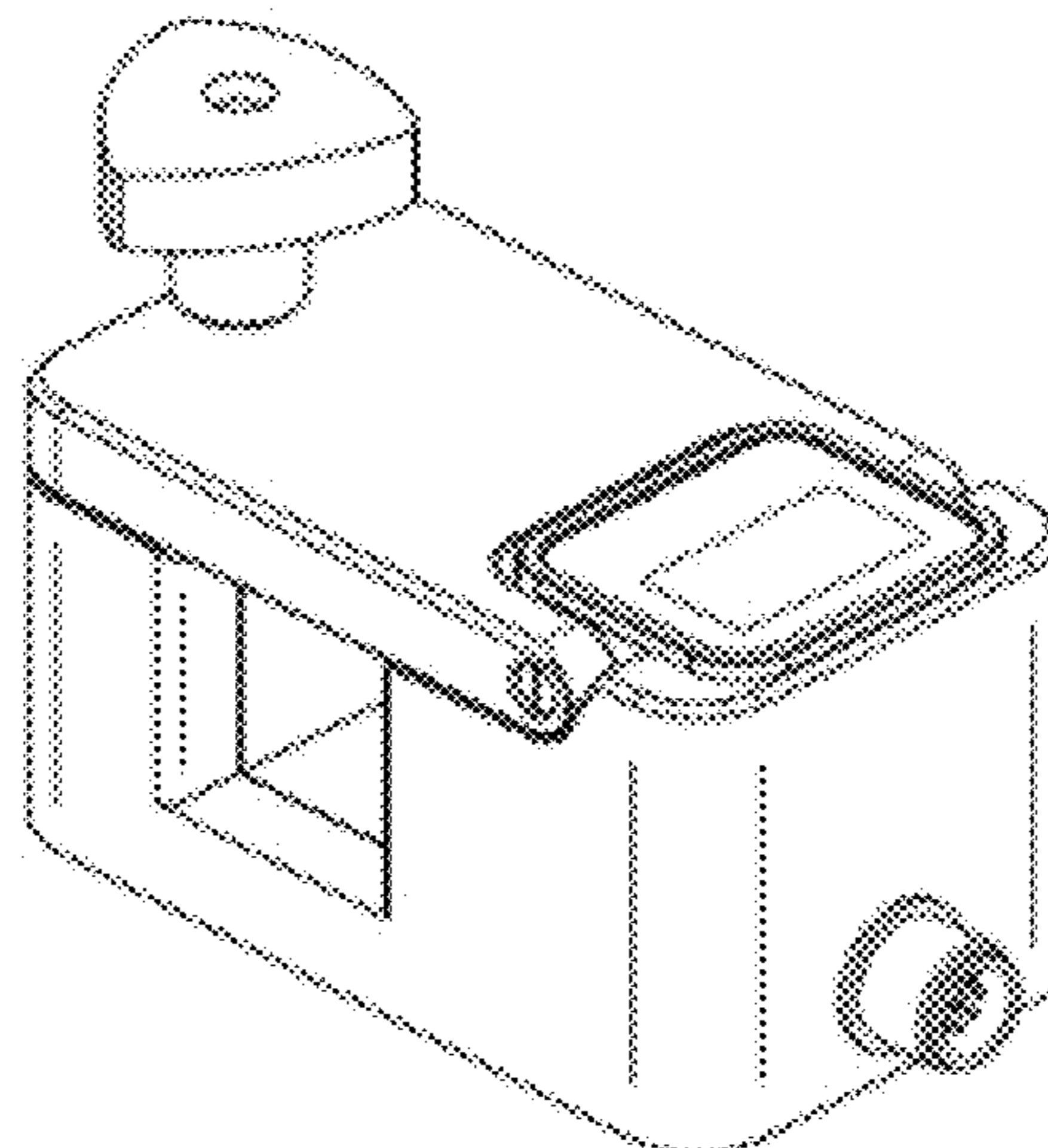
(57) **CLAIM**

The ornamental design for a flowmeter, as shown and described.

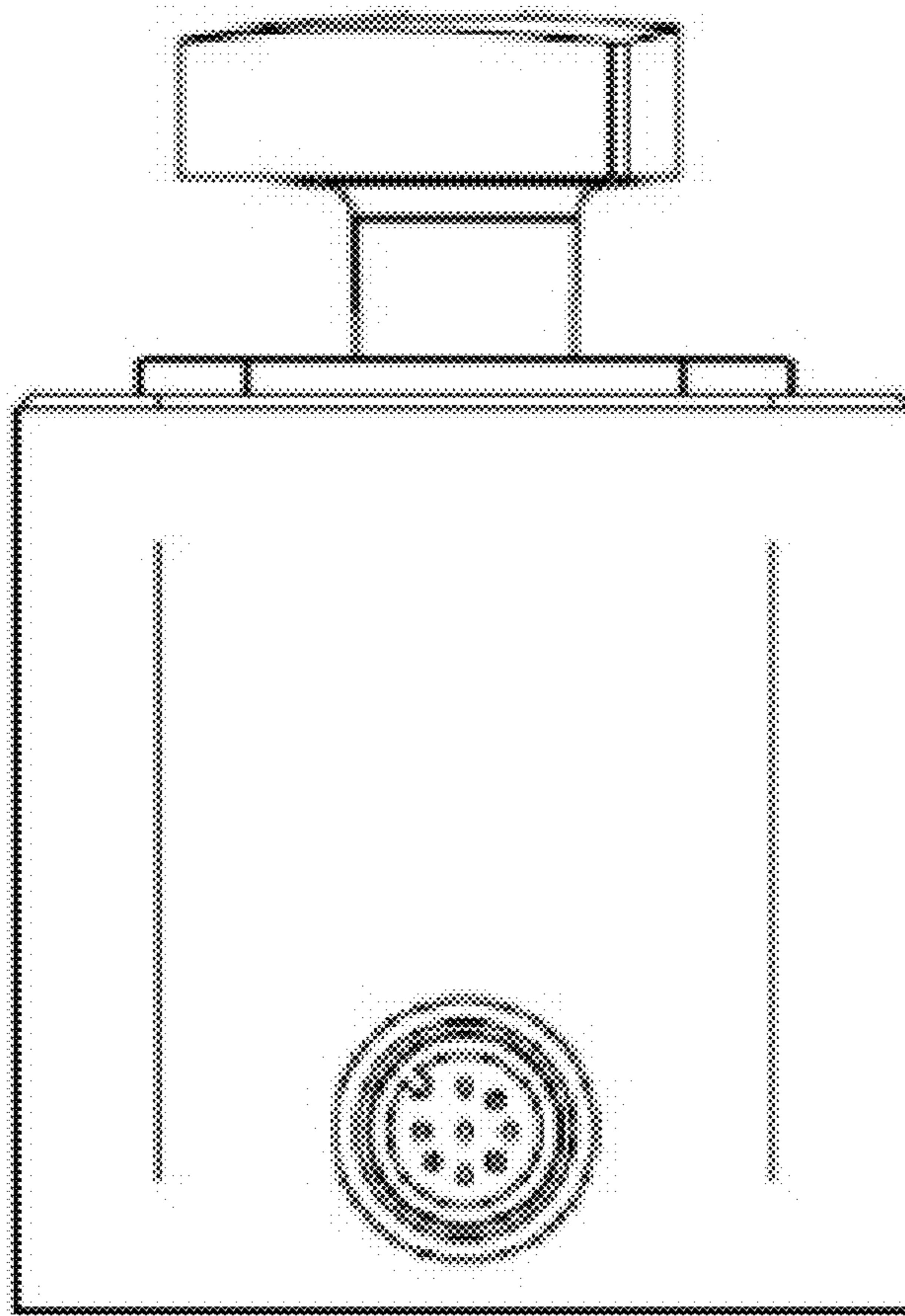
DESCRIPTION

- 2.1 is a front view of a flowmeter.
- 2.2 is a bottom/right perspective view.
- 2.3 is a right side view.
- 2.4 is a back view.
- 2.5 is a top/left perspective view.
- 2.6 is a top/right perspective view.
- 2.7 is a top view.
- 2.8 is a front/right perspective view.

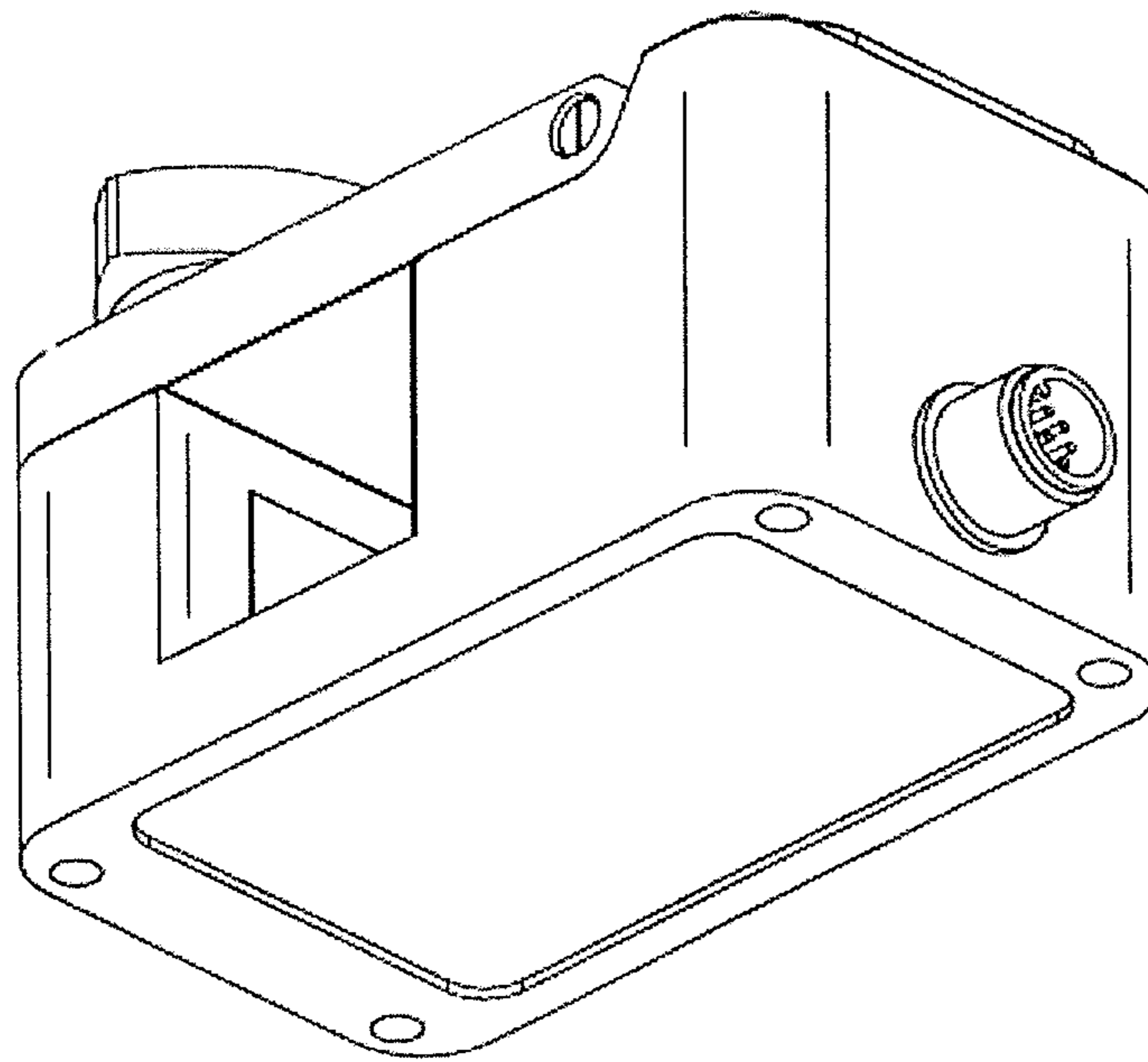
1 Claim, 8 Drawing Sheets



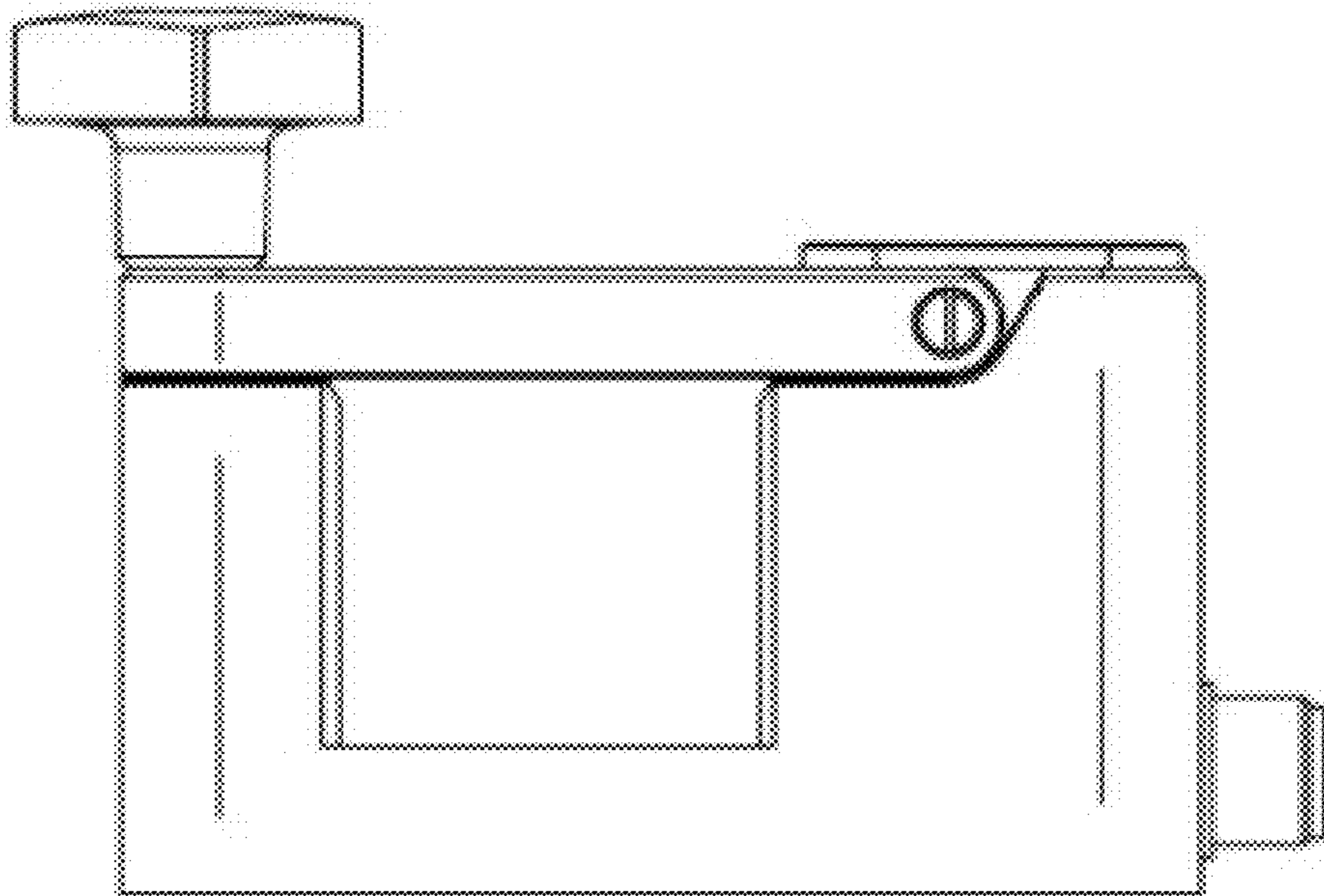
2.1



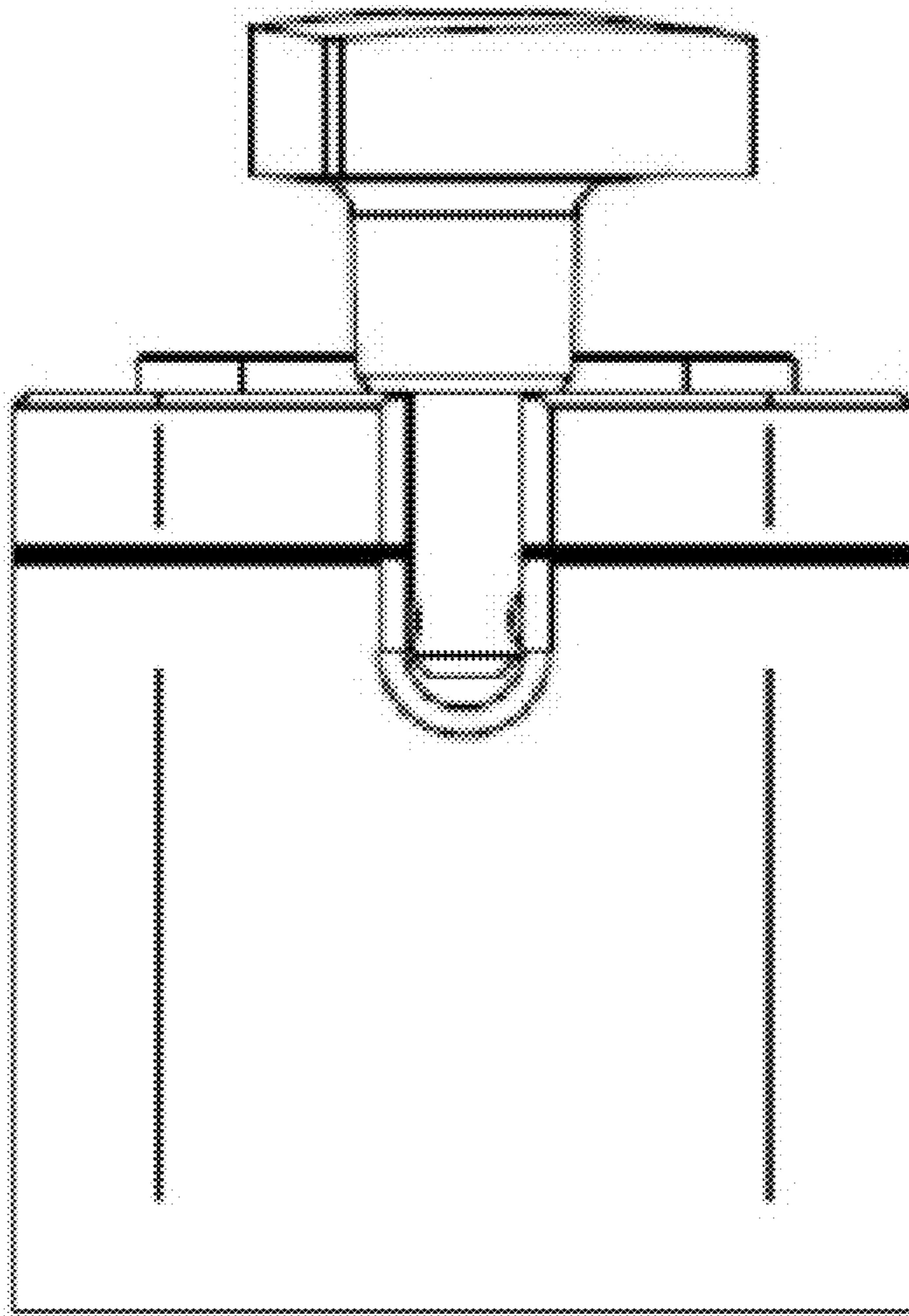
2.2



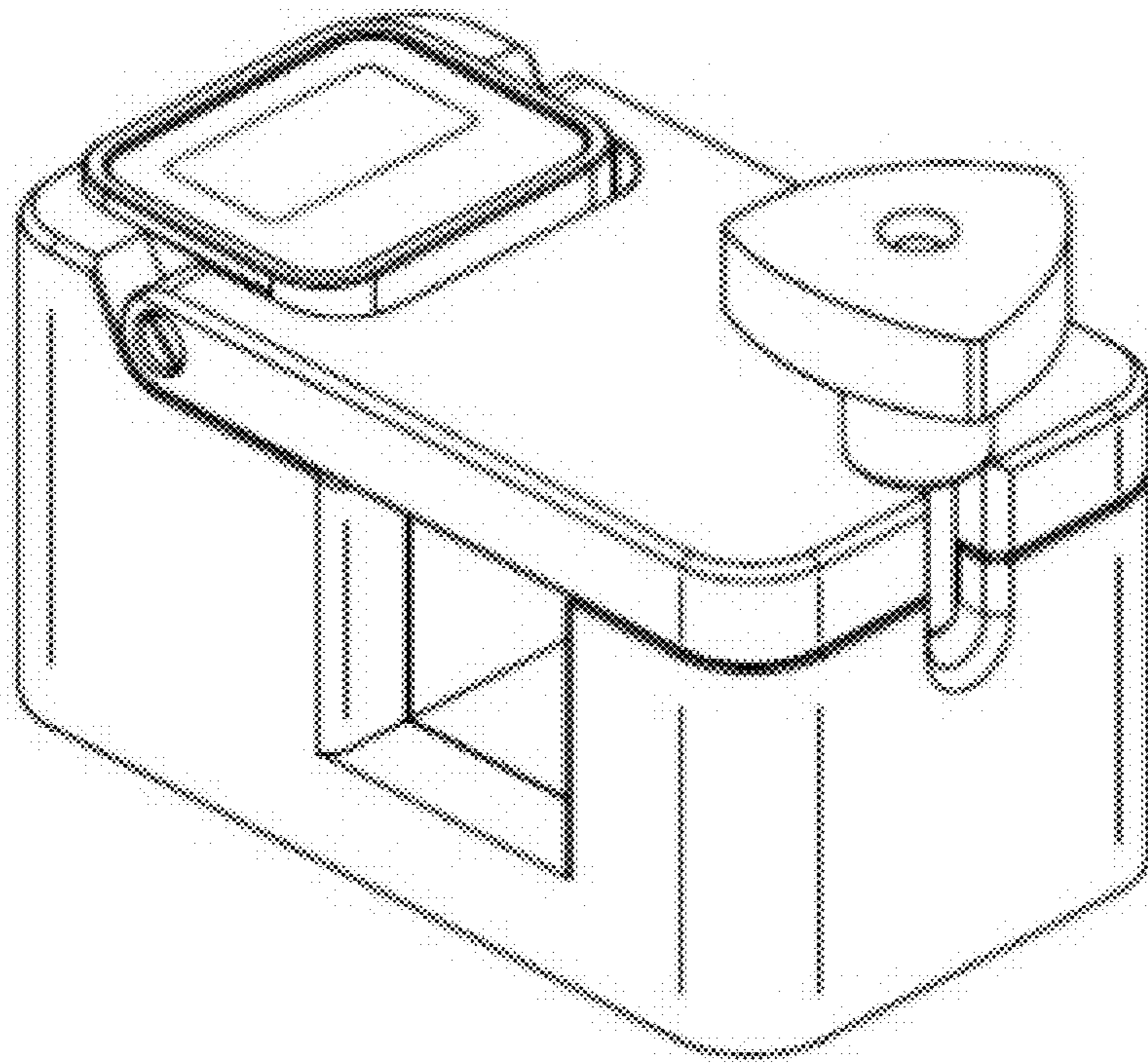
2.3



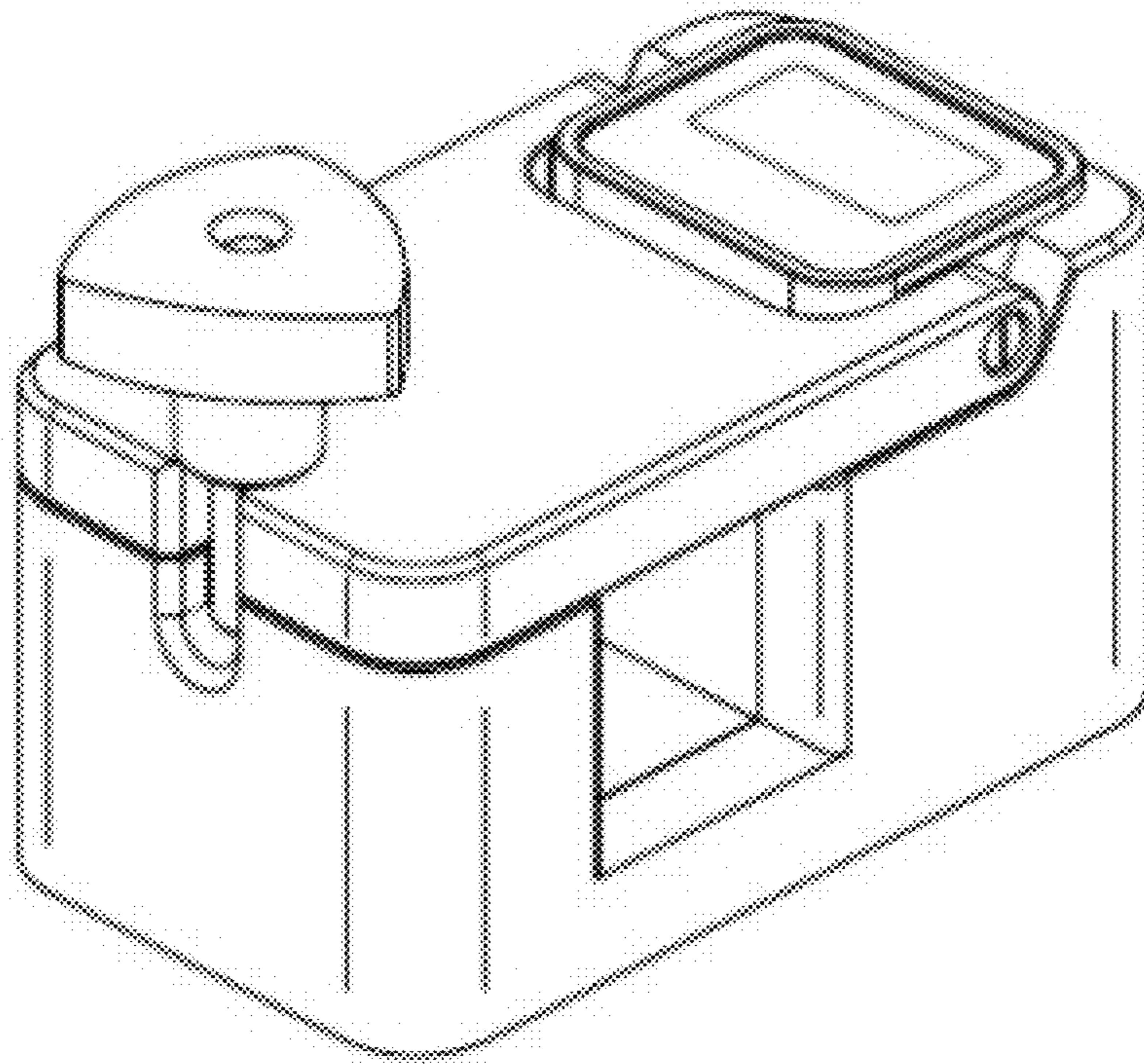
2.4



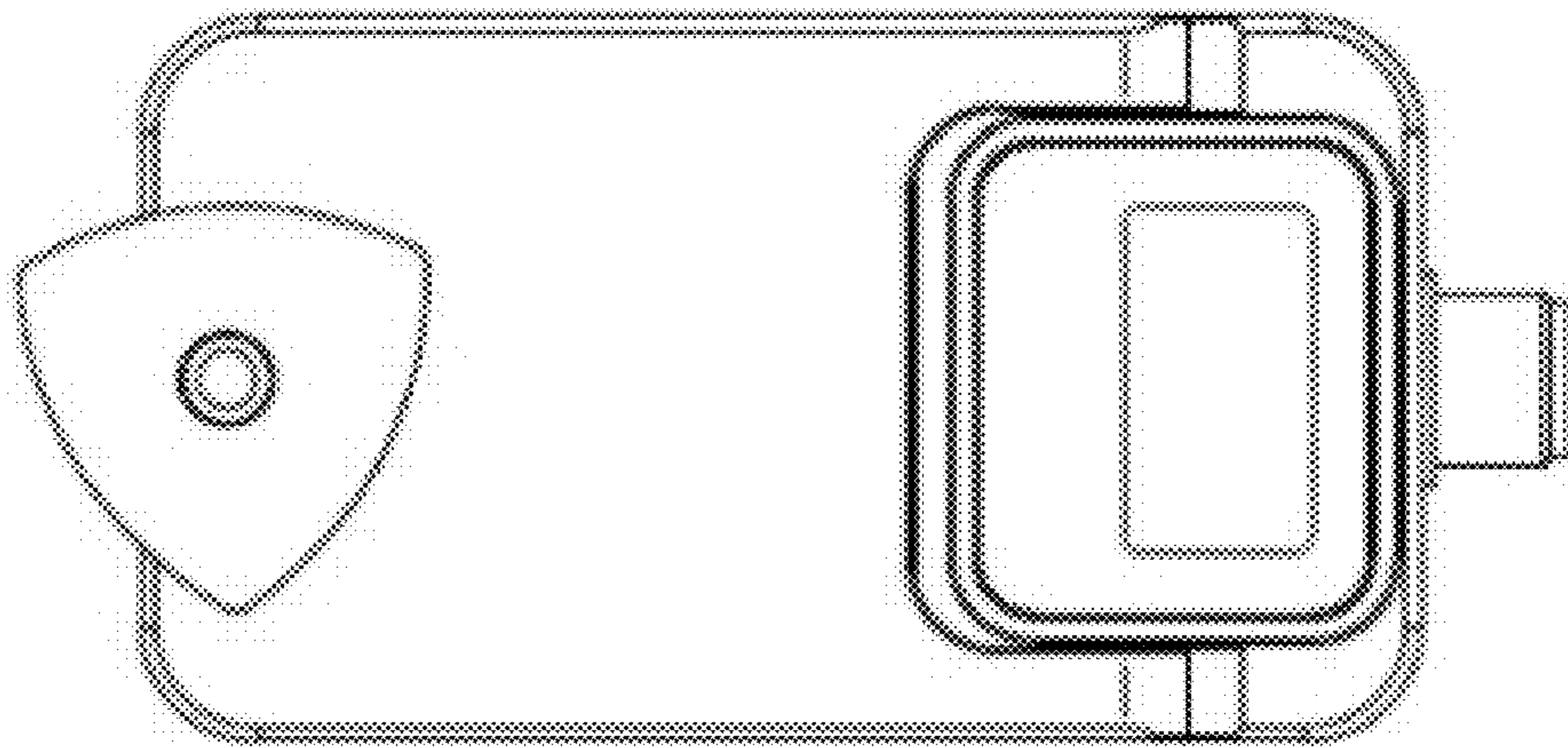
2.5



2.6



2.7



2.8

