



US00D871945S

(12) **United States Design Patent** (10) **Patent No.:** **US D871,945 S**  
**Li** (45) **Date of Patent:** **\*\* Jan. 7, 2020**

(54) **ELECTRONIC SCALE**

(71) Applicant: **GUANGDONG SENSSUN WEIGHING APPARATUS GROUP LTD.**, Zhongshan, Guangdong (CN)

(72) Inventor: **Weiheng Li**, Guangdong (CN)

(73) Assignee: **GUANGDONG SENSSUN WEIGHING APPARATUS GROUP LTD.**, Zhongshan (CN)

(\*\*) Term: **15 Years**

(21) Appl. No.: **29/662,628**

(22) Filed: **Sep. 6, 2018**

(51) **LOC (12) Cl.** ..... **10-04**

(52) **U.S. Cl.**  
USPC ..... **D10/92**

(58) **Field of Classification Search**  
USPC ..... D10/91, 92  
CPC .... G01G 21/28; G01G 21/283; G01G 21/286; G01G 21/30; G01G 23/37; G01G 23/3728; G01G 23/3735; G01G 19/44; G01G 19/445; G01G 19/46; G01G 19/48; G01G 19/50; G01G 21/44; G01G 19/286; G01G 19/30; A61B 5/053; A61B 5/4872; A61B 5/0537; A61B 5/4869; A61B 5/6825; A61B 5/6829; A61B 5/7445

See application file for complete search history.

(56) **References Cited**

U.S. PATENT DOCUMENTS

D504,631 S *	5/2005	Perlman	.....	D10/91
D758,227 S *	6/2016	Thirouin	.....	D10/91
9,719,843 B2 *	8/2017	Thirouin	.....	G01G 21/28
D817,797 S *	5/2018	Huckestein	.....	D10/91
D853,259 S *	7/2019	Huckestein	.....	D10/91

\* cited by examiner

*Primary Examiner* — Antoine Duval Davis

(57) **CLAIM**

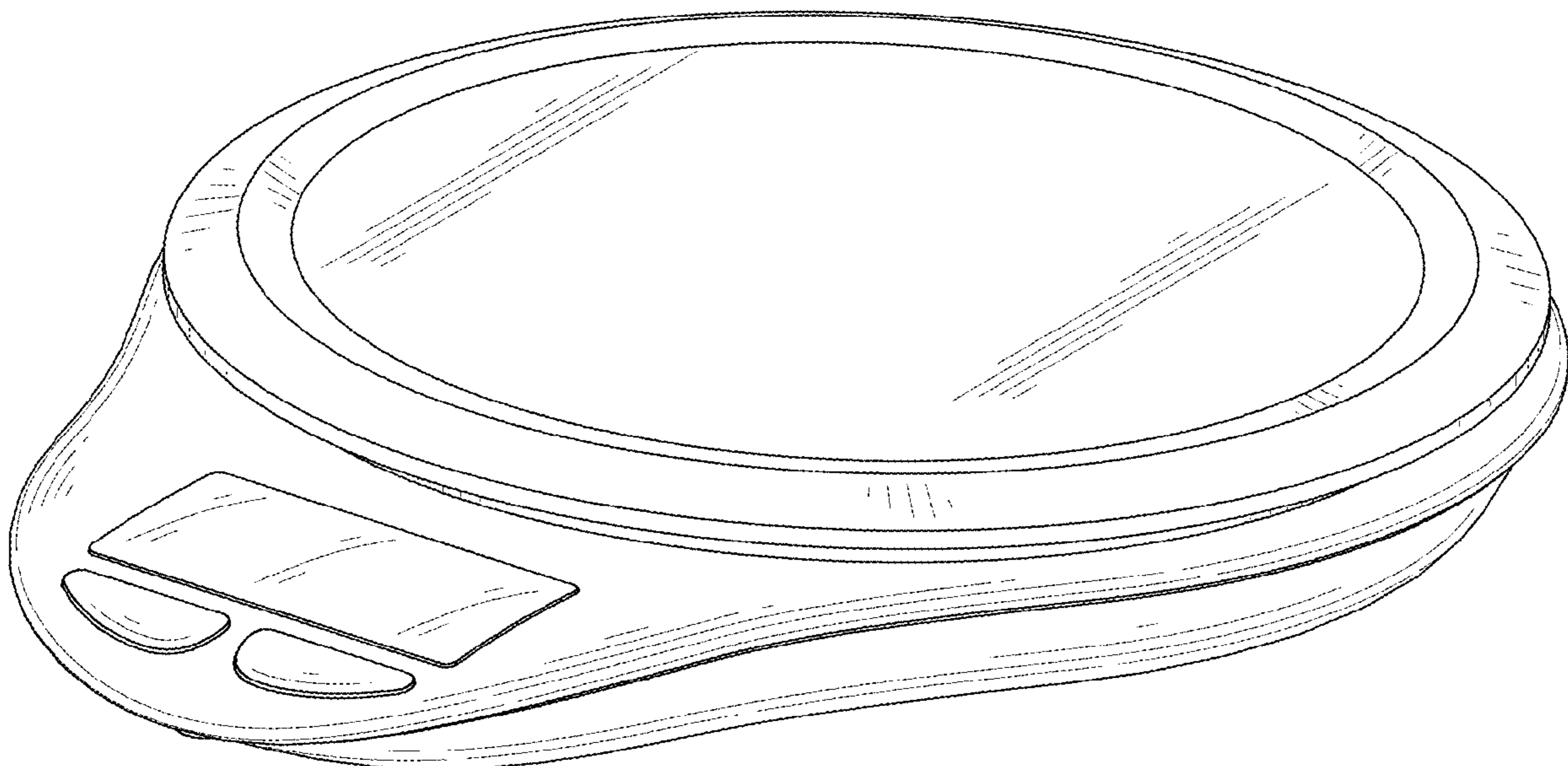
The ornamental design for an electronic scale, as shown and described.

**DESCRIPTION**

FIG. 1 is a top, front and right side perspective view of an electronic scale showing my new design;  
 FIG. 2 is a bottom, front and right side perspective view thereof;  
 FIG. 3 is a front elevational view thereof;  
 FIG. 4 is a rear elevational view thereof;  
 FIG. 5 is a left side view thereof;  
 FIG. 6 is a right side view thereof;  
 FIG. 7 is a top plan view thereof;  
 FIG. 8 is a bottom plan view thereof; and,  
 FIG. 9 is an enlarged view of portion 9 in FIG. 2.

The broken lines in the drawings illustrate portions of the electronic scale which form no part of the claimed design. The oblique shade lines in FIG. 1, FIG. 3 and FIG. 7 represent reflective surfaces.

**1 Claim, 9 Drawing Sheets**



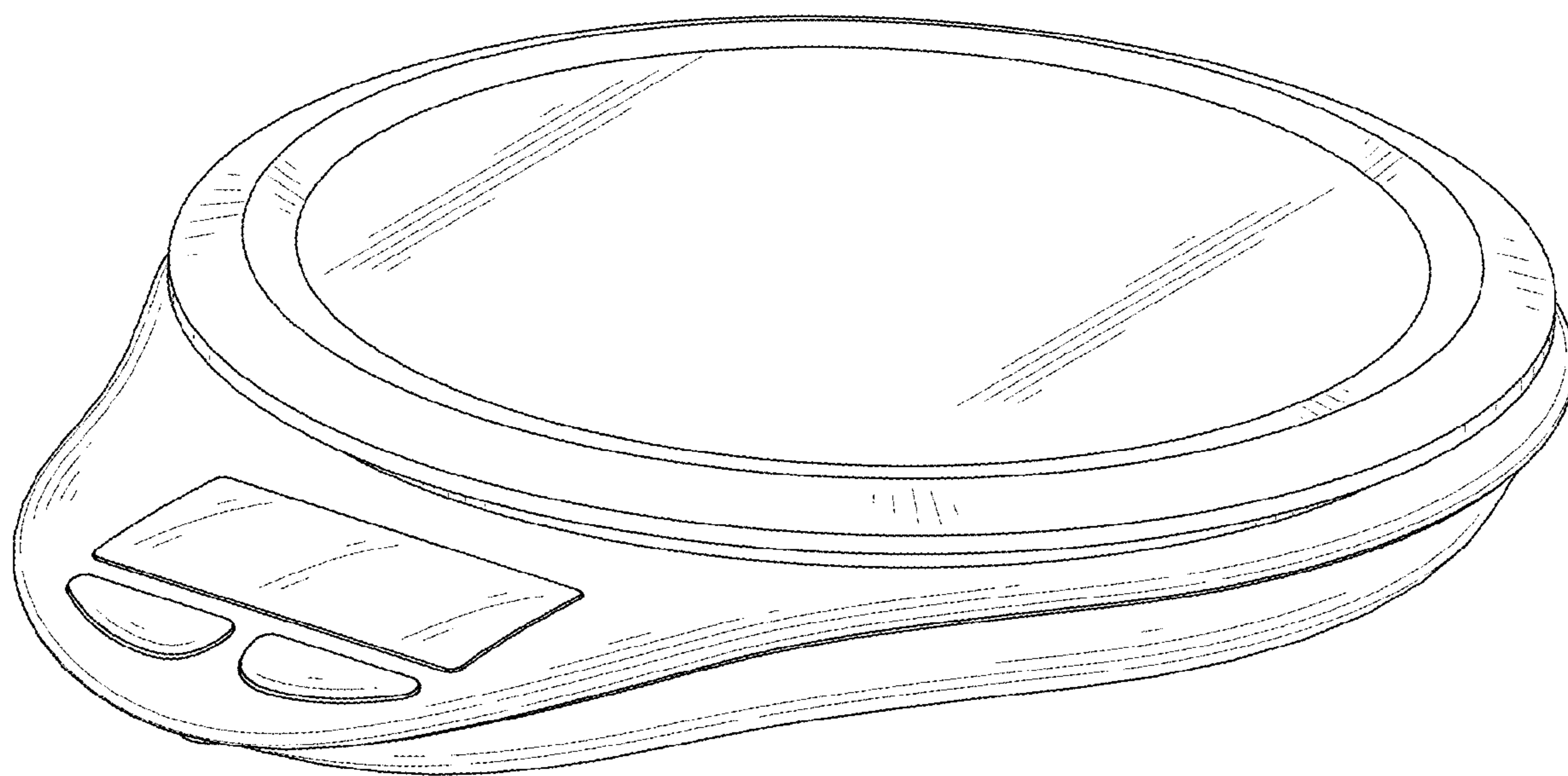


FIG. 1

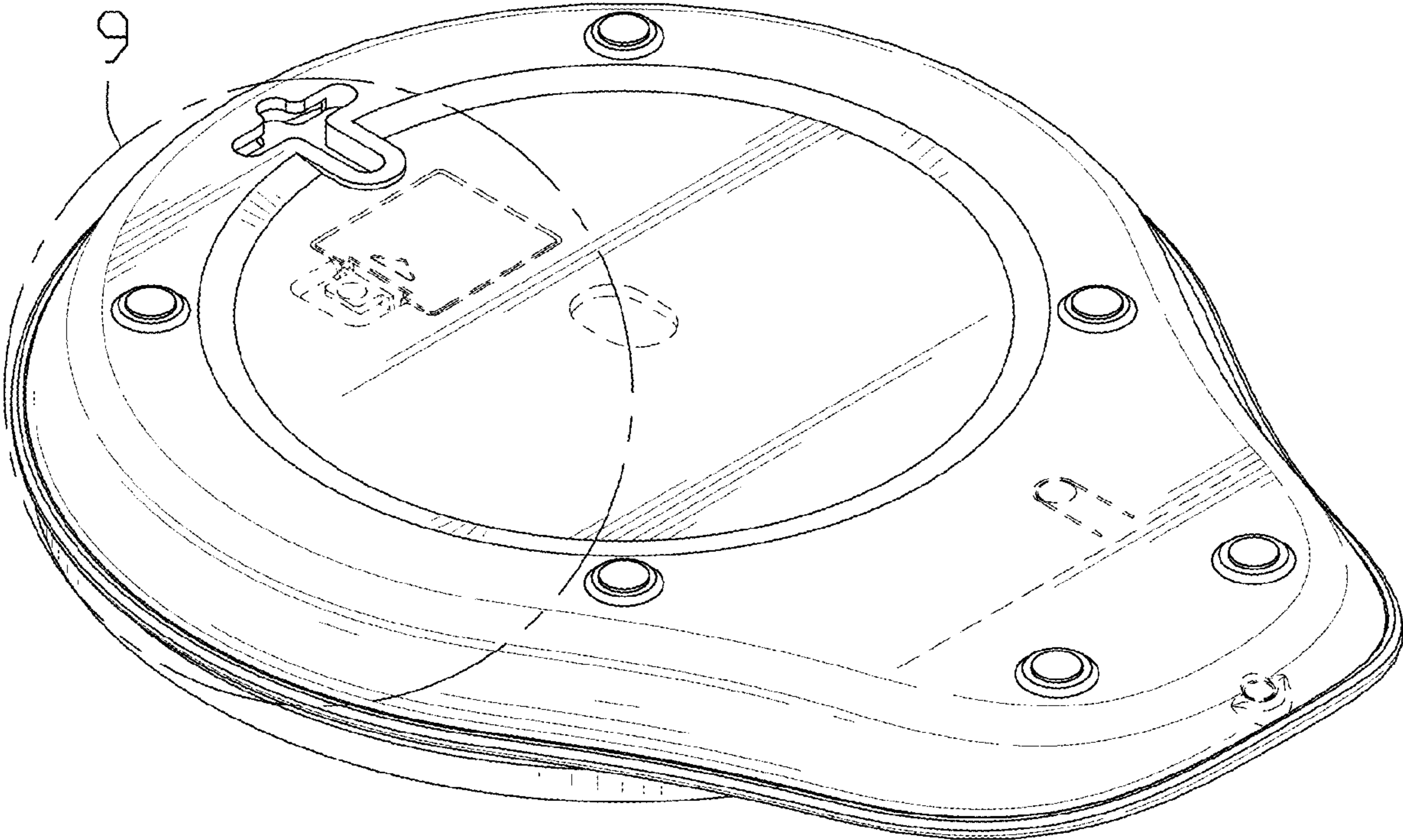


FIG. 2

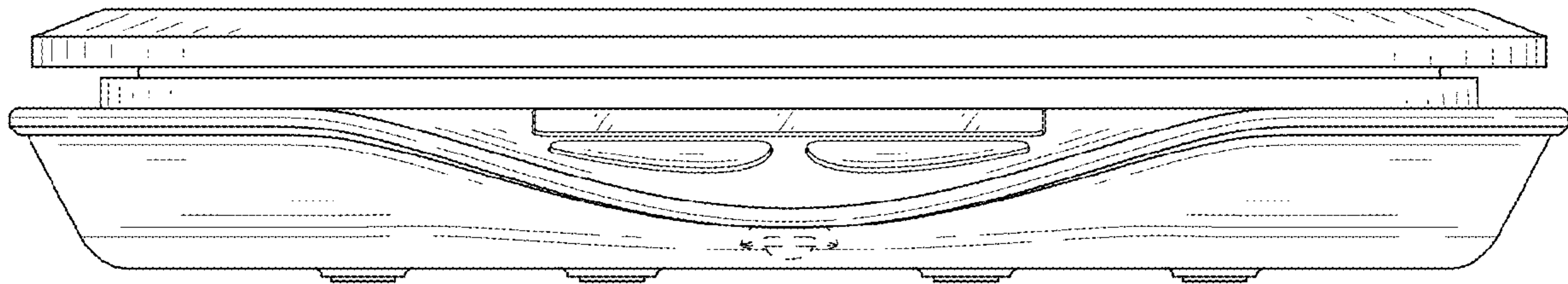


FIG. 3

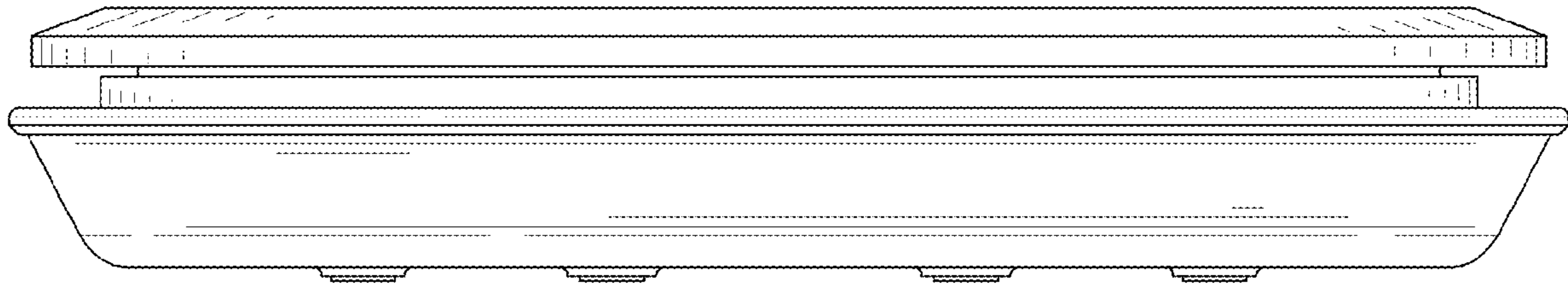


FIG. 4



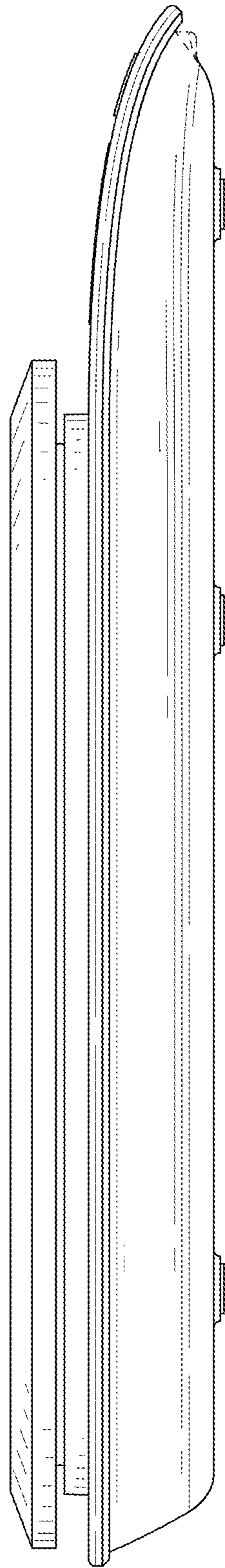


FIG. 5

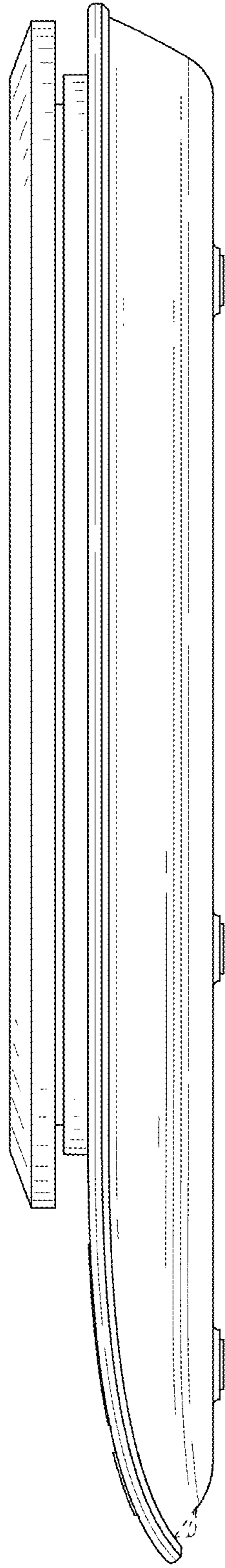


FIG. 6

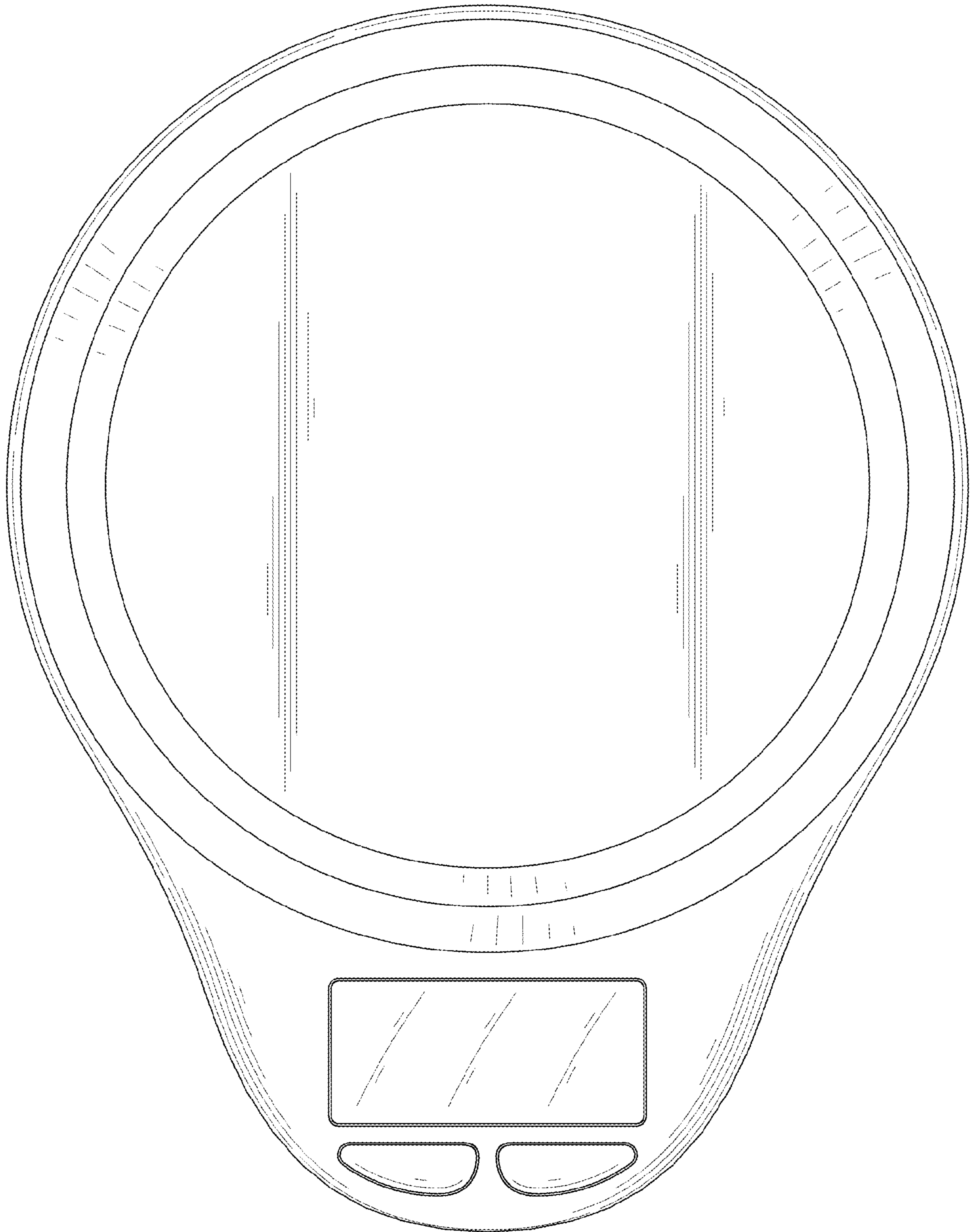


FIG. 7



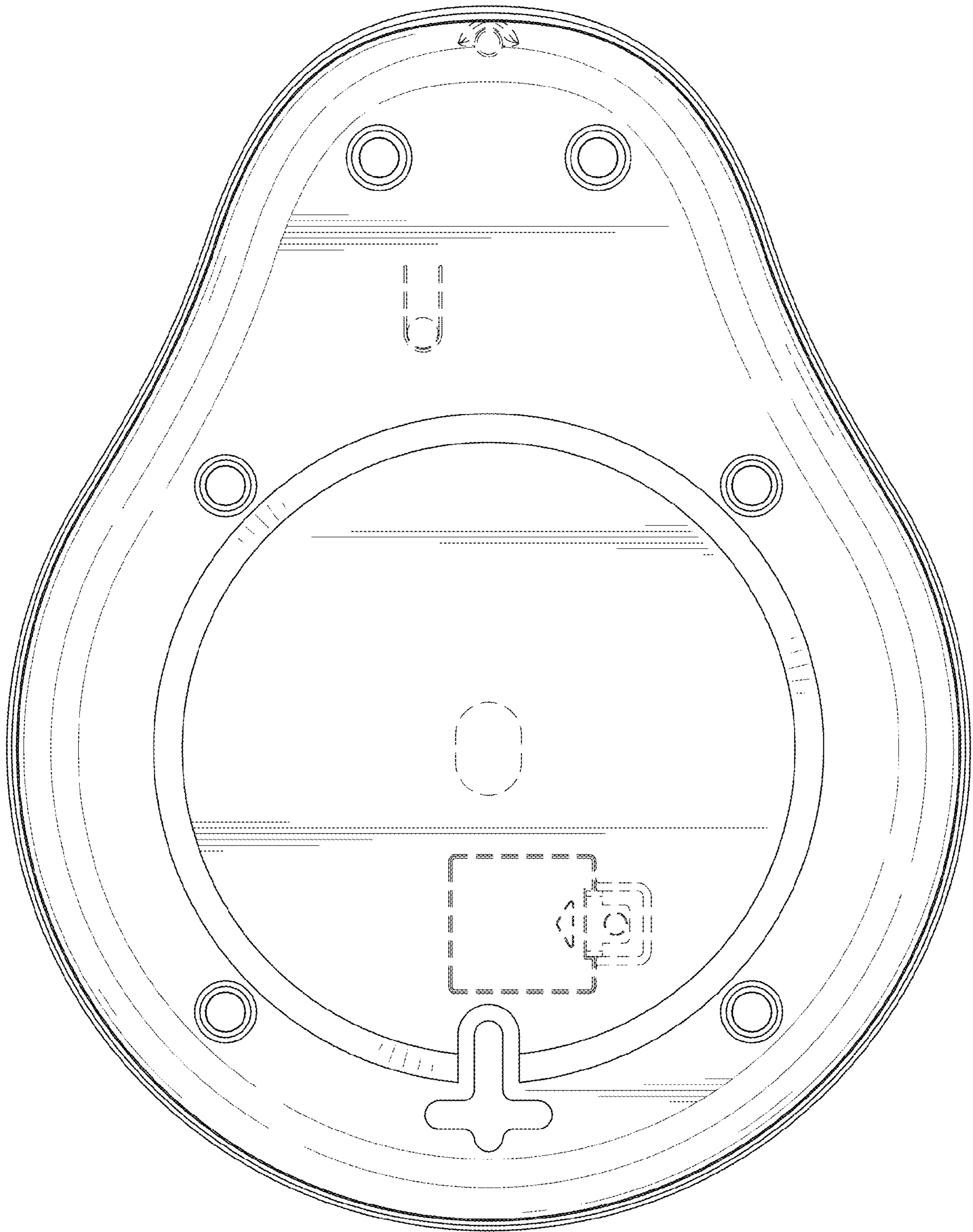


FIG. 8

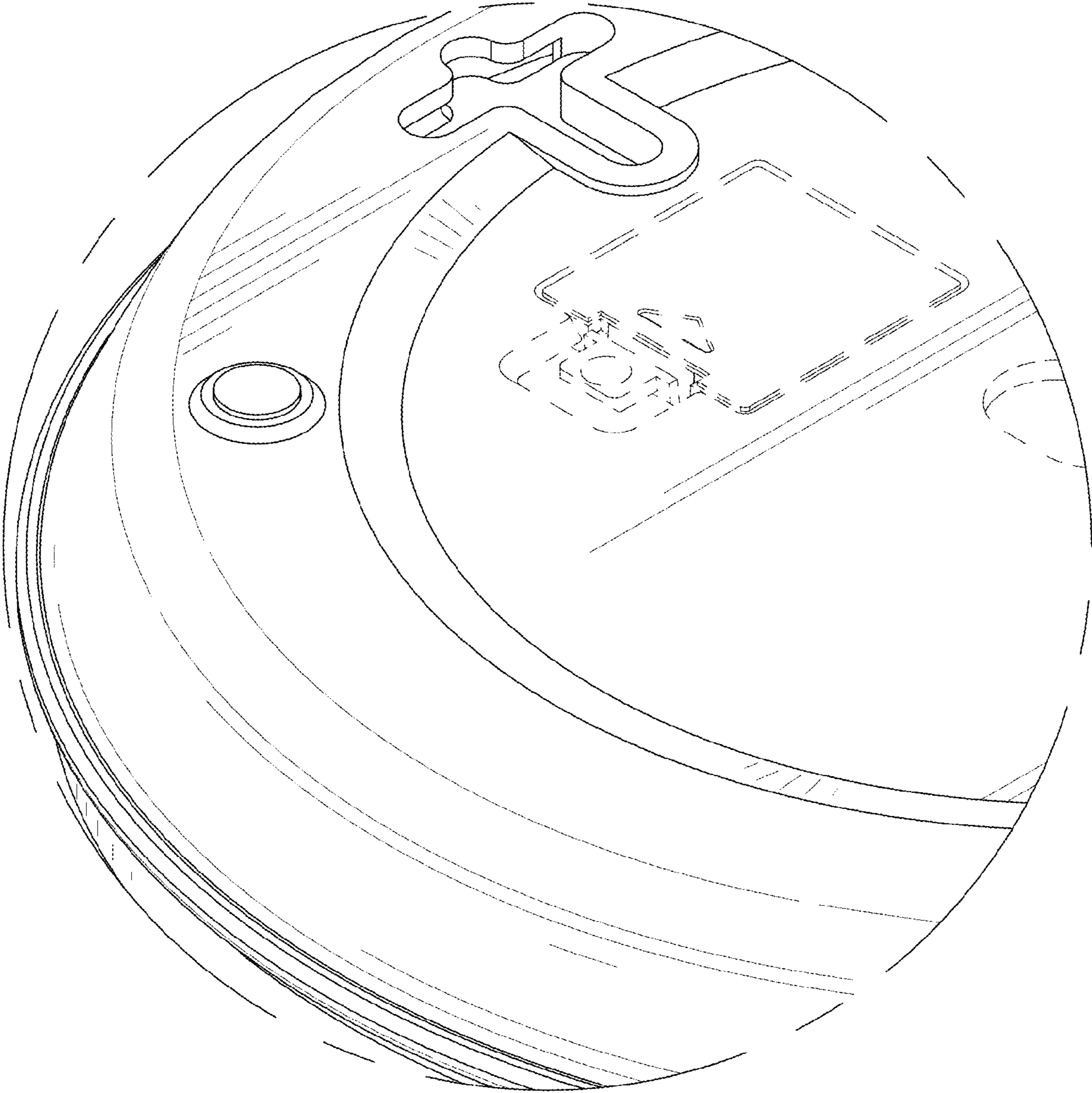


FIG. 9