



US00D871944S

(12) **United States Design Patent**
Pennebaker, III

(10) **Patent No.:** **US D871,944 S**

(45) **Date of Patent:** **** Jan. 7, 2020**

(54) **WIRELESS SENSOR SYSTEM**

(71) Applicant: **E. Strode Pennebaker, III**, Houston, TX (US)

(72) Inventor: **E. Strode Pennebaker, III**, Houston, TX (US)

(**) Term: **15 Years**

(21) Appl. No.: **29/677,342**

(22) Filed: **Jan. 18, 2019**

Related U.S. Application Data

(60) Continuation of application No. 29/624,531, filed on Nov. 1, 2017, now Pat. No. Des. 842,727, which is a division of application No. 29/574,481, filed on Aug. 16, 2016, now Pat. No. Des. 805,414.

(51) **LOC (12) Cl.** **10-04**

(52) **U.S. Cl.**
USPC **D10/83; D10/102**

(58) **Field of Classification Search**

USPC **D10/83, 84, 85, 96, 102**

CPC **G01H 9/00; G01H 9/002; G01H 9/004;**

G01H 9/006; G01H 9/008; G01P 15/00;

G01P 15/093; G01P 15/15; G01V 1/18;

G01V 1/181; E21B 47/00; G01F 23/00;

G01F 23/18; G01F 23/28; G01F 23/296;

G01F 23/2962; G01F 25/0061; G01N

29/06; G01N 29/0609; G01N 29/0618;

G01N 29/0627; G01N 29/0636; G01N

29/0645; G01N 29/07; G01N 29/09;

G01N 29/11; G01N 29/12; G01N 29/22;

G01N 29/221; G01N 29/222; G01N

29/223; G01N 29/225; G01N 29/226;

G01N 29/227; G01N 29/228

See application file for complete search history.

(56) **References Cited**

U.S. PATENT DOCUMENTS

D805,414 S * 12/2017 Pennebaker, III D10/83

D826,756 S * 8/2018 Huang D10/86

* cited by examiner

Primary Examiner — Antoine Duval Davis

(74) *Attorney, Agent, or Firm* — Osha Liang LLP

(57) **CLAIM**

The ornamental design for a wireless sensor system, as shown and described.

DESCRIPTION

FIG. 1 is a perspective view of a wireless sensor system showing a first embodiment of the new design;

FIG. 2 is a top view of the first embodiment of the wireless sensor system of FIG. 1;

FIG. 3 is a bottom view of the first embodiment of the wireless sensor system of FIG. 1;

FIG. 4 is a front view of the first embodiment of the wireless sensor system of FIG. 1;

FIG. 5 is a rear view of the first embodiment of the wireless sensor system of FIG. 1;

FIG. 6 is a left side view of the first embodiment of the wireless sensor system of FIG. 1;

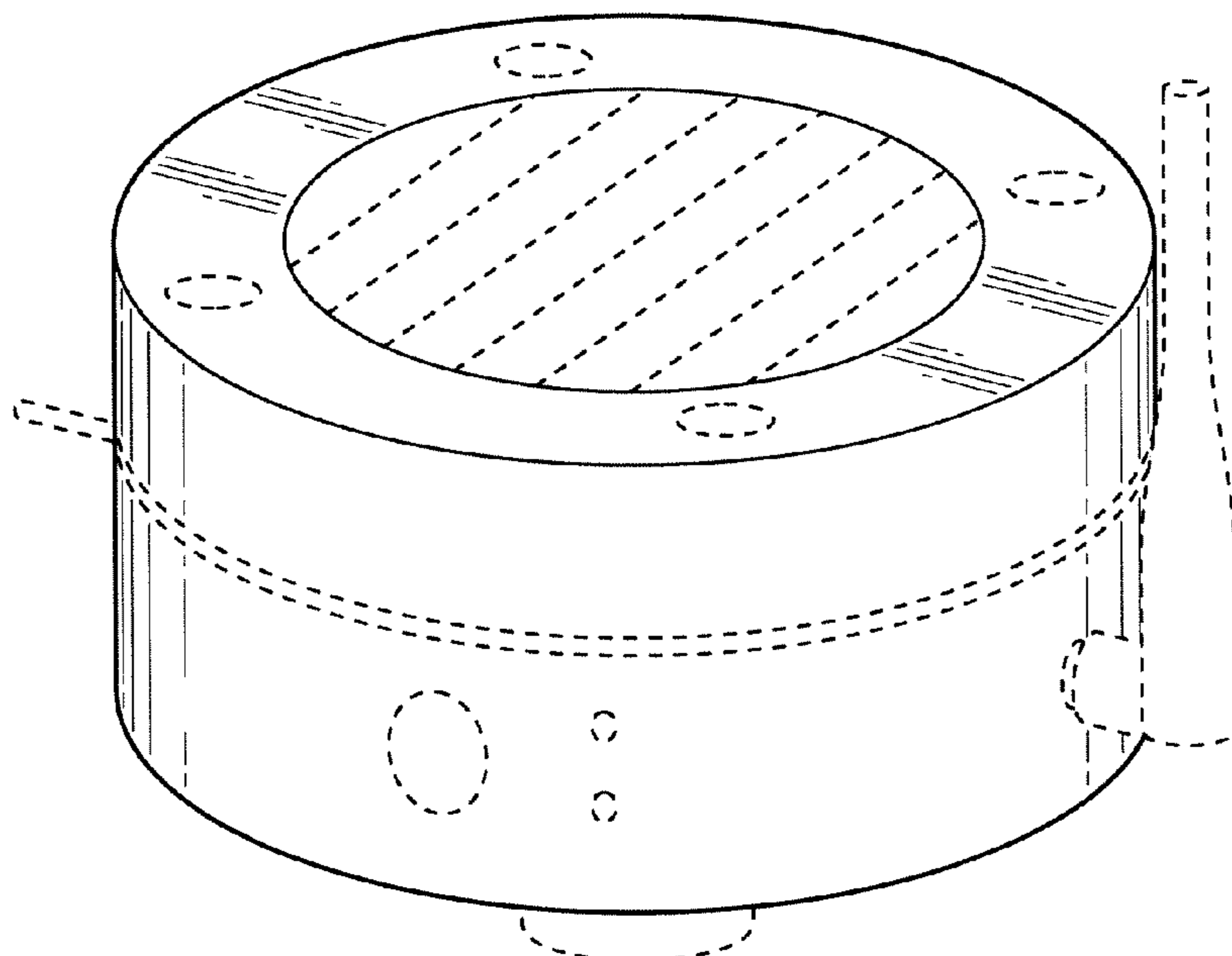
FIG. 7 is a right side view of the first embodiment of the wireless sensor system of FIG. 1;

FIG. 8 is a perspective view of a wireless sensor system showing a second embodiment of the new design; and,

FIG. 9 is a perspective view of a wireless sensor system showing a third embodiment of the new design.

The broken lines depict unclaimed portions of the wireless sensor system and form no part of the claimed design.

1 Claim, 6 Drawing Sheets



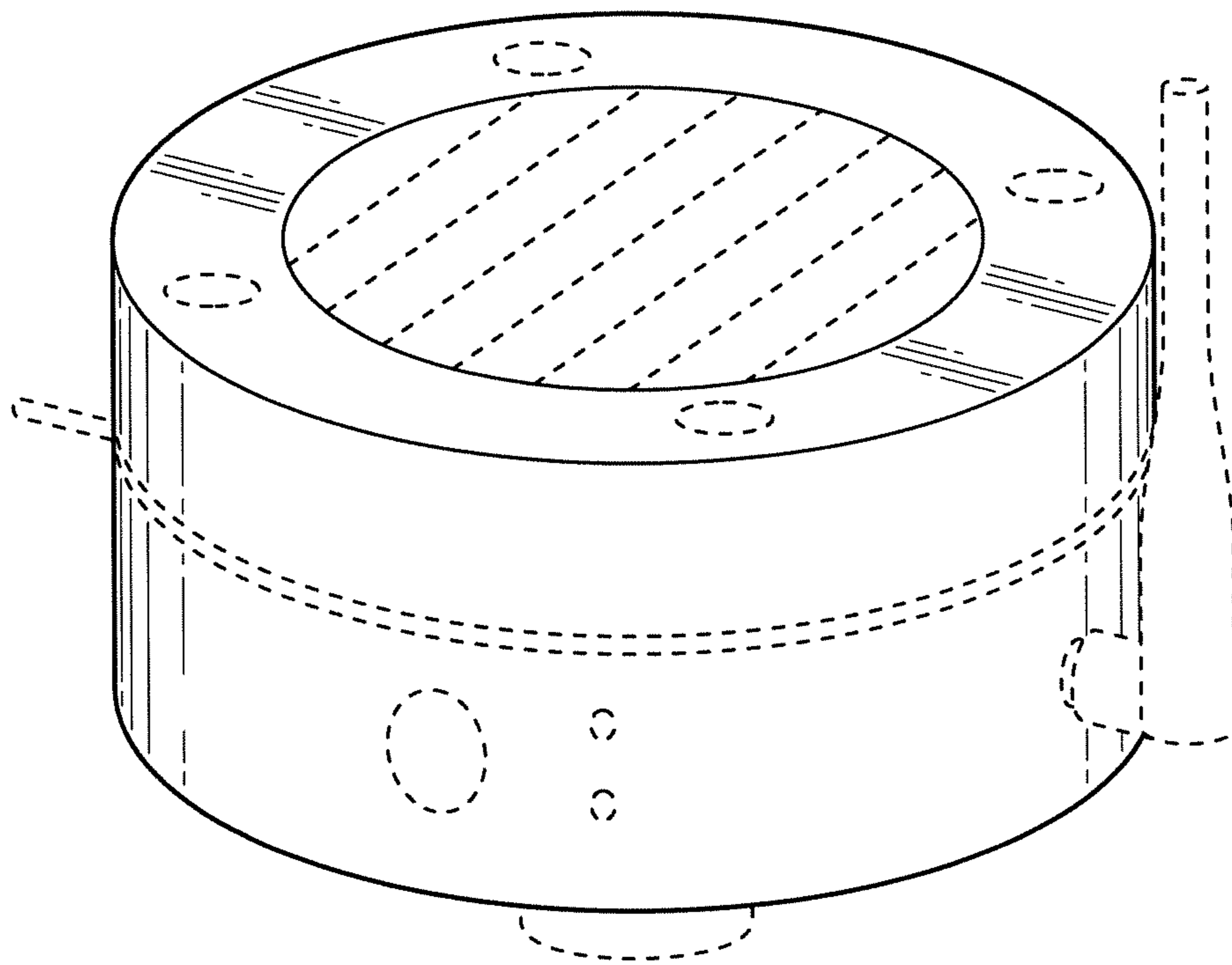


FIG. 1

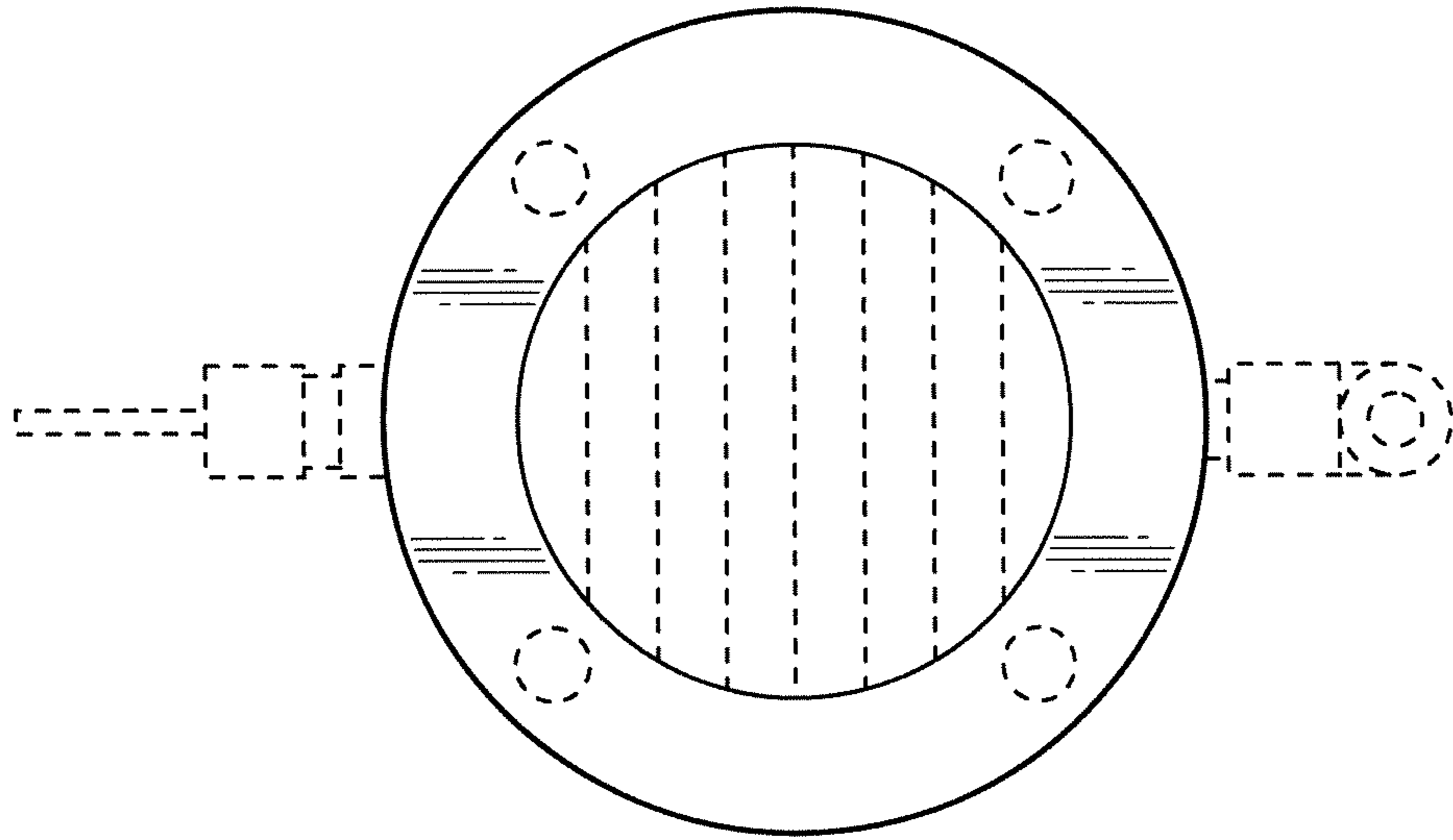


FIG. 2

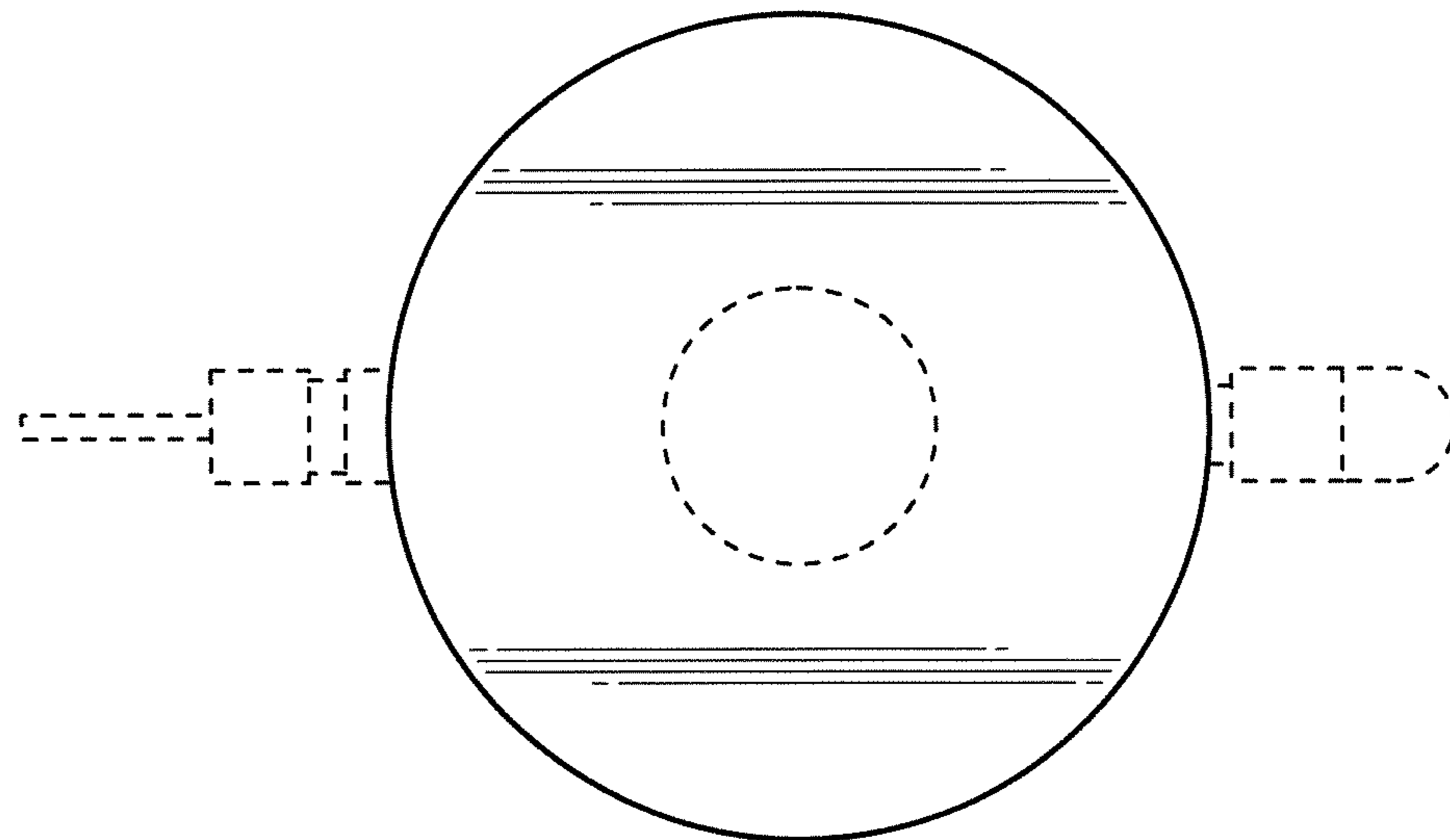


FIG. 3

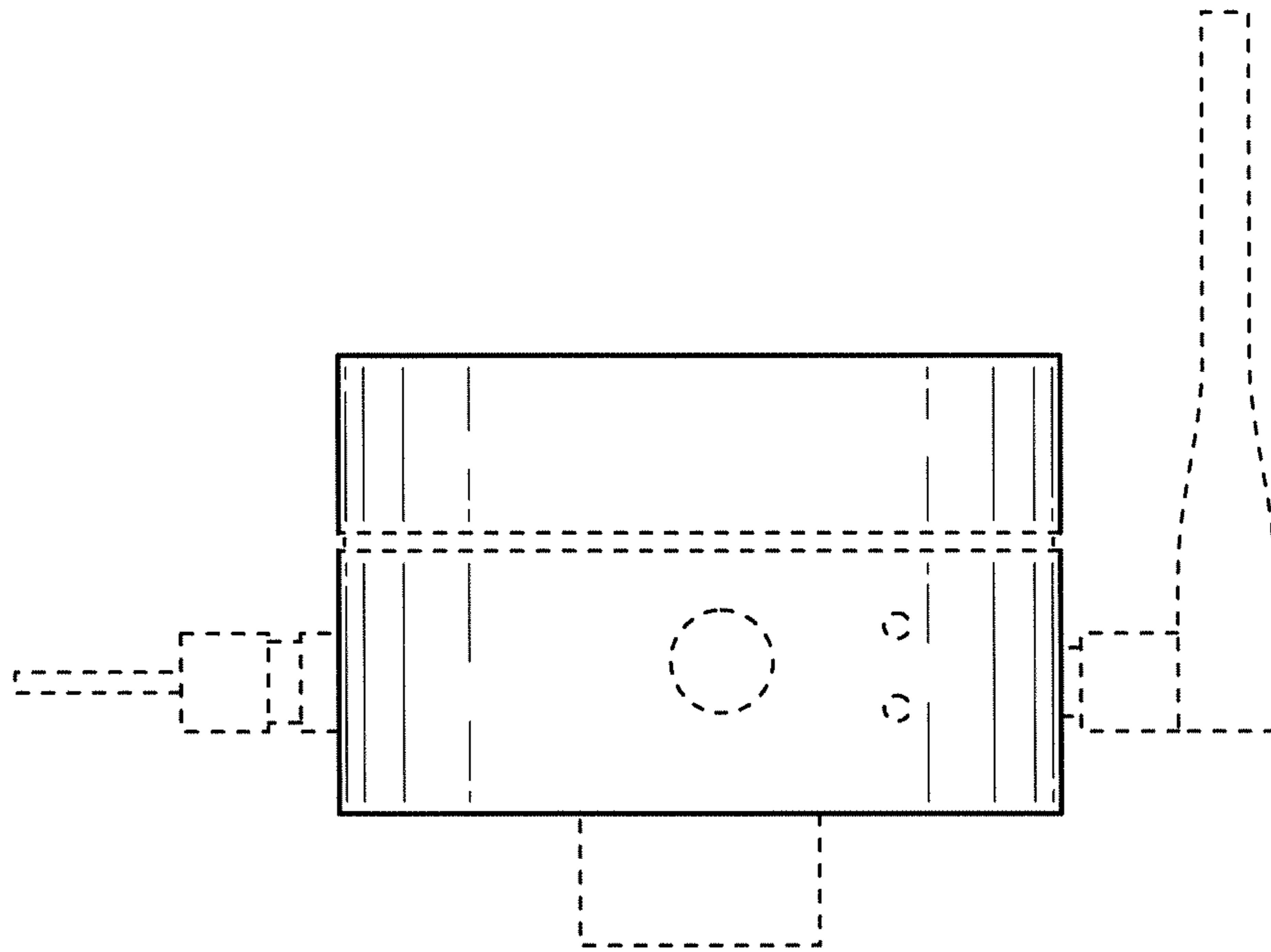


FIG. 4

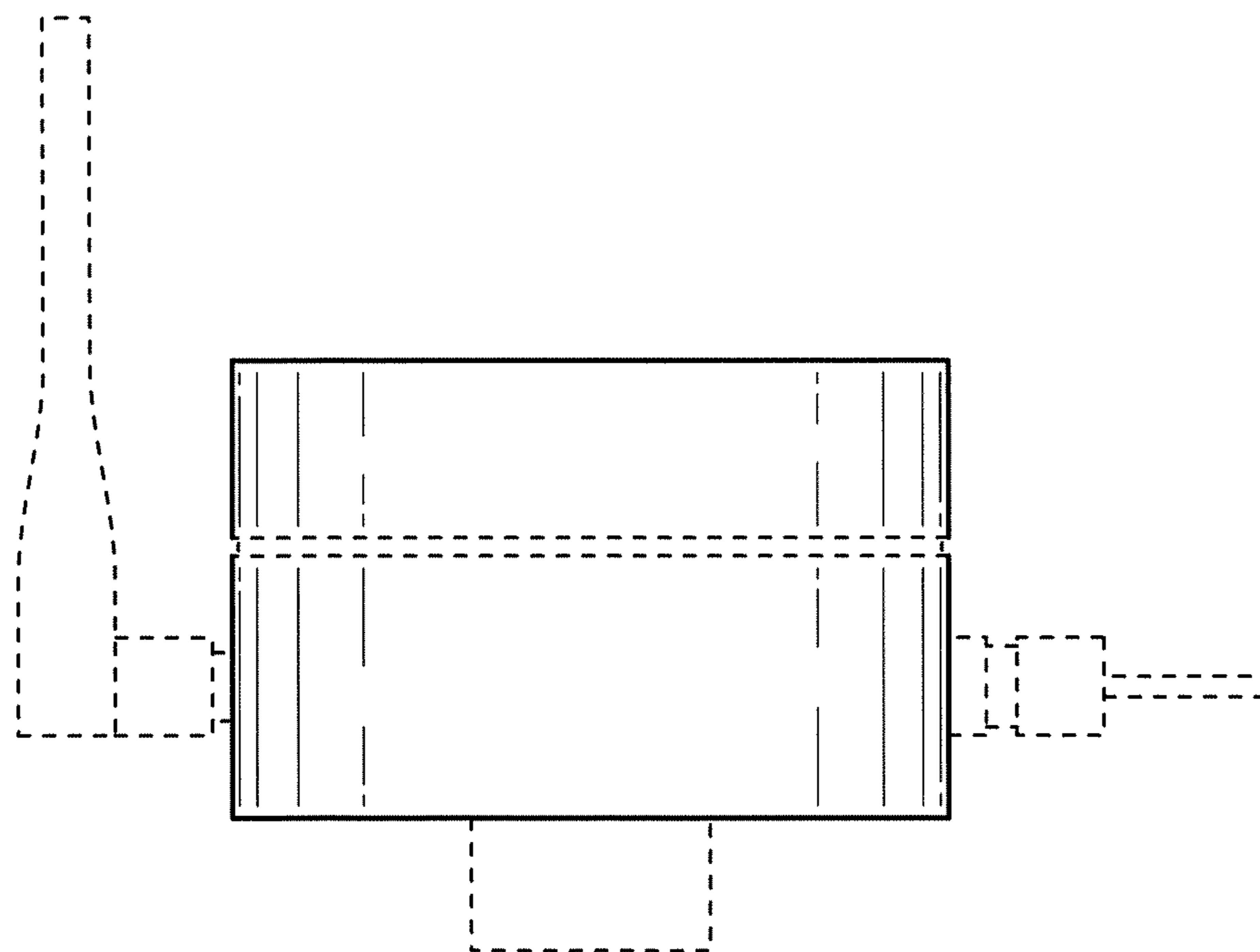


FIG. 5

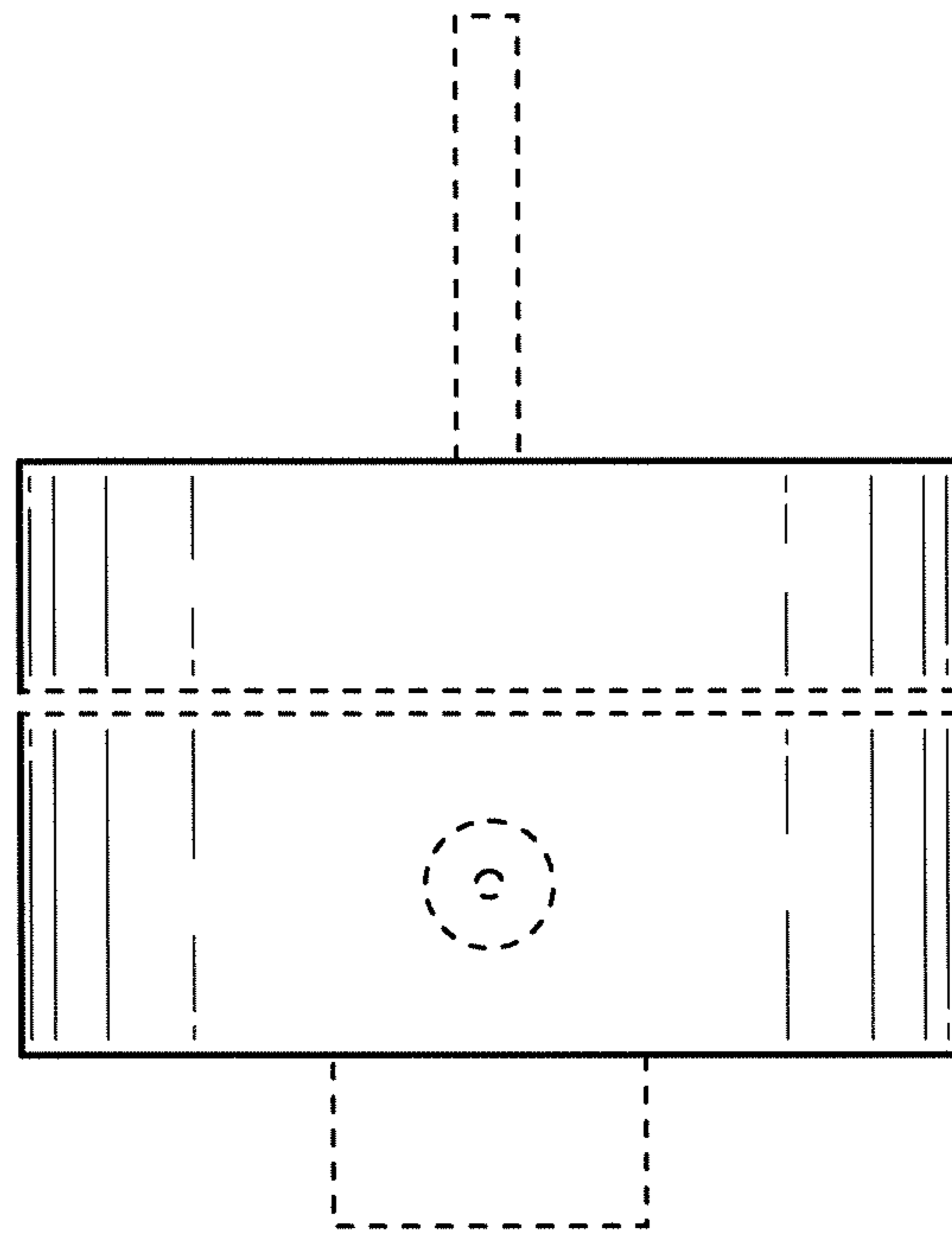


FIG. 6

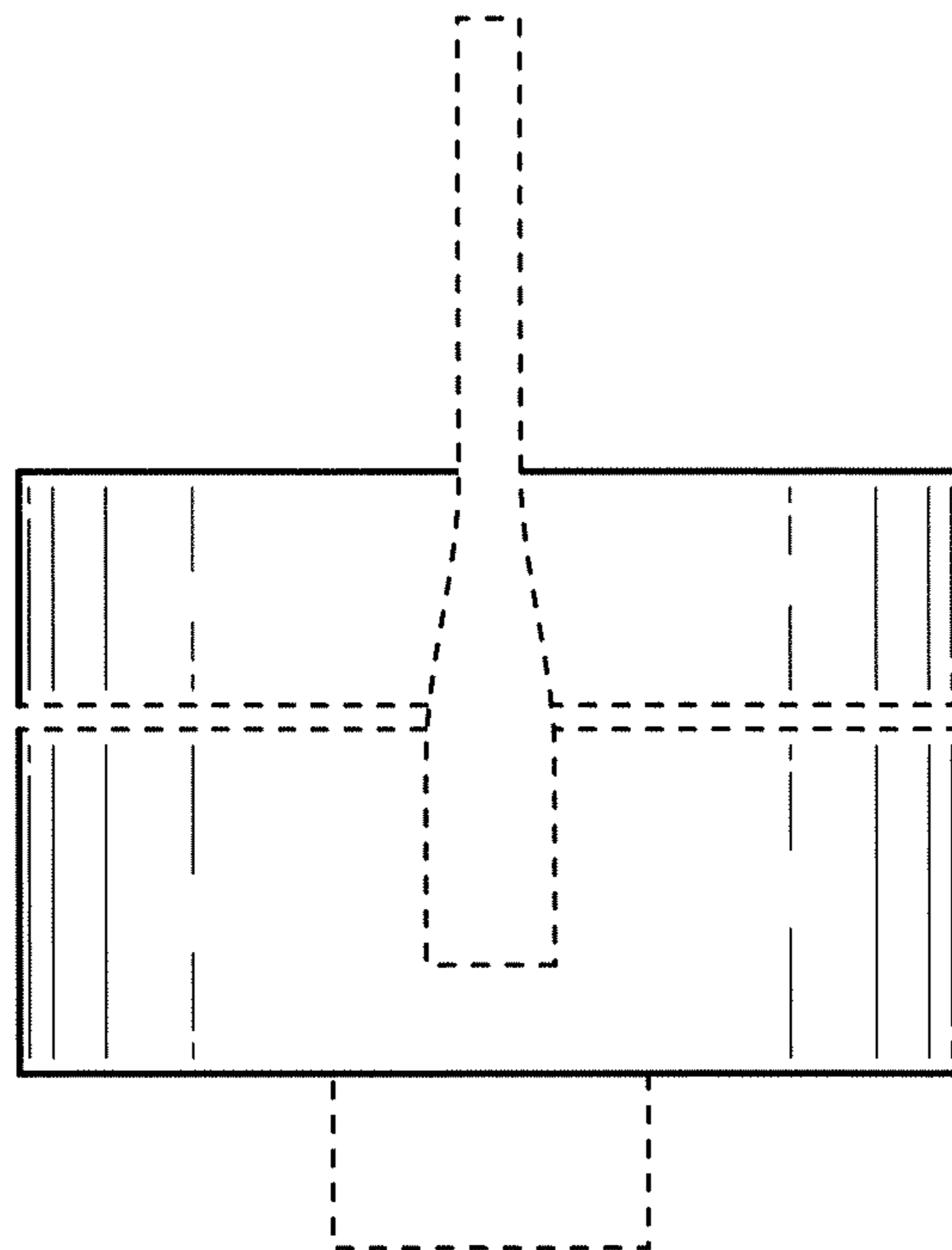


FIG. 7

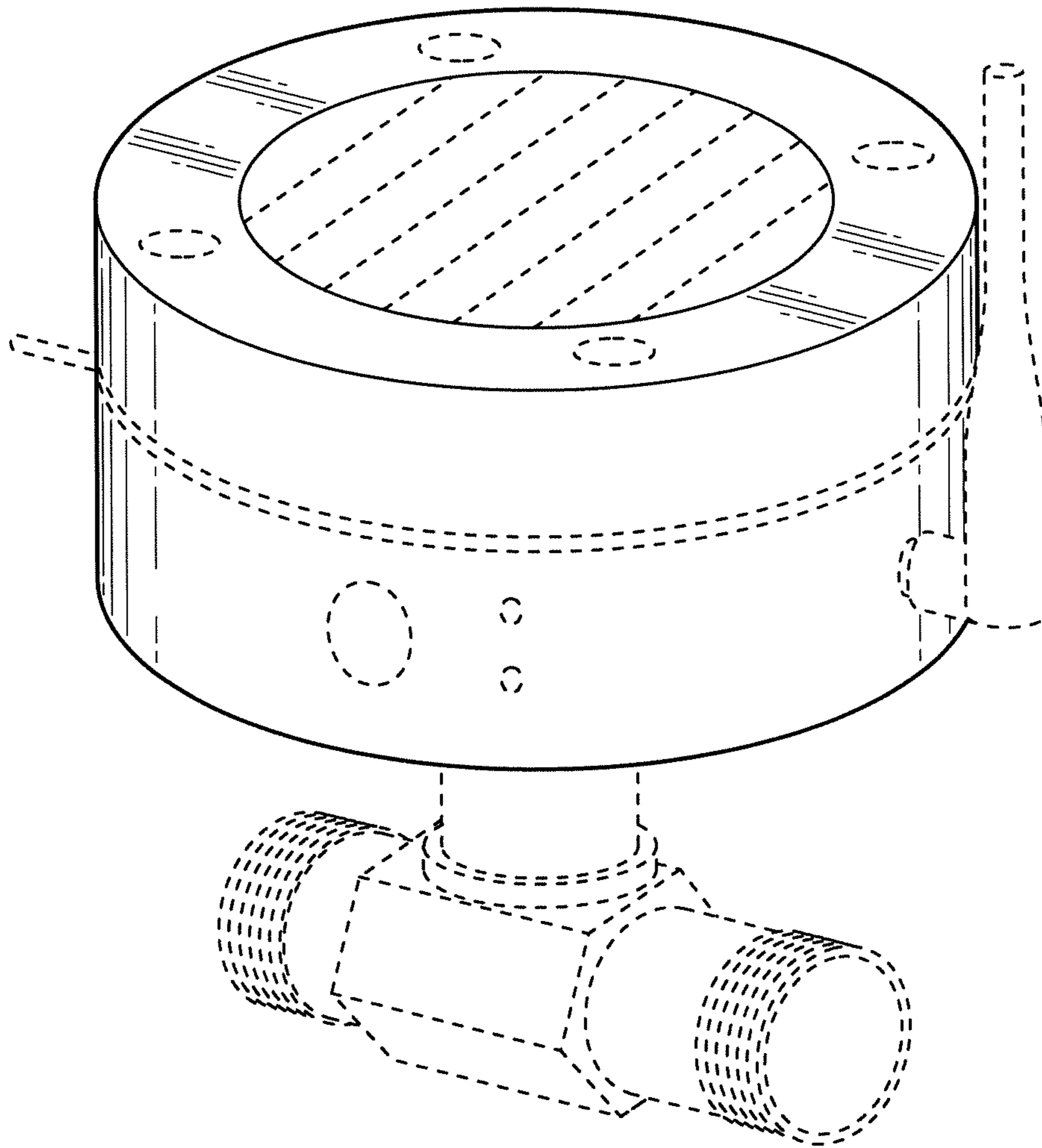


FIG. 8

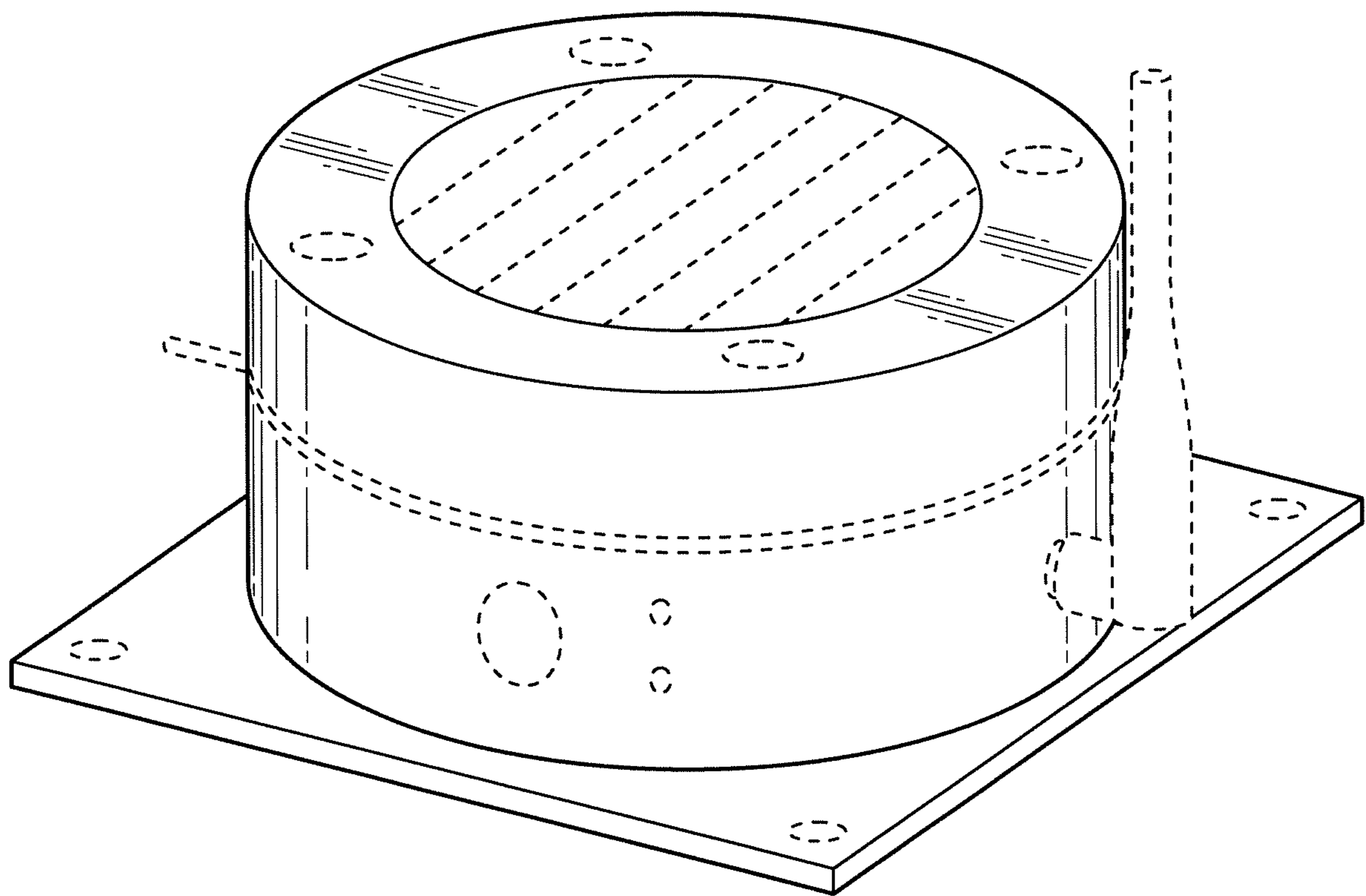


FIG. 9