



US00D871941S

(12) **United States Design Patent**
Davis et al.

(10) **Patent No.:** **US D871,941 S**
(45) **Date of Patent:** **** Jan. 7, 2020**

(54) **STRUCTURAL MONITORING DEVICE**

(71) Applicant: **SENSR Monitoring Technologies LLC**, Georgetown, TX (US)

(72) Inventors: **Leslie Davis**, Georgetown, TX (US);
Adam Niewoehner, Elkader, IA (US);
Walter F. Bleser, II, Denver, CO (US);
Suman F. Minnaganti, Austin, TX (US)

(73) Assignee: **SENSR Monitoring Technologies LLC**, Georgetown, TX (US)

(**) Term: **15 Years**

(21) Appl. No.: **29/663,316**

(22) Filed: **Sep. 13, 2018**

(51) **LOC (12) Cl.** **10-04**

(52) **U.S. Cl.**
USPC **D10/65; D10/70**

(58) **Field of Classification Search**

USPC D10/65, 70
CPC G01M 5/0008; G01M 5/0066; G01M 5/0033; G01P 15/0891; G01C 9/18; G01C 2009/182; G01C 2009/185; G01C 2009/187; G01C 9/20; G01C 9/22; G01C 9/24; G01C 9/26; G01C 9/28; G01C 9/30; G01C 9/32; G01C 9/34; G01C 9/36; E02F 3/845; E02F 3/847; E02F 3/842; E02F 3/844; E02F 9/2045; F02F 9/2029; G05D 1/0228; G05D 2201/0201; G01F 23/02; G01N 1/10

See application file for complete search history.

(56) **References Cited**

U.S. PATENT DOCUMENTS

D538,688 S * 3/2007 Snider D10/69
9,846,033 B2 * 12/2017 Palatshe G01C 15/004

* cited by examiner

Primary Examiner — Antoine Duval Davis

(74) *Attorney, Agent, or Firm* — Parsons Behle & Latimer

(57) **CLAIM**

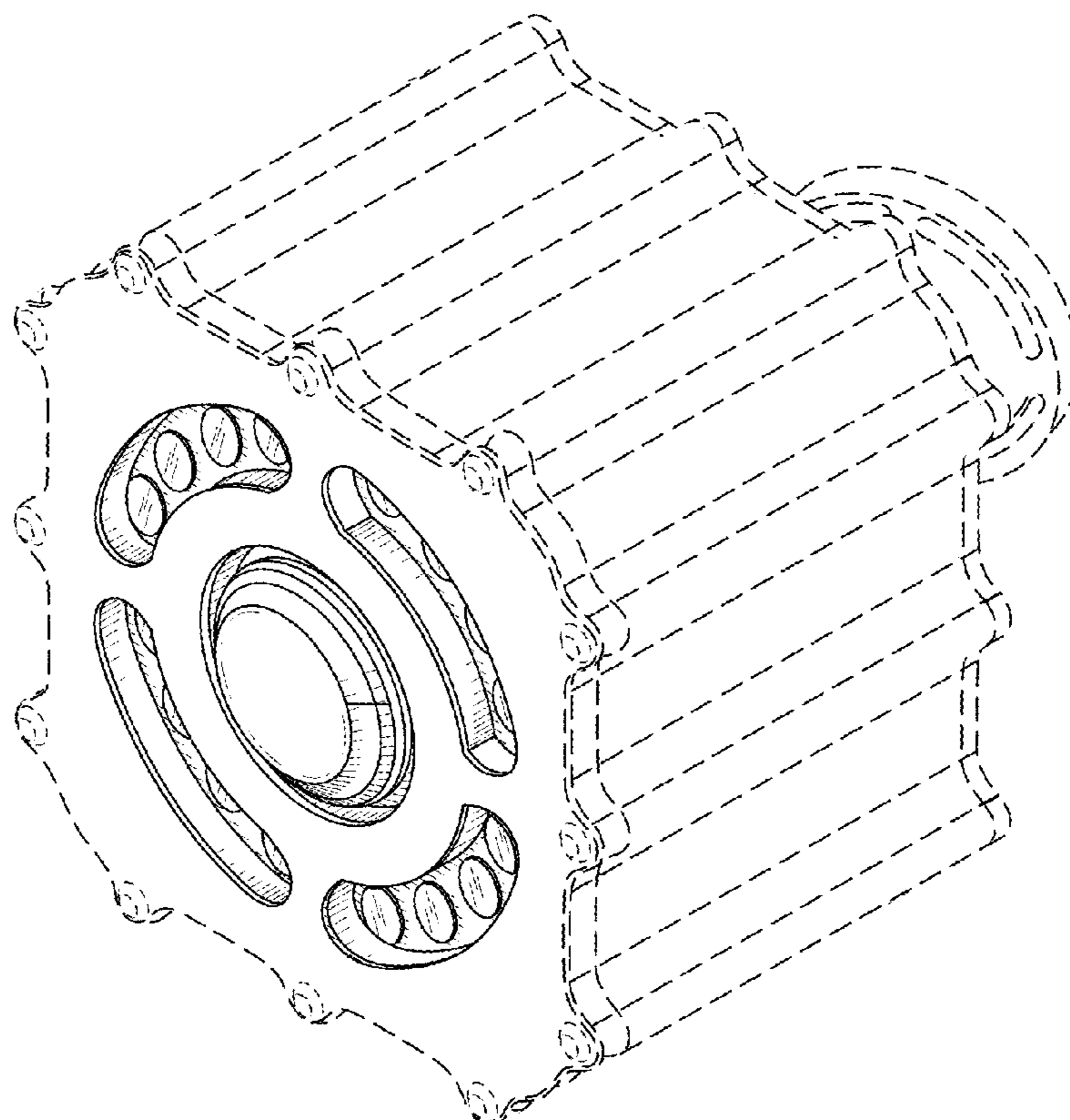
The ornamental design for a structural monitoring device, as shown and described.

DESCRIPTION

FIG. 1 is a perspective view of a structural monitoring device embodying the new design;
FIG. 2 is a front elevational view thereof;
FIG. 3 is a rear elevational view thereof;
FIG. 4 is a top plan view thereof;
FIG. 5 is a bottom plan view thereof;
FIG. 6 is a left side elevational view thereof; and,
FIG. 7 is a right side elevational view thereof.

The broken lines shown in the drawings are for the purpose of illustrating unclaimed portions of the structural monitoring device and form no part of the claimed design.

1 Claim, 4 Drawing Sheets



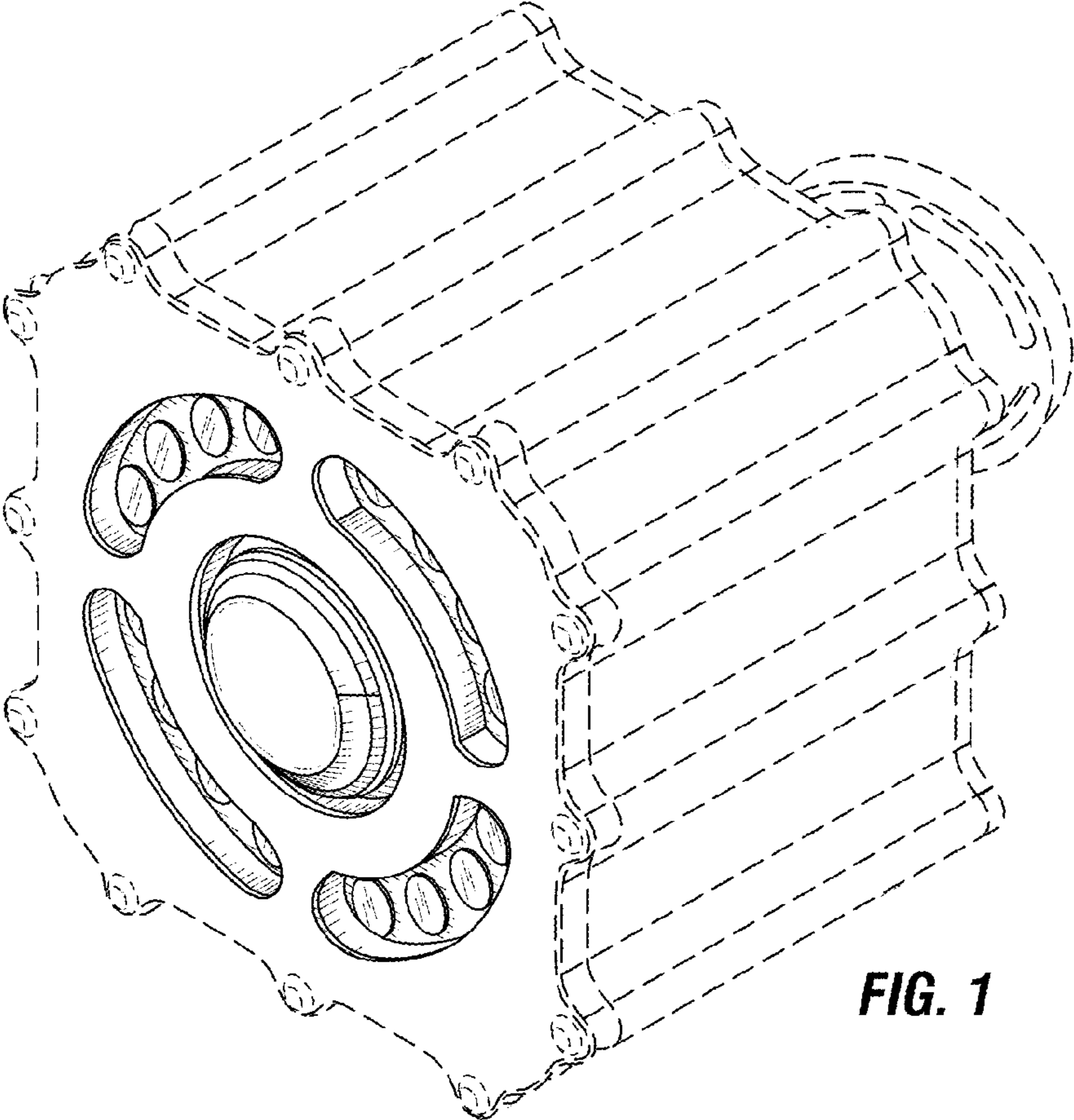
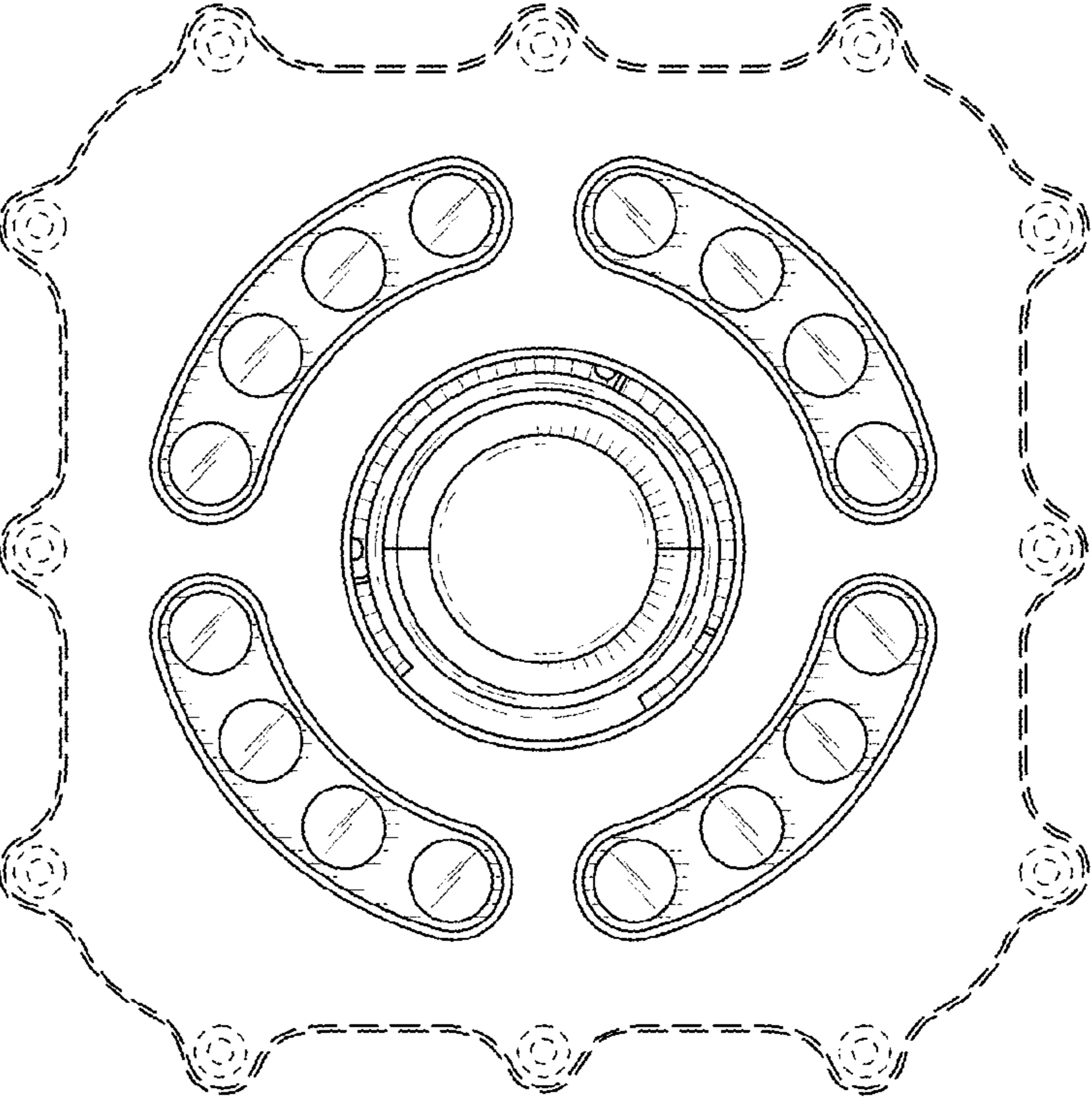


FIG. 1

FIG. 2



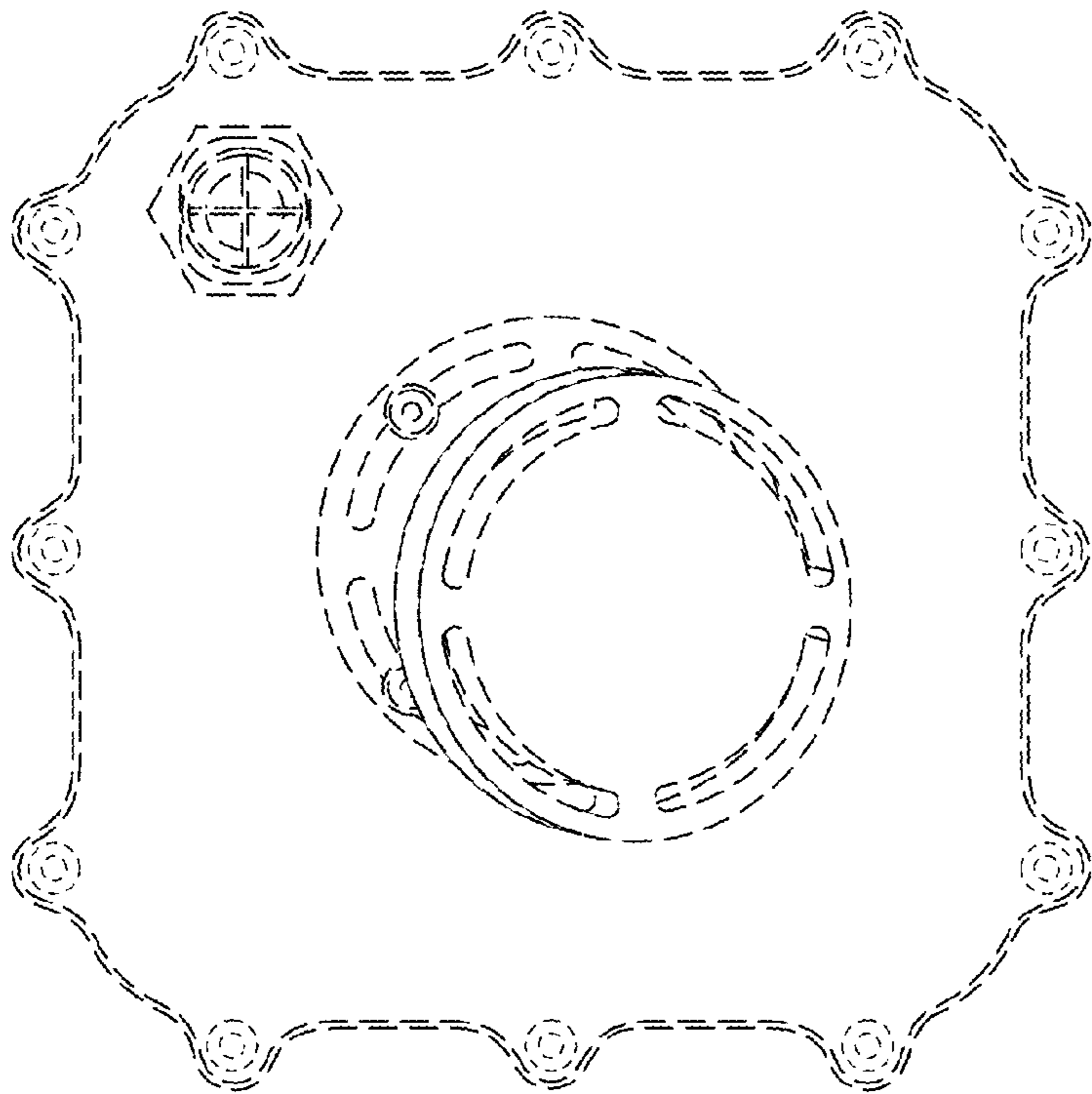


FIG. 3

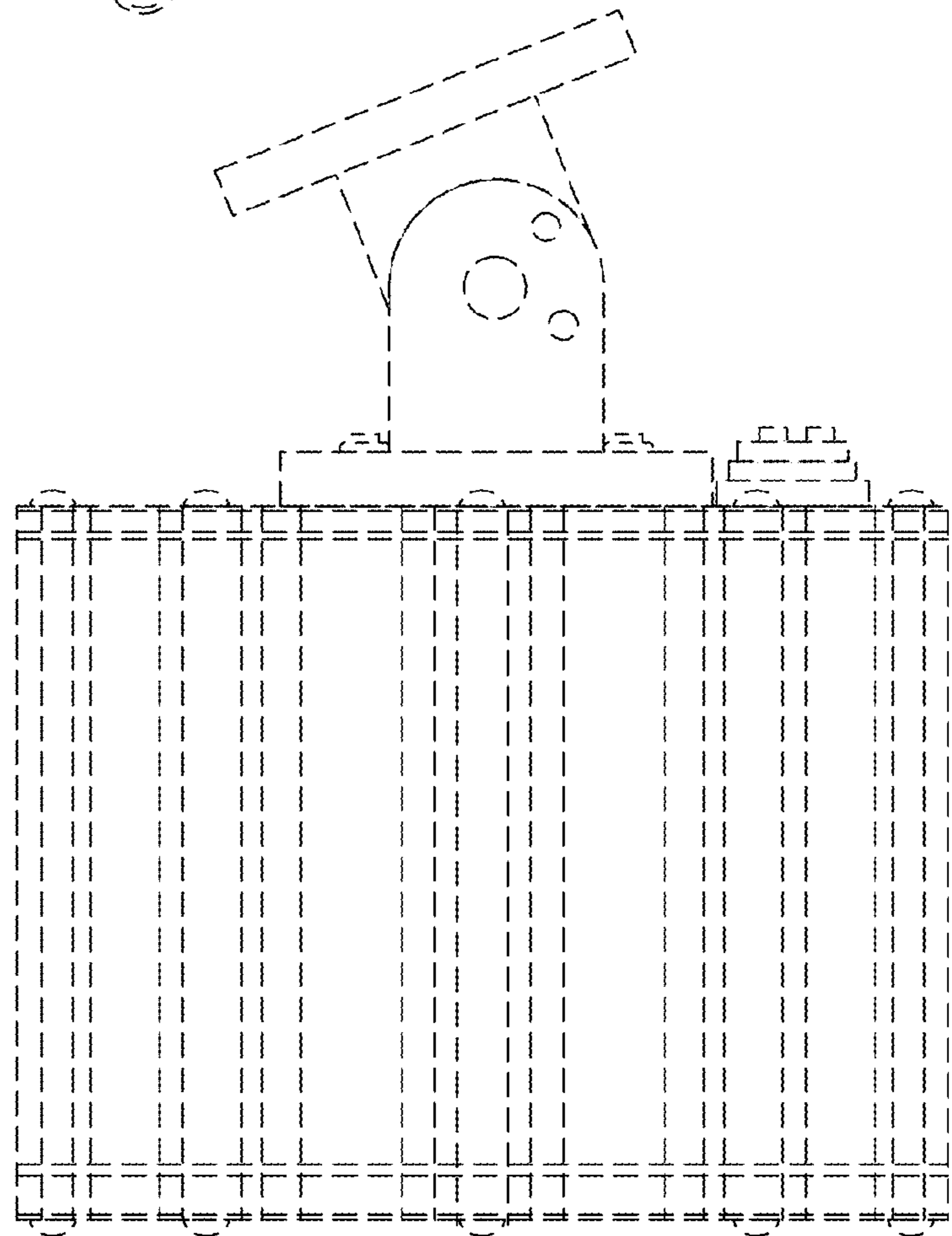


FIG. 4

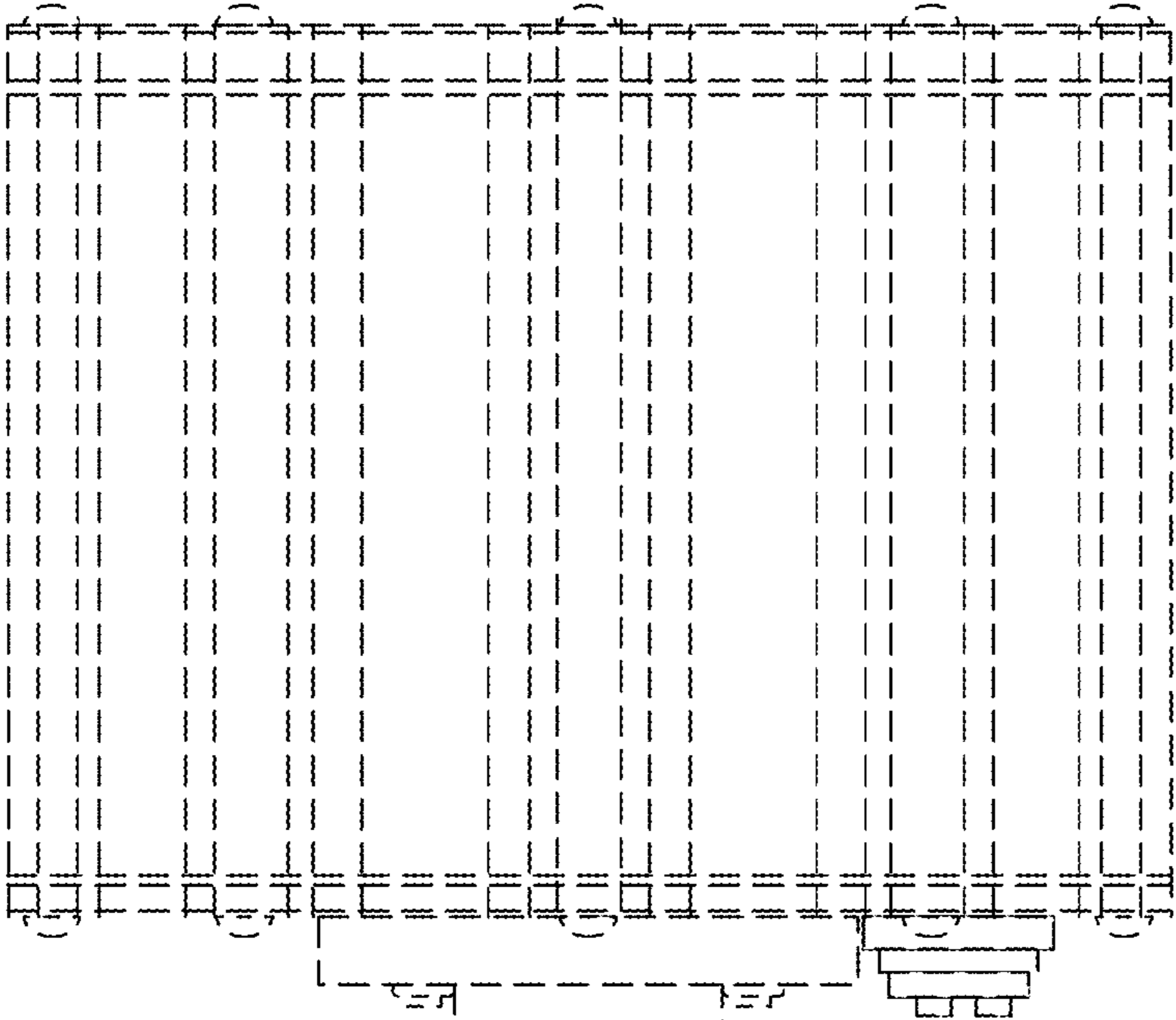


FIG. 5

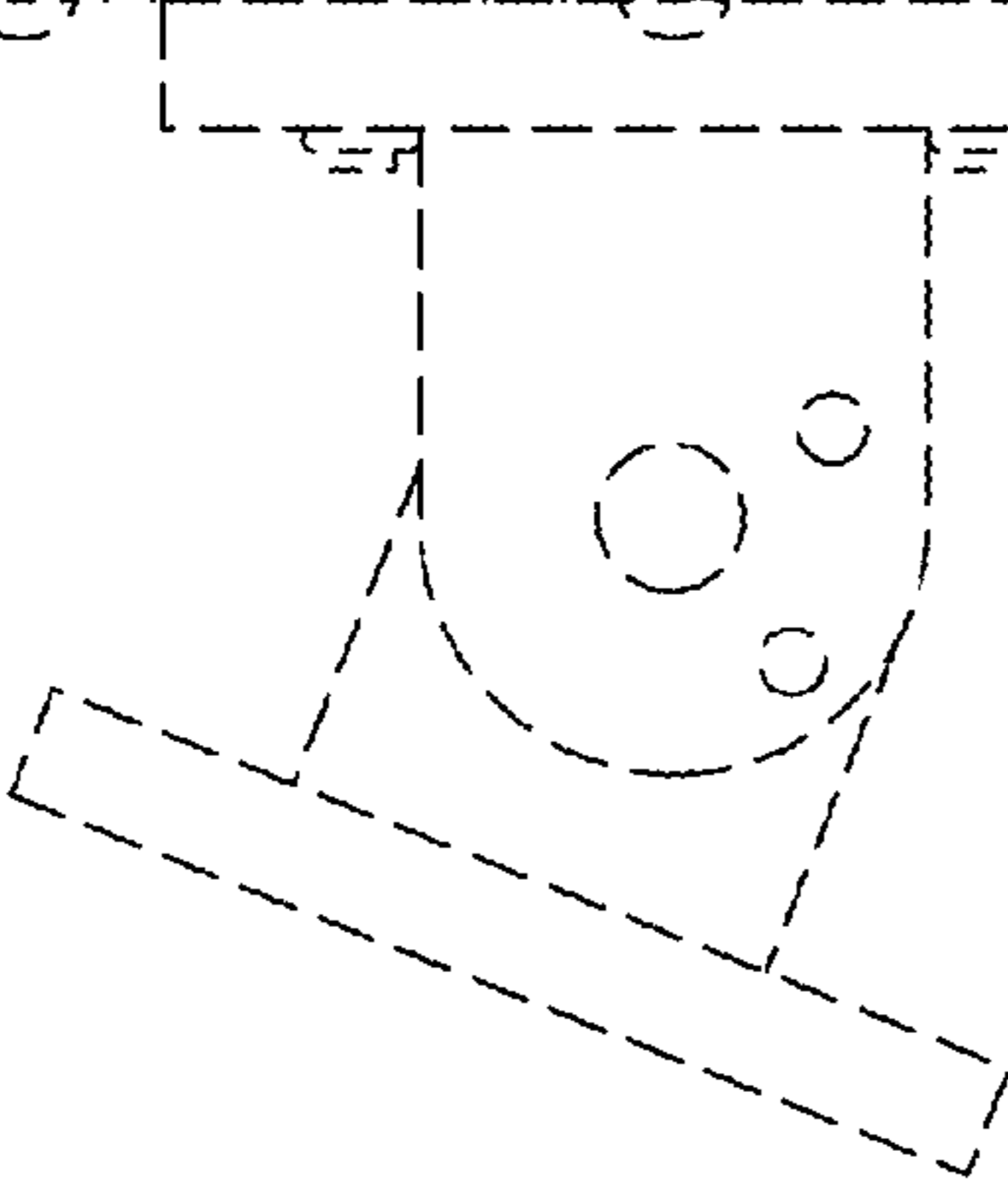
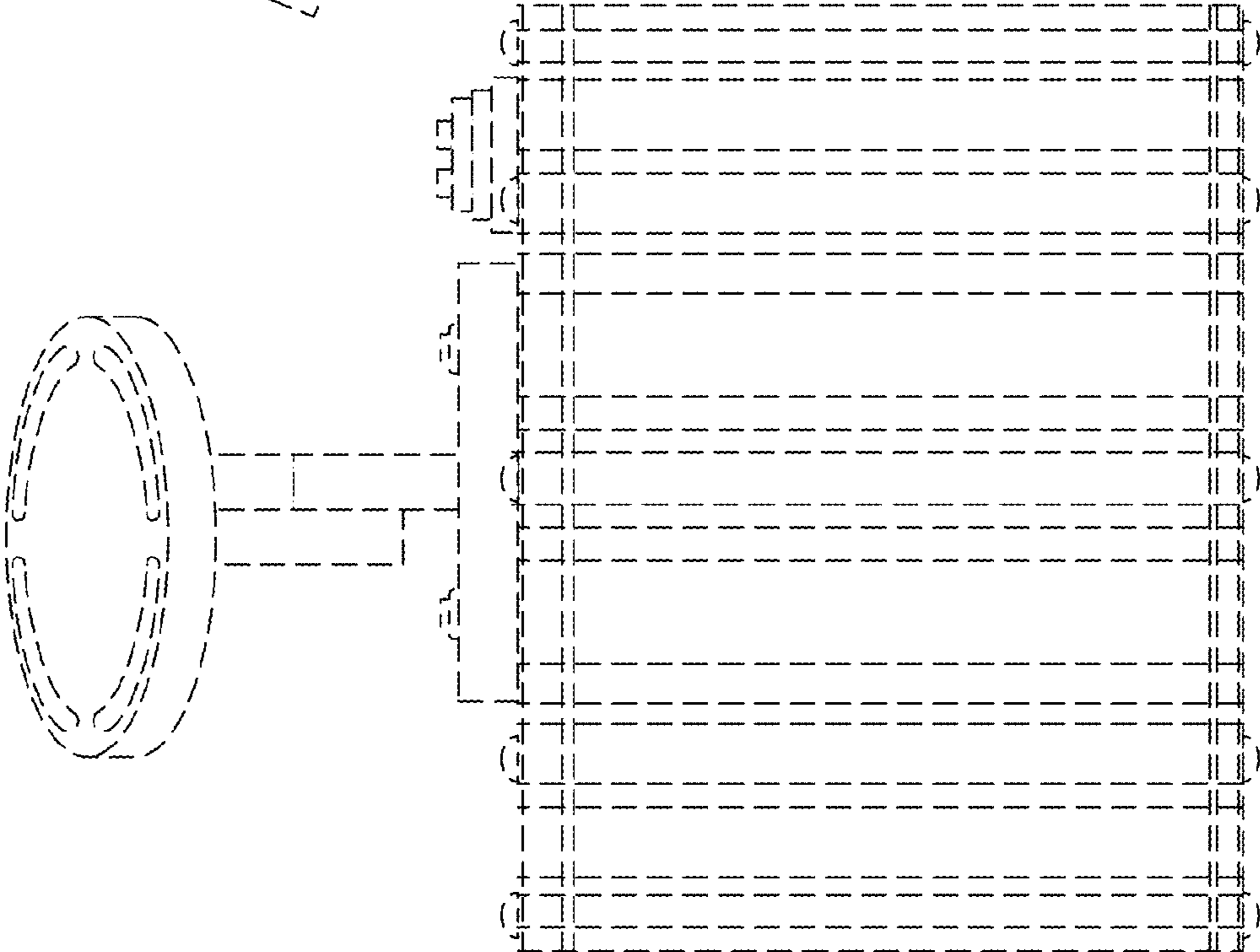


FIG. 6



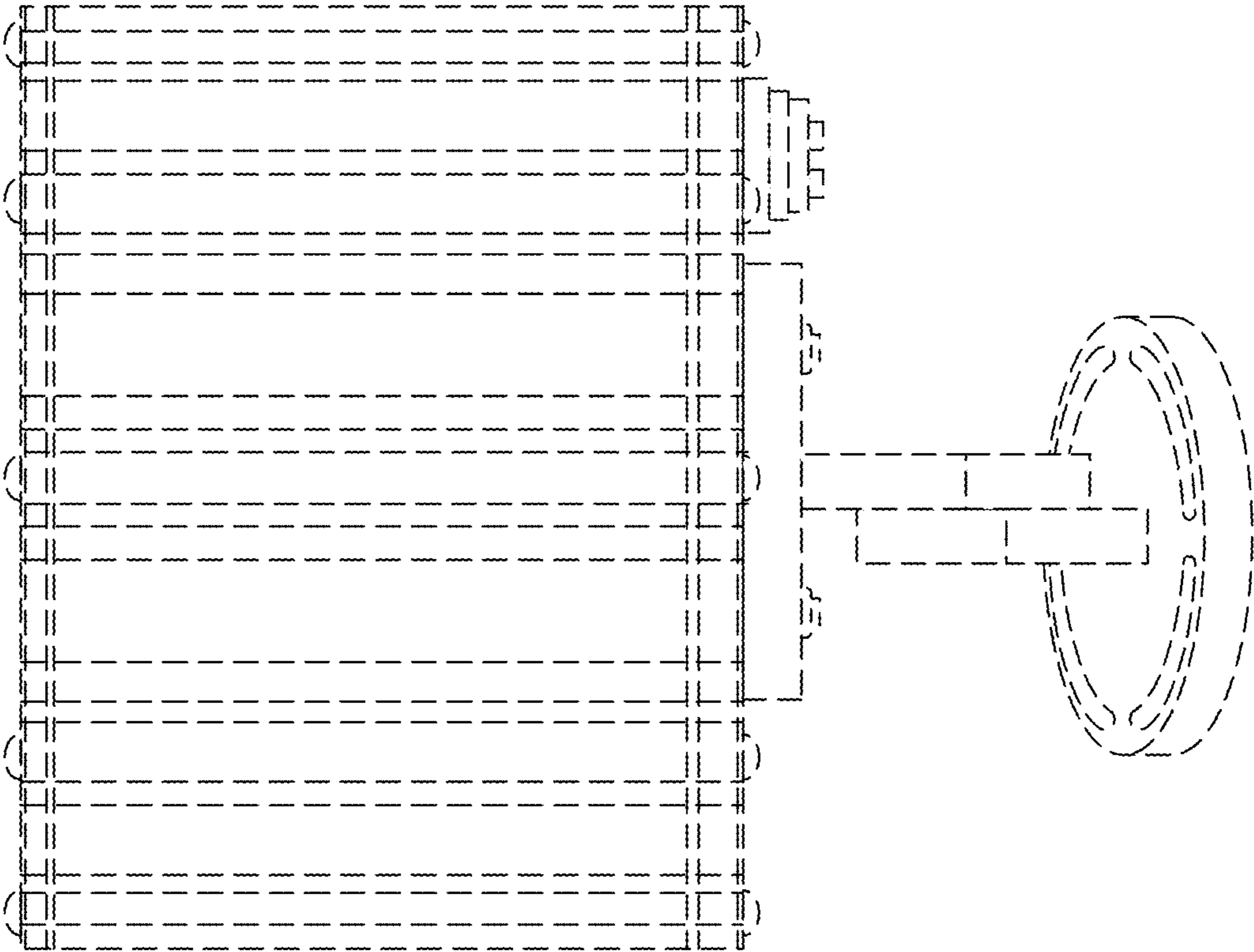


FIG. 7