



US00D871940S

(12) **United States Design Patent**
Davis et al.

(10) **Patent No.:** **US D871,940 S**
(45) **Date of Patent:** **** Jan. 7, 2020**

(54) **STRUCTURAL MONITORING DEVICE**

9/2029; G05D 1/0228; G05D 2201/0201;
G01F 23/02; G01N 1/10

(71) Applicant: **SENSR Monitoring Technologies LLC**, Georgetown, TX (US)

See application file for complete search history.

(72) Inventors: **Leslie Davis**, Georgetown, TX (US);
Adam Niewoehner, Elkader, IA (US);
Walter F. Bleser, II, Denver, CO (US);
Suman F. Minnaganti, Austin, TX (US)

(56) **References Cited**

U.S. PATENT DOCUMENTS

D538,688 S * 3/2007 Snider D10/69
9,846,033 B2 * 12/2017 Palatshe G01C 15/004

* cited by examiner

(73) Assignee: **SENSR Monitoring Technologies LLC**, Georgetown, TX (US)

Primary Examiner — Antoine Duval Davis

(74) *Attorney, Agent, or Firm* — Parsons Behle & Latimer

(**) Term: **15 Years**

(57) **CLAIM**

(21) Appl. No.: **29/663,313**

The ornamental design for a structural monitoring device, as shown and described.

(22) Filed: **Sep. 13, 2018**

DESCRIPTION

(51) **LOC (12) Cl.** **10-04**

(52) **U.S. Cl.**

USPC **D10/65; D10/70**

(58) **Field of Classification Search**

USPC **D10/65, 70**

CPC **G01M 5/0008; G01M 5/0066; G01M**

5/0033; G01P 15/0891; G01C 9/18;

G01C 2009/182; G01C 2009/185; G01C

2009/187; G01C 9/20; G01C 9/22; G01C

9/24; G01C 9/26; G01C 9/28; G01C

9/30; G01C 9/32; G01C 9/34; G01C

9/36; E02F 3/845; E02F 3/847; E02F

3/842; E02F 3/844; E02F 9/2045; F02F

FIG. 1 is a perspective view of a structural monitoring device embodying the new design;

FIG. 2 is a front elevational view thereof;

FIG. 3 is a rear elevational view thereof;

FIG. 4 is a top plan view thereof;

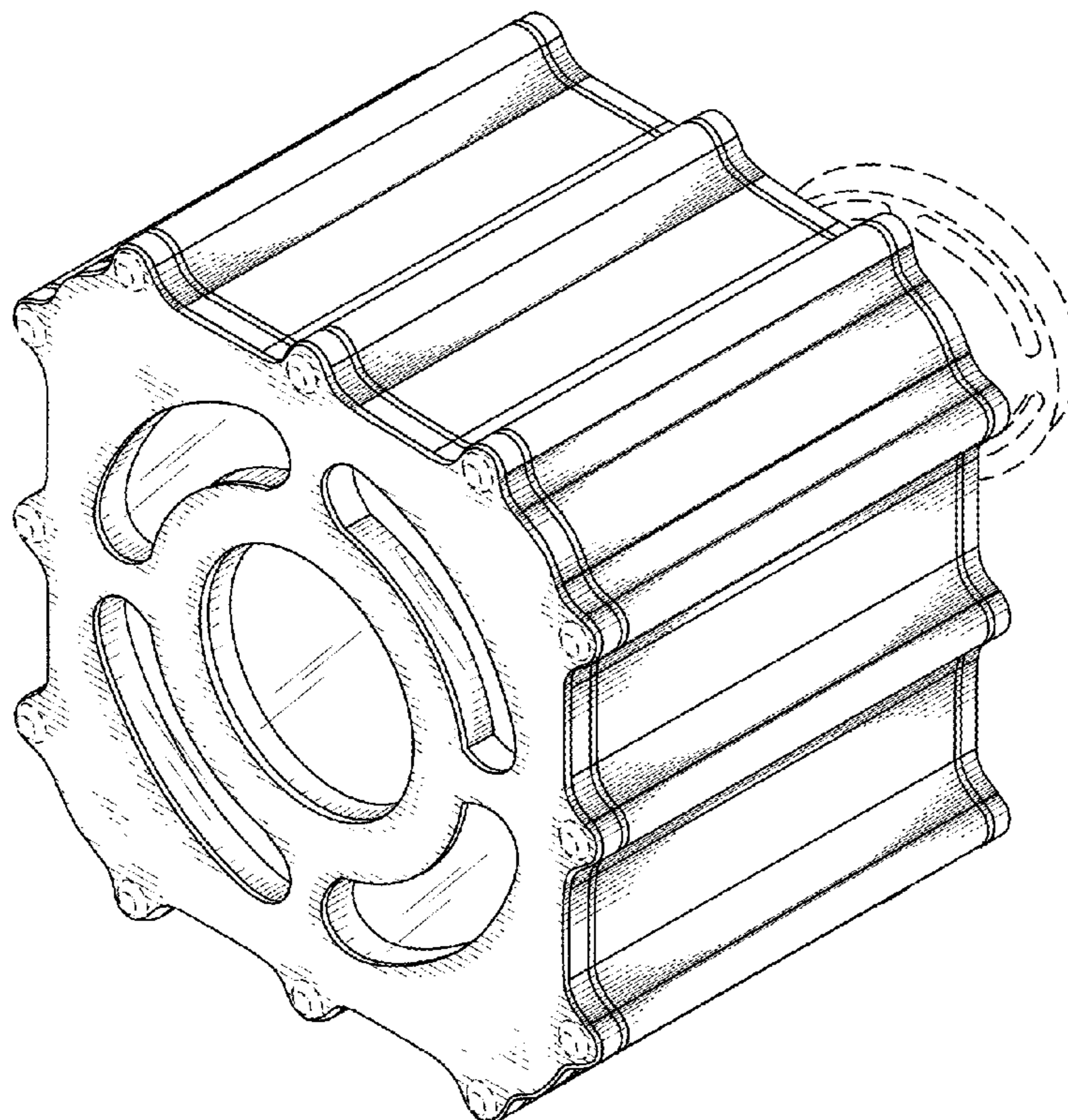
FIG. 5 is a bottom plan view thereof;

FIG. 6 is a left side elevational view thereof; and,

FIG. 7 is a right side elevational view thereof.

The broken lines shown in the drawings are for the purpose of illustrating unclaimed portions of the structural monitoring device and form no part of the claimed design.

1 Claim, 4 Drawing Sheets



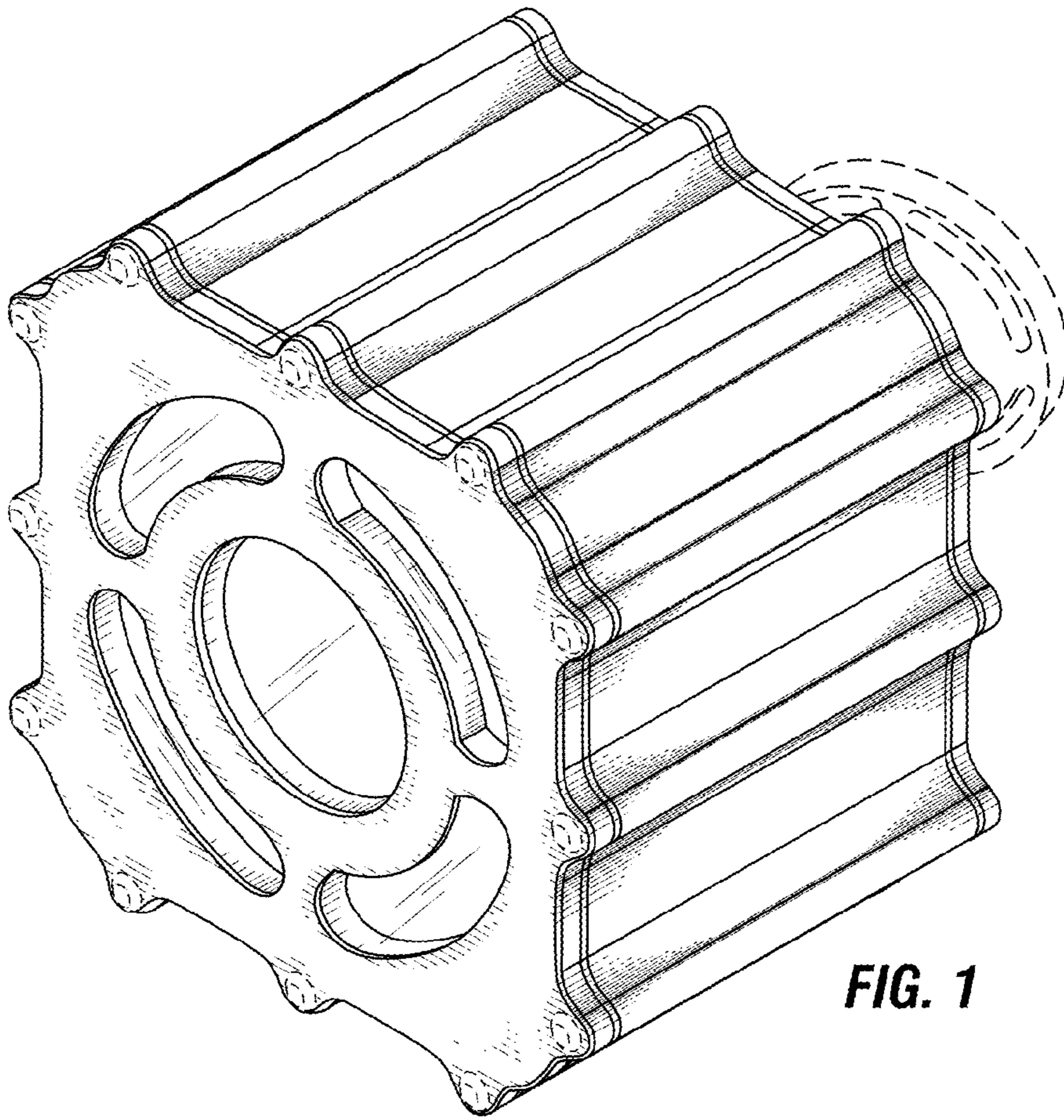


FIG. 1

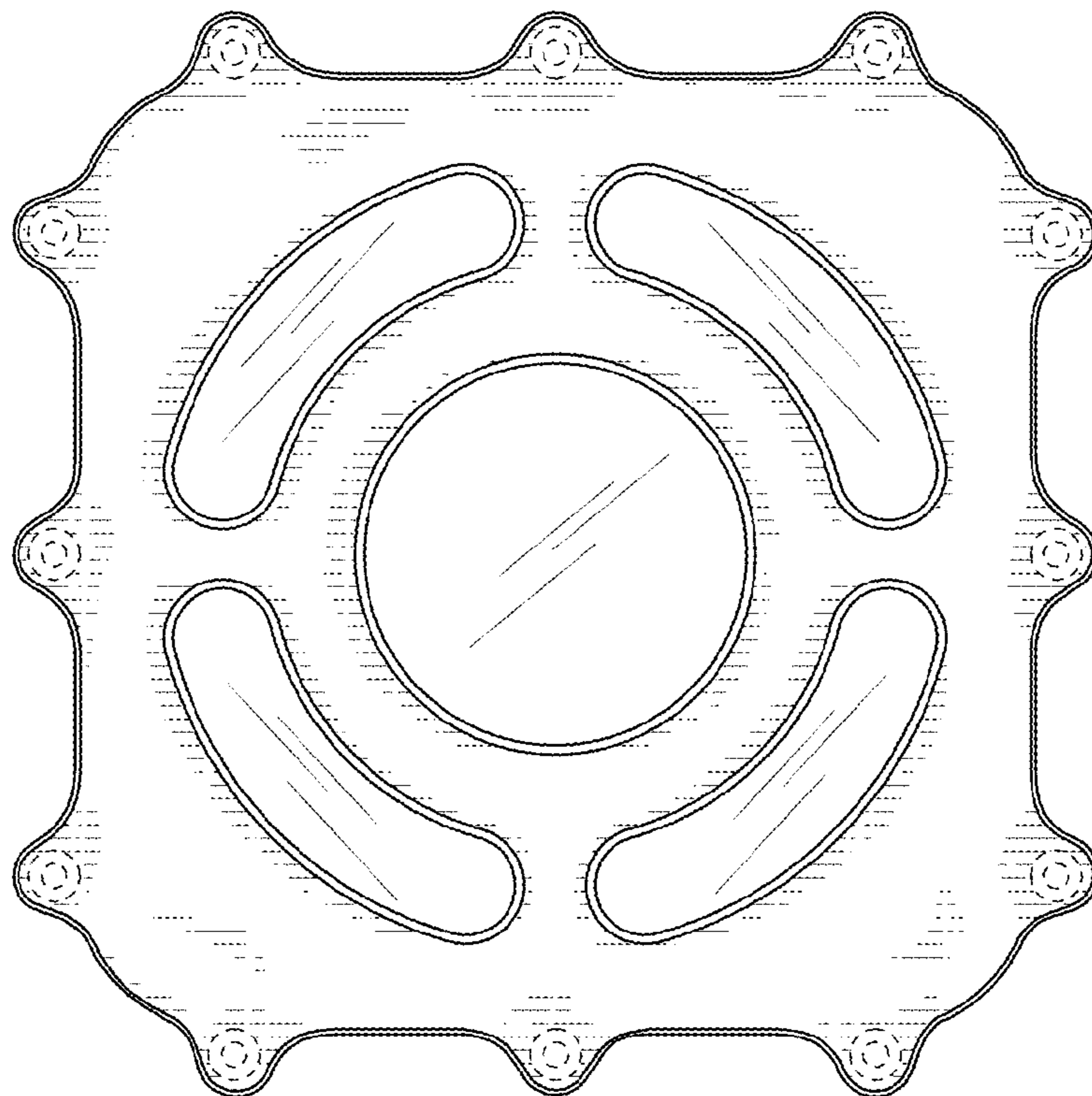


FIG. 2

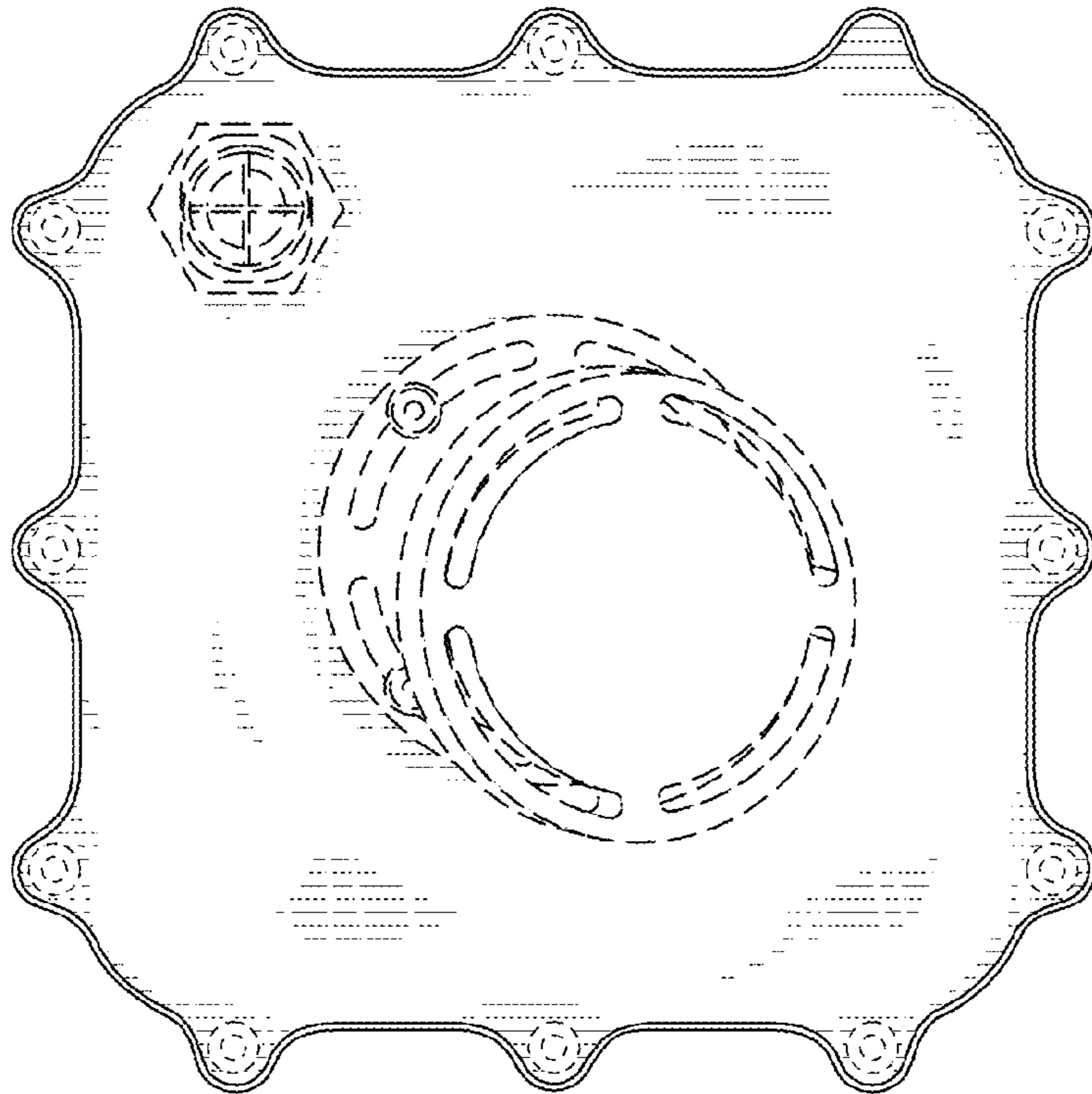


FIG. 3

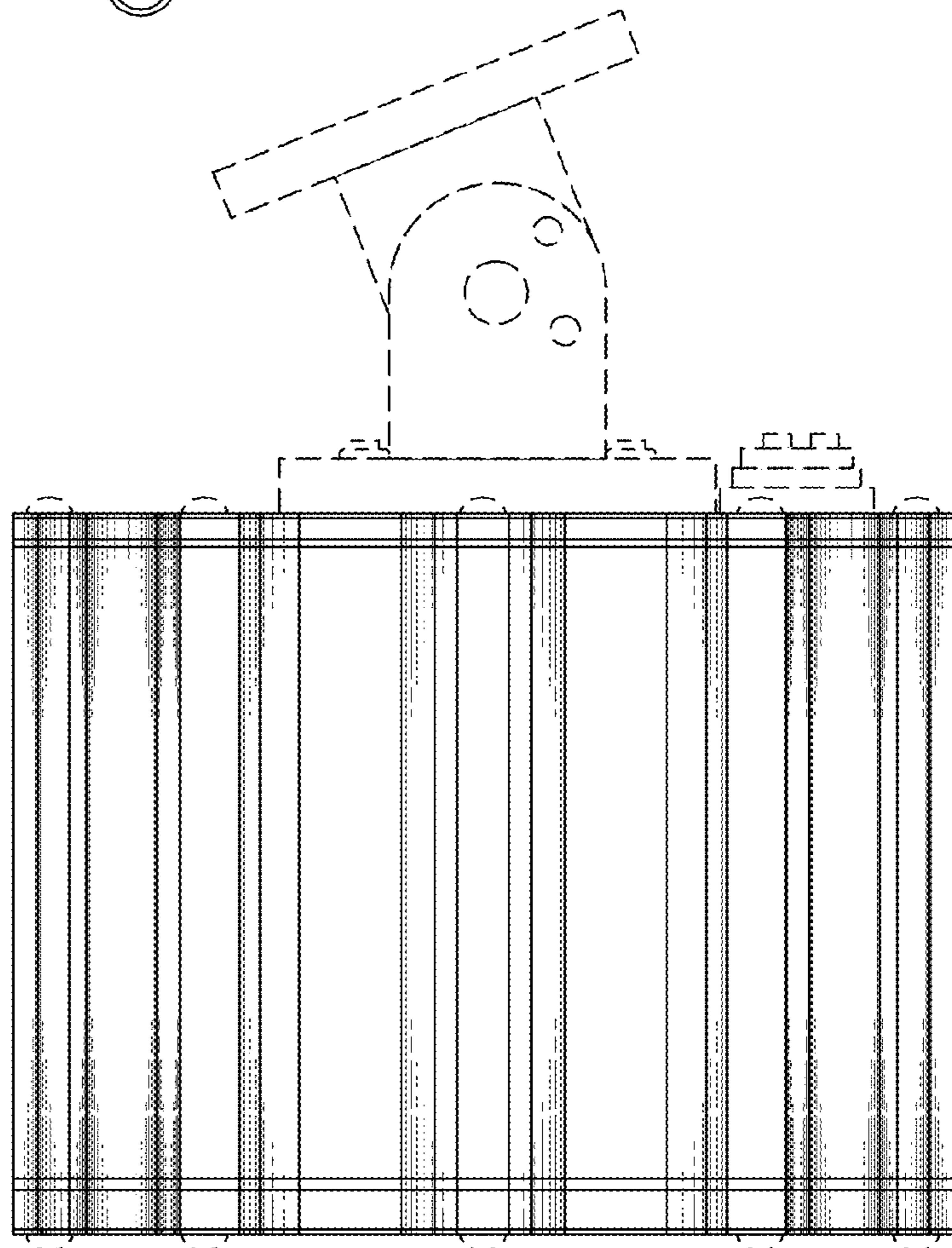


FIG. 4

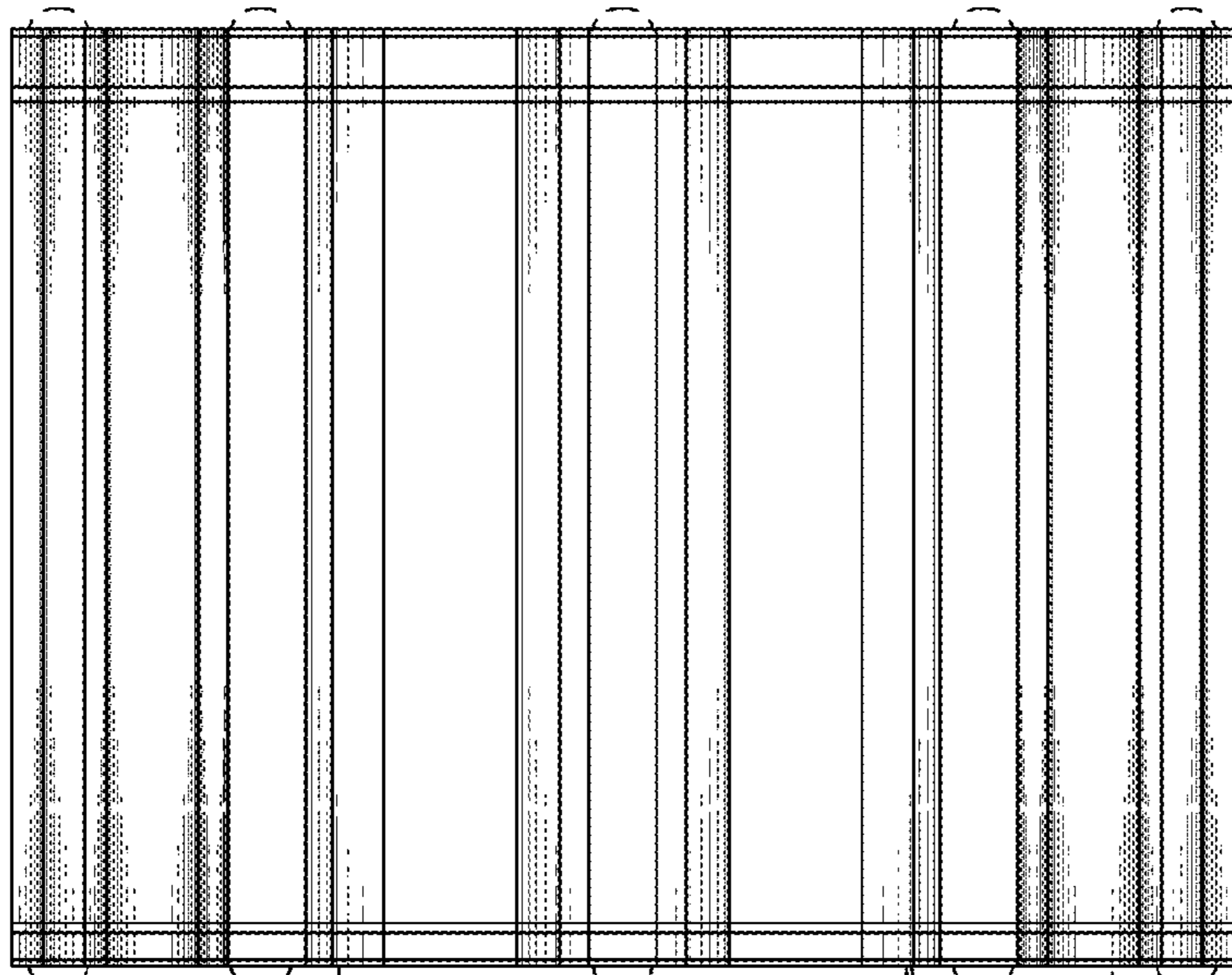


FIG. 5

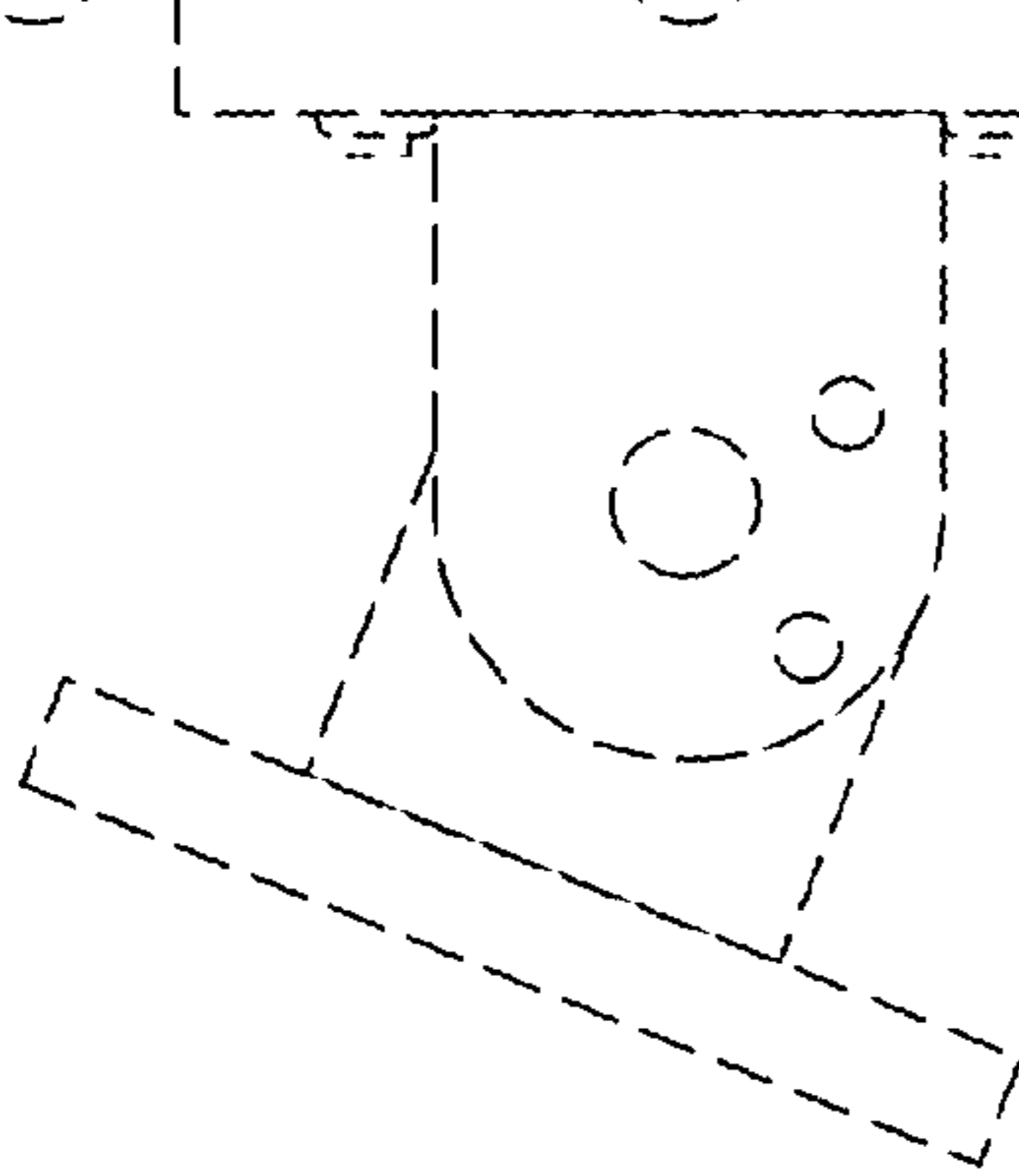
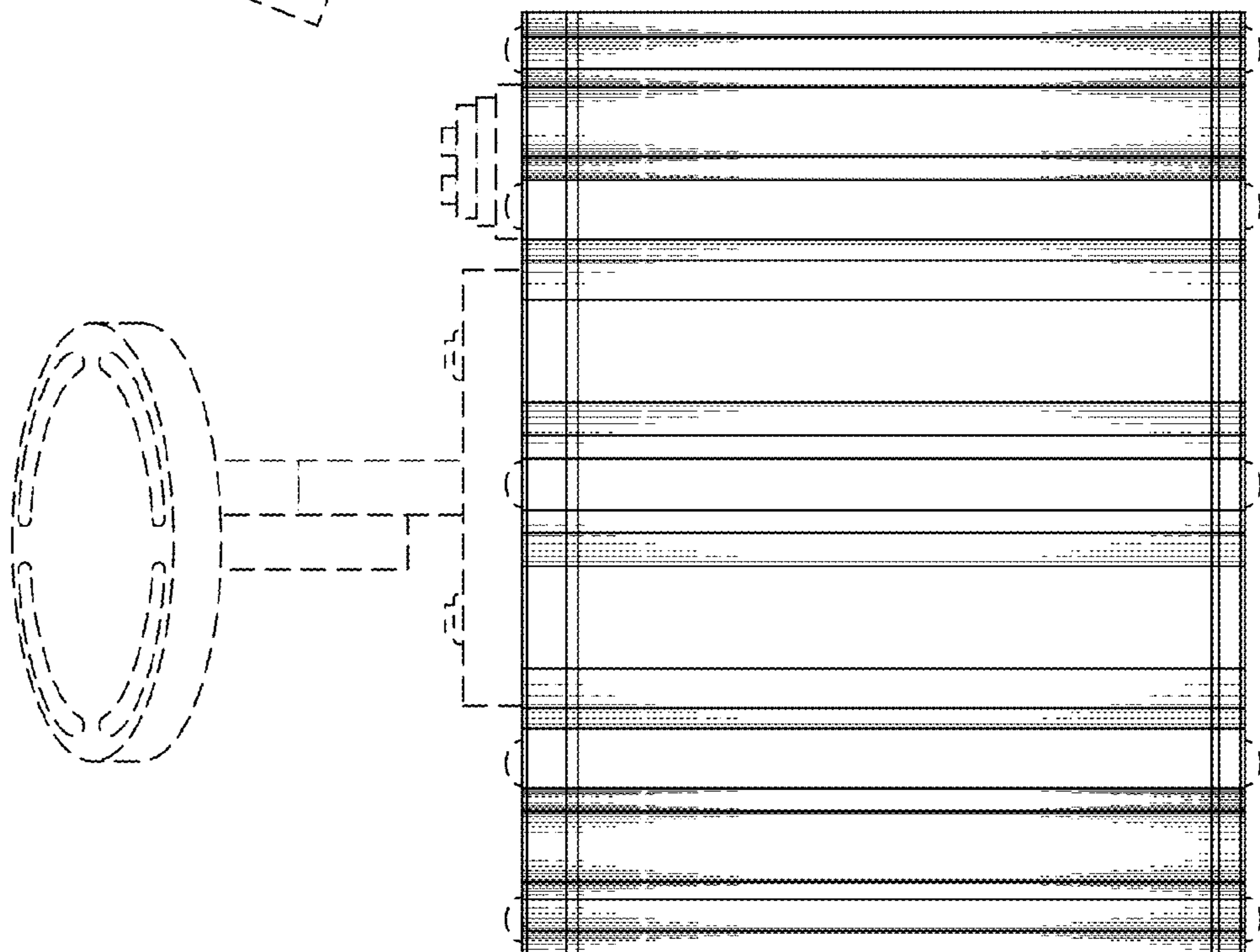


FIG. 6



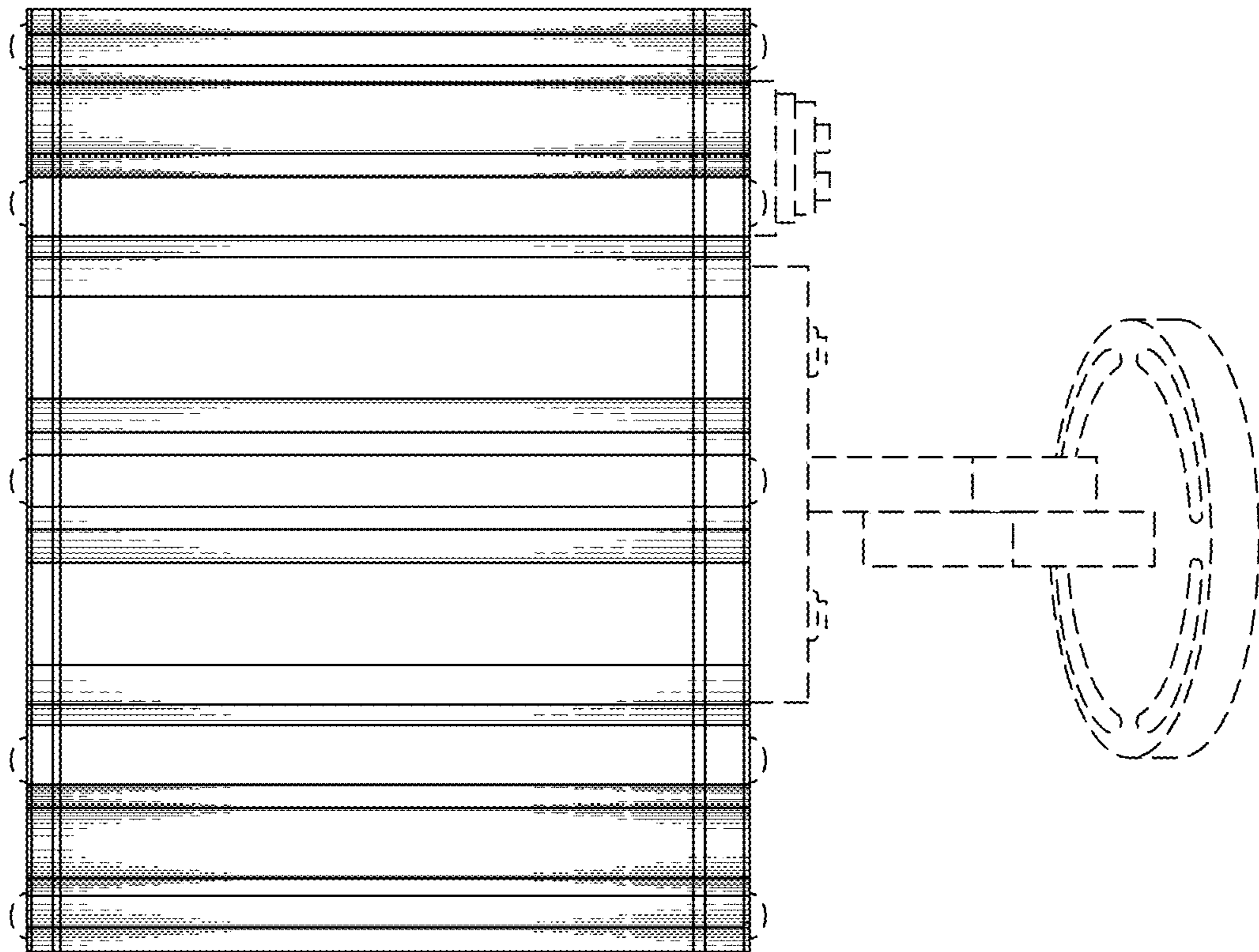


FIG. 7