



US00D871933S

(12) **United States Design Patent**
Zhang

(10) **Patent No.:** **US D871,933 S**
(45) **Date of Patent:** **** Jan. 7, 2020**

(54) **HVAC CONTROLLER**

(71) Applicant: **Ademco Inc.**, Golden Valley, MN (US)

(72) Inventor: **Arthur Zhang**, Beijing (CN)

(73) Assignee: **Ademco Inc.**, Golden Valley, MN (US)

(**) Term: **15 Years**

(21) Appl. No.: **29/658,438**

(22) Filed: **Jul. 31, 2018**

(30) **Foreign Application Priority Data**

Feb. 1, 2018 (CN) 2018 3 0048723

(51) **LOC (12) Cl.** **10-04**

(52) **U.S. Cl.**
USPC **D10/50**

(58) **Field of Classification Search**

USPC D10/49, 50; D13/162, 162.1, 177
CPC . F23N 5/20; F23N 5/203; F23N 5/206; F23N
5/18; F23N 5/184; F23N 5/187; F23N
5/22; F23N 2025/12; F23N 2041/02;
F24F 11/00; F24F 11/0012; F24F
11/0009; F24F 11/001; F24F 2011/0057;
F24F 2011/0073; F24F 2011/0091; F24F
2011/0094; F24F 2011/0068; F24F
2011/0012; F24F

(Continued)

(56) **References Cited**

U.S. PATENT DOCUMENTS

D506,150 S 6/2005 Backlund et al.
D506,687 S 6/2005 Takach et al.

(Continued)

OTHER PUBLICATIONS

Notice to Grant dated Oct. 26, 2018, and English translation thereof,
from counterpart Chinese Application No. 201830048723.8, 6 pp.

(Continued)

Primary Examiner — Antoine Duval Davis

(74) *Attorney, Agent, or Firm* — Shumaker & Sieffert,
P.A.

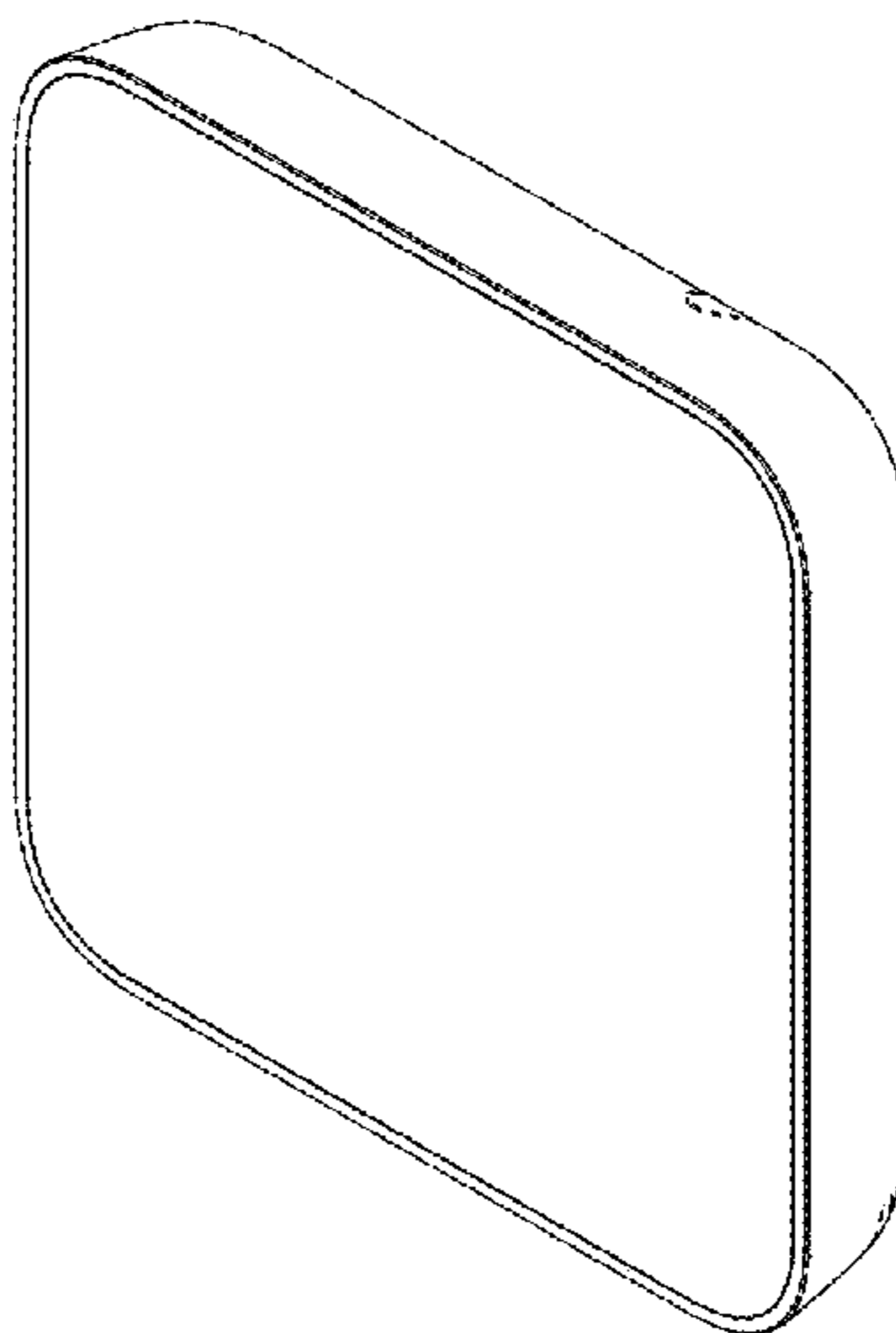
(57) **CLAIM**

The ornamental design for an HVAC controller, as shown
and described.

DESCRIPTION

FIG. 1 is a perspective view of an HVAC controller;
FIG. 2 is a front side view of the HVAC controller of FIG.
1;
FIG. 3 is a left side view of the HVAC controller of FIG. 1;
FIG. 4 is a right side view of the HVAC controller of FIG.
1;
FIG. 5 is a top side view of the HVAC controller of FIG. 1;
FIG. 6 is a bottom side view of the HVAC controller of FIG.
1;
FIG. 7 is a back side view of the HVAC controller of FIG.
1;
FIG. 8 is a perspective view of the HVAC controller of FIG.
1 with a stand;
FIG. 9 is a front side view of the HVAC controller with stand
of FIG. 8;
FIG. 10 is a left side view of the HVAC controller with stand
of FIG. 8;
FIG. 11 is a right side view of the HVAC controller with
stand of FIG. 8;
FIG. 12 is a top side view of the HVAC controller with stand
of FIG. 8;
FIG. 13 is a bottom side view of the HVAC controller with
stand of FIG. 8; and,
FIG. 14 is a back side view of the HVAC controller with
stand of FIG. 8.
The portions illustrated in broken lines on the figures are for
illustrative purposes only and form no part of the claimed
design.

1 Claim, 14 Drawing Sheets



(58) **Field of Classification Search**

CPC 2011/0015; F24F 2011/0017; F21V 11/16;
 F21V 33/10; G05B 19/042; G05D 23/01;
 G05D 23/12; G05D 23/275; G05D
 23/1902; G05D 23/1904; G05D
 23/27502; G05D 23/27503; G05D
 23/1919; G05D 23/19; G05D 23/2723;
 G05D 23/00; G09F 13/22; G09F 9/53;
 G06F 1/1684; G06F 1/30; G06F 3/0362;
 G06F 3/038; H05B 33/0854; H05B
 37/0218; H05K 5/0017; H05K 5/0243;
 H05K 5/00; H05K 5/03; H04M 2250/12;
 H04M 2250/22

See application file for complete search history.

(56) **References Cited**

U.S. PATENT DOCUMENTS

D509,151 S	9/2005	Takach et al.	
D520,386 S	5/2006	Takach et al.	
D535,572 S	1/2007	Takach et al.	
D535,573 S	1/2007	Barton et al.	
D541,184 S	4/2007	Barton et al.	
D542,677 S	5/2007	Barton et al.	
D556,060 S	11/2007	McGuire et al.	
D580,282 S	11/2008	Bray et al.	
D580,801 S	11/2008	Takach et al.	
D590,730 S	4/2009	Simard et al.	
D595,160 S	6/2009	Fisher et al.	
D595,161 S	6/2009	Fisher et al.	
D596,964 S	7/2009	Wang et al.	
D622,621 S *	8/2010	Choi	D10/50
D666,509 S	9/2012	Beland et al.	
D678,084 S	3/2013	Beland et al.	

D712,756 S	9/2014	Rump et al.	
D717,681 S	11/2014	Shail et al.	
D720,633 S	1/2015	Novotny et al.	
8,950,687 B2	2/2015	Bergman et al.	
D725,524 S	3/2015	Takach et al.	
D738,755 S *	9/2015	Druce	D10/50
D738,756 S *	9/2015	Jiang	D10/50
D743,349 S	11/2015	Leeland et al.	
D744,433 S	12/2015	Baumgartner et al.	
D750,980 S	3/2016	Takach et al.	
D751,426 S *	3/2016	Edgar	D10/50
D755,132 S	5/2016	Kashimoto	
D778,244 S *	2/2017	Feldstein	D13/162
D778,245 S *	2/2017	Feldstein	D13/162
D792,789 S	7/2017	Read et al.	
D797,580 S	9/2017	Read et al.	
D801,345 S	10/2017	Kujawski et al.	
D803,705 S	11/2017	Read et al.	
D808,828 S *	1/2018	Behar	D10/50
D809,942 S *	2/2018	Cool	D10/50
D811,245 S *	2/2018	Combe	D10/50
9,955,244 B2 *	4/2018	Rothkopf	H04R 1/028
D820,121 S *	6/2018	Combe	D10/50
D824,786 S *	8/2018	Combe	D10/50
D830,861 S	10/2018	McNealy et al.	
D832,722 S *	11/2018	Farenski	D10/50
D837,666 S *	1/2019	Butler	D10/49
D843,240 S *	3/2019	Combe	D10/50
2012/0067560 A1	3/2012	Bergman et al.	
2015/0127176 A1	5/2015	Bergman et al.	

OTHER PUBLICATIONS

U.S. Appl. No. 29/664,633, filed Sep. 26, 2018, naming inventors Zhang et al.

* cited by examiner

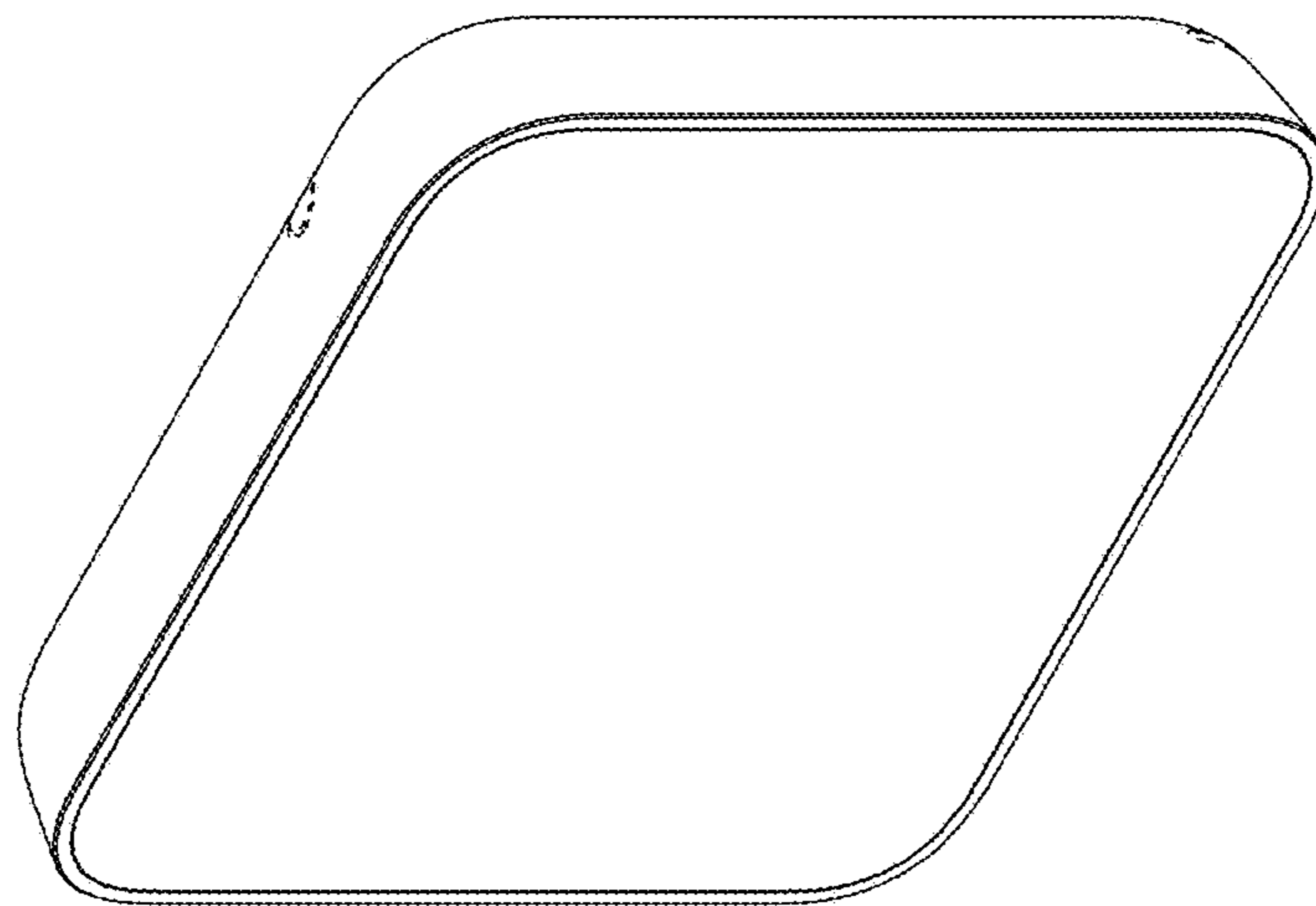


FIG. 1

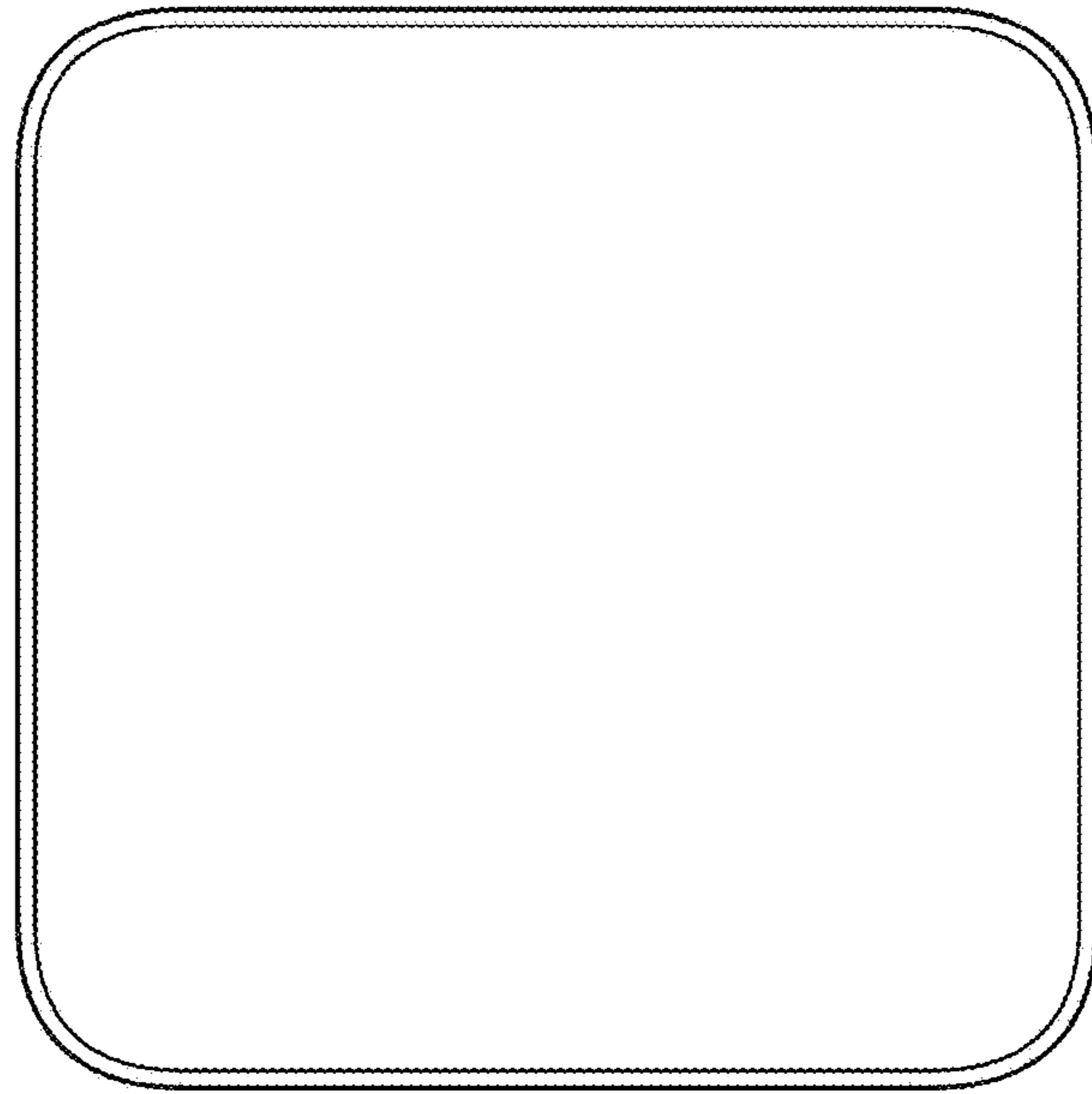


FIG. 2



FIG. 3

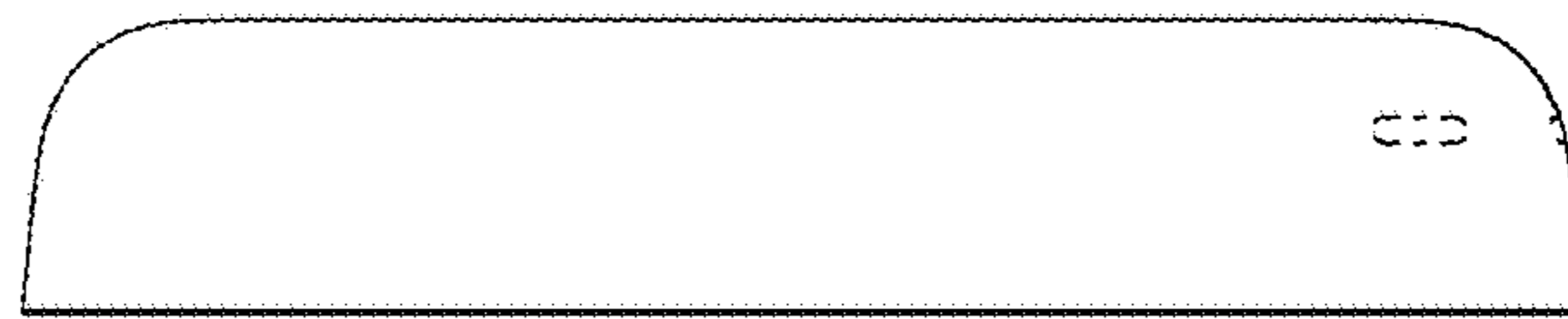


FIG. 4

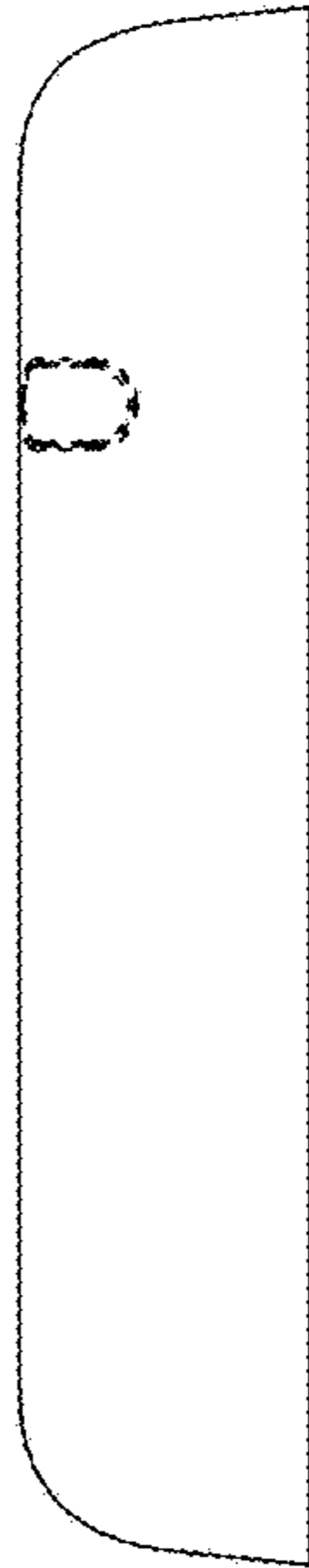


FIG. 5

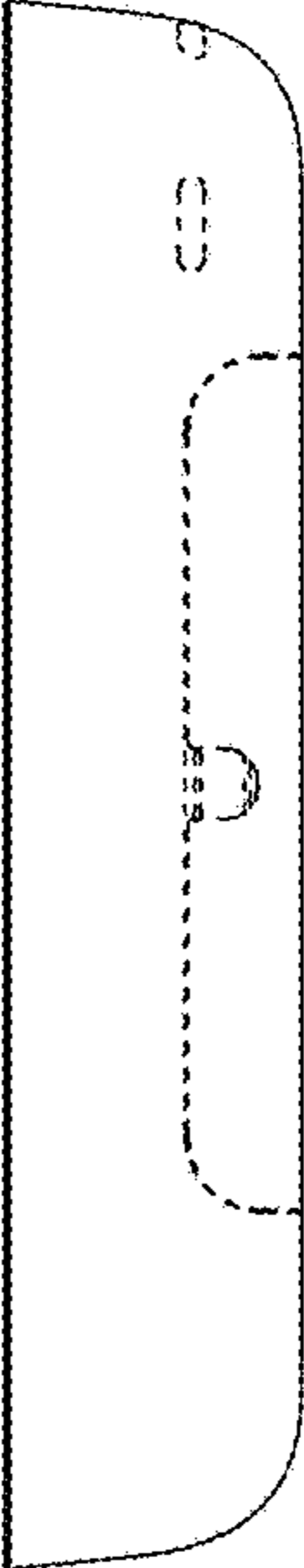


FIG. 6

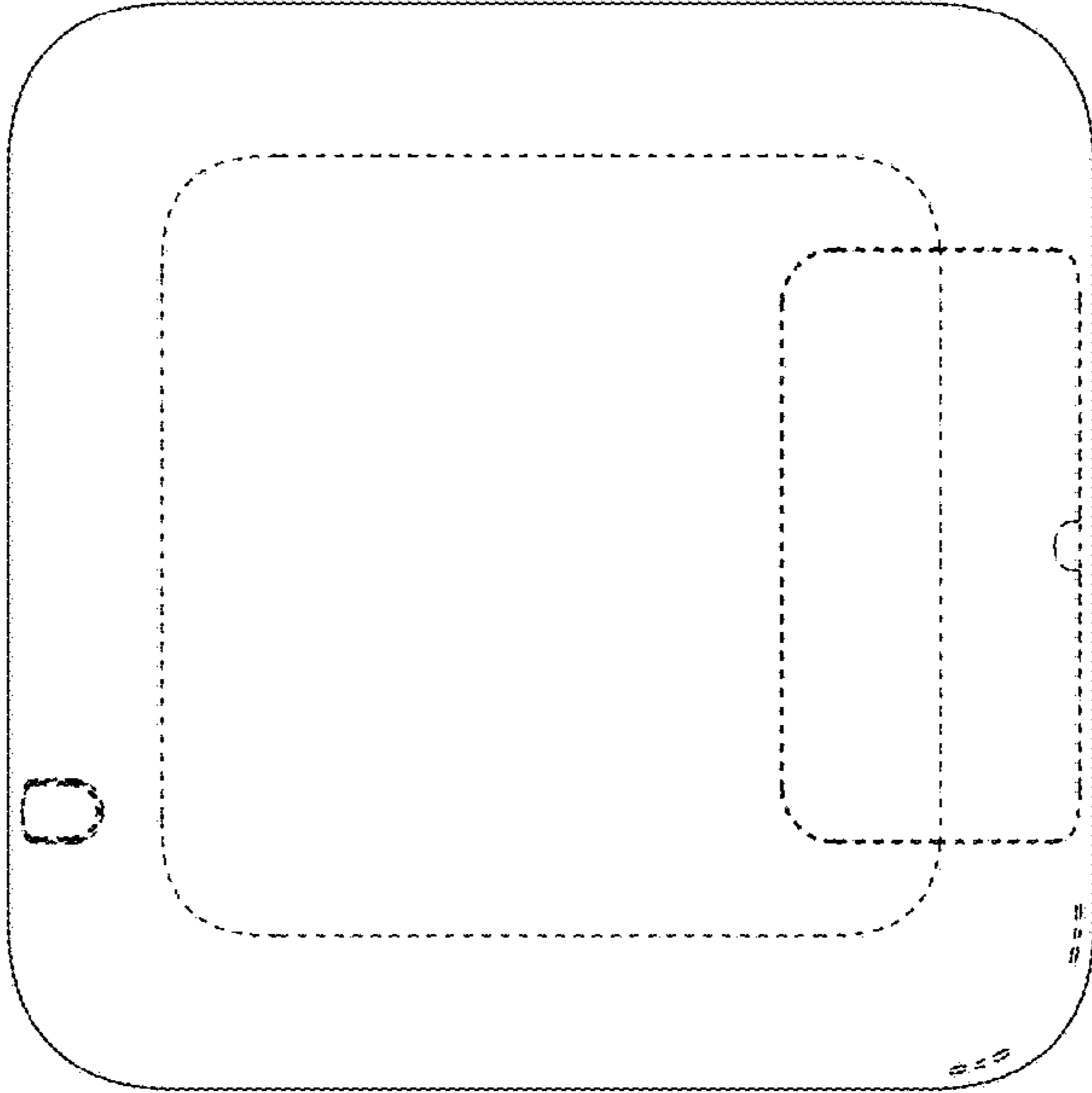


FIG. 7

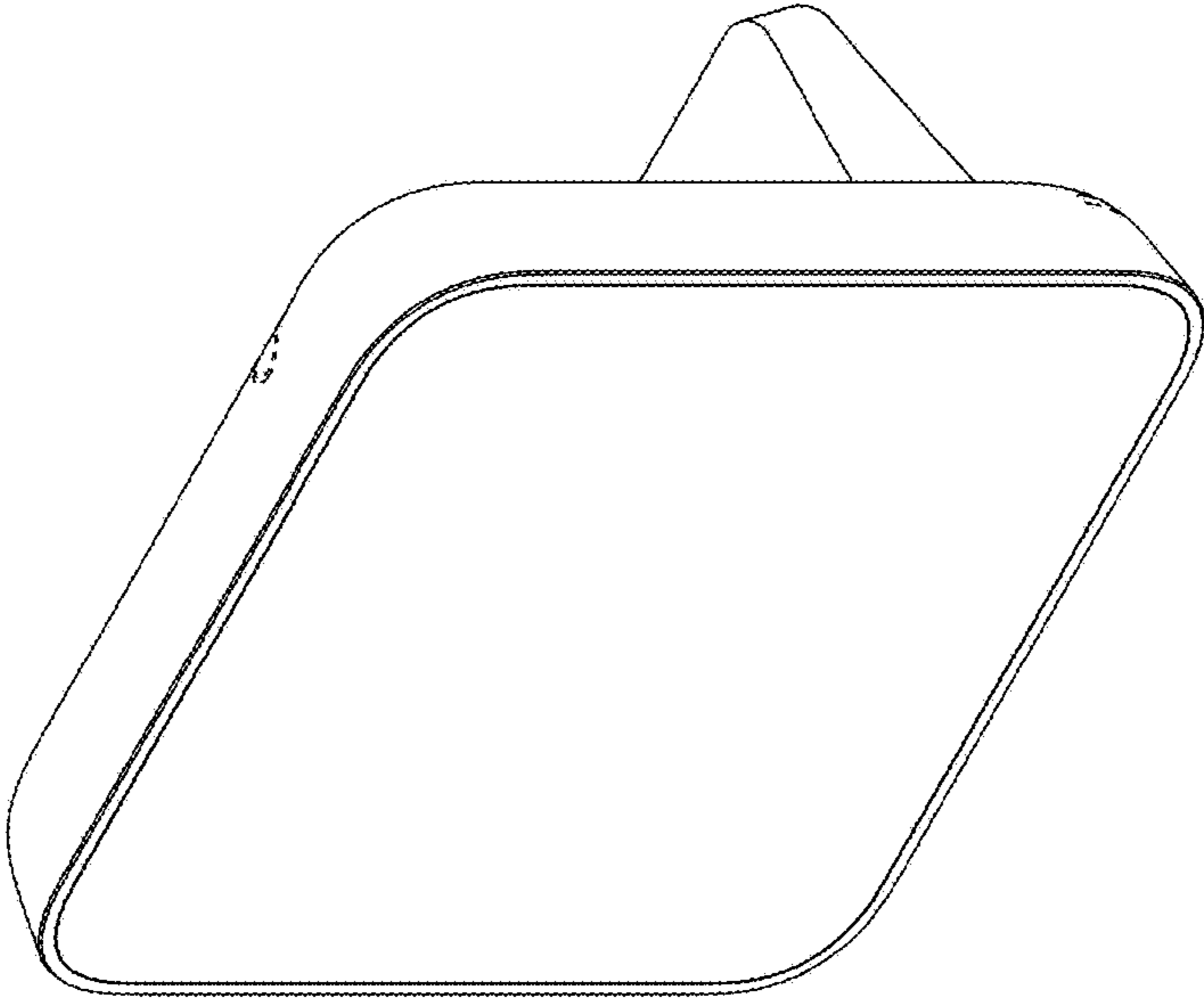


FIG. 8

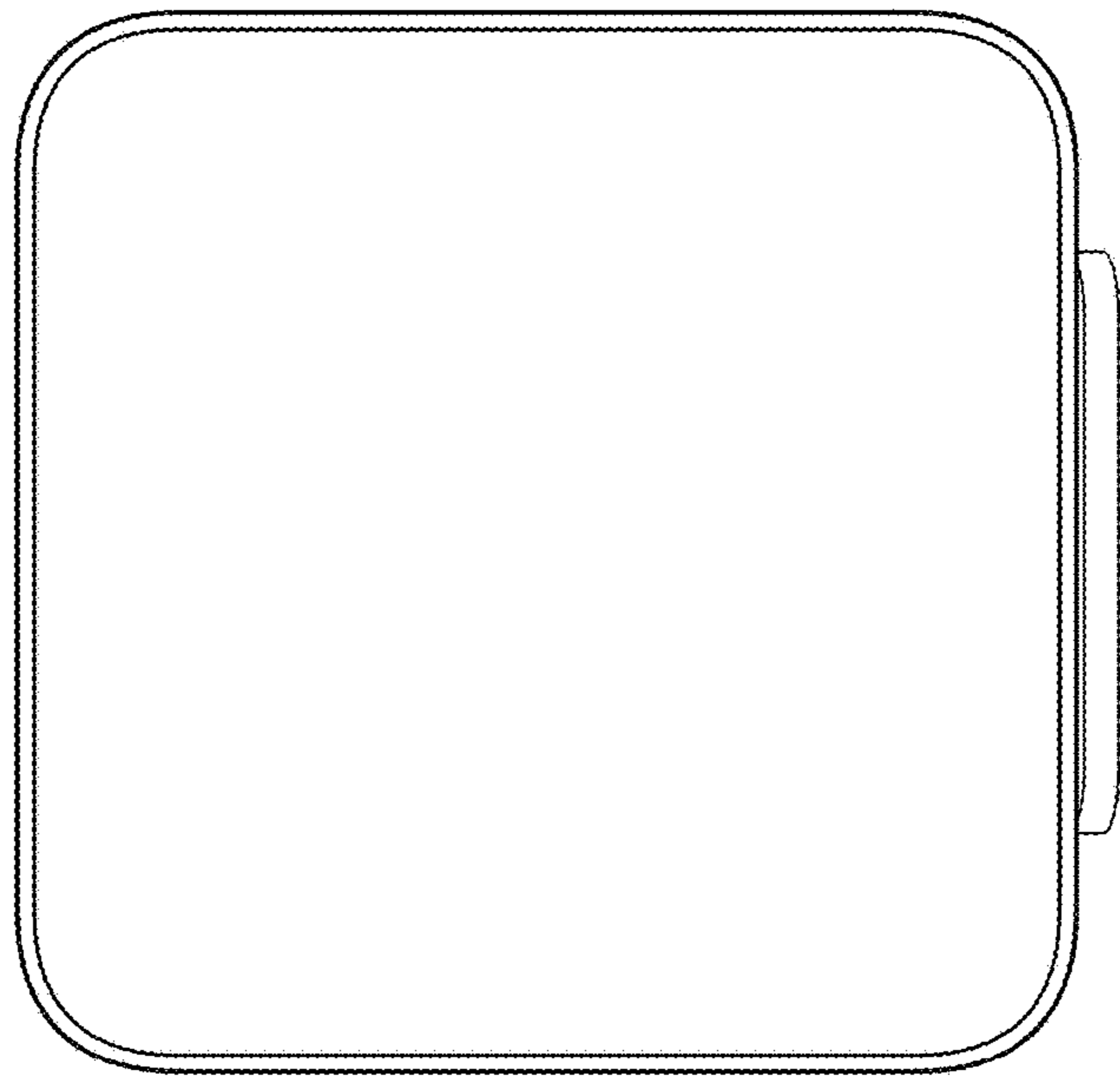


FIG. 9

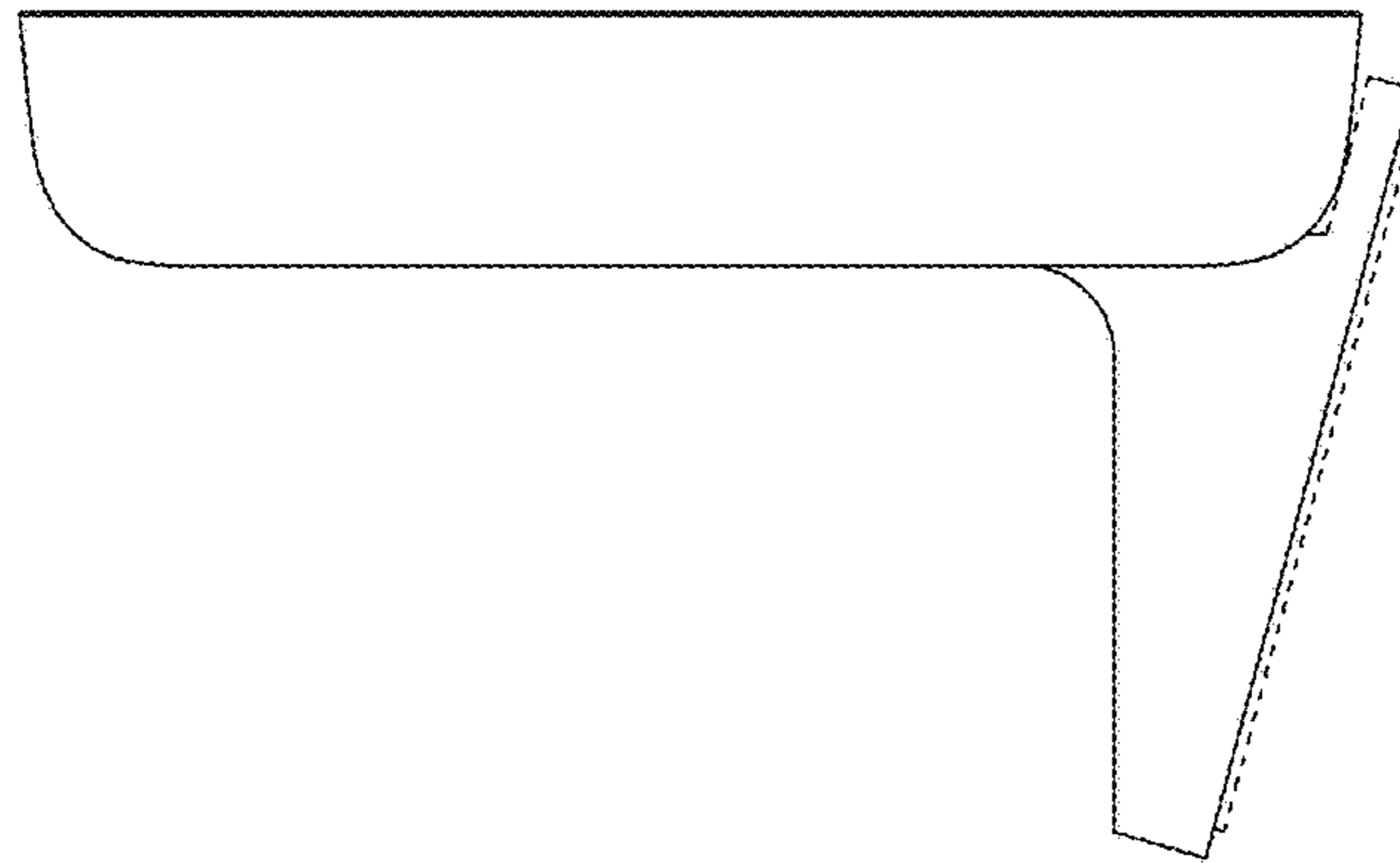


FIG. 10

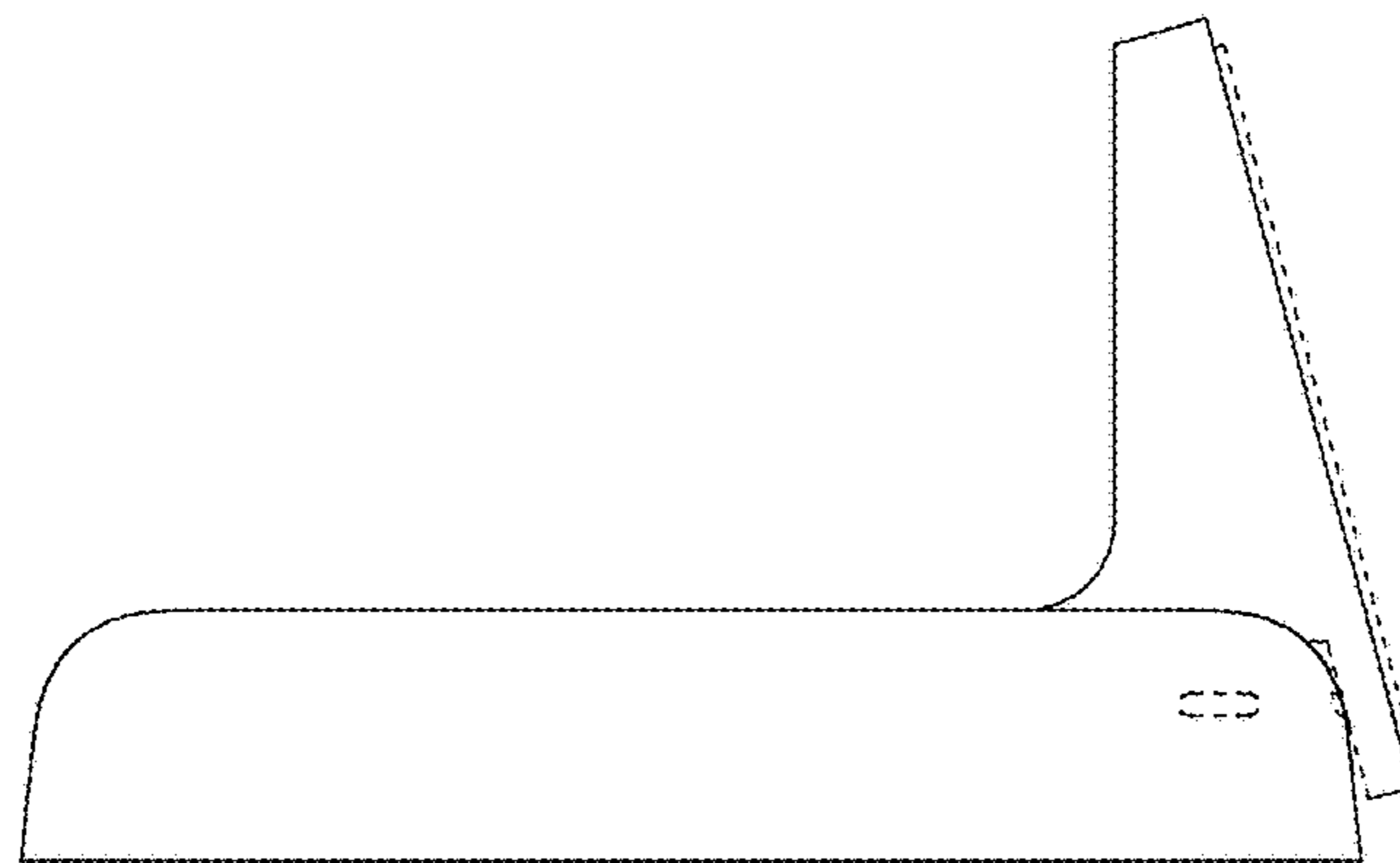


FIG. 11

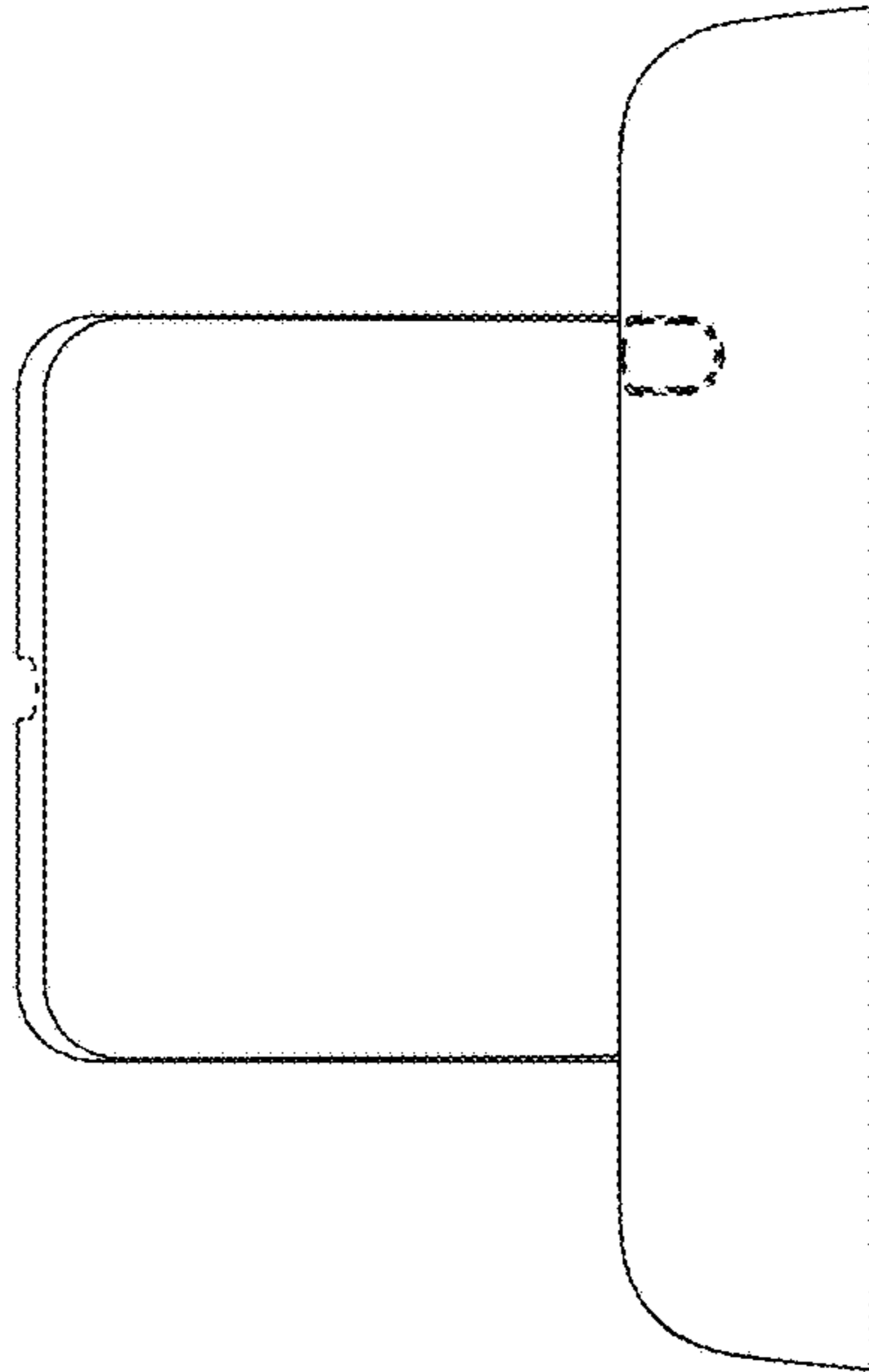


FIG. 12

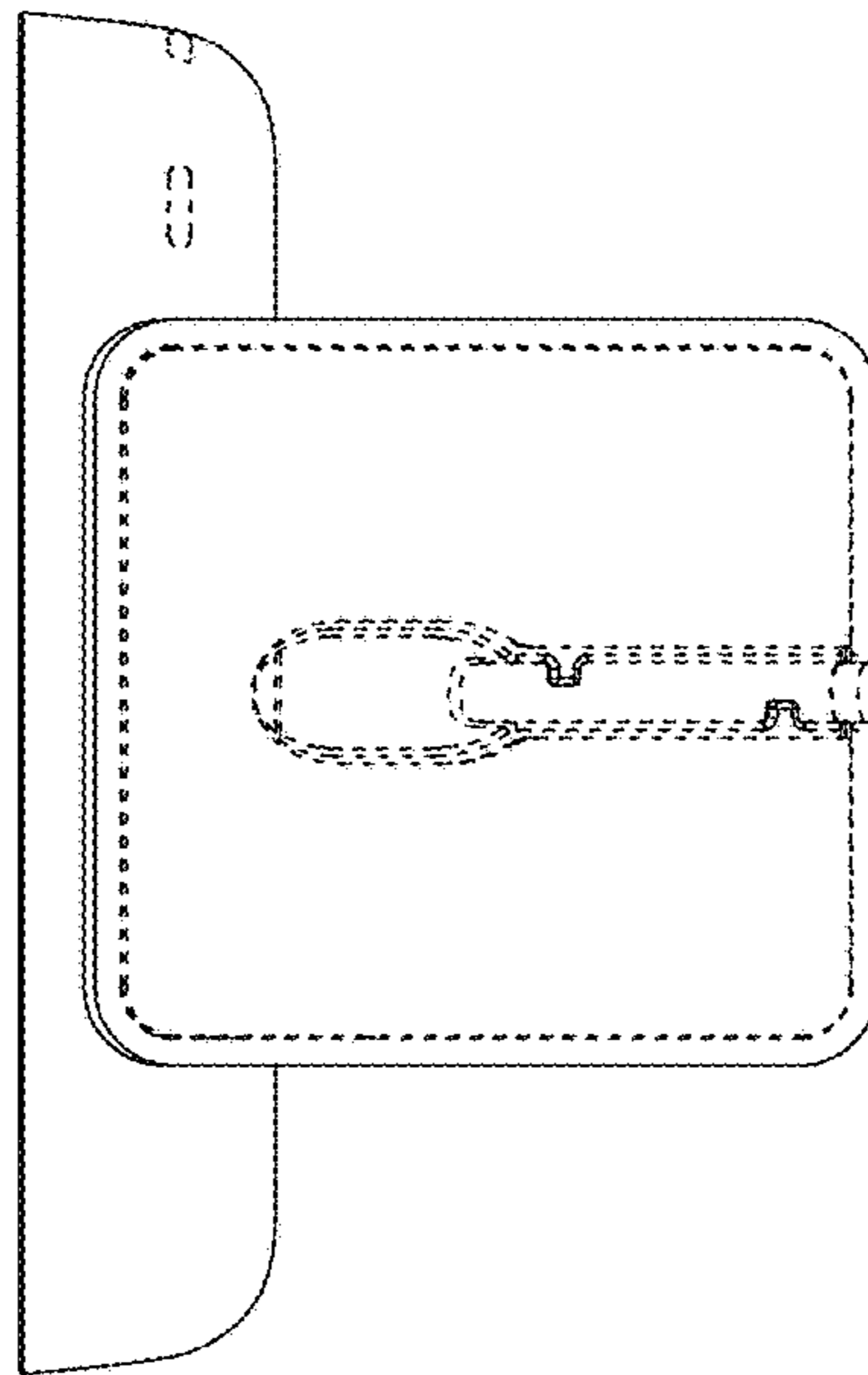


FIG. 13

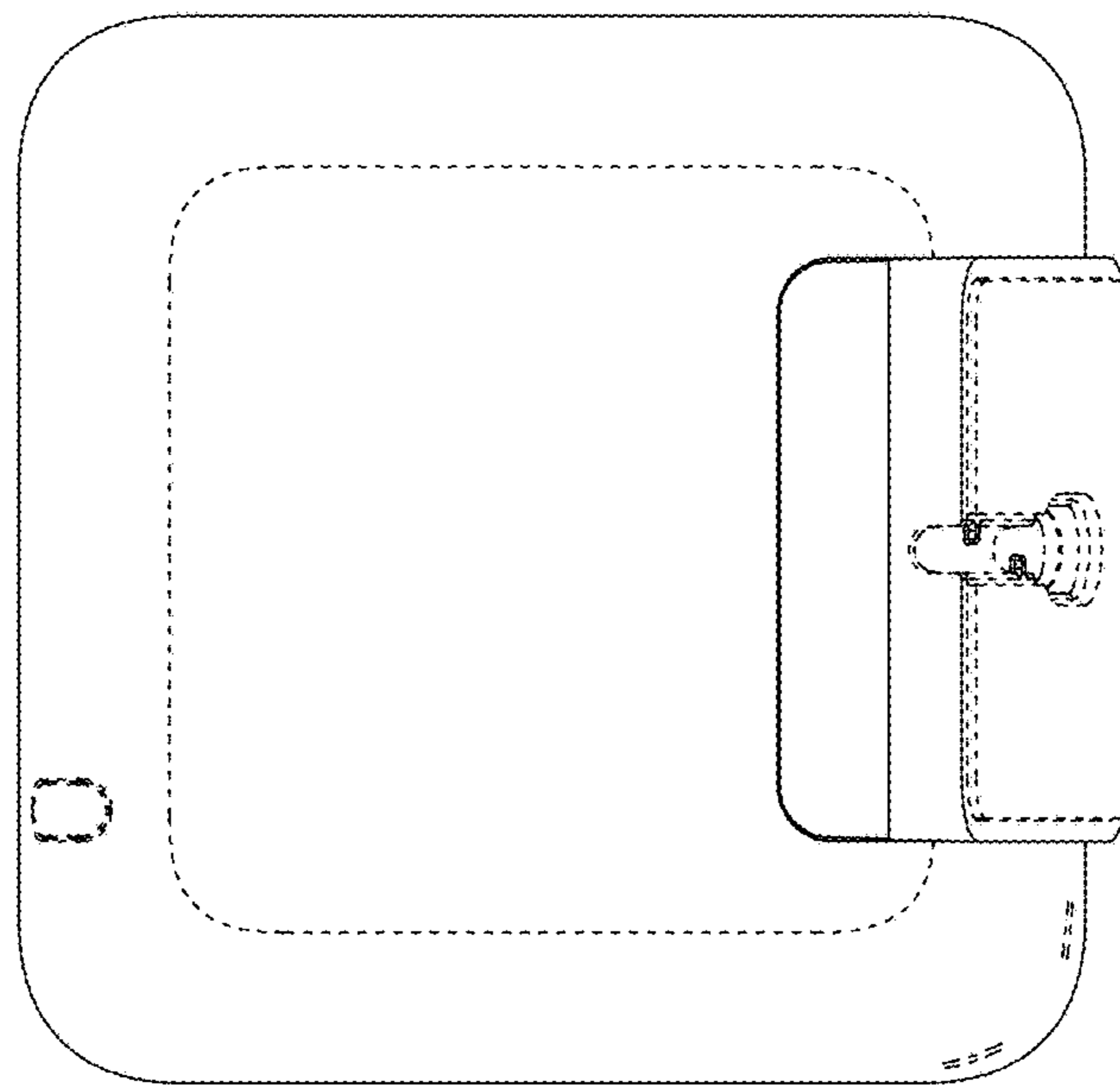


FIG. 14

UNITED STATES PATENT AND TRADEMARK OFFICE
CERTIFICATE OF CORRECTION

PATENT NO. : D871,933 S
APPLICATION NO. : 29/658438
DATED : January 7, 2020
INVENTOR(S) : Arthur Zhang

Page 1 of 1

It is certified that error appears in the above-identified patent and that said Letters Patent is hereby corrected as shown below:

On the Title Page

Claim:

Replace "The ornamental design for an HVAC controller, as shown and described." with --The ornamental design for an HVAC controller with and without the stand as shown and described.--

Signed and Sealed this
Twentieth Day of July, 2021



Drew Hirshfeld
*Performing the Functions and Duties of the
Under Secretary of Commerce for Intellectual Property and
Director of the United States Patent and Trademark Office*