



US00D871932S

(12) **United States Design Patent** (10) **Patent No.:** **US D871,932 S**
Mille (45) **Date of Patent:** **** Jan. 7, 2020**

(54) **WATCH**
(71) Applicant: **Turlen Holding SA**, Les Breuleux (CH)
(72) Inventor: **Richard Mille**, Moulins (FR)
(73) Assignee: **TURLEN HOLDING SA**, Les Breuleux (CH)

D658,516 S * 5/2012 Mille D10/39
D679,199 S * 4/2013 Mille D10/39
D710,216 S * 8/2014 Mille D10/38
D713,743 S * 9/2014 Mille D10/39
D755,646 S * 5/2016 Mille D10/125
D789,807 S * 6/2017 Mille D10/30
D823,138 S * 7/2018 Mille D10/39
D823,141 S * 7/2018 Mille D10/39
D850,296 S * 6/2019 Mille D10/39

(**) Term: **15 Years**

OTHER PUBLICATIONS

(21) Appl. No.: **29/650,867**

Richard Mille RM 12-01 Tourbillon | posted at hodinkee.com Sep. 2018 [online]. © 2009-2019, Hodinkee Inc [retrieved Sep. 10, 2019] from Internet: <<https://www.hodinkee.com/articles/richard-mille-rm-12-01-tourbillon-introducing>> (Year: 2018).*

(22) Filed: **Jun. 11, 2018**

* cited by examiner

(30) **Foreign Application Priority Data**

Mar. 7, 2018 (WO) DM/100225

(51) **LOC (12) Cl.** **10-02**

Primary Examiner — Sandra S Snapp

(52) **U.S. Cl.**
USPC **D10/39**

Assistant Examiner — Katherine Glennon

(74) *Attorney, Agent, or Firm* — Donald J. Ranft; Collen

(58) **Field of Classification Search**

USPC D10/30-39, 52-75, 98; D14/344
CPC G04B 3/046; G04B 3/048; G04B 19/00;
G04B 19/06; G04B 19/065; G04B 19/08;
G04B 19/082; G04B 19/085; G04B
19/087; G04B 19/10; G04B 19/103;
G04B 19/106; G04B 19/12; G04B 19/18;
G04B 19/22; G04B 19/24; G04B 19/241;
G04B 19/243; G04B 19/226; G04B
19/30; G04B 37/00; G04B 37/08; G04B
37/16; G04B 37/0058; G04B 45/0069;
G04B 45/0076; G04B 47/04; G04B
47/06; G04B 47/063; G04C 17/00

See application file for complete search history.

(57) **CLAIM**

The ornamental design for a watch, as shown and described.

(56) **References Cited**

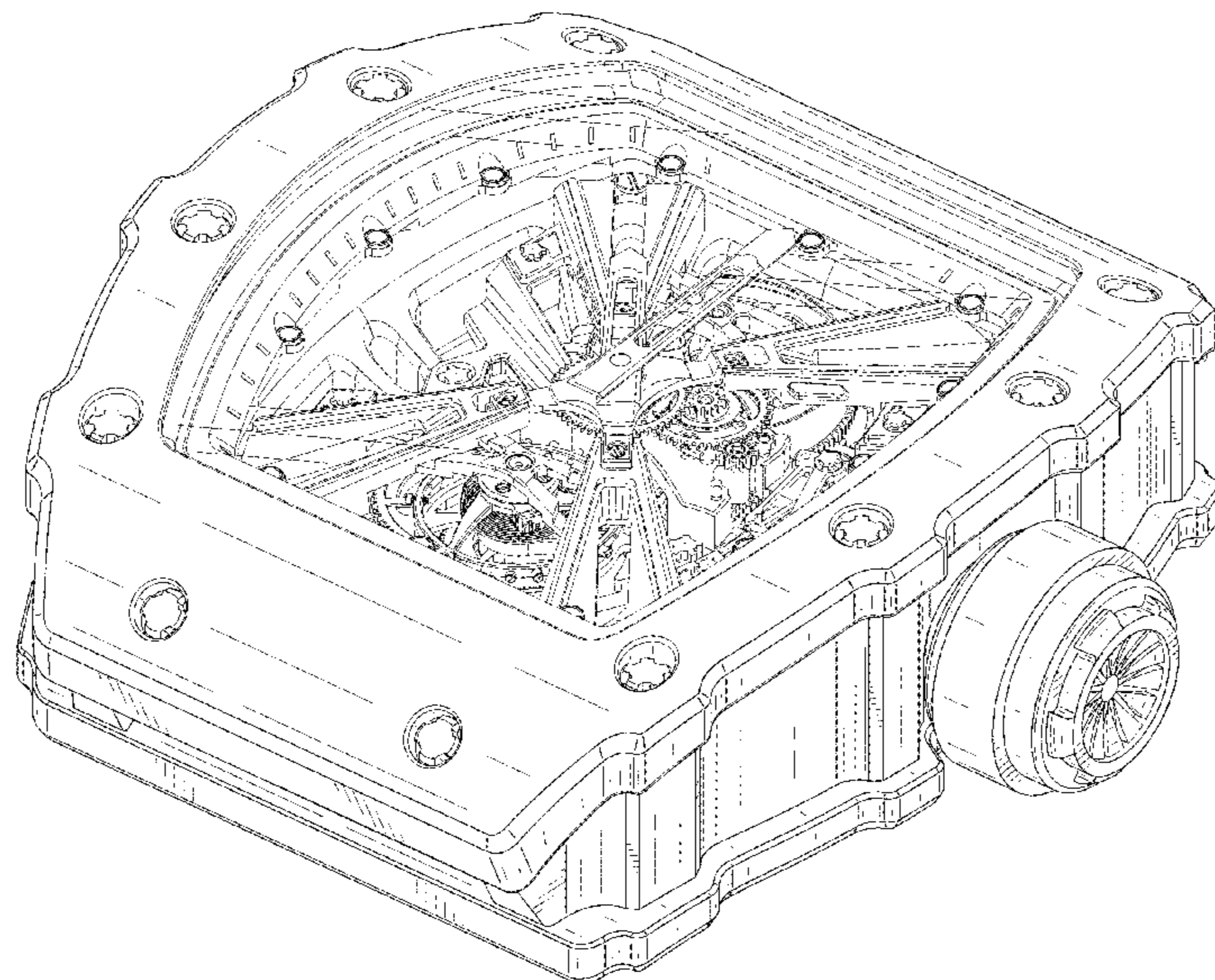
U.S. PATENT DOCUMENTS

D456,274 S * 4/2002 Mille D10/30
D519,390 S * 4/2006 Lovegrove D10/39

DESCRIPTION

FIG. 1 is a front right perspective view of a watch showing my new design;
FIG. 2 is a rear right perspective view thereof;
FIG. 3 is a front left perspective view thereof;
FIG. 4 is a rear right perspective view thereof;
FIG. 5 is a front view thereof;
FIG. 6 is a rear view thereof;
FIG. 7 is a right side view thereof;
FIG. 8 is a left side view thereof;
FIG. 9 is a bottom view thereof; and,
FIG. 10 is a top view thereof.
The portions of the watch shown in broken lines form no part of the claimed design.

1 Claim, 8 Drawing Sheets



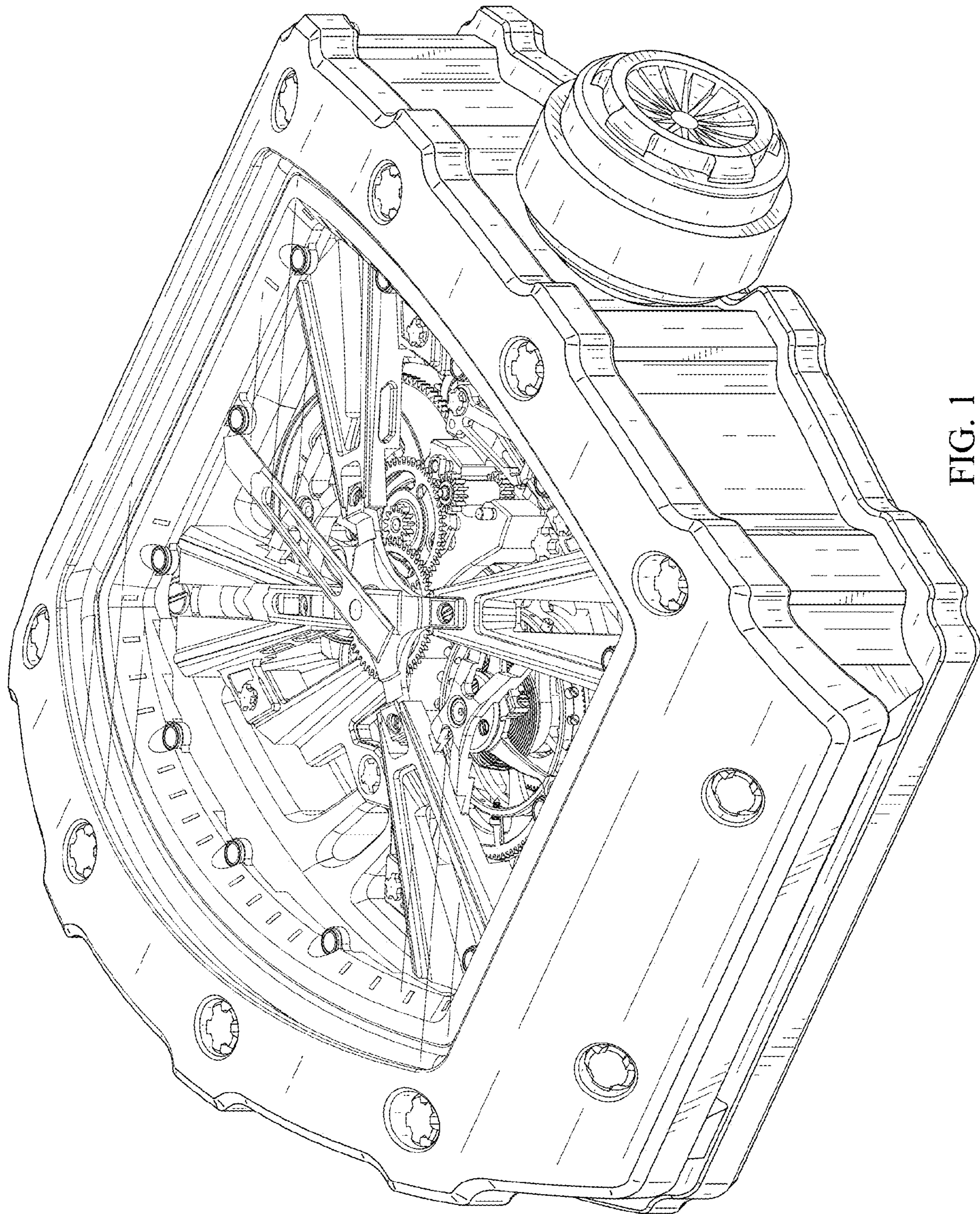


FIG. 1

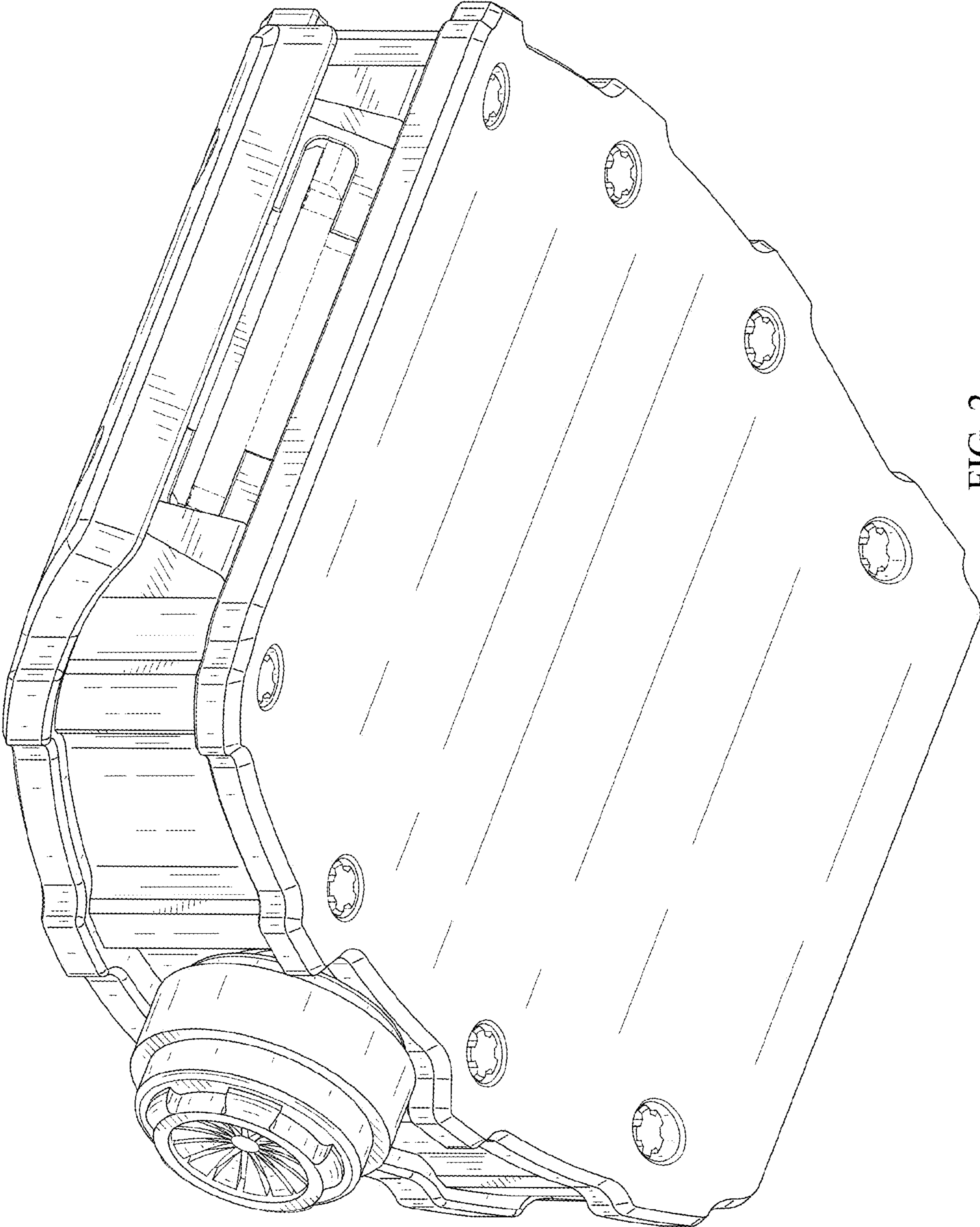


FIG. 2



FIG. 3

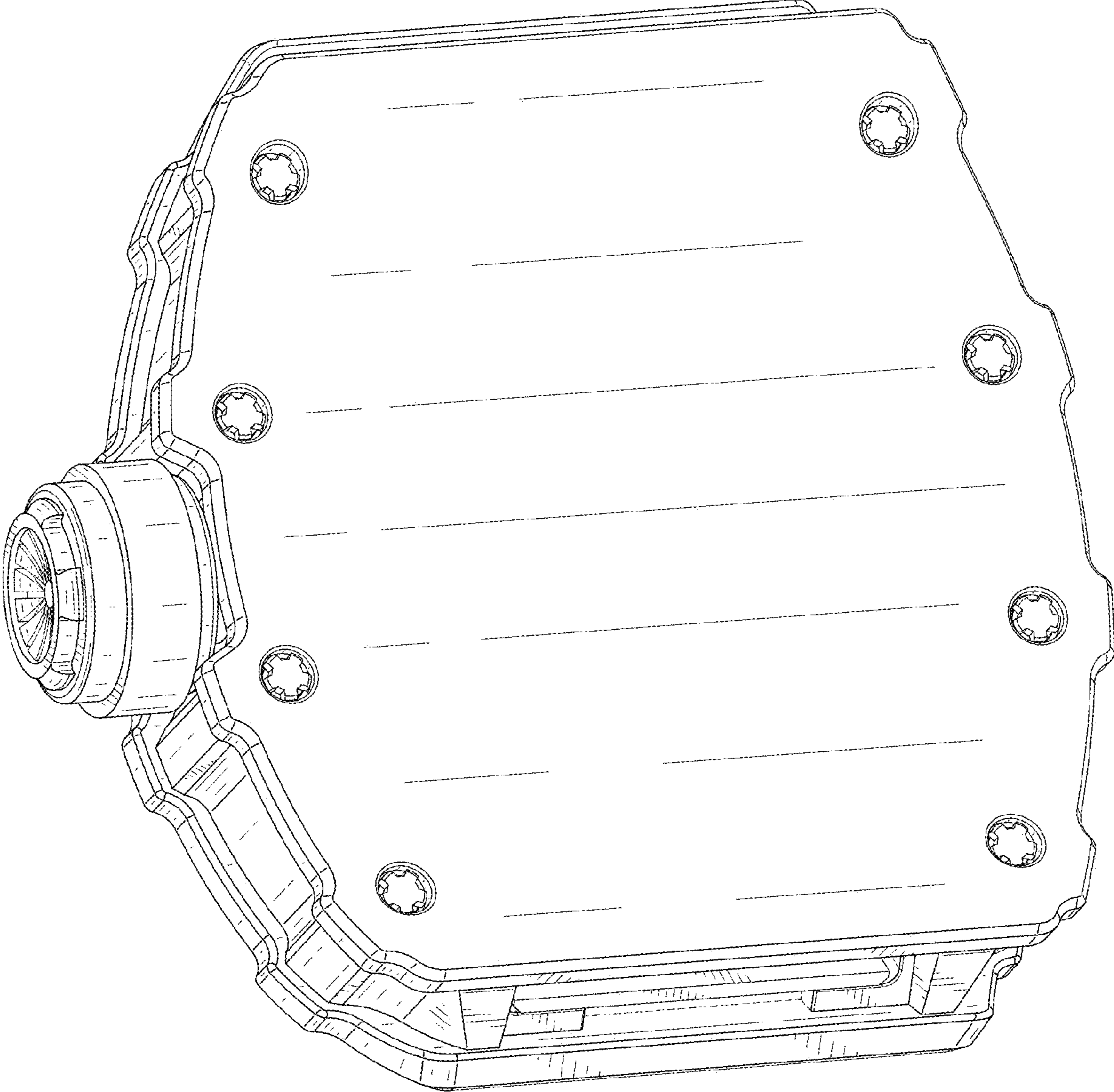


FIG. 4



FIG. 5

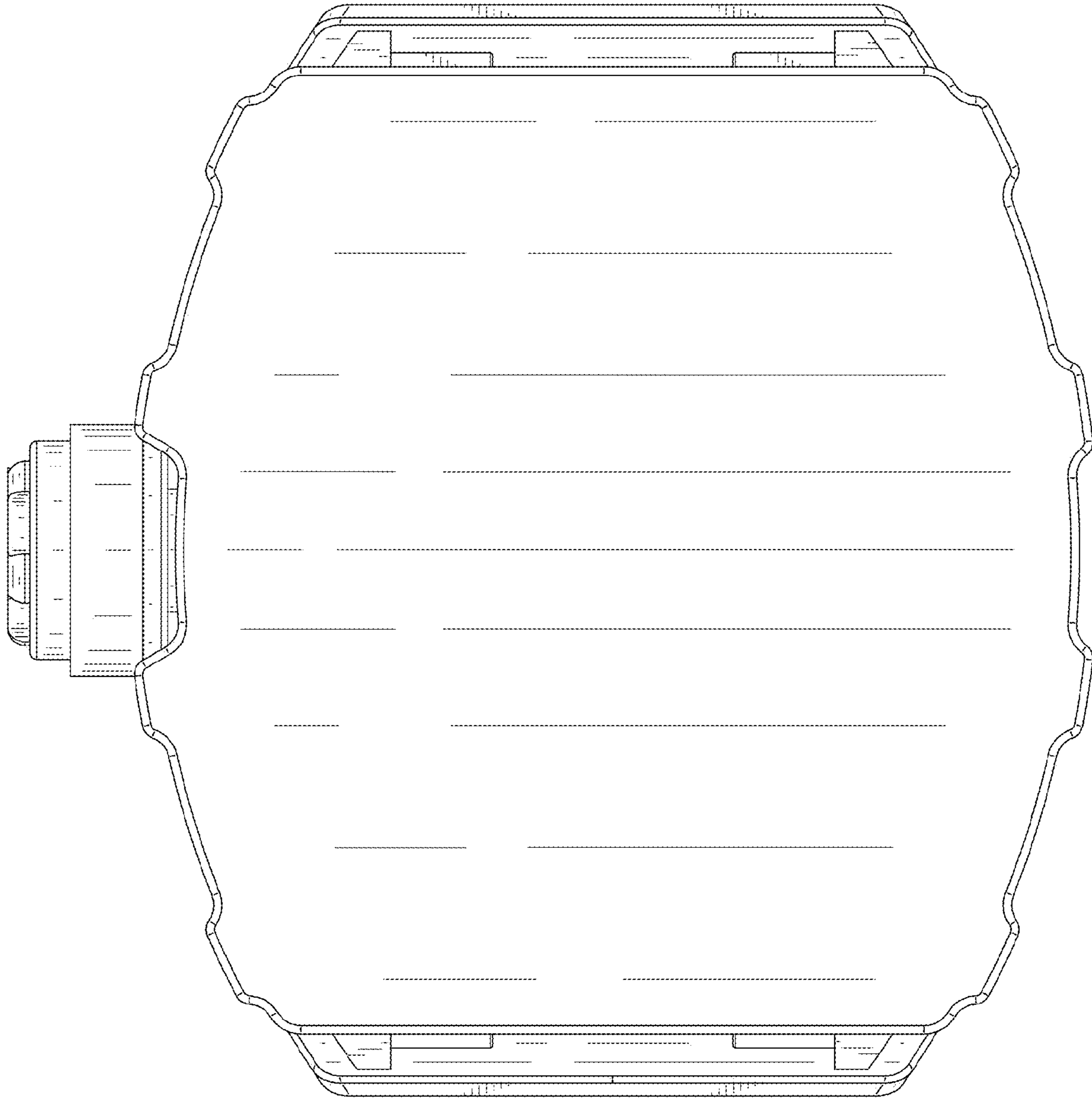


FIG. 6

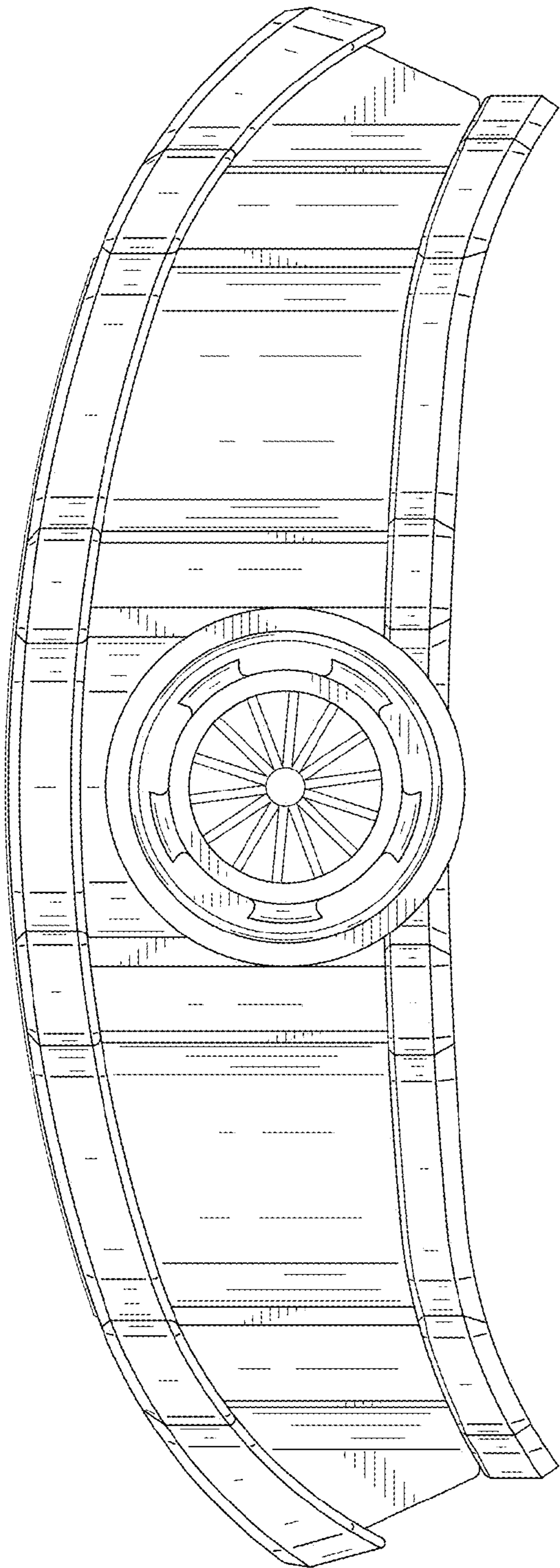


FIG. 7

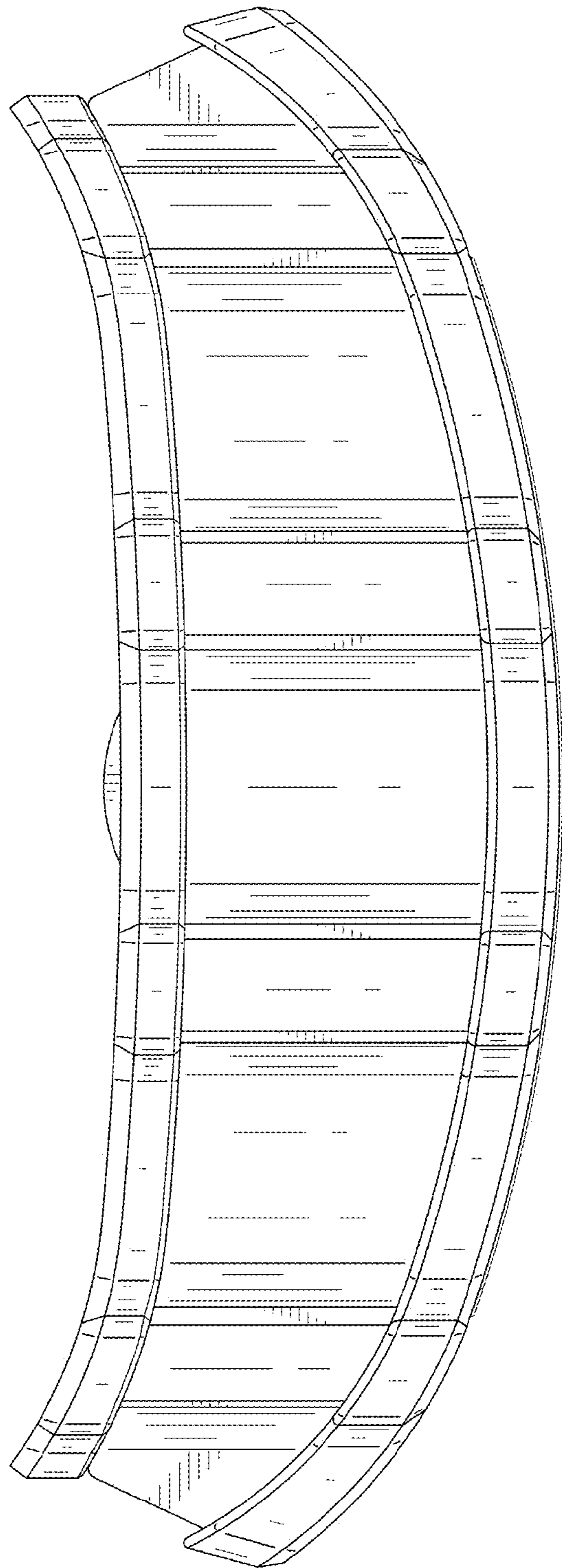


FIG. 8

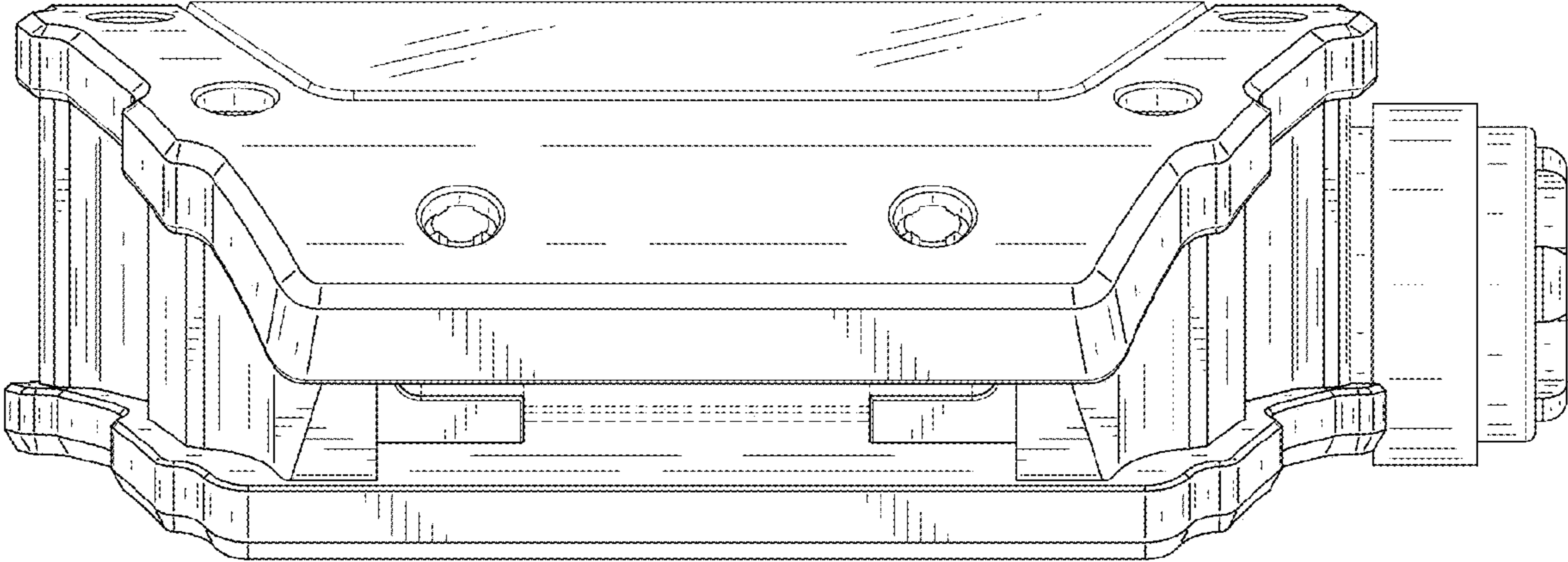


FIG. 9

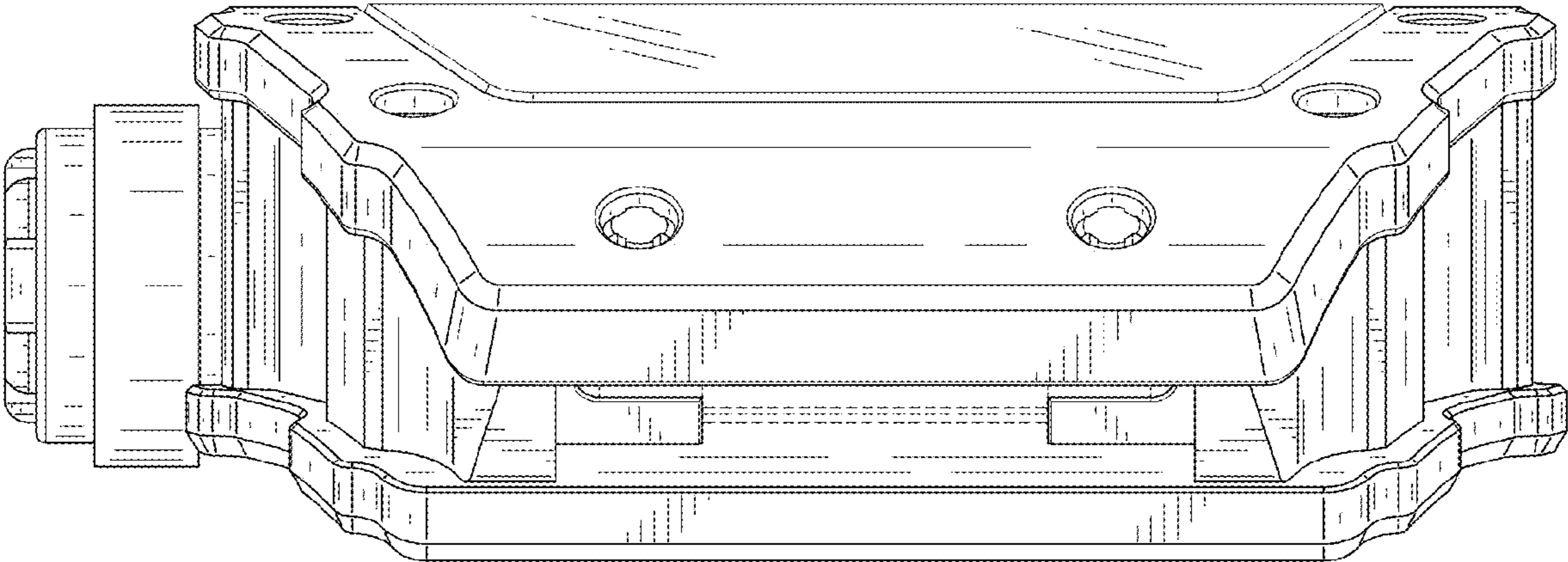


FIG. 10