



US00D871931S

(12) **United States Design Patent**
Stern

(10) **Patent No.:** **US D871,931 S**

(45) **Date of Patent:** **** Jan. 7, 2020**

- (54) **WATCH CASE WITH BRACELET**
- (71) Applicant: **PATEK PHILIPPE SA GENEVE,**
Geneva (CH)
- (72) Inventor: **Thierry Stern,** Geneva (CH)
- (73) Assignee: **PATEK PHILIPPE SA GENEVE,**
Genève (CH)
- (**) Term: **15 Years**
- (21) Appl. No.: **35/505,648**
- (22) Filed: **Mar. 14, 2018**
- (80) **Hague Agreement Data**
Int. Filing Date: **Mar. 14, 2018**
Int. Reg. No.: **DM/100717**
Int. Reg. Date: **Mar. 14, 2018**
Int. Reg. Pub. Date: **Sep. 14, 2018**
- (51) **LOC (12) Cl.** **10-07**
- (52) **U.S. Cl.**
USPC **D10/38**
CPC **A41D 19/0027 (2013.01)**
- (58) **Field of Classification Search**
USPC D10/1, 2, 10, 30-39, 98, 99, 122-128,
D10/132
CPC A41D 19/0027; A45C 11/10; G04C 19/00;
G04C 19/02; G04B 19/00; G04B 19/08;
G04B 19/048; G04B 19/04; G04B
19/046; G04B 19/06; G04B 19/025;
G04B 19/065; G04B 19/082; G04B
19/085; G04B 19/087; G04B 19/10;
G04B 19/103; G04B 19/106; G04B
47/042; G04B 19/12; G04B 19/18; G04B
19/223; G04B 19/23; G04B 19/24; G04B
19/241; G04B 19/243; G04D 3/04
See application file for complete search history.

(56) **References Cited**
U.S. PATENT DOCUMENTS

- D445,343 S * 7/2001 Schneider D10/30
- D562,704 S * 2/2008 Lalo D10/32

- D563,802 S * 3/2008 Loth D10/39
- D565,431 S * 4/2008 Hatt D10/38
- D565,987 S * 4/2008 Krieger D10/126
- D566,581 S * 4/2008 Giannini D10/32
- D568,178 S * 5/2008 Giannini D10/32
- D571,230 S * 6/2008 Krieger D10/39
- D574,733 S * 8/2008 Blair D10/32
- D582,792 S * 12/2008 Lalo D10/38
- D586,668 S * 2/2009 Dias D10/38
- D589,378 S * 3/2009 Takahashi D10/32
- D605,533 S * 12/2009 Schoepfer D10/38
- D609,583 S * 2/2010 Lalo D10/32
- D609,584 S * 2/2010 Lalo D10/32
- D609,587 S * 2/2010 Lalo D10/38
- D666,924 S * 9/2012 Ahlstrom D10/32
- D666,925 S * 9/2012 Ahlstrom D10/32
- D672,664 S * 12/2012 Monachon D10/32
- D682,713 S * 5/2013 Vaptzarof D10/39
- D720,240 S * 12/2014 Takahashi D10/39
- D731,327 S * 6/2015 Schoepfer D10/39
- D732,981 S * 6/2015 Waecker D10/38
- D740,695 S * 10/2015 Waecker D10/38
- D784,829 S * 4/2017 Kita D10/38
- D793,871 S * 8/2017 Lasserre D10/30
- D817,194 S * 5/2018 Monachon D10/39
- D828,185 S * 9/2018 Savolainen D10/38

(Continued)

Primary Examiner — Richard E Chilcot
(74) *Attorney, Agent, or Firm* — Young & Thompson

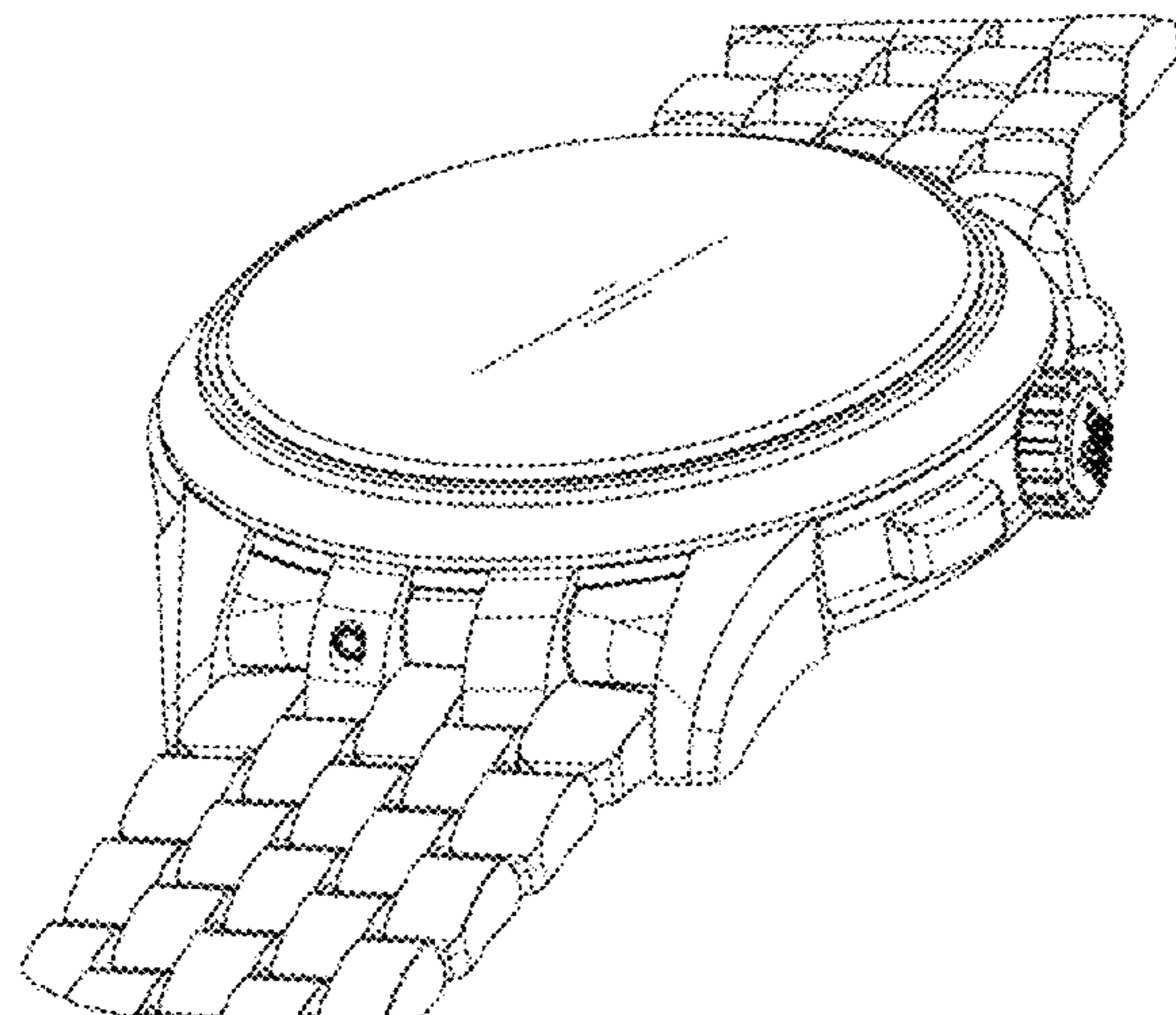
(57) **CLAIM**

The ornamental design for a watch case with bracelet, as shown and described.

DESCRIPTION

- 1.1 is a front, left side, and bottom perspective view of a watch case with bracelet showing the new design;
- 1.2 is a front, right side, and top perspective view thereof;
- 1.3 is a front elevation view thereof;
- 1.4 is a left side elevation view thereof in an alternate configuration without the bracelet; and
- 1.5 is a right side elevation view thereof.

1 Claim, 5 Drawing Sheets



(56)

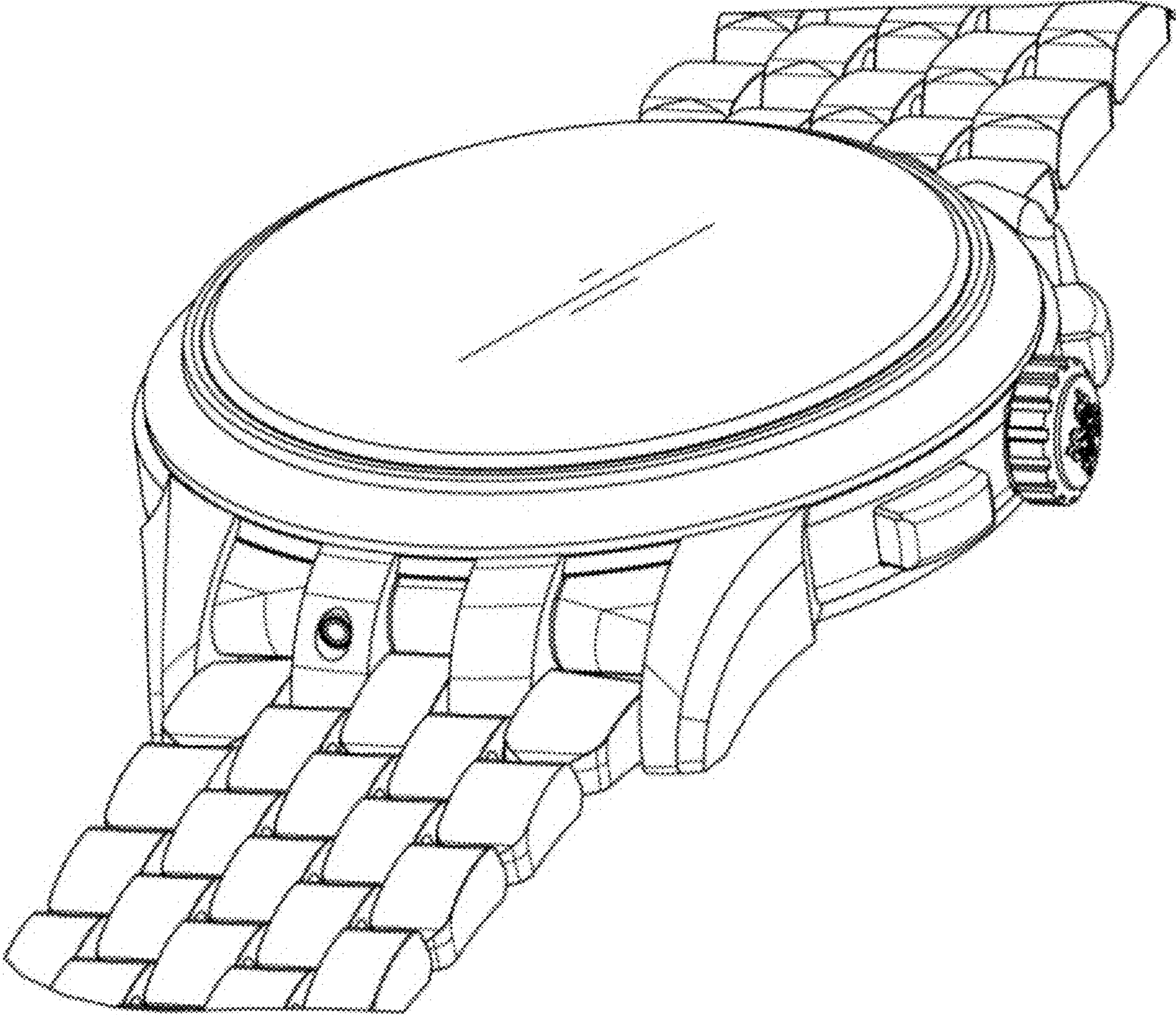
References Cited

U.S. PATENT DOCUMENTS

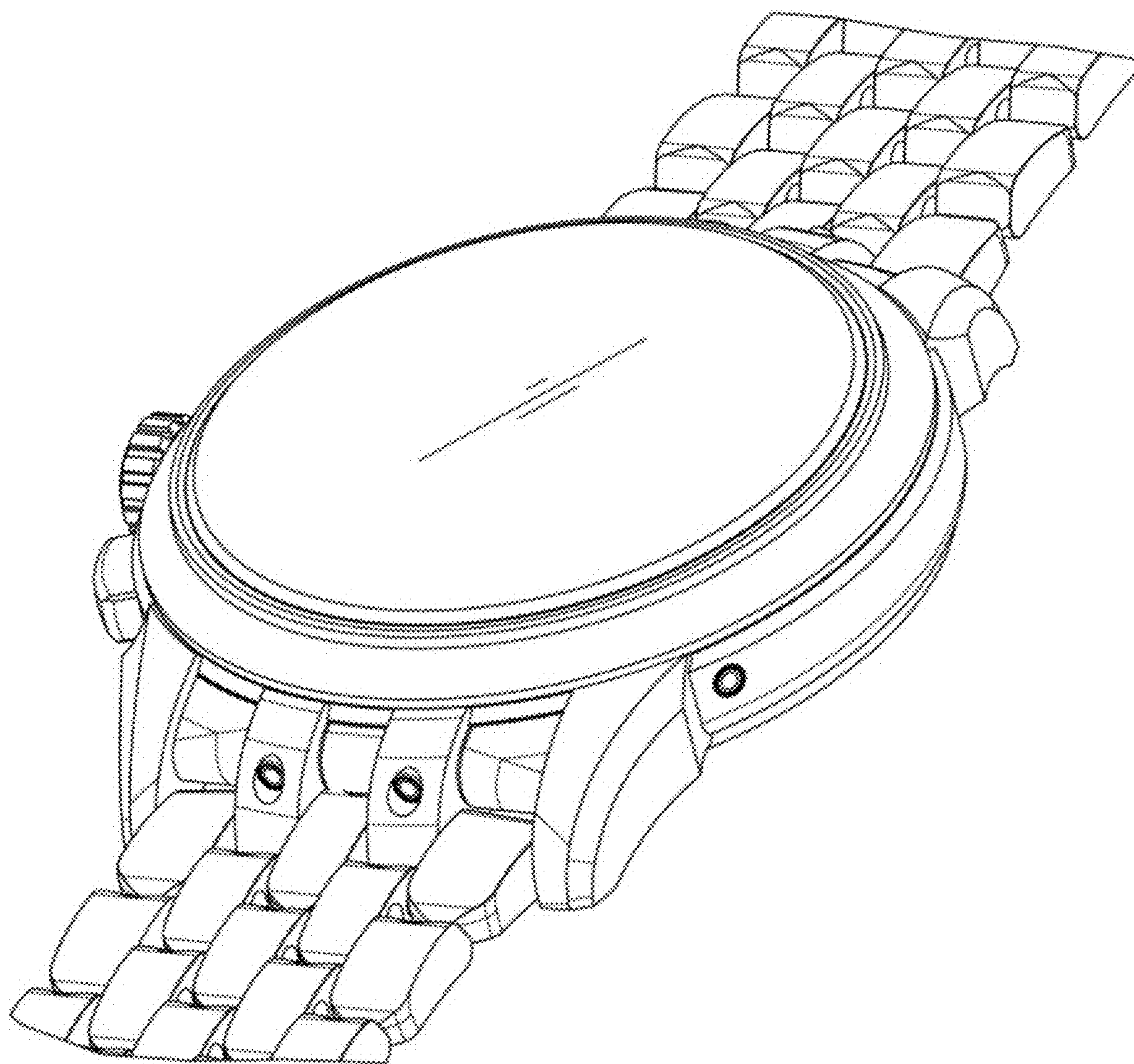
D836,008	S	*	12/2018	Schoepfer	D10/39
D848,865	S	*	5/2019	Behling	D10/32
D850,292	S	*	6/2019	Dicks	D10/30
D850,295	S	*	6/2019	Behling	D10/39
D850,936	S	*	6/2019	Behling	D10/32

* cited by examiner

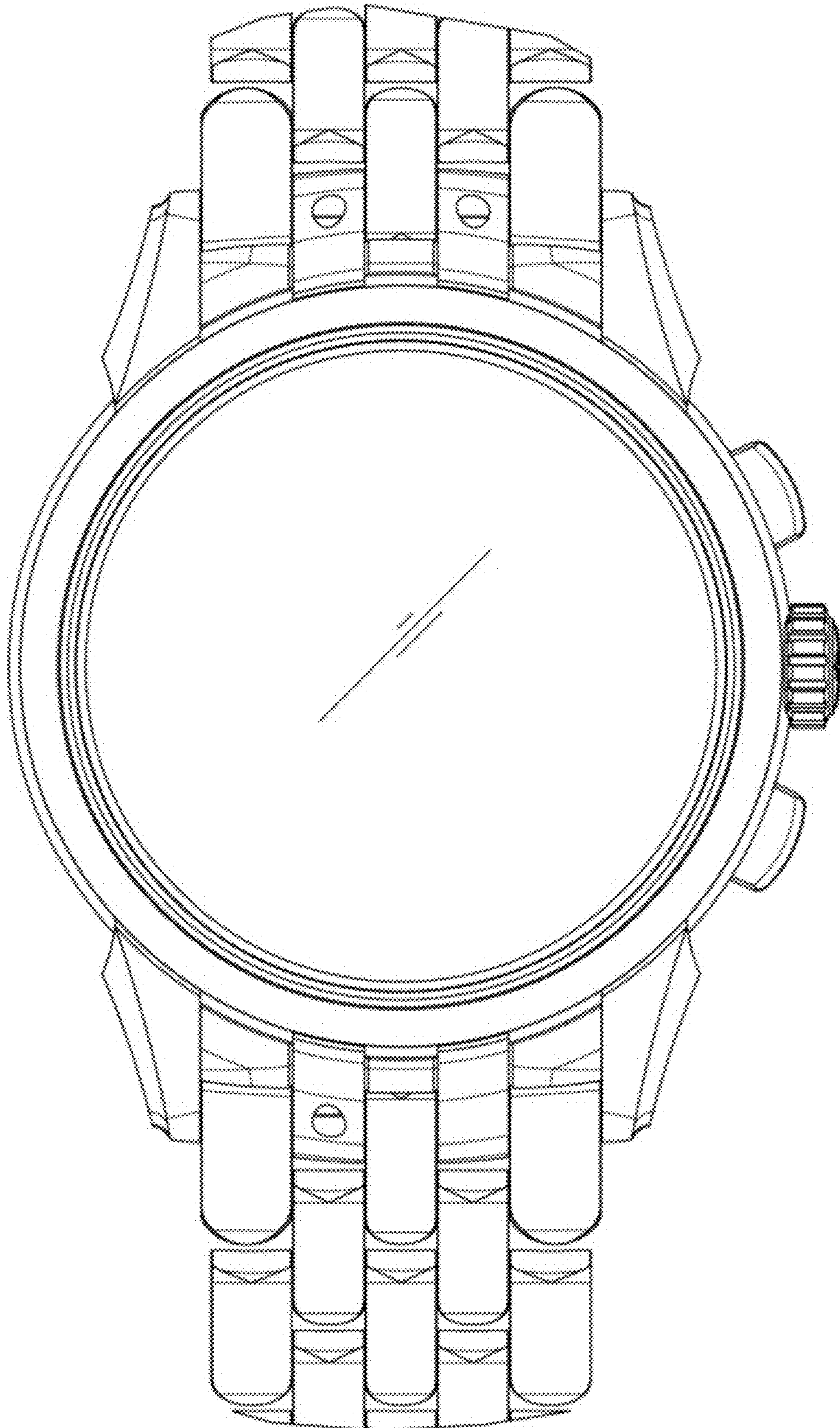
1.1



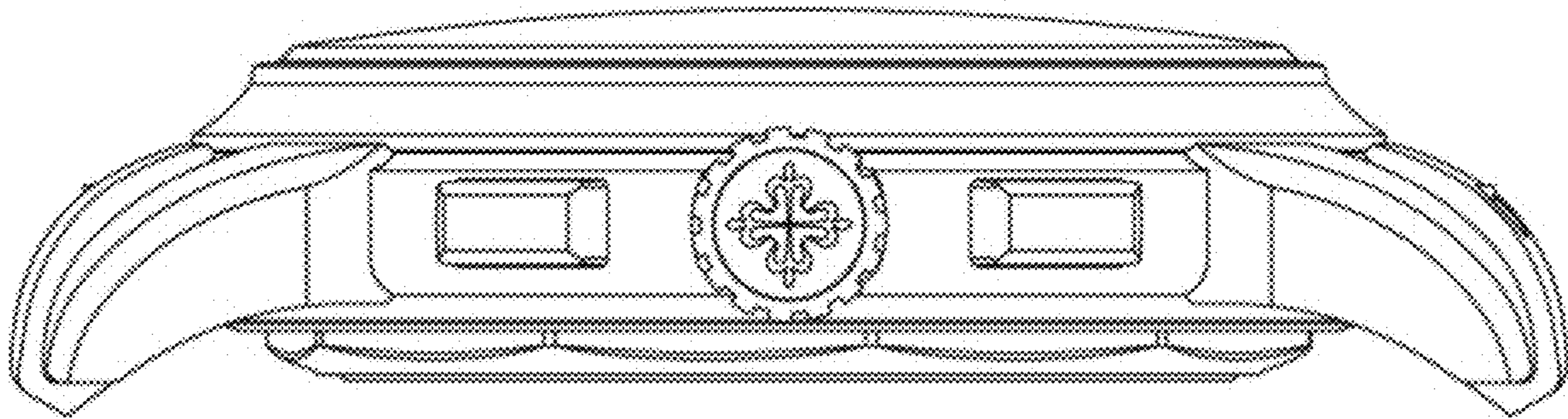
1.2



1.3



1.4



1.5

