



US00D871930S

(12) **United States Design Patent**
Kuruvilla et al.

(10) **Patent No.:** **US D871,930 S**
(45) **Date of Patent:** **** Jan. 7, 2020**

(54) **EGG CARTON HAVING A TRIM FEATURE**

(71) Applicant: **Tekni-Plex, Inc.**, Wayne, PA (US)

(72) Inventors: **Babu Kuruvilla**, Griffin, GA (US);
Mark A. Bergeron, Monroe, GA (US)

(73) Assignee: **Tekni-Plex, Inc.**, Wayne, PA (US)

(**) Term: **15 Years**

(21) Appl. No.: **29/592,804**

(22) Filed: **Feb. 2, 2017**

(51) **LOC (12) Cl.** **09-03**

(52) **U.S. Cl.**
USPC **D9/762; D9/757**

(58) **Field of Classification Search**
USPC D9/762, 757, 737, 761, 420, 424, 425,
D9/432; D7/611, 550.1, 701, 703,
D7/553.1–553.5; 220/4.26, 508;
206/521.1, 521.15; 229/406
CPC B65D 85/324; B65D 85/32; B65D 43/162;
B65D 2543/00296; B65D 71/70; B65D
85/322; B29L 2031/7168

See application file for complete search history.

(56) **References Cited**

U.S. PATENT DOCUMENTS

2,756,918	A *	7/1956	Schwartzberg	B65D 85/324 206/521.1
2,865,548	A *	12/1958	Stewart	B65D 85/324 206/459.5
2,924,368	A *	2/1960	Lord	B65D 85/322 206/521.1
3,298,594	A *	1/1967	Makowski	B65D 85/324 206/521.1
3,346,171	A *	10/1967	Baker	B65D 85/324 206/521.1
3,510,049	A *	5/1970	Donovan	B65D 85/324 206/521.1

3,531,044	A *	9/1970	Baker	B65D 85/324 206/521.4
3,563,450	A *	2/1971	Dahlberg	B65D 85/324 206/521.1
D224,518	S *	8/1972	Pearl et al.	206/521.1
D256,667	S *	9/1980	Congleton	D9/757
5,282,534	A *	2/1994	Lapp	B65D 25/205 206/232
D385,780	S *	11/1997	Krupa	D9/757
D409,483	S *	5/1999	Herbruck	D9/762
6,012,583	A	1/2000	Ramirez		
D491,463	S *	6/2004	Zelina	D9/757

(Continued)

OTHER PUBLICATIONS

Egg Carton Outline—Illustration, available Oct. 8, 2014, [online], [site visited Mar. 26, 2019]. Available from internet, <URL: https://www.istockphoto.com/vector/egg-carton-outline-gm517240711-48821308 (Year: 2014).*

(Continued)

Primary Examiner — W. A. Teddy Falloway
(74) *Attorney, Agent, or Firm* — Polsinelli PC

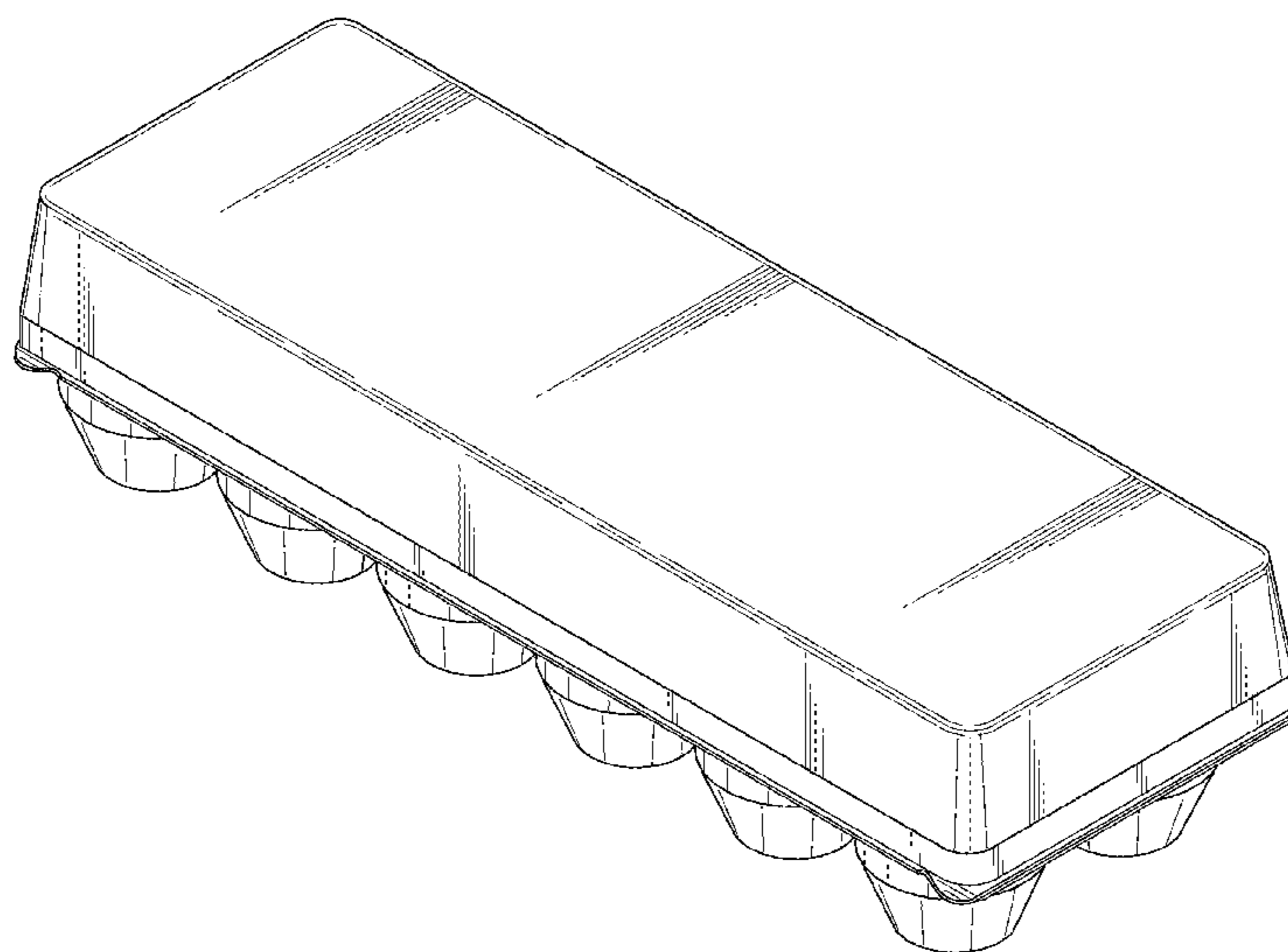
(57) **CLAIM**

The ornamental design for an egg carton having a trim feature, as shown and described.

DESCRIPTION

FIG. 1 is a top perspective view of an egg carton having a trim feature, according to our new design; FIG. 2 is a top plan view thereof; FIG. 3 is a right side elevational view thereof; the left side view being a mirror image of FIG. 3; FIG. 4 is a front elevational view thereof; and, FIG. 5 is a rear elevational view thereof. The broken lines shown illustrate portions of the egg carton having a trim feature that form no part of the claimed design.

1 Claim, 3 Drawing Sheets



(56)

References Cited

U.S. PATENT DOCUMENTS

D506,932	S	7/2005	Ramirez	
8,695,803	B2	4/2014	Blanchette et al.	
8,851,315	B2	10/2014	Vovan	
9,340,350	B2	5/2016	Kuruvilla et al.	
D773,934	S *	12/2016	Kuruvilla	D8/323
D788,601	S *	6/2017	Muhlemann	D9/762
9,828,171	B2 *	11/2017	Blanchette	B65D 85/32
2003/0015451	A1 *	1/2003	Sencer	B65D 85/324
				206/521.1
2007/0039850	A1 *	2/2007	Vickers	B65D 43/162
				206/521.1
2010/0147729	A1 *	6/2010	Blanchette	B65D 85/32
				206/521.1
2011/0120898	A1 *	5/2011	Archambault	B65D 85/32
				206/521.1
2011/0226656	A1 *	9/2011	Archambault	B65D 85/32
				206/521.1
2013/0048527	A1	2/2013	Ramirez et al.	
2013/0183412	A1	7/2013	Ramirez et al.	
2014/0131245	A1 *	5/2014	Blanchette	B65D 85/32
				206/521.7
2018/0215532	A1 *	8/2018	Kuruvilla	B65D 43/162
2018/0273285	A1 *	9/2018	Bergeron	B65D 85/32

OTHER PUBLICATIONS

Kitchen Collection Plastic Egg Container, available Oct. 17, 2017, [online], [site visited Mar. 26, 2019]. Available from internet, <URL: <https://www.kitchencollection.com/kitchen-collection-plastic-egg-container-04139> (Year: 2017).*

Pactiv/Interplast clear plastic egg carton photo with tab at hinge edge (Dec. 2016).

* cited by examiner

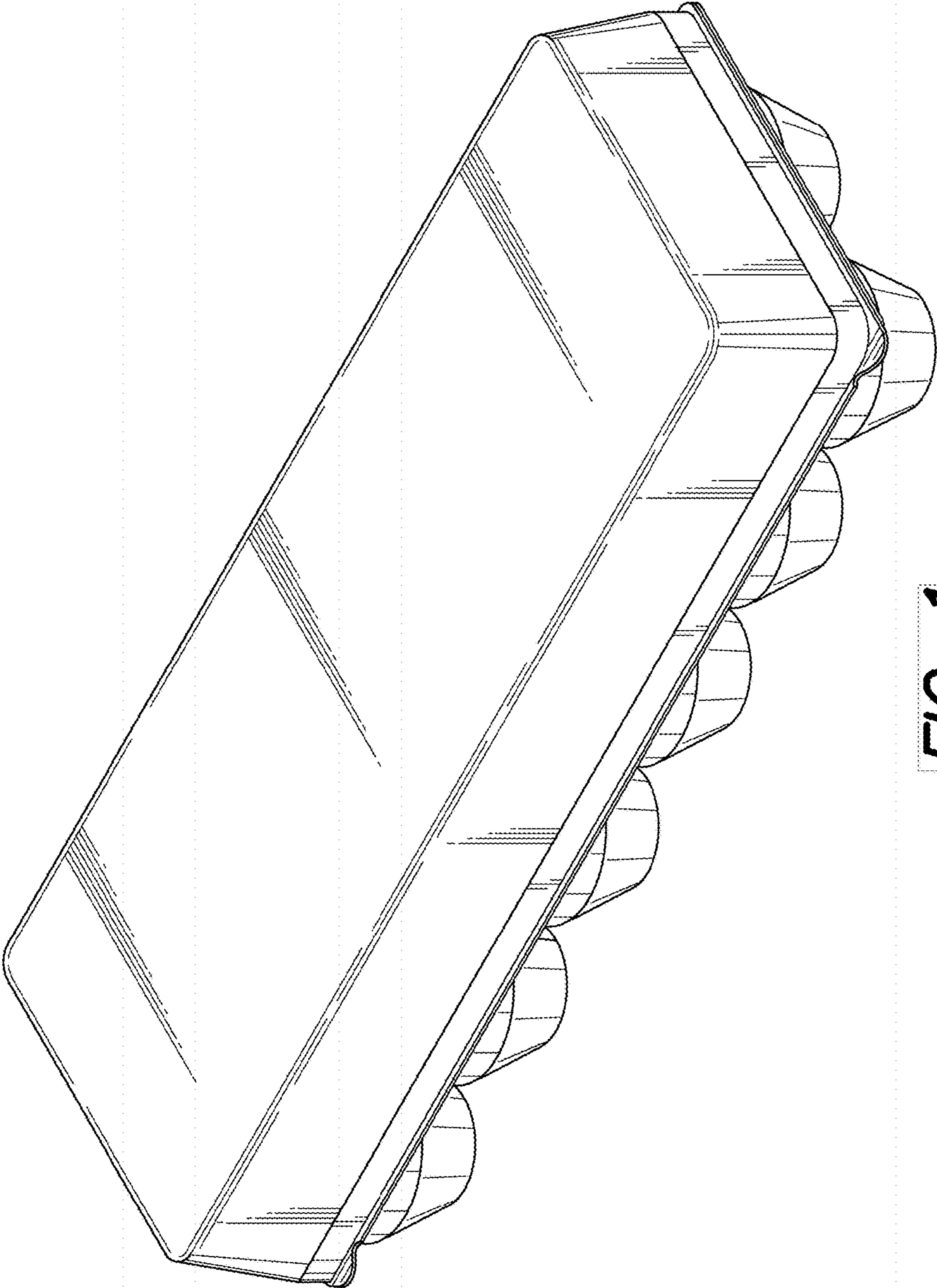


FIG. 1

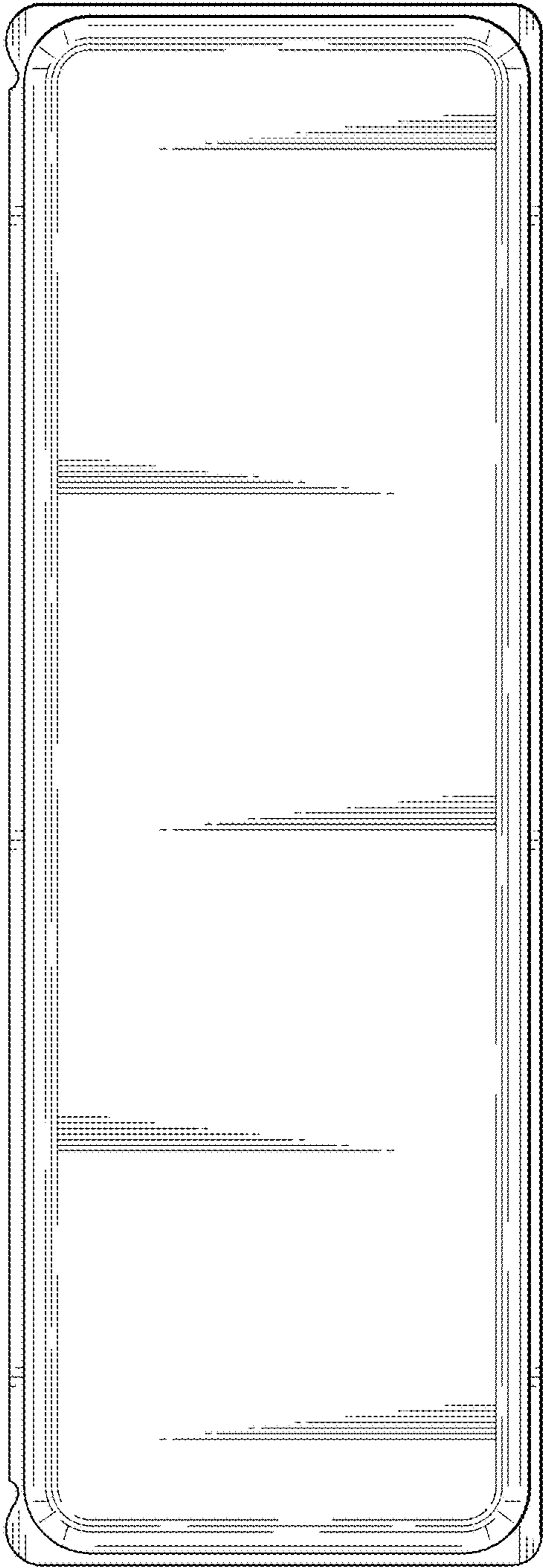


FIG. 2

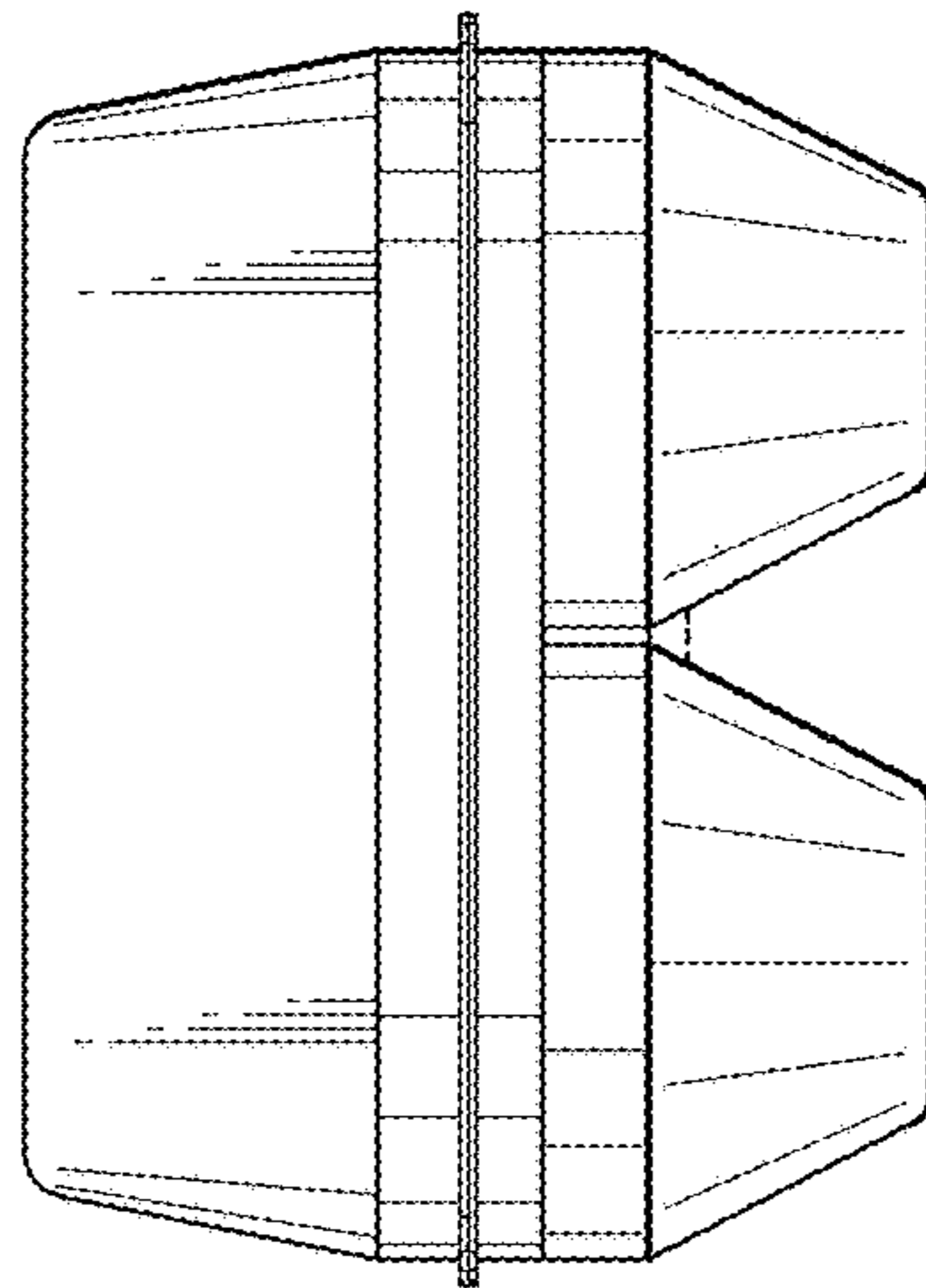


FIG. 3

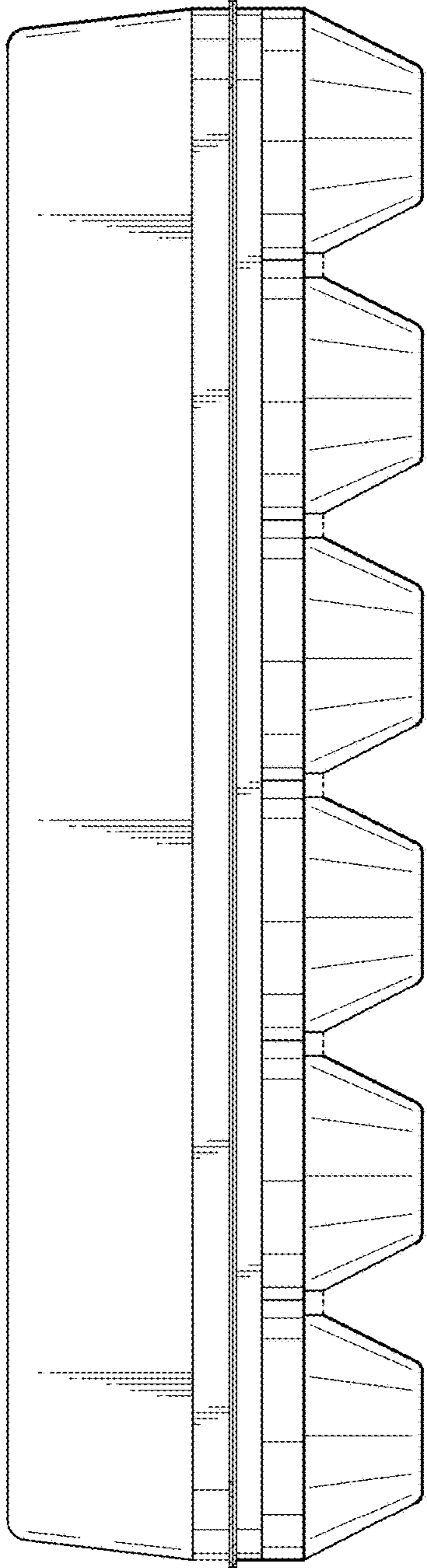


FIG. 4

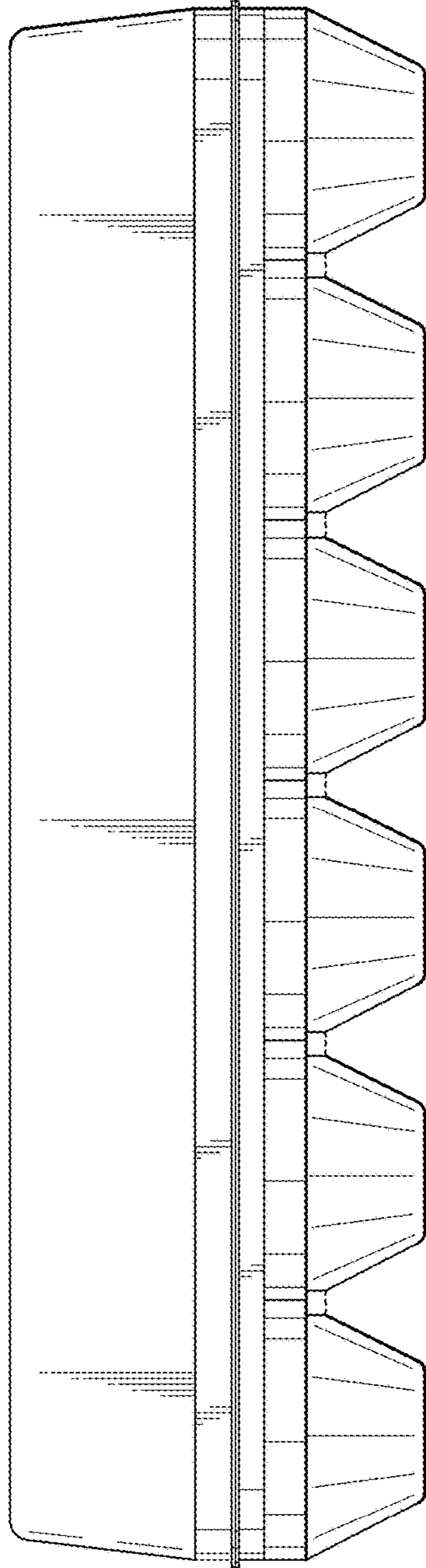


FIG. 5