



US00D871928S

(12) **United States Design Patent**  
**Mahon**

(10) **Patent No.:** **US D871,928 S**  
(45) **Date of Patent:** **\*\* Jan. 7, 2020**

(54) **SANDWICH CONTAINER**  
(71) Applicant: **Joseph Mahon**, Brea, CA (US)  
(72) Inventor: **Joseph Mahon**, Brea, CA (US)  
(\*\*) Term: **15 Years**  
(21) Appl. No.: **29/641,028**  
(22) Filed: **Mar. 19, 2018**  
(51) **LOC (12) Cl.** ..... **09-03**  
(52) **U.S. Cl.**  
USPC ..... **D9/761; D7/703**  
(58) **Field of Classification Search**  
USPC ..... D9/761, 420-422, 424, 425, 430-432,  
D9/737; D7/555, 553.1, 553.2, 553.3,  
D7/553.7, 701, 703, 602, 629, 601;  
220/23.83, 553, 833, 500, 555, 557, 659,  
220/904, 4.01, 4.21-4.27, 520, 521, 526,  
220/528, 529, 231, 503, 504, 507;  
206/561, 564, 541, 546, 549, 545, 542;  
229/404, 902, 906, 120.21, 120.32;  
426/120, 124, 109; 493/84, 128;  
219/729  
CPC ..... B65D 1/24; B65D 21/02; B65D 25/04;  
B65D 43/16; A45C 11/20; A61B  
2050/3008; H05B 6/80; Y10S 229/904;  
B23P 19/04; B31B 1/74; B31B 1/62;  
B31B 17/00  
See application file for complete search history.

(56) **References Cited**  
U.S. PATENT DOCUMENTS  
3,567,013 A 3/1971 Tannenbaum  
3,580,650 A \* 5/1971 Morris ..... H04B 1/086  
312/7.1  
3,933,296 A \* 1/1976 Ruskin ..... B65D 1/36  
229/406  
3,999,661 A \* 12/1976 Jones ..... B65D 81/027  
206/591  
4,951,866 A 8/1990 Rusnak

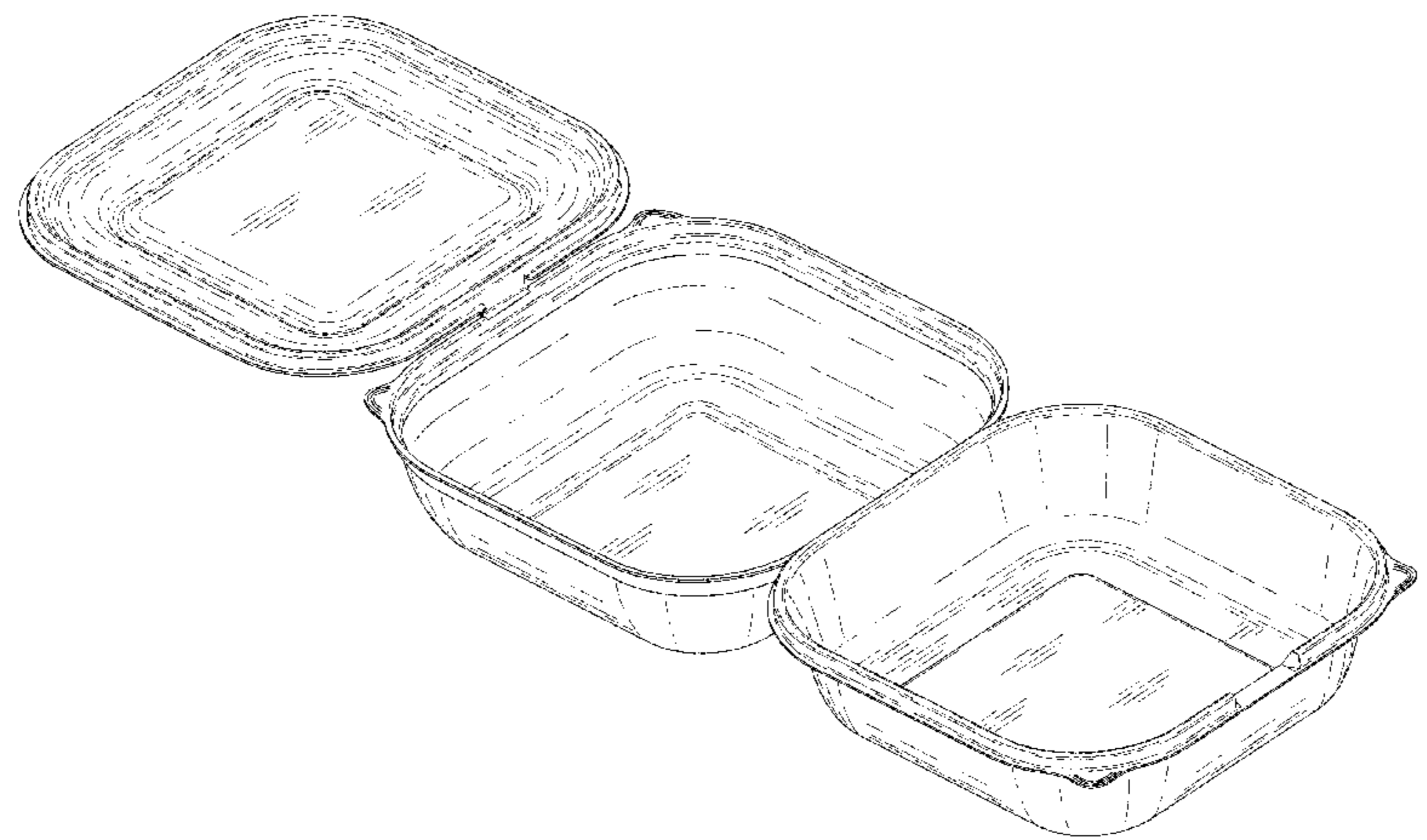
5,012,971 A 5/1991 Cozzi et al.  
5,277,329 A \* 1/1994 Pomroy ..... B65D 1/24  
206/541  
5,323,898 A \* 6/1994 Kester ..... B65D 25/10  
206/709  
5,857,583 A \* 1/1999 Chantaca ..... A47G 19/065  
206/564  
D405,363 S \* 2/1999 Herbruck ..... D9/762  
(Continued)

*Primary Examiner* — W. A. Teddy Falloway  
(74) *Attorney, Agent, or Firm* — Eric Karich; Karich & Associates

(57) **CLAIM**  
The ornamental design for a sandwich container, as shown and described.

**DESCRIPTION**  
FIG. 1 is a perspective view of a sandwich container in an open configuration, showing my new design;  
FIG. 2 is a perspective view of the sandwich container in a partially closed configuration;  
FIG. 3 is a perspective view of the sandwich container in a closed configuration;  
FIG. 4 is a front elevational view of the sandwich container of FIG. 1;  
FIG. 5 is a rear elevational view thereof;  
FIG. 6 is a left side elevational view thereof;  
FIG. 7 is a right side elevational view thereof;  
FIG. 8 is a top plan view thereof;  
FIG. 9 is a bottom plan view thereof;  
FIG. 10 is another perspective view of the sandwich container shown in FIG. 2;  
FIG. 11 is another top view of the sandwich container shown in FIG. 8; and,  
FIG. 12 is another perspective view of the sandwich container shown in FIG. 3.  
The broken lines depict portions of the article that form no part of the claimed design.

**1 Claim, 9 Drawing Sheets**



(56)

**References Cited**

U.S. PATENT DOCUMENTS

5,950,834	A *	9/1999	Woodnorth .....	A45C 11/20 206/541
6,540,078	B1 *	4/2003	Homent .....	B65D 43/162 206/438
D516,388	S *	3/2006	Wells .....	D7/629
7,968,132	B2	6/2011	Archie, Jr.	
D668,555	S	10/2012	Archie, Jr. et al.	
D679,198	S *	4/2013	O'Connor .....	D9/421
D694,617	S *	12/2013	Liu .....	D9/421
D708,941	S *	7/2014	Das .....	D9/425
9,038,817	B2 *	5/2015	Connolly .....	B65B 5/08 206/3
9,038,840	B2	5/2015	Umholtz	
D781,698	S *	3/2017	Koroukian .....	D9/420
D786,666	S *	5/2017	Bordieri .....	D9/421
D813,664	S *	3/2018	Magana .....	D9/425
D828,078	S *	9/2018	Mattei .....	D7/361
2009/0039076	A1 *	2/2009	Maslowski .....	A47J 36/027 219/729
2009/0042705	A1	2/2009	Maslowski et al.	
2009/0206090	A1 *	8/2009	Hanson .....	B65D 1/36 220/526
2011/0121002	A1	5/2011	Stiller	
2011/0215097	A1	9/2011	Archie, Jr. et al.	

\* cited by examiner

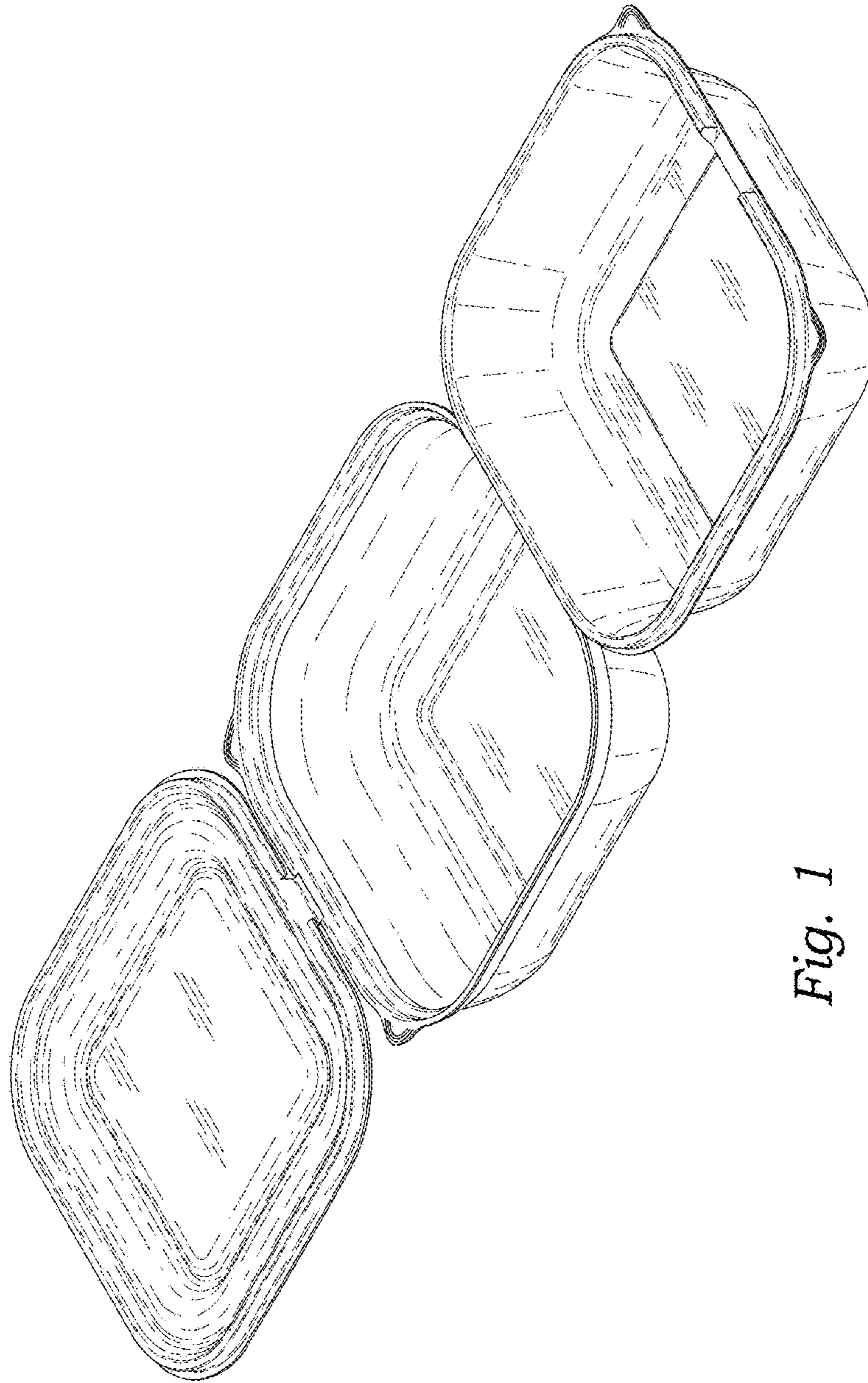
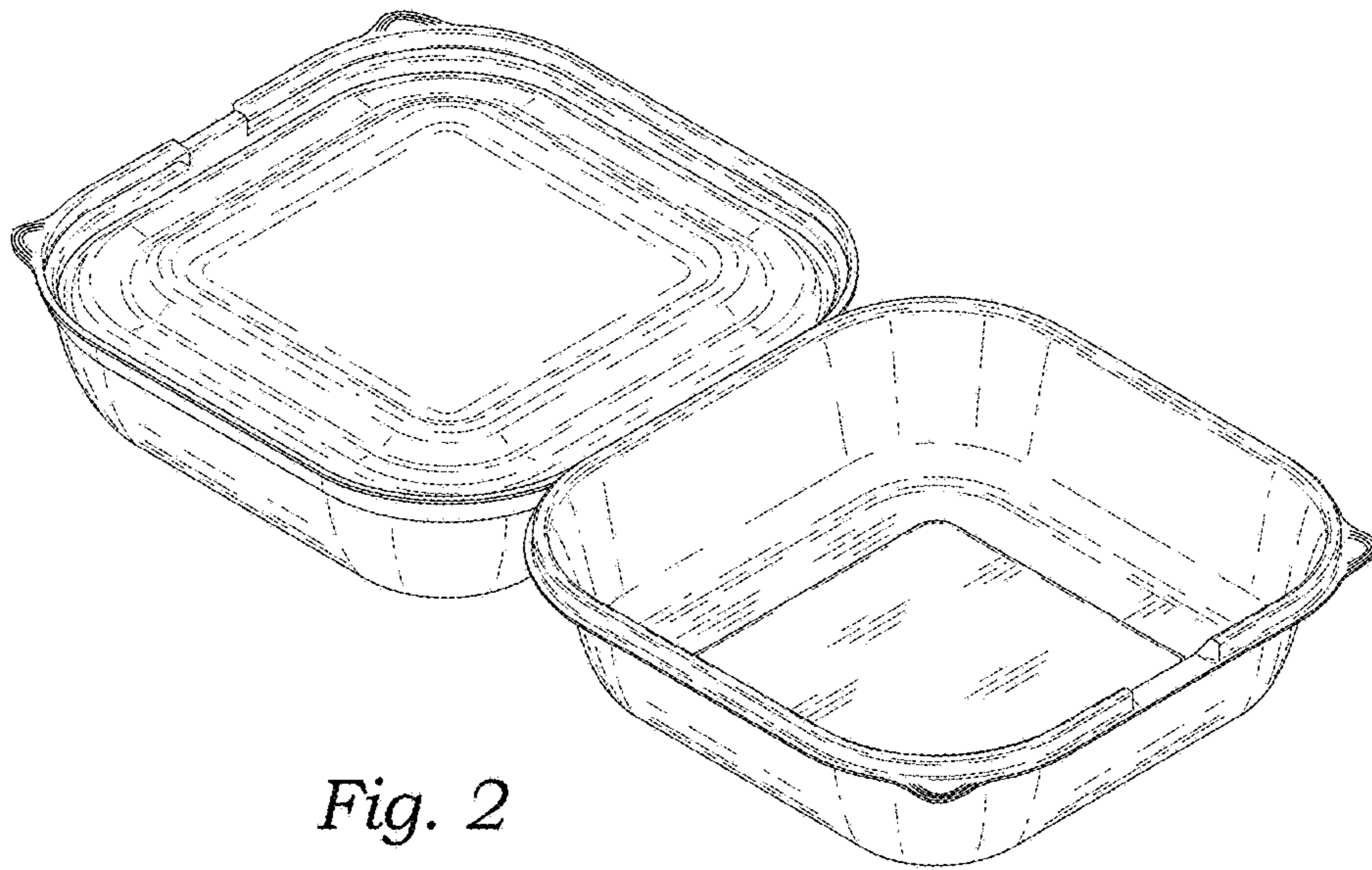
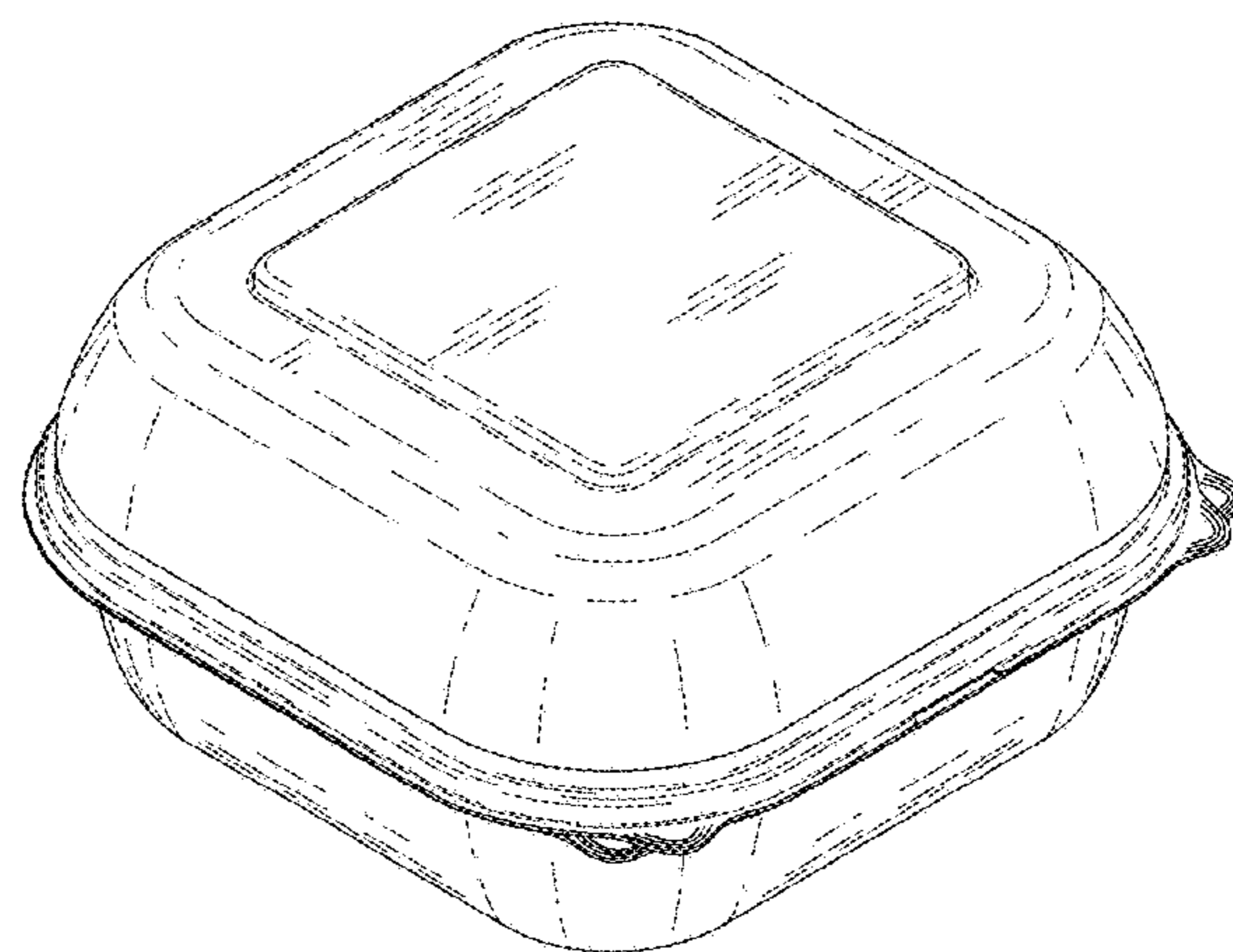


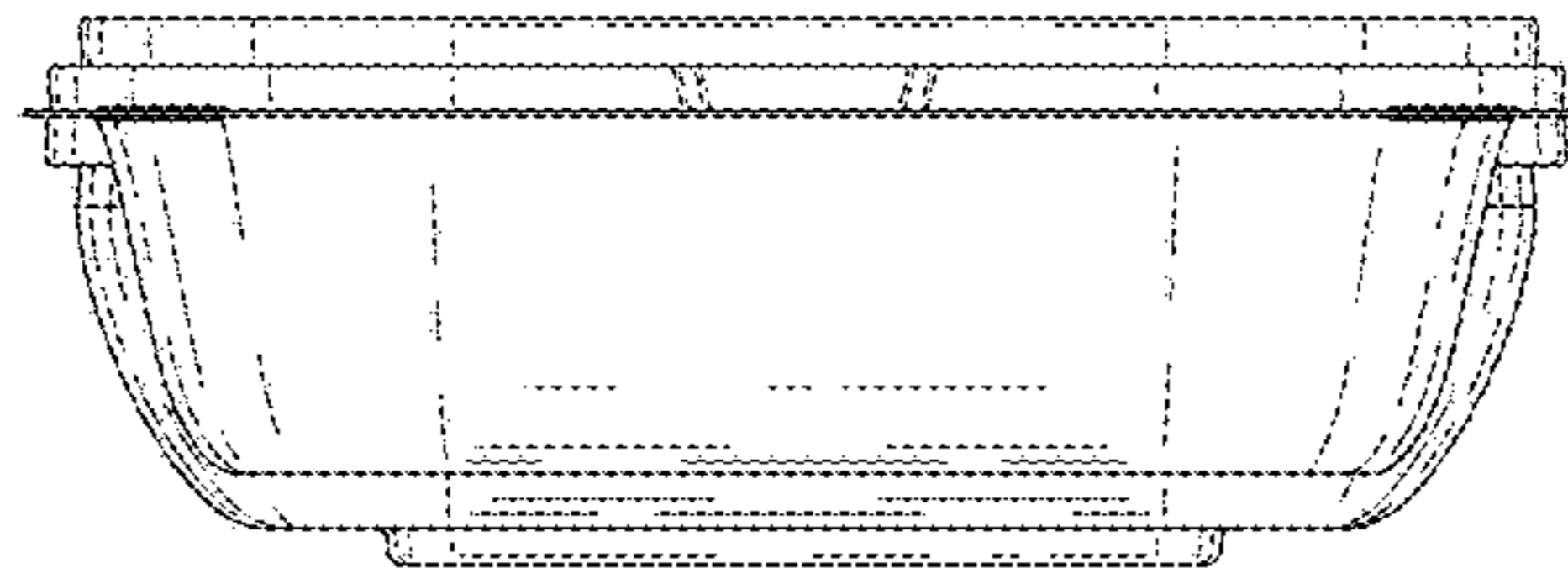
Fig. 1



*Fig. 2*



*Fig. 3*



*Fig. 4*



*Fig. 5*

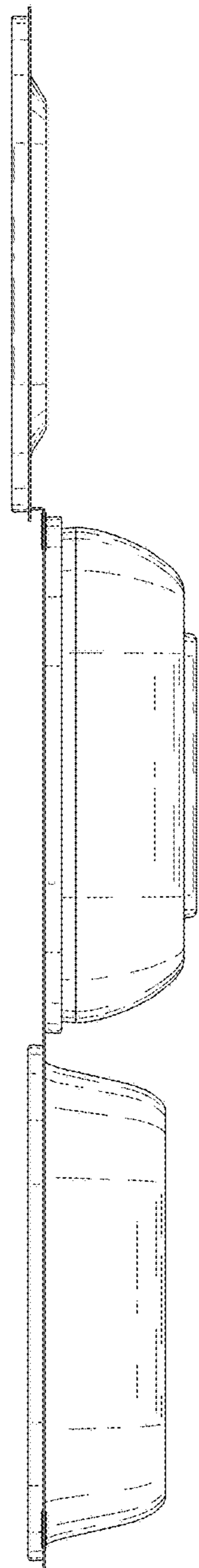


Fig. 6

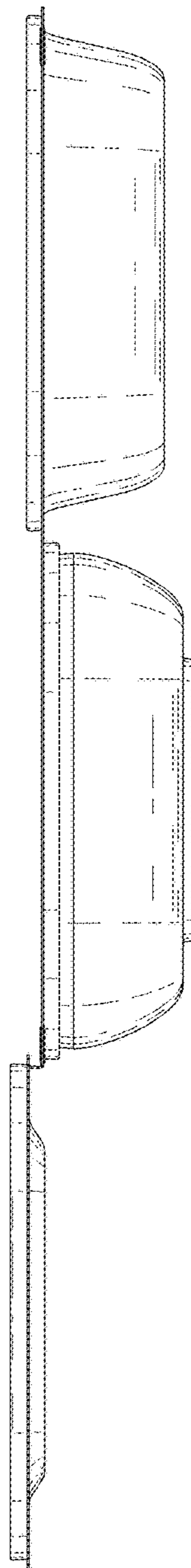
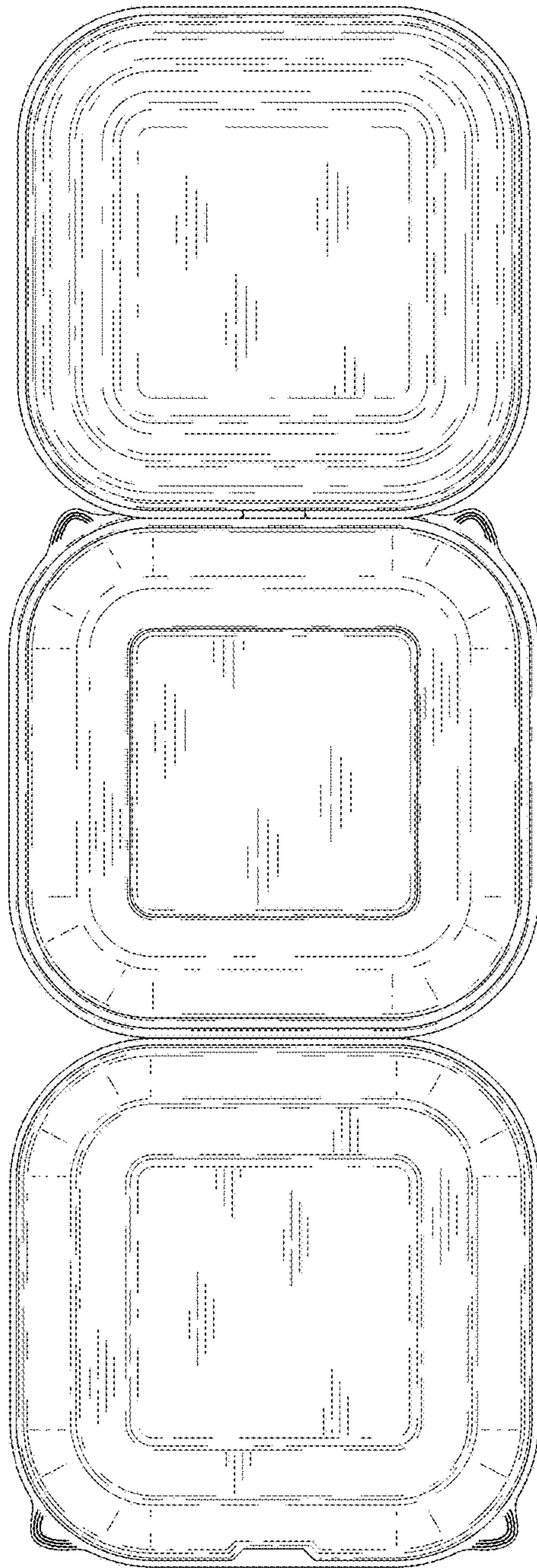
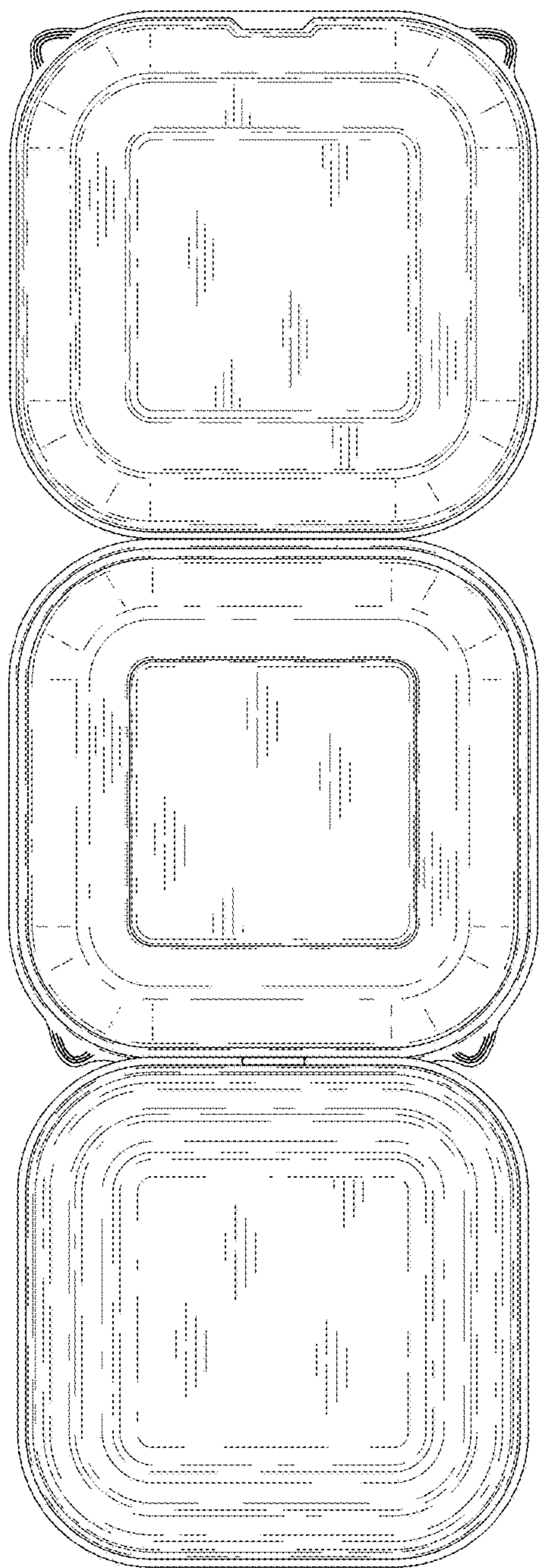


Fig. 7

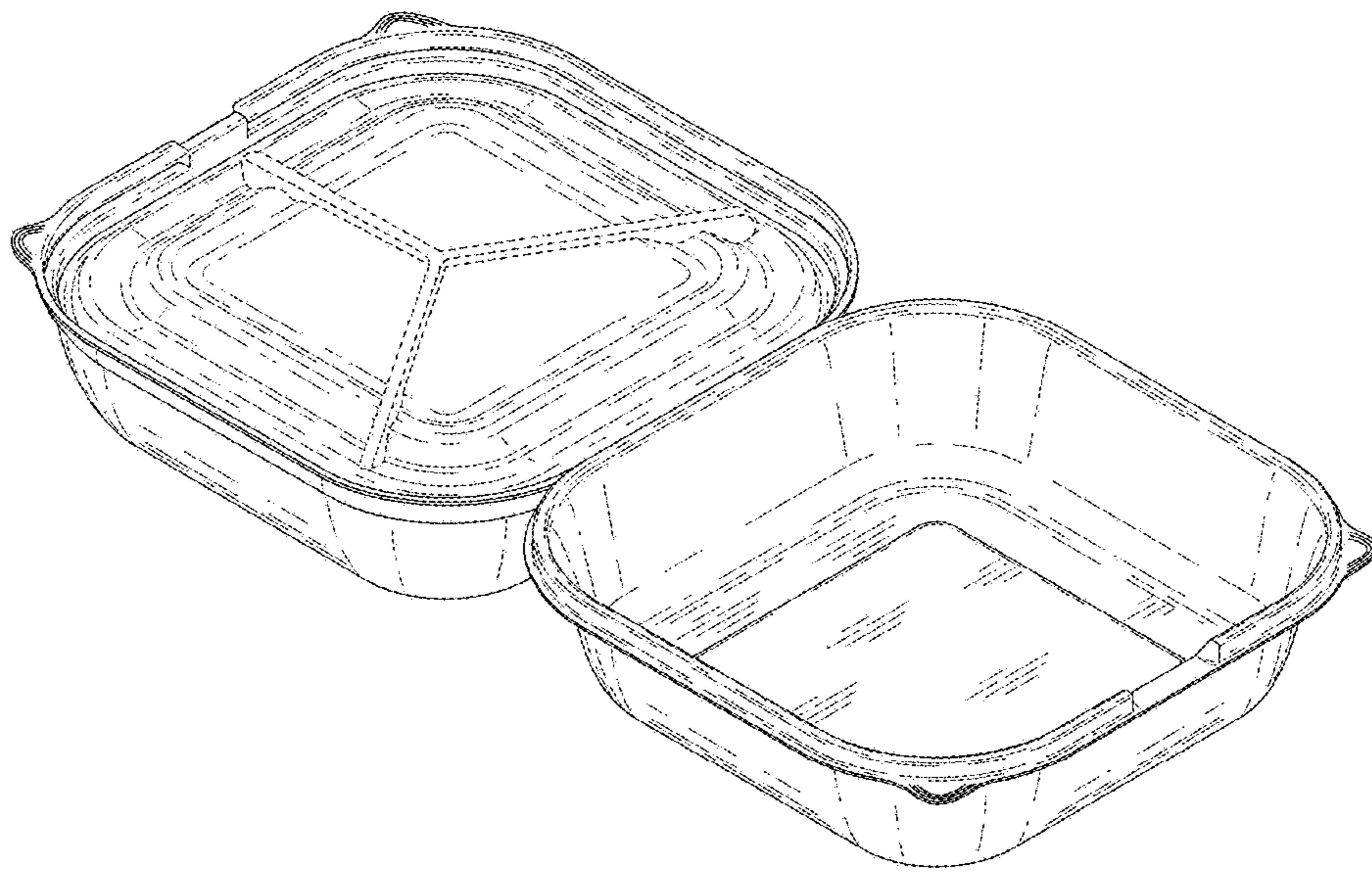


*Fig. 8*

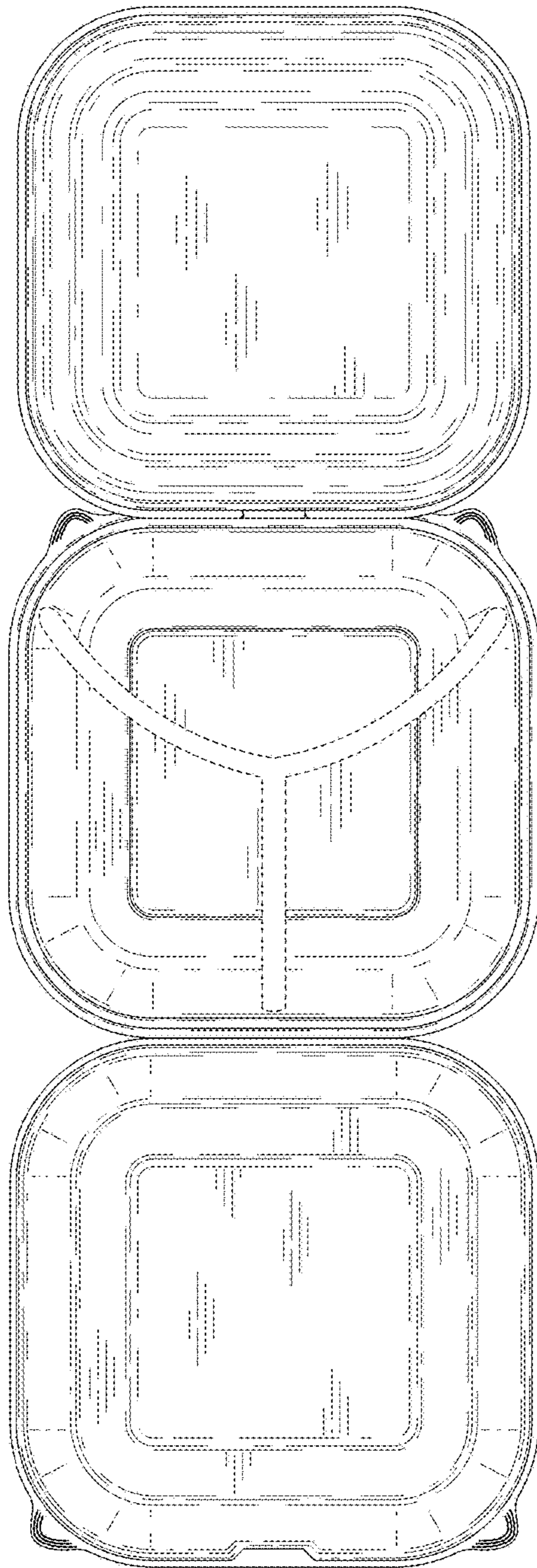


*Fig. 9*

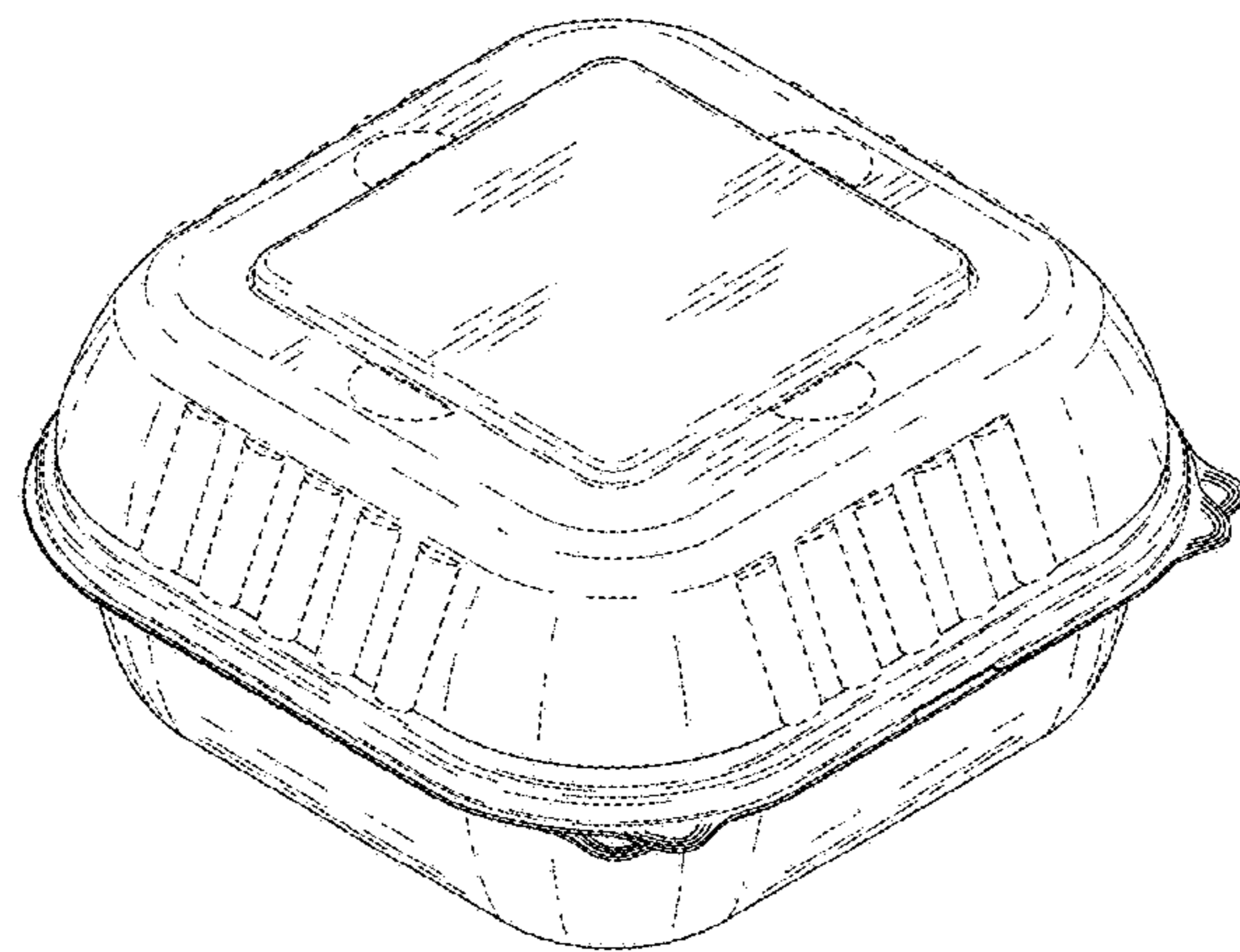




*Fig. 10*



*Fig. 11*



*Fig. 12*