



US00D871927S

(12) **United States Design Patent**  
**Mahon**

(10) **Patent No.:** **US D871,927 S**  
(45) **Date of Patent:** **\*\* Jan. 7, 2020**

- (54) **SANDWICH CONTAINER**
- (71) Applicant: **Joseph Mahon**, Brea, CA (US)
- (72) Inventor: **Joseph Mahon**, Brea, CA (US)
- (\*\*) Term: **15 Years**
- (21) Appl. No.: **29/640,278**
- (22) Filed: **Mar. 13, 2018**
- (51) **LOC (12) Cl.** ..... **09-03**
- (52) **U.S. Cl.**  
USPC ..... **D9/761; D7/703**
- (58) **Field of Classification Search**  
USPC ..... D9/761, 420-422, 424, 425, 430-432,  
D9/737; D7/555, 553.1, 553.2, 553.3,  
D7/553.7, 701, 703, 602, 629, 601;  
220/23.83, 553, 833, 500, 555, 557, 659,  
220/904, 4.01, 4.21-4.27, 520, 521, 526,  
220/528, 529, 231, 503, 504, 507;  
206/561, 564, 541, 546, 549, 545, 542;  
229/404, 902, 906, 120.21, 120.32;  
426/120, 124, 109; 493/84, 128;  
219/729  
CPC ..... B65D 1/24; B65D 21/02; B65D 25/04;  
B65D 43/16; A45C 11/20; A61B  
2050/3008; H05B 6/80; Y10S 229/904;  
B23P 19/04; B31B 1/74; B31B 1/62;  
B31B 17/00  
See application file for complete search history.

- 4,951,866 A 8/1990 Rusnak
- 5,012,971 A 5/1991 Cozzi et al.
- 5,277,329 A \* 1/1994 Pomroy ..... B65D 1/24  
206/541
- 5,323,898 A \* 6/1994 Kester ..... B65D 25/10  
206/709
- 5,323,926 A \* 6/1994 Pomroy ..... B65D 1/24  
206/541

(Continued)

*Primary Examiner* — W. A. Teddy Falloway  
(74) *Attorney, Agent, or Firm* — Eric Karich; Karich & Associates

(57) **CLAIM**

The ornamental design for a sandwich container, as shown and described.

**DESCRIPTION**

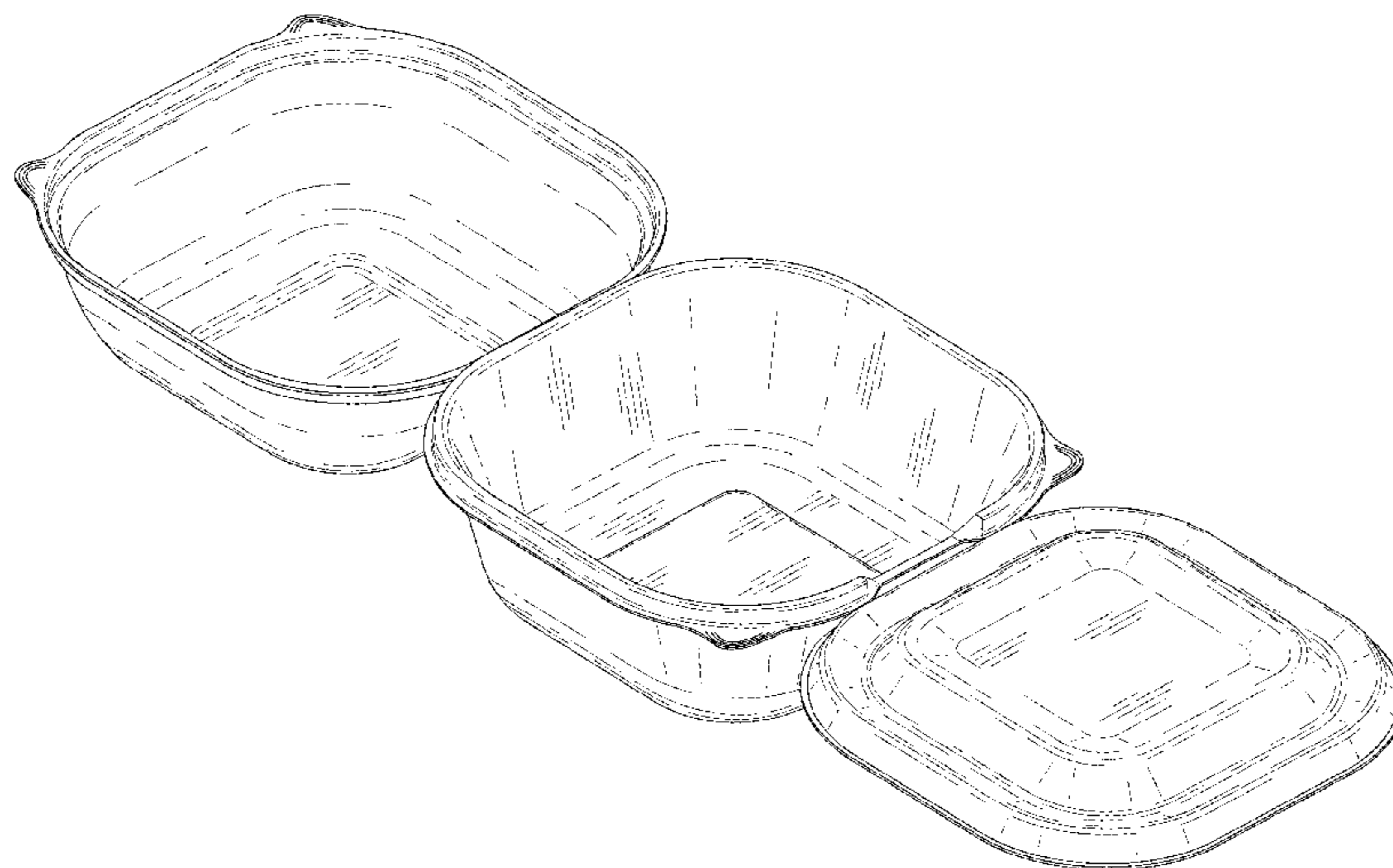
FIG. 1 is a perspective view of a sandwich container in an open configuration, showing my new design;  
 FIG. 2 is a perspective view of the sandwich container in a partially closed configuration;  
 FIG. 3 is a perspective view of the sandwich container in a closed configuration;  
 FIG. 4 is a front elevational view of the sandwich container of FIG. 1;  
 FIG. 5 is a rear elevational view thereof;  
 FIG. 6 is a left side elevational view thereof;  
 FIG. 7 is a right side elevational view thereof;  
 FIG. 8 is a top plan view thereof;  
 FIG. 9 is a bottom plan view thereof;  
 FIG. 10 is another perspective view of the sandwich container shown in FIG. 2;  
 FIG. 11 is another top view of the sandwich container shown in FIG. 8; and,  
 FIG. 12 is another perspective view of the sandwich container shown in FIG. 3.  
 The broken lines depict portions of the article that form no part of the claimed design.

**1 Claim, 9 Drawing Sheets**

(56) **References Cited**

**U.S. PATENT DOCUMENTS**

- 3,567,013 A 3/1971 Tannenbaum
- 3,580,650 A \* 5/1971 Morris ..... H04B 1/086  
312/7.1
- 3,933,296 A \* 1/1976 Ruskin ..... B65D 1/36  
229/406
- 3,999,661 A \* 12/1976 Jones ..... B65D 81/027  
206/591



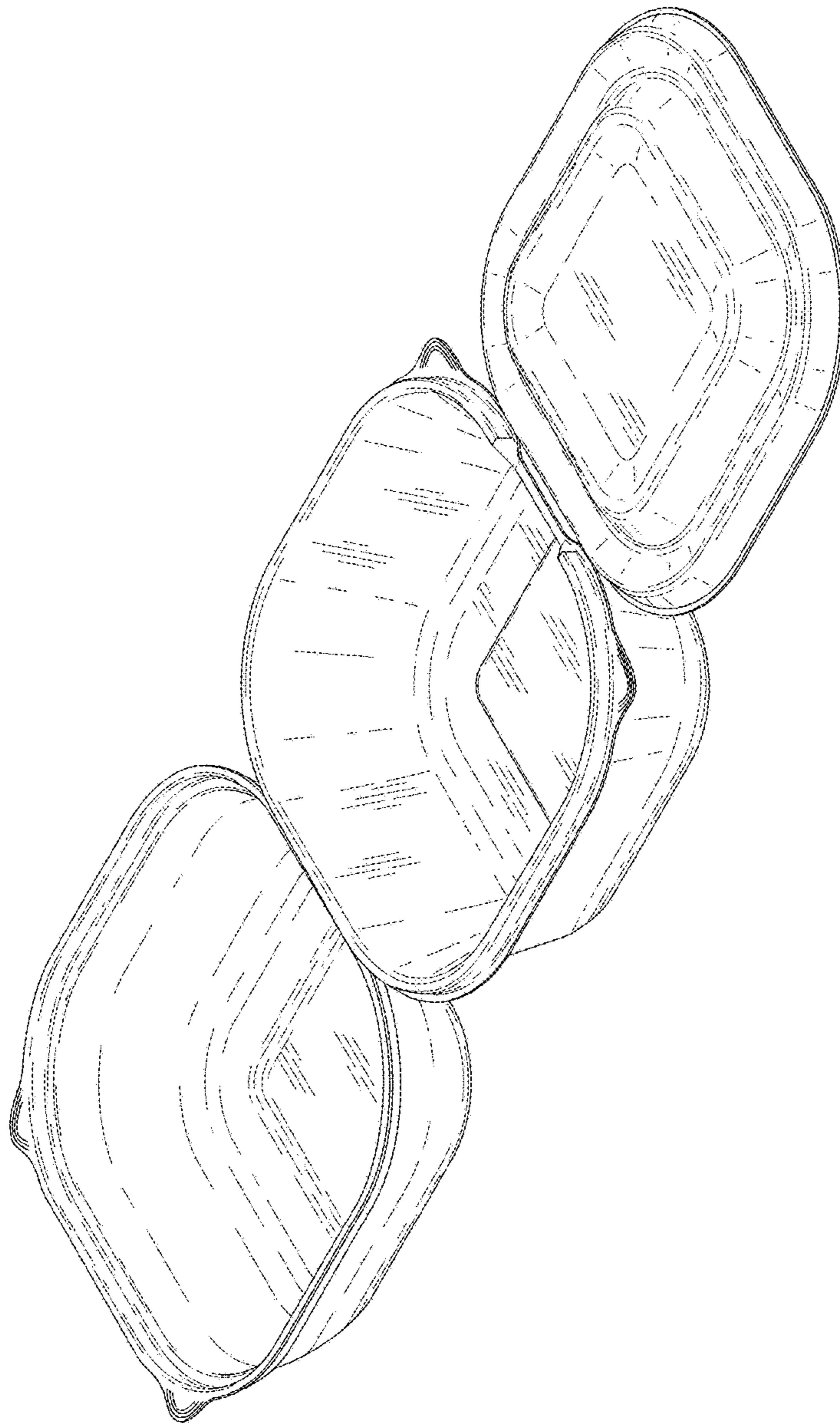
(56)

**References Cited**

U.S. PATENT DOCUMENTS

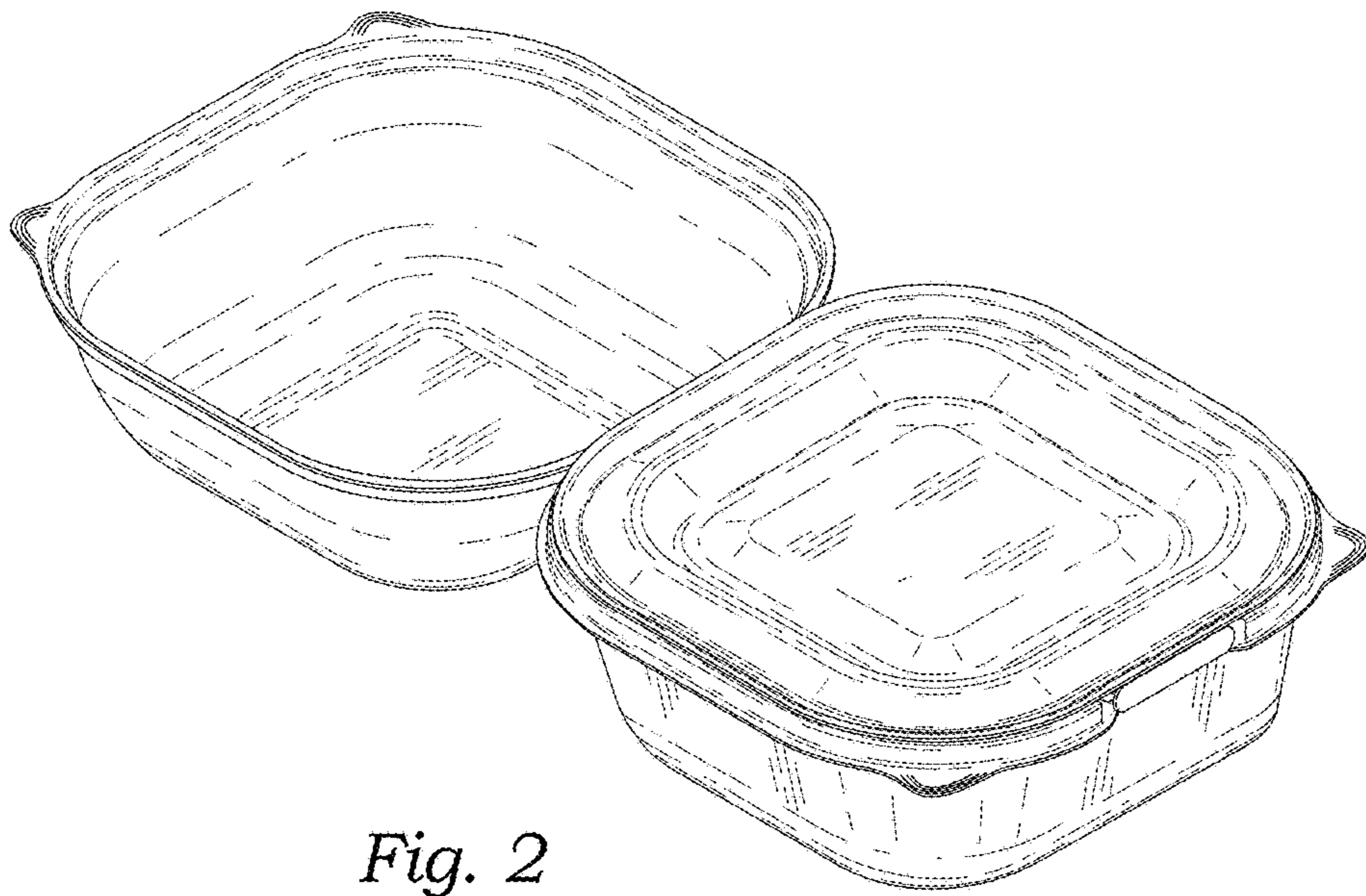
5,857,583 A \* 1/1999 Chantaca ..... A47G 19/065  
206/564  
D405,363 S \* 2/1999 Herbruck ..... D9/762  
5,950,834 A \* 9/1999 Woodnorth ..... A45C 11/20  
206/541  
6,540,078 B1 \* 4/2003 Homent ..... B65D 43/162  
206/438  
D516,388 S \* 3/2006 Wells ..... D7/629  
7,900,793 B2 \* 3/2011 Hanson ..... B65D 1/36  
220/366.1  
7,968,132 B2 6/2011 Archie, Jr.  
D668,555 S 10/2012 Archie, Jr. et al.  
D679,198 S \* 4/2013 O'Connor ..... D9/421  
D694,617 S \* 12/2013 Liu ..... D9/421  
D708,941 S \* 7/2014 Das ..... D9/425  
9,038,817 B2 \* 5/2015 Connolly ..... B65B 5/08  
206/3  
9,038,840 B2 5/2015 Umholtz  
D781,698 S \* 3/2017 Koroukian ..... D9/420  
D786,666 S \* 5/2017 Bordieri ..... D9/421  
D813,664 S \* 3/2018 Magana ..... D9/425  
D828,078 S \* 9/2018 Mattei ..... D7/361  
2009/0039076 A1 \* 2/2009 Maslowski ..... A47J 36/027  
219/729  
2009/0042705 A1 2/2009 Maslowski et al.  
2009/0206090 A1 \* 8/2009 Hanson ..... B65D 1/36  
220/526  
2011/0121002 A1 5/2011 Stiller  
2011/0215097 A1 9/2011 Archie, Jr. et al.

\* cited by examiner

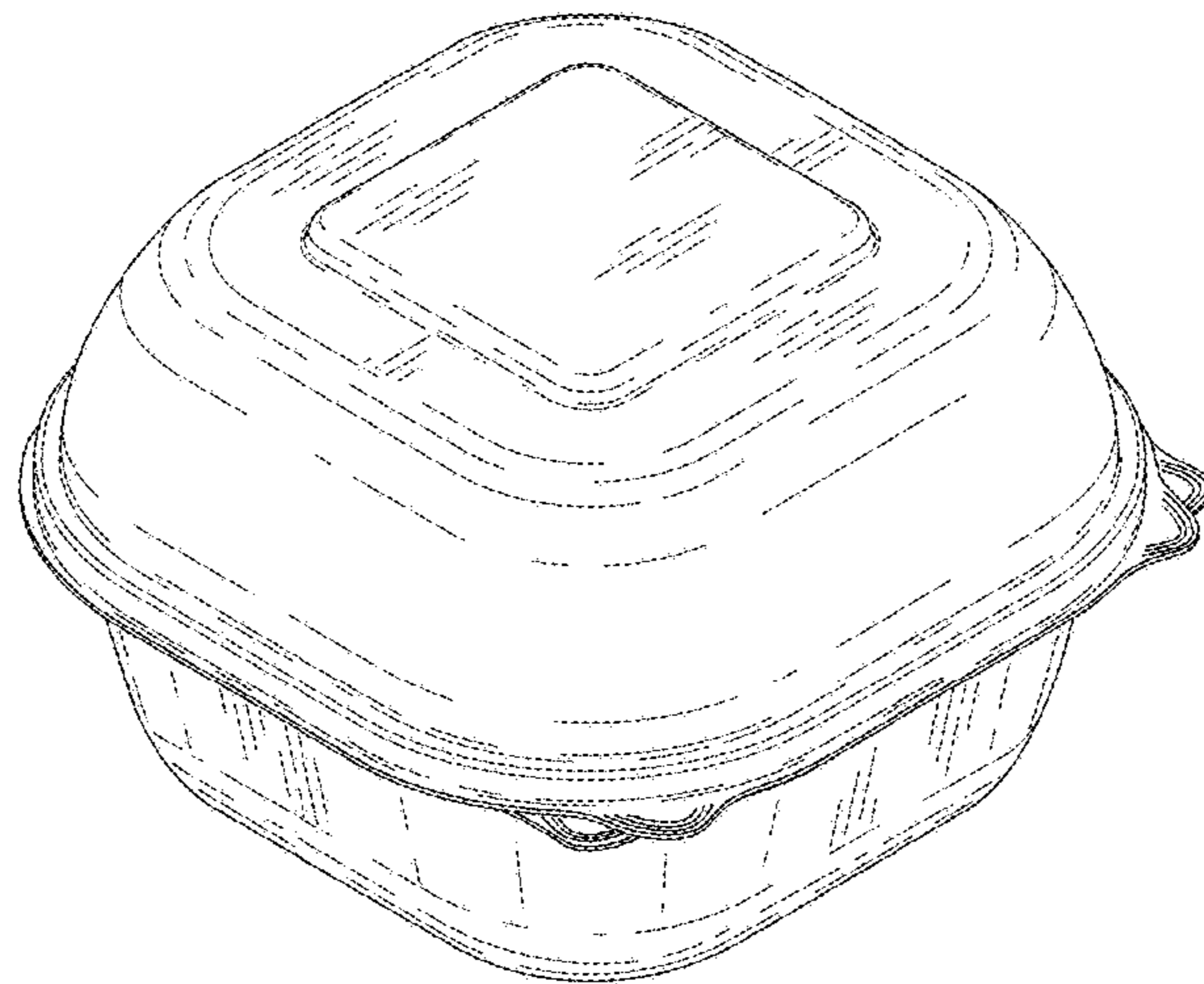


*Fig. 1*

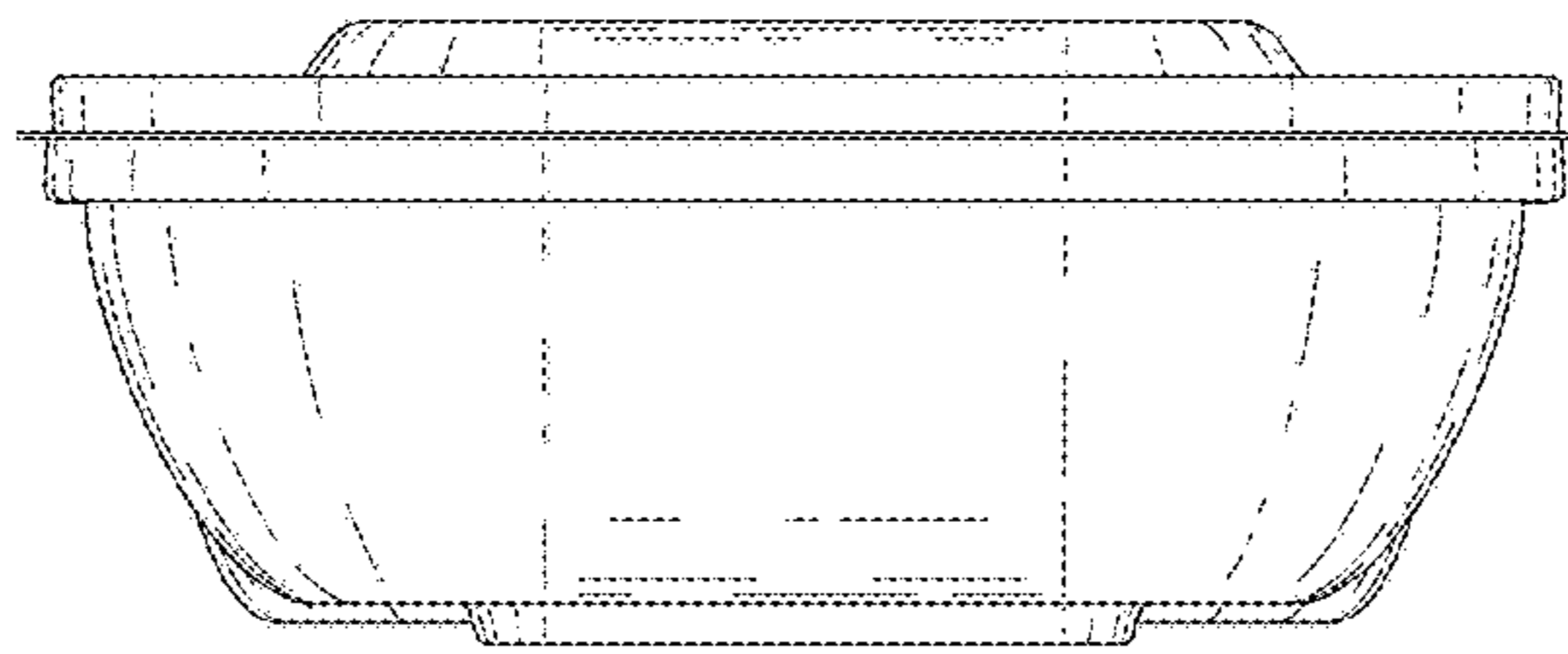




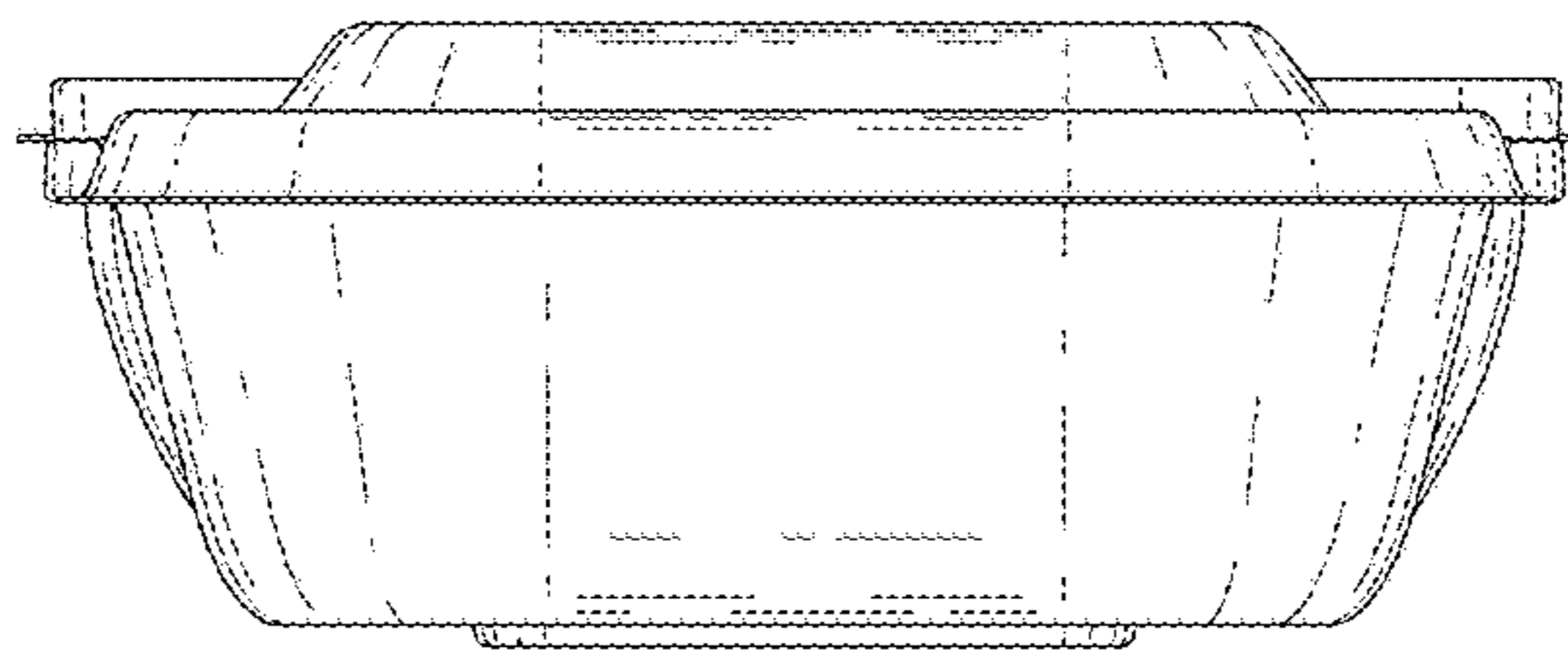
*Fig. 2*



*Fig. 3*



*Fig. 4*



*Fig. 5*

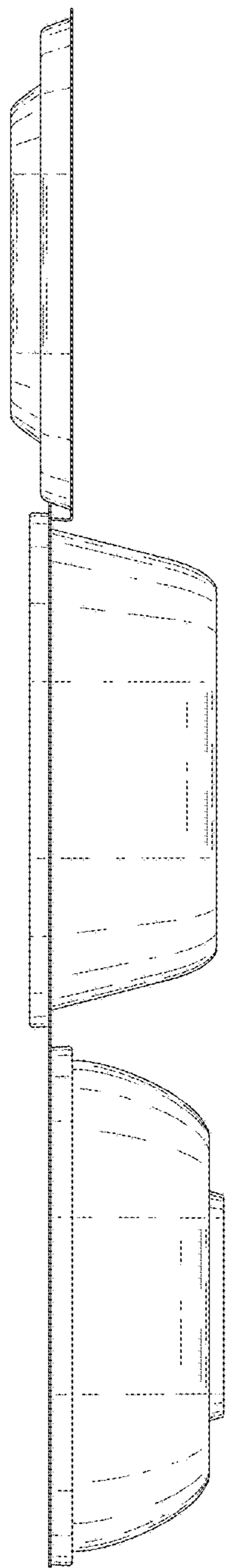


Fig. 6

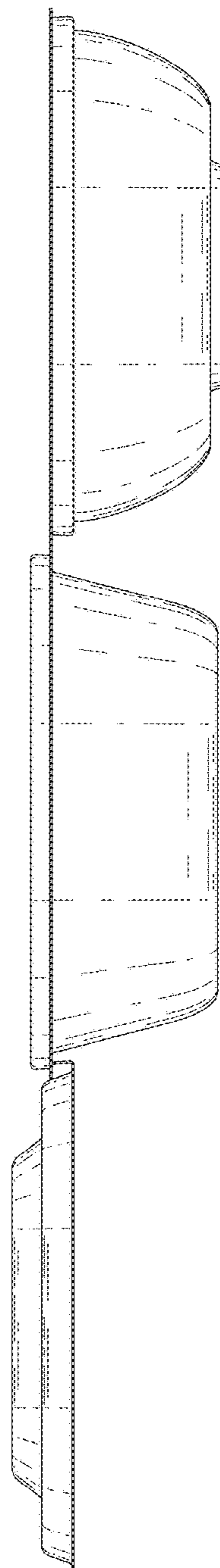
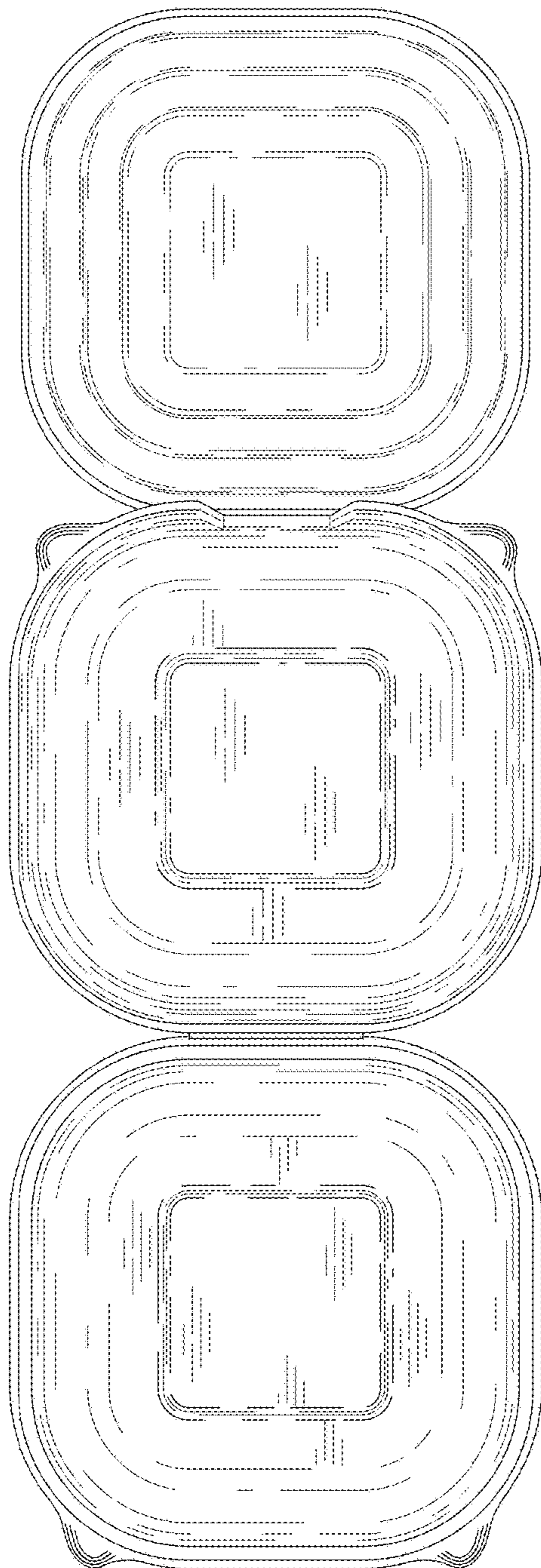
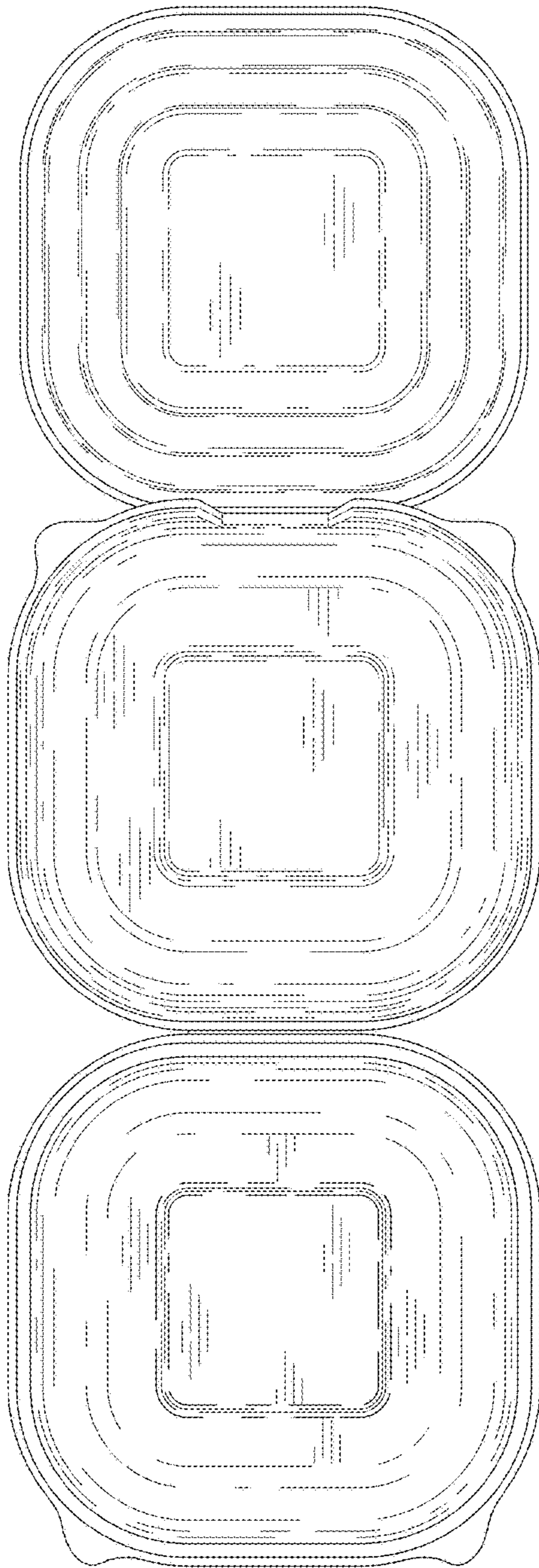


Fig. 7

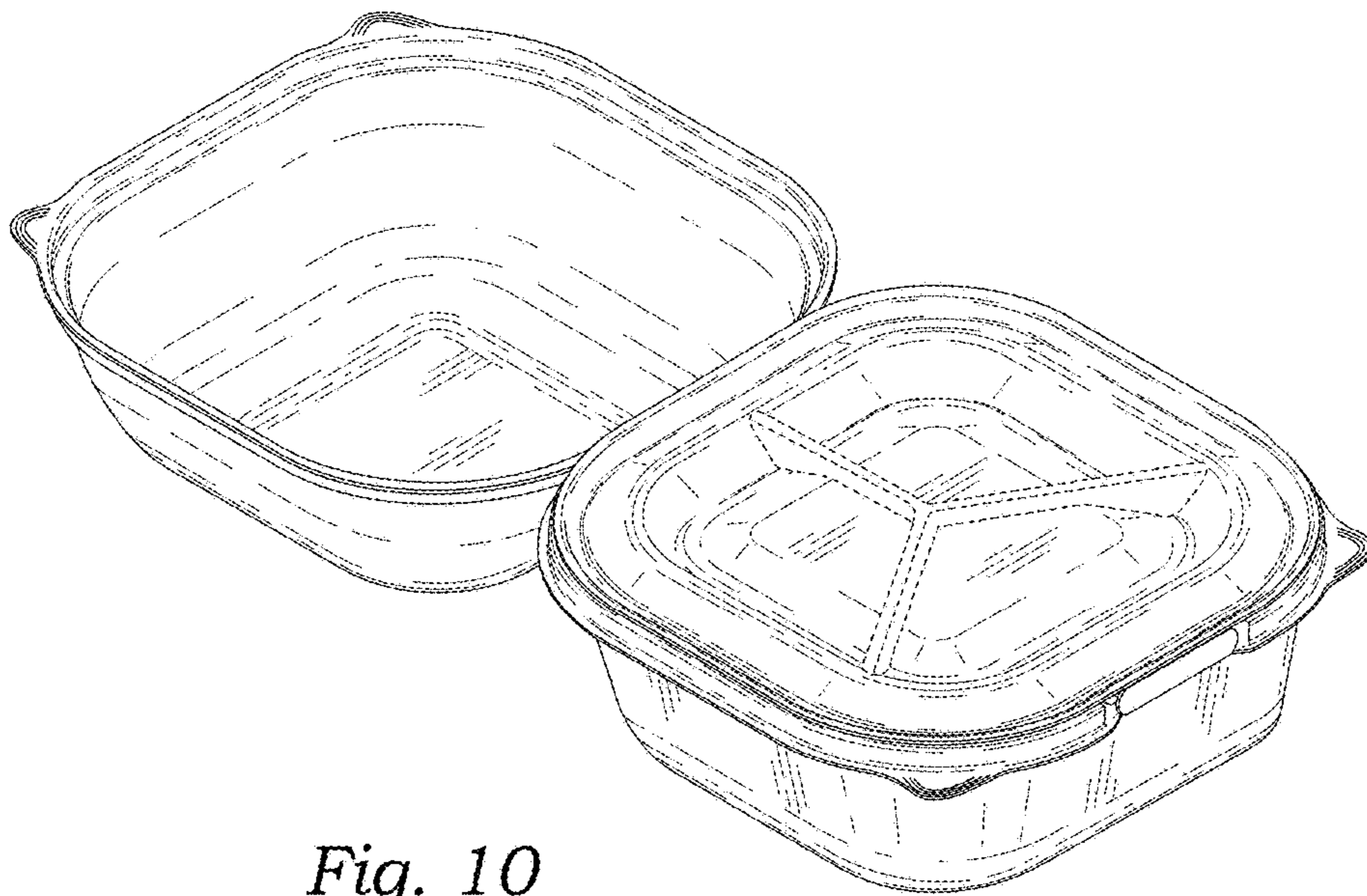


*Fig. 8*

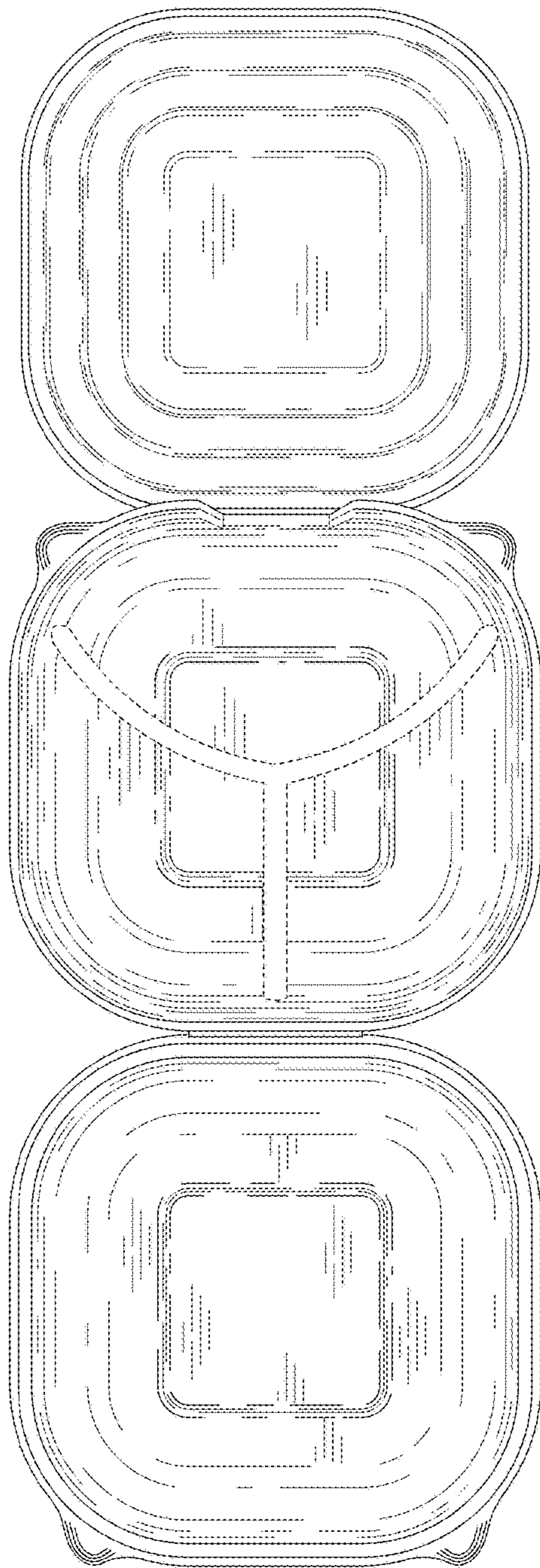


*Fig. 9*

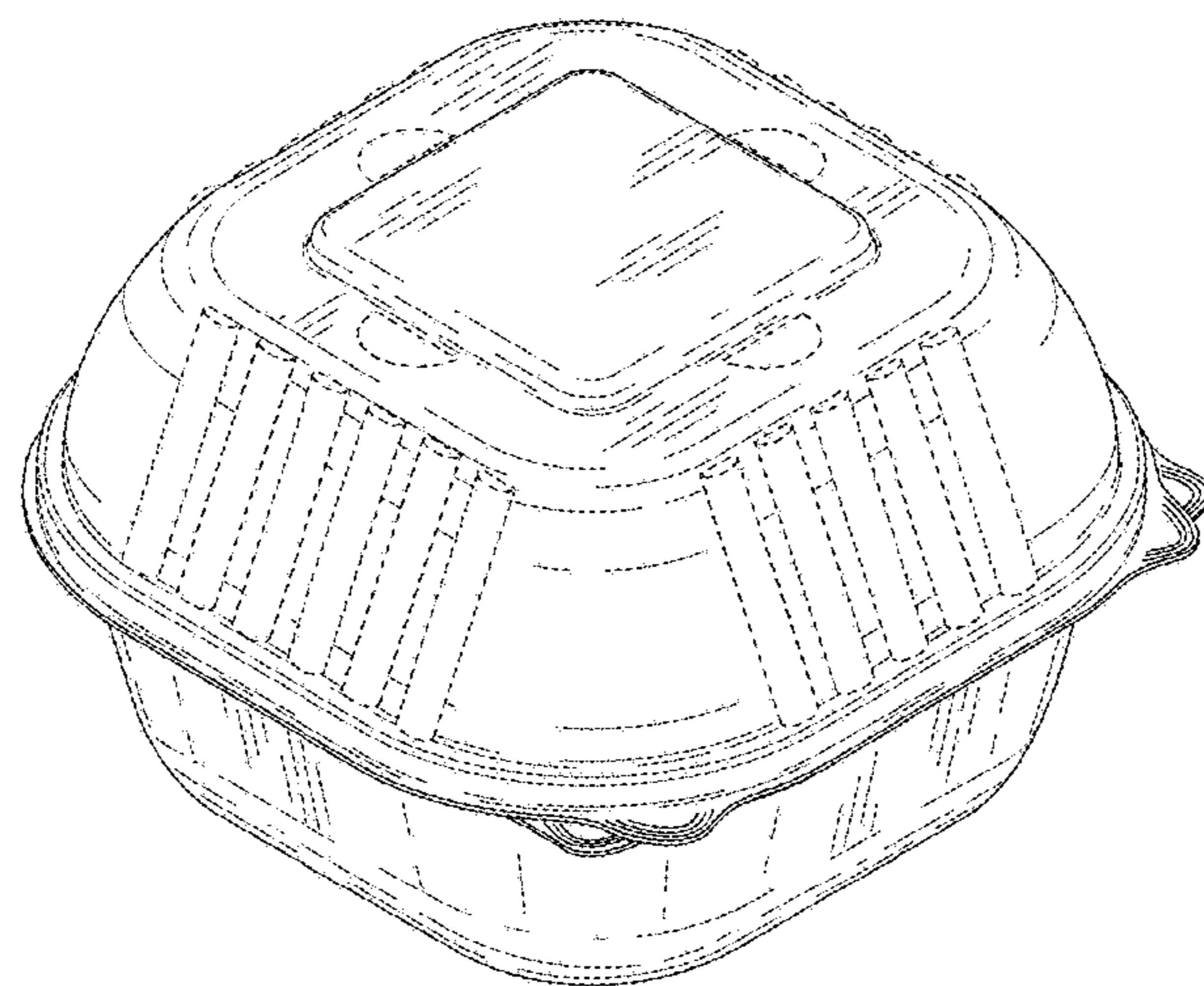




*Fig. 10*



*Fig. 11*



*Fig. 12*