



US00D871925S

(12) **United States Design Patent**  
**Zhang et al.**

(10) **Patent No.:** **US D871,925 S**  
(45) **Date of Patent:** **\*\* Jan. 7, 2020**

(54) **DOUBLE COMPARTMENT SMOOTH-WALL FOIL CONTAINER**

(71) Applicant: **Qingdao Wohler Household Products Co., Ltd.**, Qingdao (CN)

(72) Inventors: **Bin Zhang**, Qingdao (CN); **Miaomiao Dong**, Qingdao (CN)

(73) Assignee: **QINGDAO WOHLER HOUSEHOLD PRODUCTS CO., LTD.**, Qingdao (CN)

(\*\*) Term: **15 Years**

(21) Appl. No.: **29/674,407**

(22) Filed: **Dec. 21, 2018**

(51) **LOC (12) Cl.** ..... **09-03**

(52) **U.S. Cl.**  
USPC ..... **D9/756**

(58) **Field of Classification Search**  
USPC ..... D9/756, 737, 424, 425, 426, 428-432, D9/748, 749, 759-761, 601, 586, 701, D9/703, 708; D7/550.1, 554.3, 587, D7/554.4, 602, 553.1-553.8, 555; D3/20, D3/203.3, 294, 295, 313-315, 901, 304; D24/105, 176-180, 229, 230; 220/4.21-4.27, 500, 555, 556, 575, 507, 220/523, 524, DIG. 10, DIG. 20; 229/406, 120.03, 407, 904, 908; 433/77; D30/130; 119/61.5  
CPC ..... B65B 31/028; B65D 1/30; B65D 1/34; B65D 2581/055; B65D 81/34; B65D 1/36; B65D 81/3453; B65D 85/36; B65D 21/02; B65D 21/0206; B65D 71/40; B65D 71/50; B65D 43/162; B65D 1/00; B65D 43/021; B65D 2543/00194; B65D 2543/00296; B65D 2543/00509; B65D 2543/00101; B65D 2543/00537; B65D 2543/00555; B65D 2577/2066; B65D

2101/0015; B65D 2571/00277; A61C 17/005; A61C 19/006; A01K 1/10

See application file for complete search history.

(56) **References Cited**

U.S. PATENT DOCUMENTS

2,554,086	A *	5/1951	Block .....	A01K 5/0135
				119/51.5
D204,147	S *	3/1966	Ward, Jr. ....	D7/541
D224,662	S *	8/1972	Swett et al. ....	D7/546
D278,128	S *	3/1985	VanDine .....	D7/708
D301,192	S *	5/1989	DeCoster .....	D7/555
D338,746	S *	8/1993	Clark .....	D30/122
D484,364	S *	12/2003	Bailey .....	D7/357
D529,821	S *	10/2006	Wilcox .....	D9/761
D569,193	S *	5/2008	El Ghouyel .....	D7/602

(Continued)

OTHER PUBLICATIONS

Soken meal tray packaging, available Oct. 11, 2019, [online], [site visited Oct. 11, 2019]. Available from internet, URL: <https://www.sokenengineering.com/products/page/2/> (Year: 2019).\*

*Primary Examiner* — W. A. Teddy Falloway  
(74) *Attorney, Agent, or Firm* — Gokalp Bayramoglu

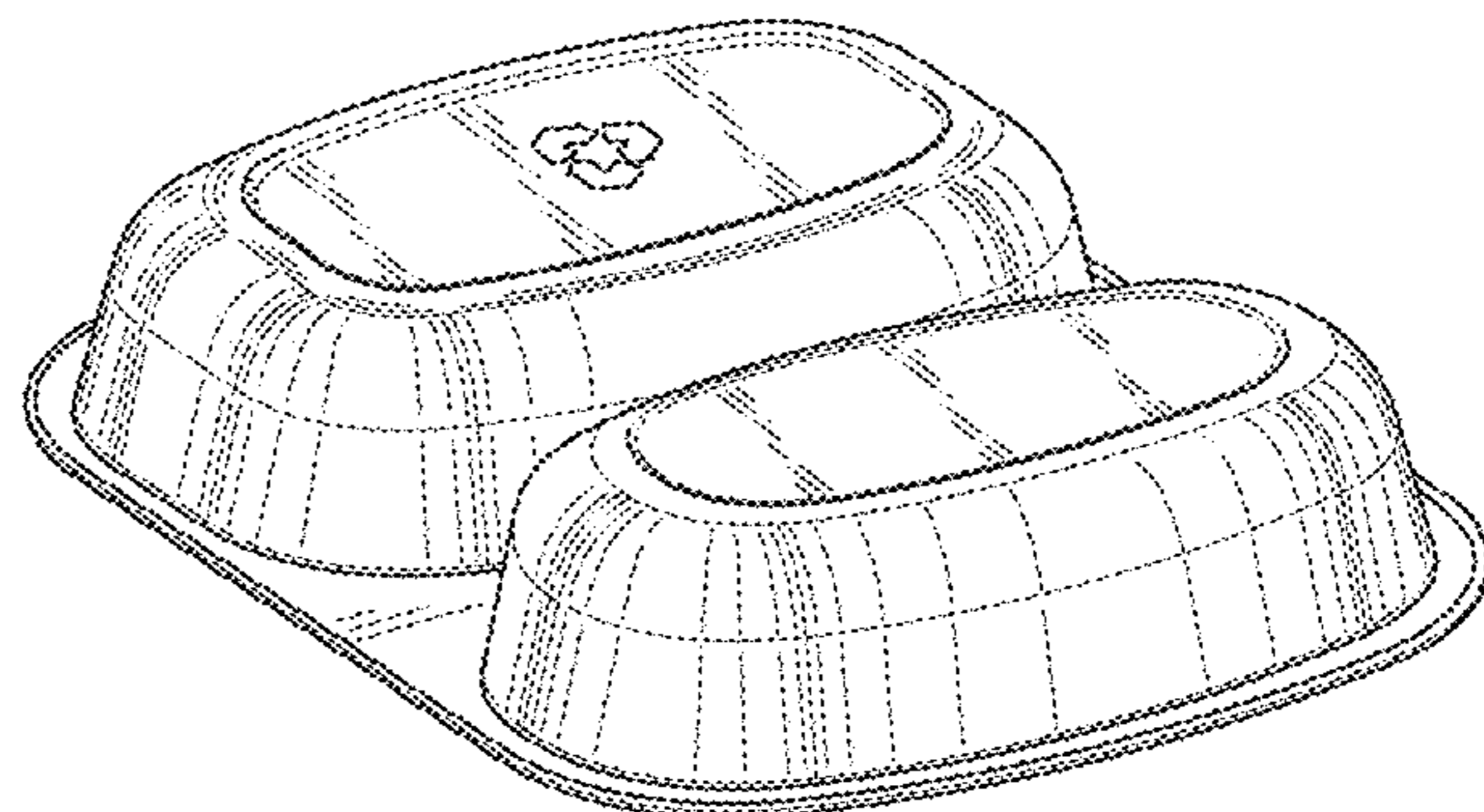
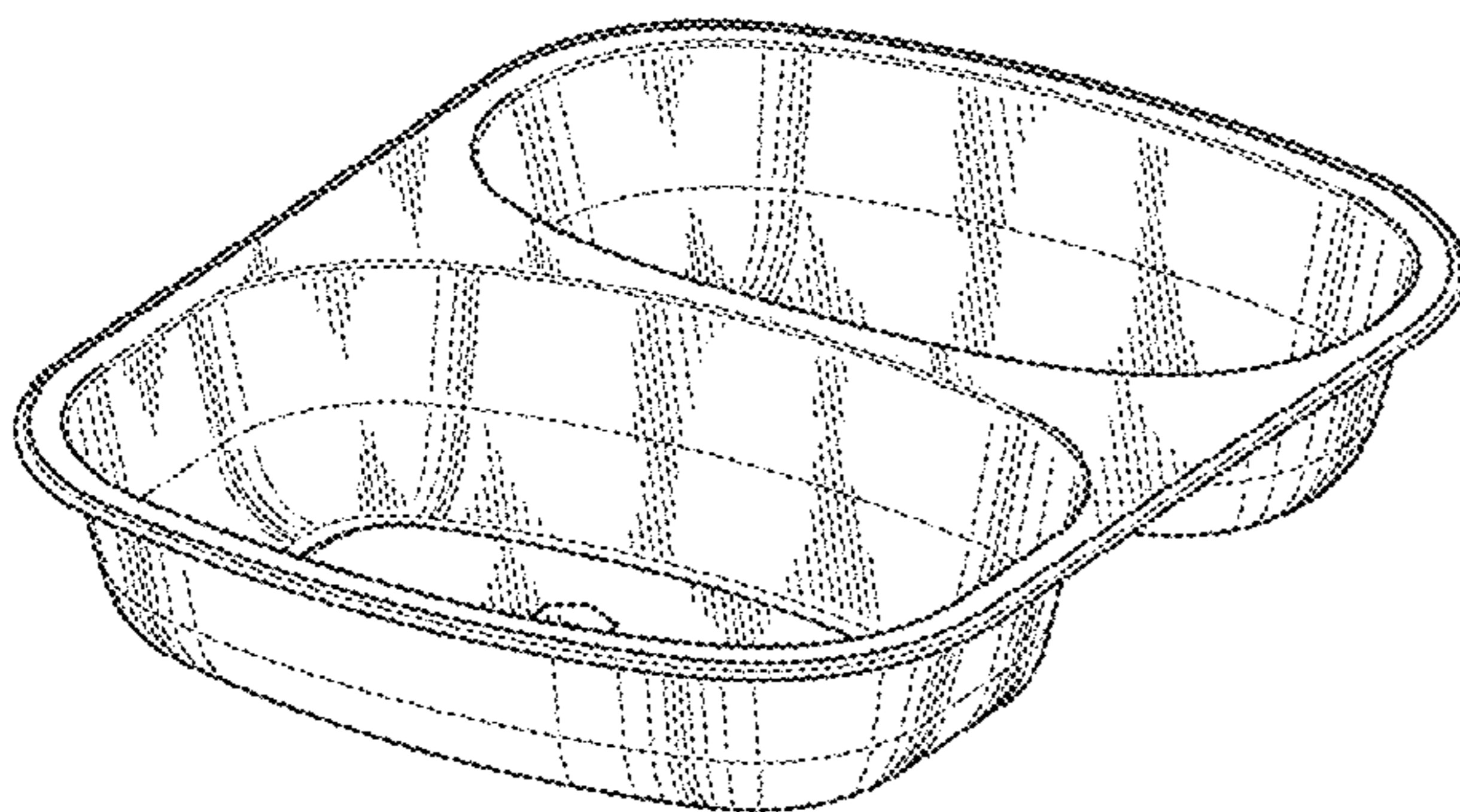
(57) **CLAIM**

The ornamental design for a double compartment smooth-wall foil container, as shown and described.

**DESCRIPTION**

FIG. 1 is a top perspective view of a double compartment smooth-wall foil container showing the new design;  
FIG. 2 is a top view thereof;  
FIG. 3 is a bottom view thereof;  
FIG. 4 is a front view thereof;  
FIG. 5 is a rear view thereof;  
FIG. 6 is a left side view thereof;  
FIG. 7 is a right side view thereof; and,  
FIG. 8 is a bottom perspective view thereof.

**1 Claim, 8 Drawing Sheets**



(56)

**References Cited**

U.S. PATENT DOCUMENTS

D596,954 S *	7/2009	Jimenez .....	D9/423
D696,910 S *	1/2014	Franczyk .....	D7/629
D699,076 S *	2/2014	Harris .....	D30/130
D713,741 S *	9/2014	Wilmers .....	D9/424
D750,940 S *	3/2016	Zalewski .....	D7/555
D785,466 S *	5/2017	Son .....	D9/760
D823,700 S *	7/2018	Orzeck .....	D9/737
2005/0161471 A1 *	7/2005	Grenda .....	B65D 1/36 222/94

\* cited by examiner

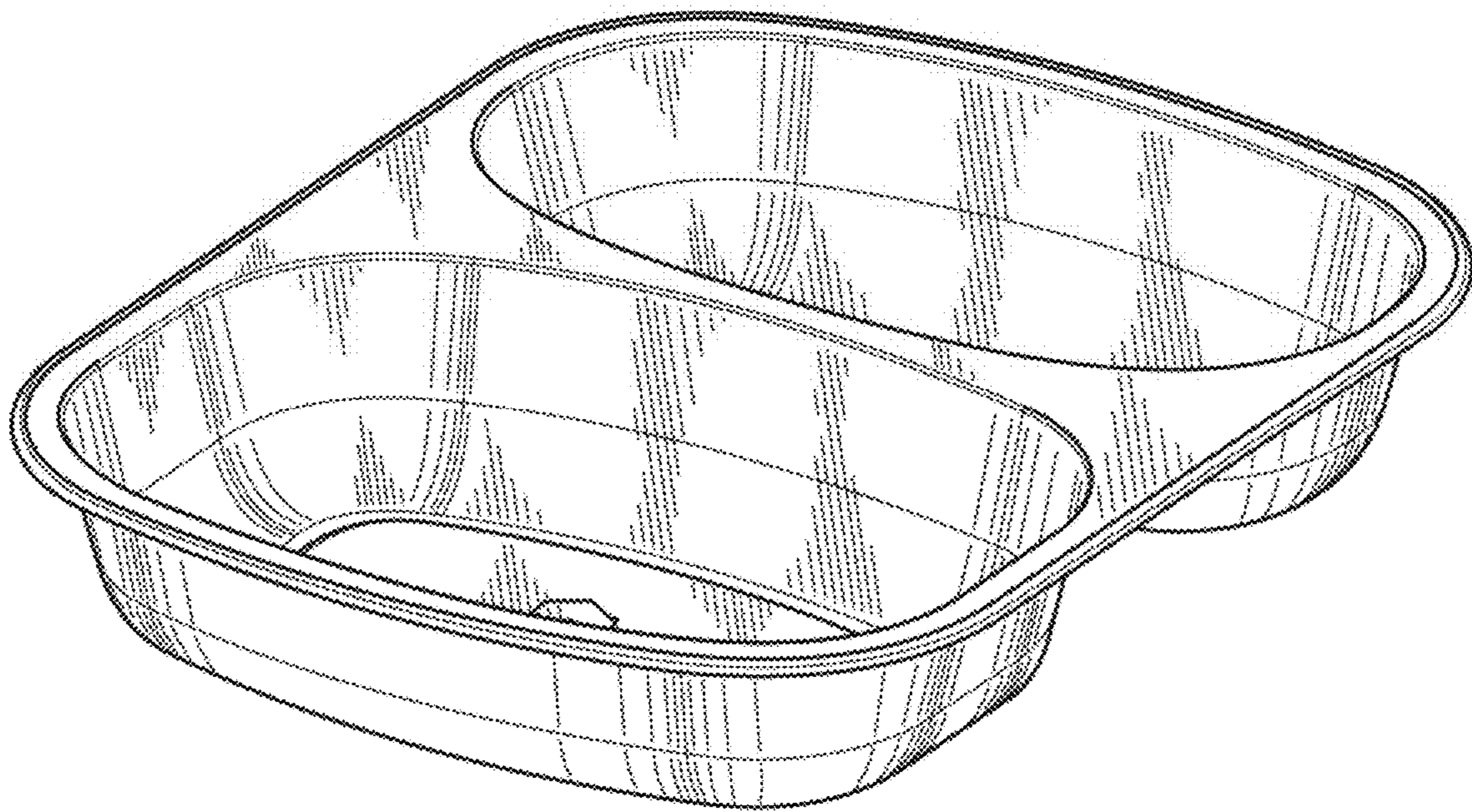


Fig. 1

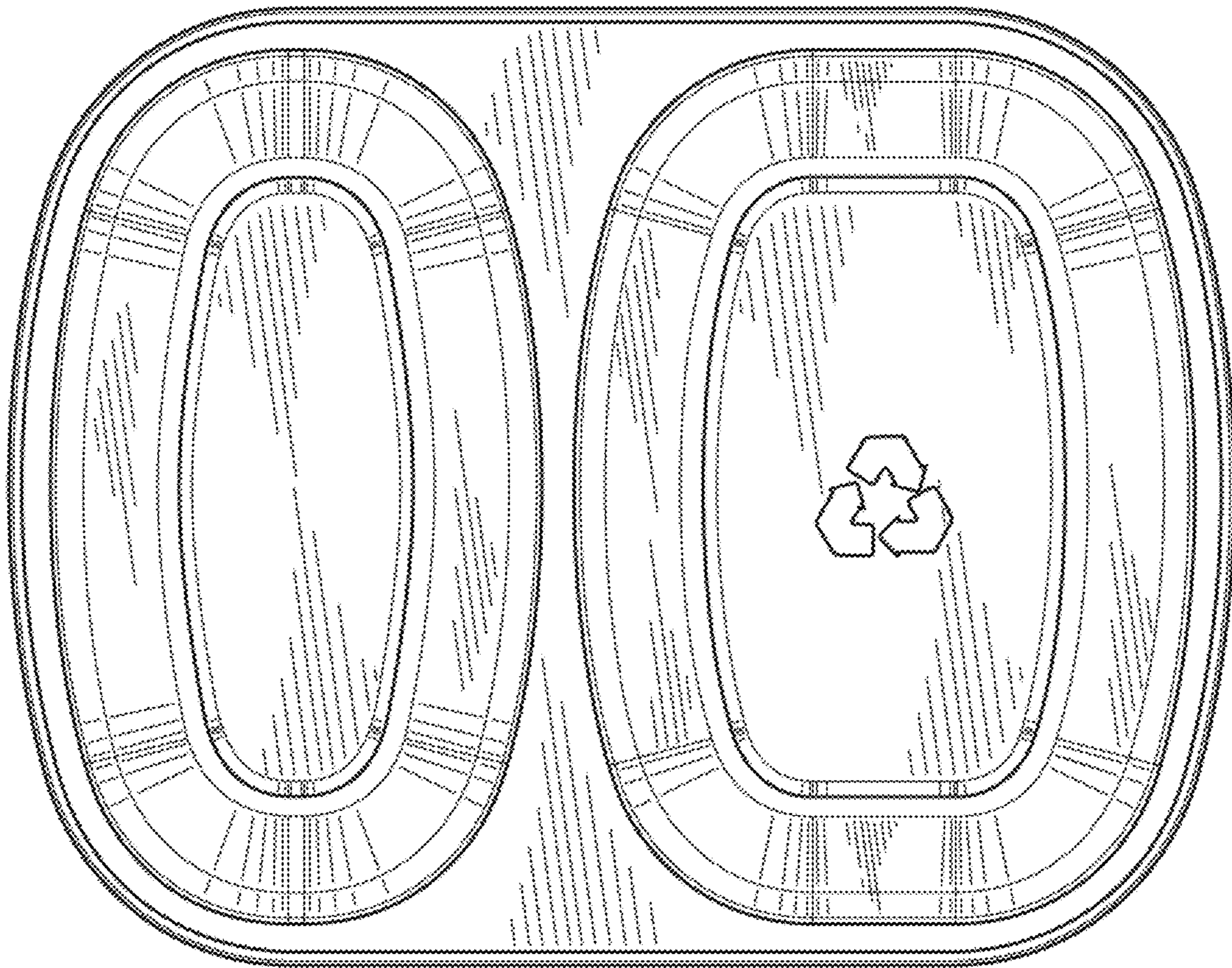


Fig. 2

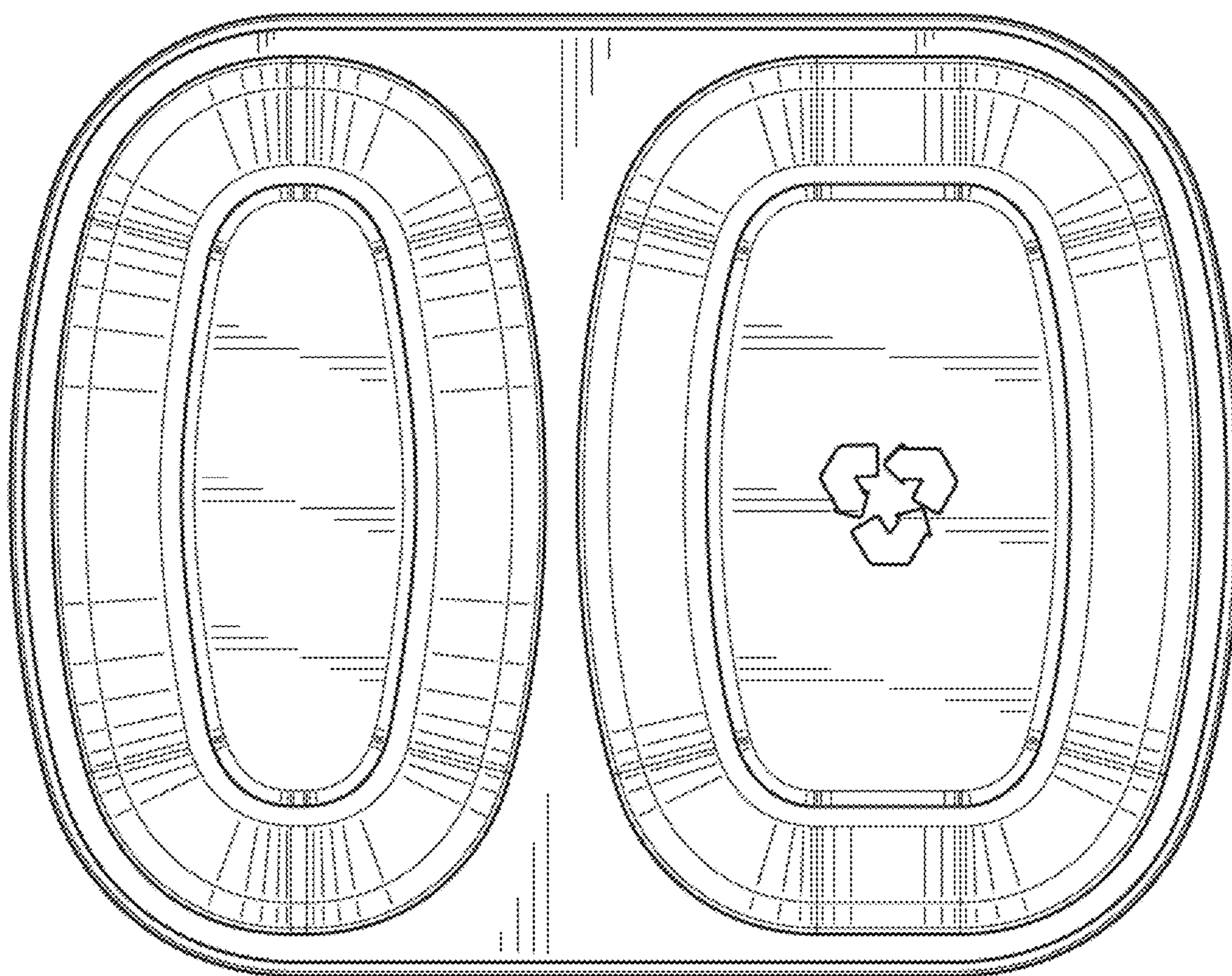


Fig. 3

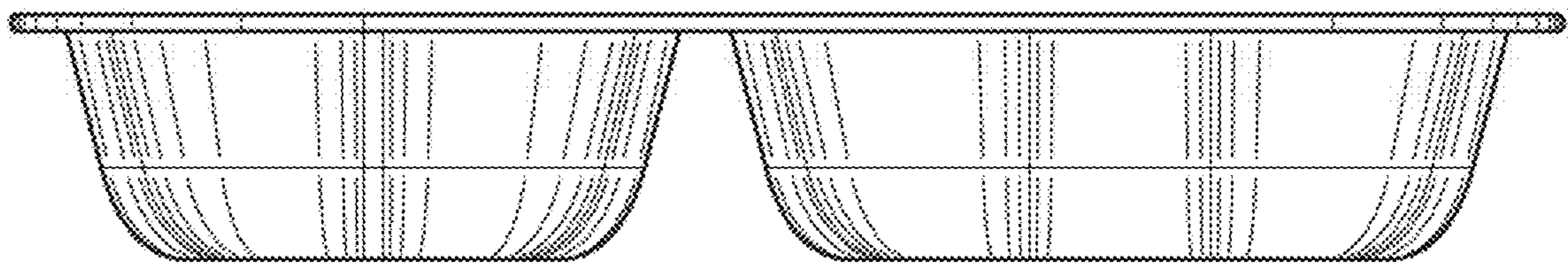


Fig. 4

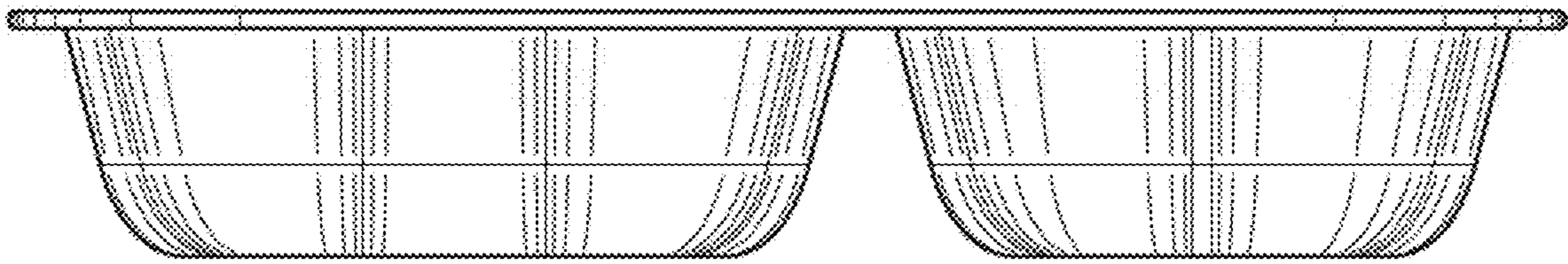


Fig. 5

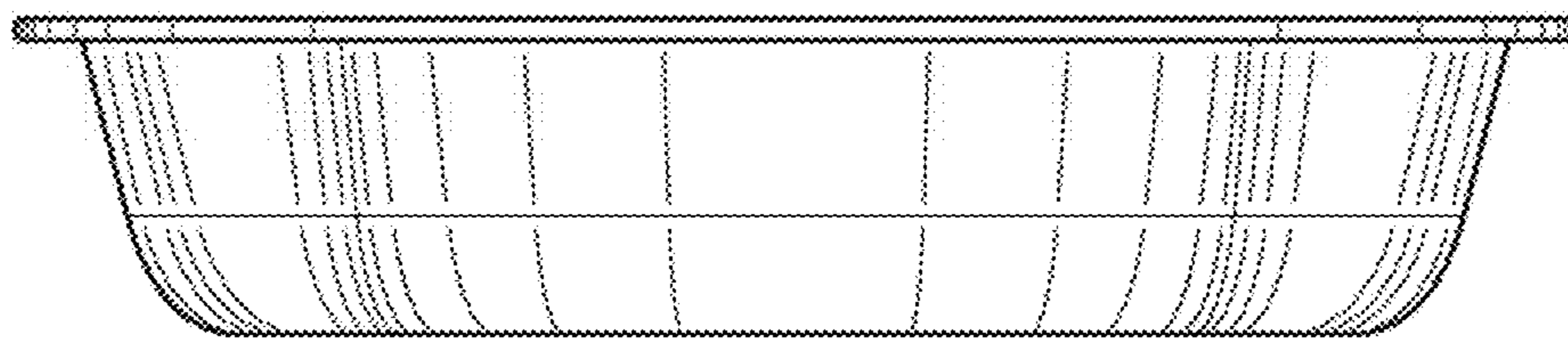


Fig. 6



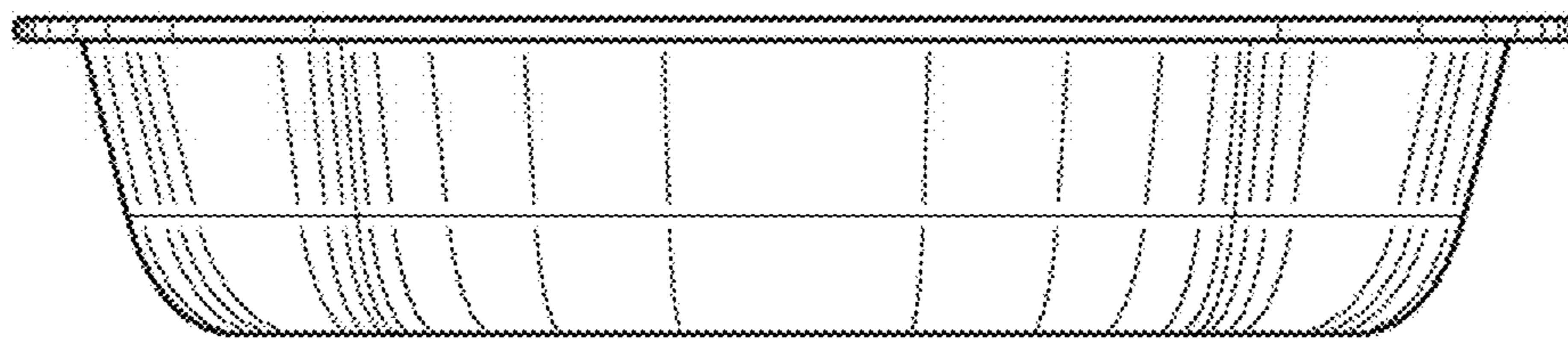


Fig. 7

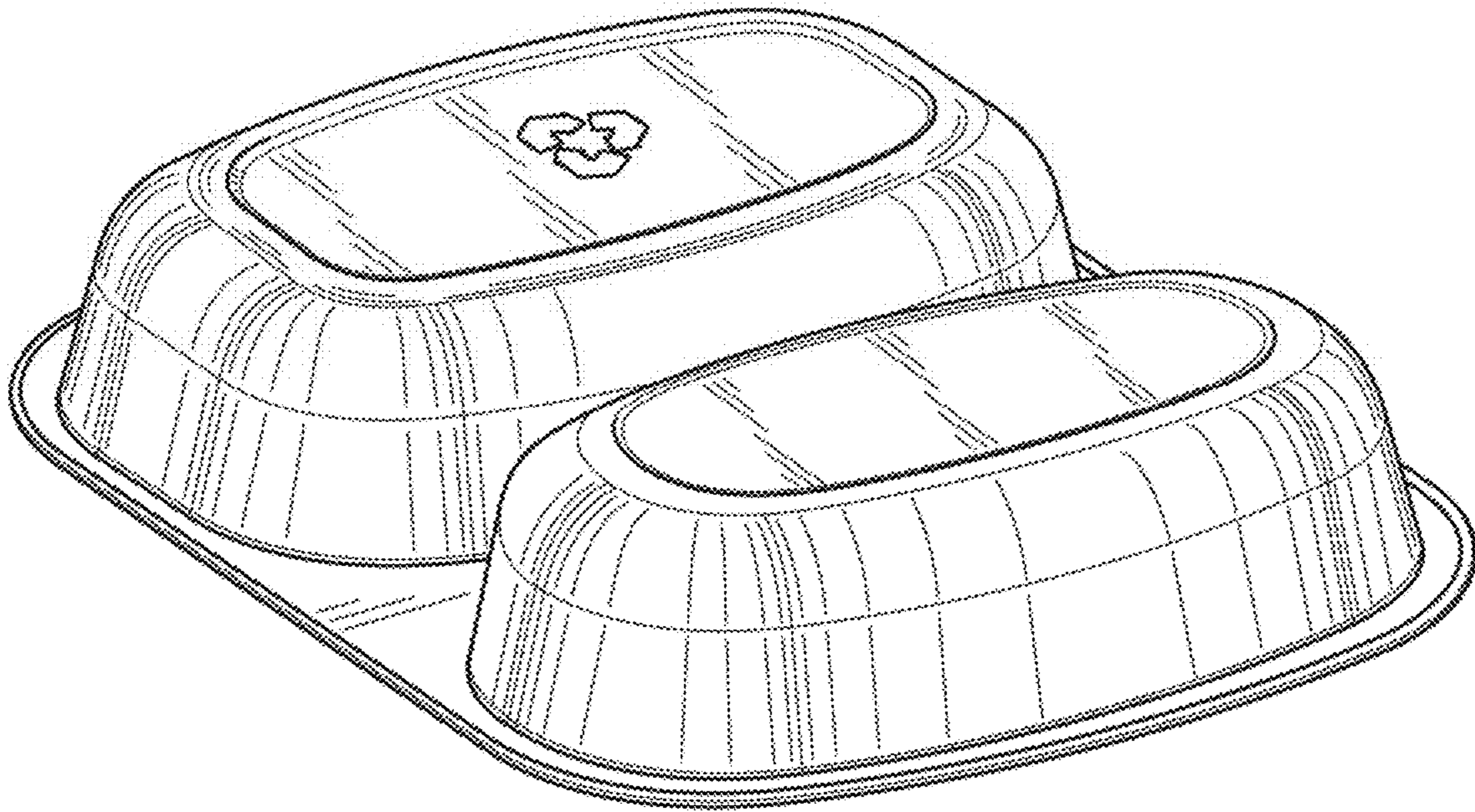


Fig. 8