



US00D871924S

(12) **United States Design Patent** (10) **Patent No.:** **US D871,924 S**
Vanderwell et al. (45) **Date of Patent:** **** Jan. 7, 2020**

(54) **PACKAGING INSERT ASSEMBLY FOR AN ADVENT CALENDAR**
(71) Applicant: **CRAFT BEER IMPORTERS CANADA INC.**, Calgary (CA)
(72) Inventors: **Janice Vanderwell**, Calgary (CA); **Jeffrey William Mills**, St. Marys (CA)
(73) Assignee: **CRAFT BEER IMPORTERS CANADA INC.**, Calgary (CA)

Primary Examiner — W. A. Teddy Falloway
(74) *Attorney, Agent, or Firm* — Greenblum & Bernstein, P.L.C.

(**) Term: **15 Years**
(21) Appl. No.: **29/572,908**
(22) Filed: **Aug. 1, 2016**
(51) **LOC (12) Cl.** **09-03**
(52) **U.S. Cl.**
USPC **D9/755**; D9/756; D9/456
(58) **Field of Classification Search**
USPC D9/737, 750, 751, 753, 755, 756, 517, D9/414, 455, 456; D7/601, 602, 701,
(Continued)

(57) **CLAIM**
We claim the ornamental design for a packaging insert assembly for an advent calendar, as shown and described.

(56) **References Cited**
U.S. PATENT DOCUMENTS
D130,065 S * 10/1941 Rico et al. 206/162
D182,112 S * 2/1958 Frankel D9/753
(Continued)

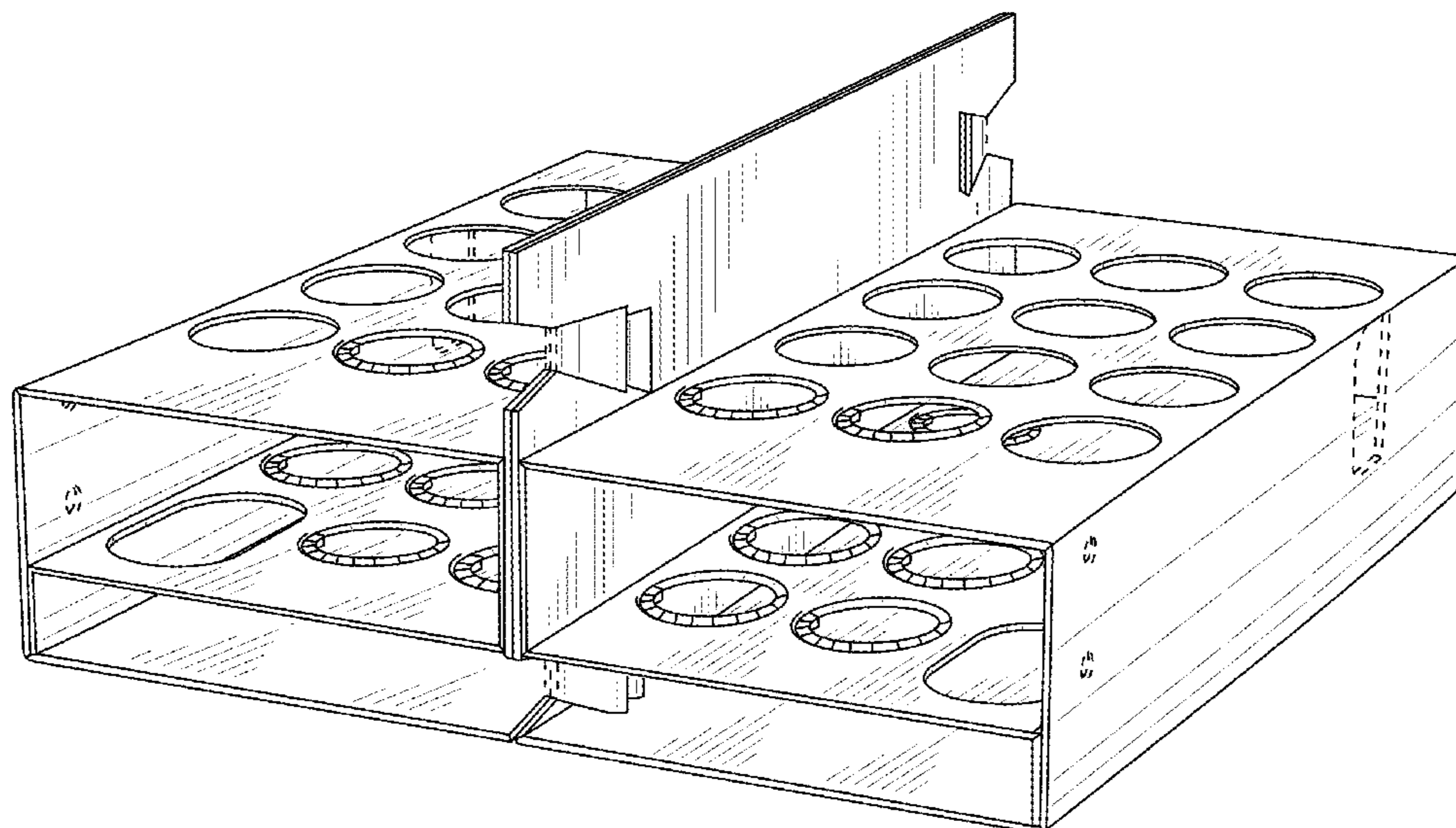
DESCRIPTION

FOREIGN PATENT DOCUMENTS
CA 174763 * 10/2018
DE 197 36 287 9/1998
(Continued)

FIG. 1 shows a top front right side perspective view a packaging insert assembly for an advent calendar according to the invention. The locking tabs are shown in a bent locking position;
FIG. 2 shows a front left side view of a left-side insert of the assembly of FIG. 1, shown separately for completeness of illustration. The locking tabs are shown in an unbent position;
FIG. 3 shows a front right side view of a right-side insert of the assembly of FIG. 1;
FIG. 4 shows a front, top, right perspective view of the left insert of FIG. 2;
FIG. 5 shows a top left side perspective view thereof;
FIG. 6 shows a front, top, right side perspective view of the right insert of FIG. 3;
FIG. 7 shows a top right side perspective view thereof;
FIG. 8 shows a left elevation view of the left insert of FIG. 2;
FIG. 9 shows a right elevation view of the right insert of FIG. 3;
FIG. 10 shows a left elevation view thereof;
FIG. 11 shows a left elevation view thereof, shown with the upper locking tabs bent;
FIG. 12 shows a bottom plan view of FIG. 2; and,
FIG. 13 shows a bottom plan view of FIG. 3.
The broken lines shown illustrate portions of the package insert assembly for an advent calendar that form no part of the claimed design.

OTHER PUBLICATIONS
The Craft BeerAdvent Calendar URL <https://twitter.com/thebeerhuntress>.
(Continued)

1 Claim, 10 Drawing Sheets



(58) **Field of Classification Search**

USPC D7/705–708, 709, 630, 641; D3/315;
 206/139–144, 153, 172, 174, 192, 193,
 206/198–201; 220/500, 509, 512, 515,
 220/23.2, 23.4, 528, DIG. 2, DIG. 15;
 224/148.1, 148.4, 270, 906; 229/904
 CPC B65D 71/72; B65D 71/48; B65D
 2571/0029; B65D 2571/00487; B65D
 5/427; B65D 71/004; B65D 1/243; B65D
 71/0003; B65D 71/0014; B65D 71/0022;
 B65D 71/50; Y10S 229/904

See application file for complete search history.

(56) **References Cited**

U.S. PATENT DOCUMENTS

D183,567 S 9/1958 Hagan
 D206,494 S * 12/1966 Watts D9/415
 3,838,806 A 10/1974 Dogliotti
 D236,436 S * 8/1975 Fischer D9/753
 3,949,930 A * 4/1976 Giordano B65D 5/48014
 206/562
 4,004,691 A 1/1977 Wihksne
 4,053,099 A * 10/1977 Lock B65D 71/72
 206/562
 4,269,309 A * 5/1981 Prodel B65D 1/243
 206/203
 D268,251 S * 3/1983 Savage D9/415
 5,495,703 A * 3/1996 Kruit B65B 21/24
 53/252
 5,590,776 A * 1/1997 Galbierz B65D 71/44
 206/153
 5,611,425 A * 3/1997 Holley, Jr. B65D 71/0022
 206/144
 D386,073 S * 11/1997 Hanson D9/432
 5,765,690 A * 6/1998 Baxter B65D 71/72
 206/1.5
 5,797,486 A * 8/1998 Picciolo B65D 71/48
 206/162
 6,068,127 A * 5/2000 Hunter B65D 5/3621
 206/194
 6,186,553 B1 2/2001 Phillips
 D494,060 S 8/2004 Izen
 D496,275 S 9/2004 Hamuro
 D499,020 S 11/2004 Izen
 D513,596 S * 1/2006 Hamblin D24/230
 D515,941 S * 2/2006 Hamblin D24/230
 D515,942 S * 2/2006 Hamblin D24/230
 D515,943 S * 2/2006 Hamblin D24/230
 D533,078 S * 12/2006 Lebras D9/751
 D557,135 S 12/2007 Demalschee
 D600,447 S * 9/2009 Sullivan D3/309
 7,661,530 B1 2/2010 Hewitt
 D636,665 S 4/2011 Mittelstaedt
 D642,456 S 8/2011 Mittelstaedt
 D643,741 S 8/2011 Kaneko
 D643,747 S 8/2011 Rye
 D660,701 S * 5/2012 Cox D9/455
 D668,545 S * 10/2012 Cox D9/455
 D673,864 S 1/2013 Read
 D684,049 S 6/2013 McCarthy
 D693,678 S 11/2013 Kanchan
 D706,640 S 6/2014 Lee

D707,552 S 6/2014 Ahn
 D708,959 S 7/2014 Lee
 D709,364 S 7/2014 Olsson
 D709,775 S * 7/2014 Perkins D9/751
 D729,073 S * 5/2015 Wasilewski D9/753
 D743,247 S 11/2015 Solovov
 D756,804 S 5/2016 Gross
 D758,851 S 6/2016 Binder
 D772,057 S 11/2016 Adams
 D772,061 S 11/2016 O'Dowd
 D786,677 S * 5/2017 Griffith D9/456
 D787,320 S * 5/2017 Gill D9/423
 D817,783 S * 5/2018 Chang D9/756
 2003/0106828 A1 * 6/2003 Hunter B65D 71/004
 206/549
 2003/0163936 A1 9/2003 Floss
 2003/0209454 A1 * 11/2003 Hunter B65D 5/427
 206/217
 2006/0024410 A1 2/2006 Krivanek
 2006/0169602 A1 * 8/2006 Woog A45C 11/20
 206/141
 2006/0278559 A1 * 12/2006 Hamblin B65D 71/72
 206/562
 2009/0007467 A1 1/2009 Bowman
 2009/0223971 A1 * 9/2009 Moffett B25H 3/023
 220/500
 2010/0127058 A1 * 5/2010 Bates B65D 71/004
 229/117.13
 2012/0085767 A1 4/2012 Read
 2014/0008250 A1 * 1/2014 Picciolo B65D 71/004
 206/141
 2015/0108035 A1 4/2015 Delforte
 2019/0177031 A1 * 6/2019 Vanderwell B65D 5/5038

FOREIGN PATENT DOCUMENTS

DE 202005014806 11/2005
 DE 202006011123 10/2006
 EM 001624362-0001 10/2009
 EM 003714005-0008 * 1/2017

OTHER PUBLICATIONS

The Craft Beer Advent Calendar URL <http://mamanlousden.com/2016/11/21/beer-advent-calendar/>.
 12 Best Advent Calendar Ideas URL <http://blog.buzzbishop.com/shopping/best-advent-calendars-2014/>.
 The 2012 Craft Beer Advent Calendar URL <http://blog.buzzbishop.com/food/beer/the-craft-beer-advent-calendar/>.
 Office Action dated Nov. 30, 2016 issued in U.S. Appl. No. 29/527,891.
 Best List of Grown Up Advent Calendars URL <http://dad-camp.com/grown-advent-calendars/>.
 Tis the Season URL <http://www.thebeerblogger.ca/tis-the-season/>.
 Der biergste Adventkalender (2011) URL <http://michelleswafflings.blogspot.com/2011/12/der-bierigste-adventkalender.html> Dec. 8, 2011.
 Craft Beer Advent Calendar—2013 Edition URL <http://abliqorstore.com/wordpress/wp-content/uploads/2013/10/Craft-Beeradvent-Calendar.jpg> Oct. 3, 2013.
 U.S. Appl. No. 62/369,420, filed Aug. 1, 2016.
 Office Action dated Mar. 19, 2018 issued in U.S. Appl. No. 29/527,891.

* cited by examiner

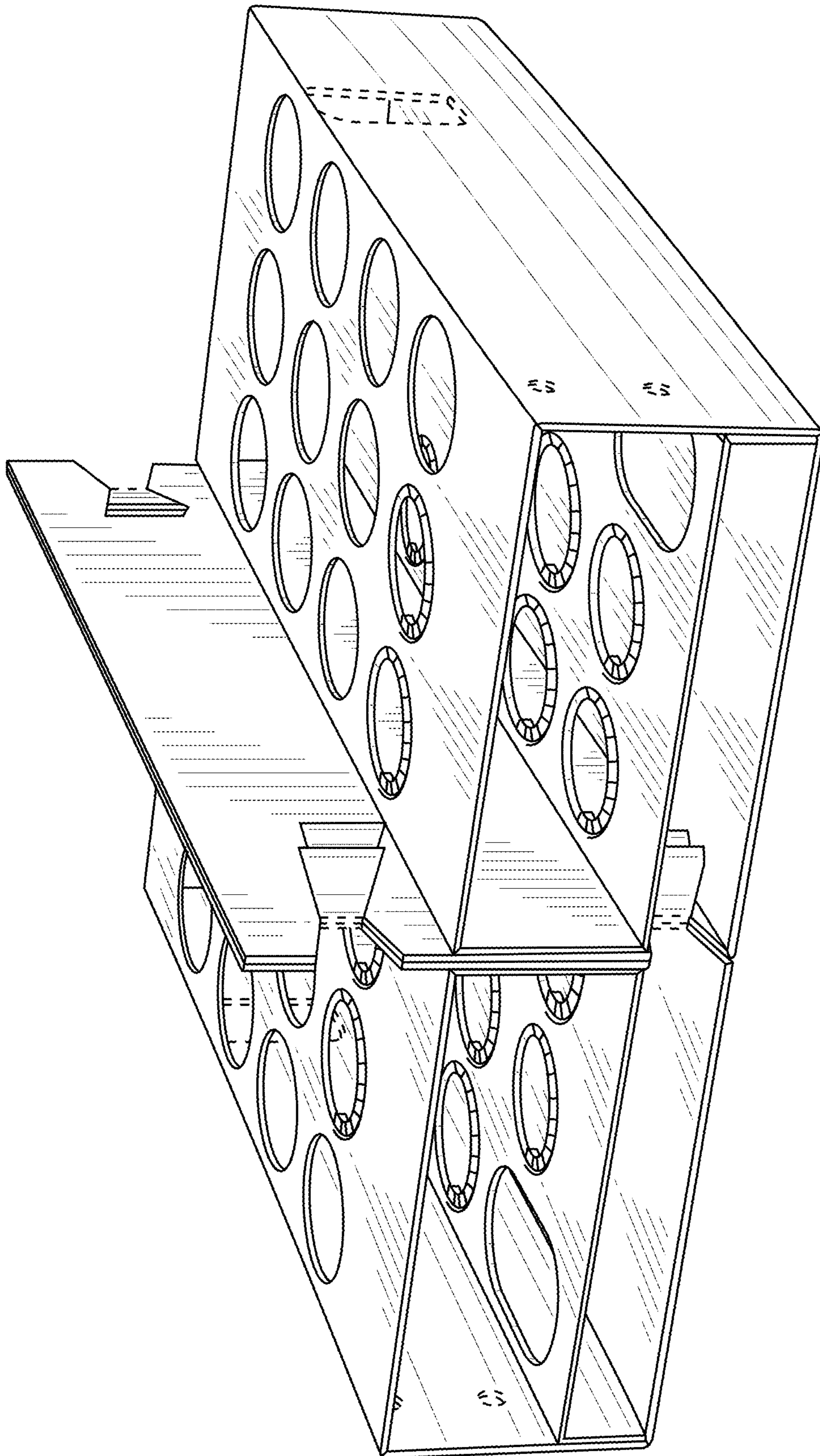


FIG. 1

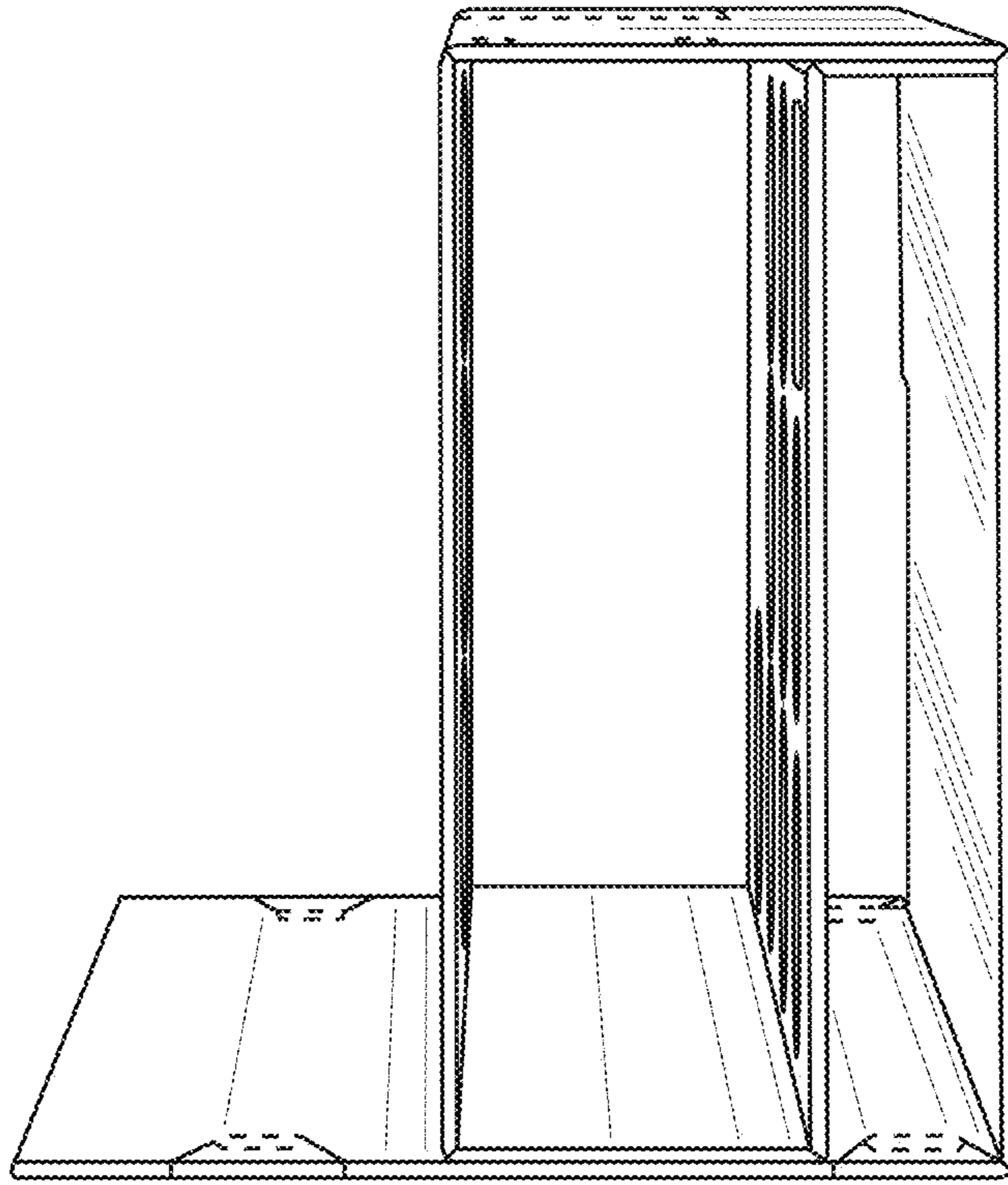


FIG. 3

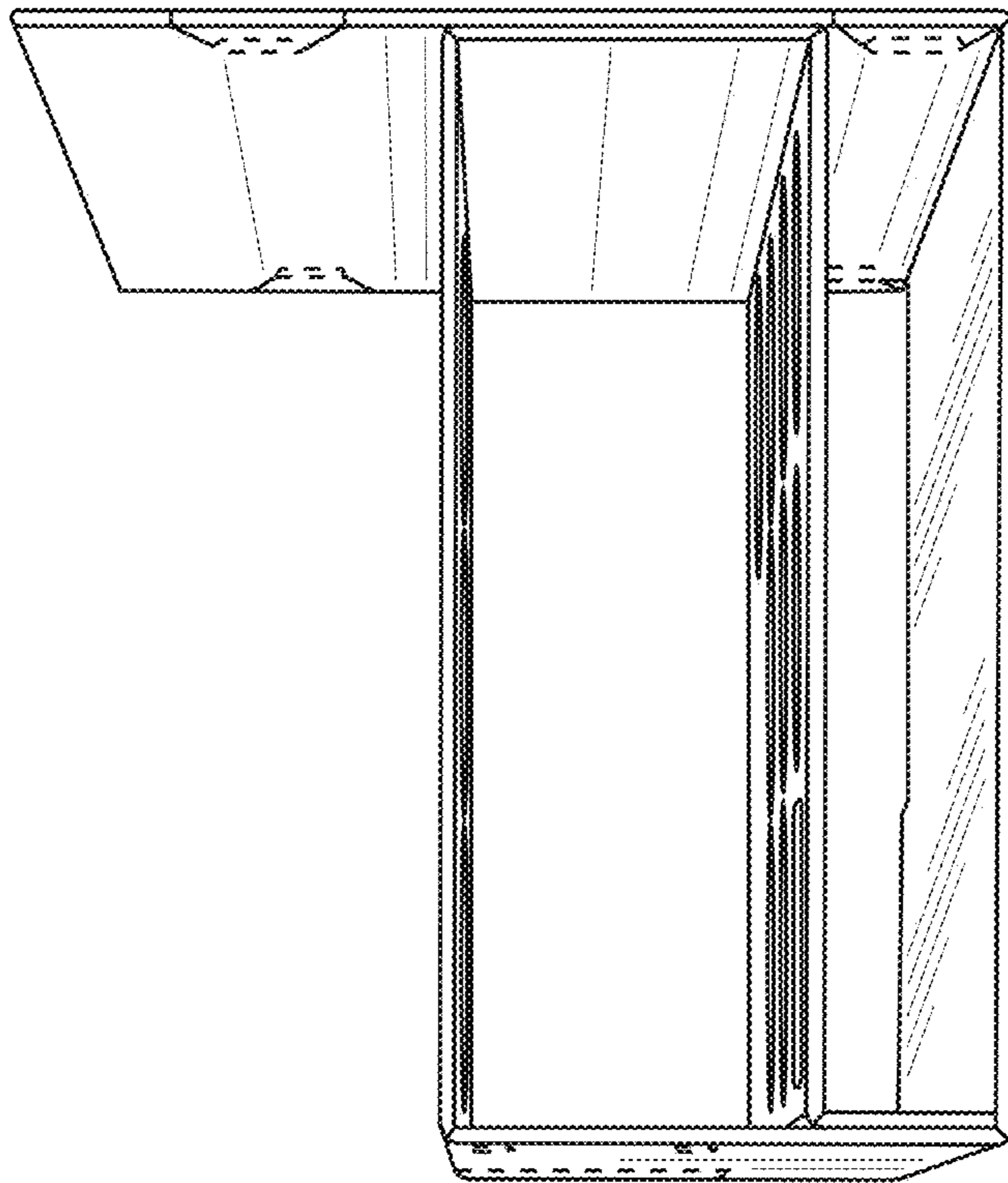


FIG. 2

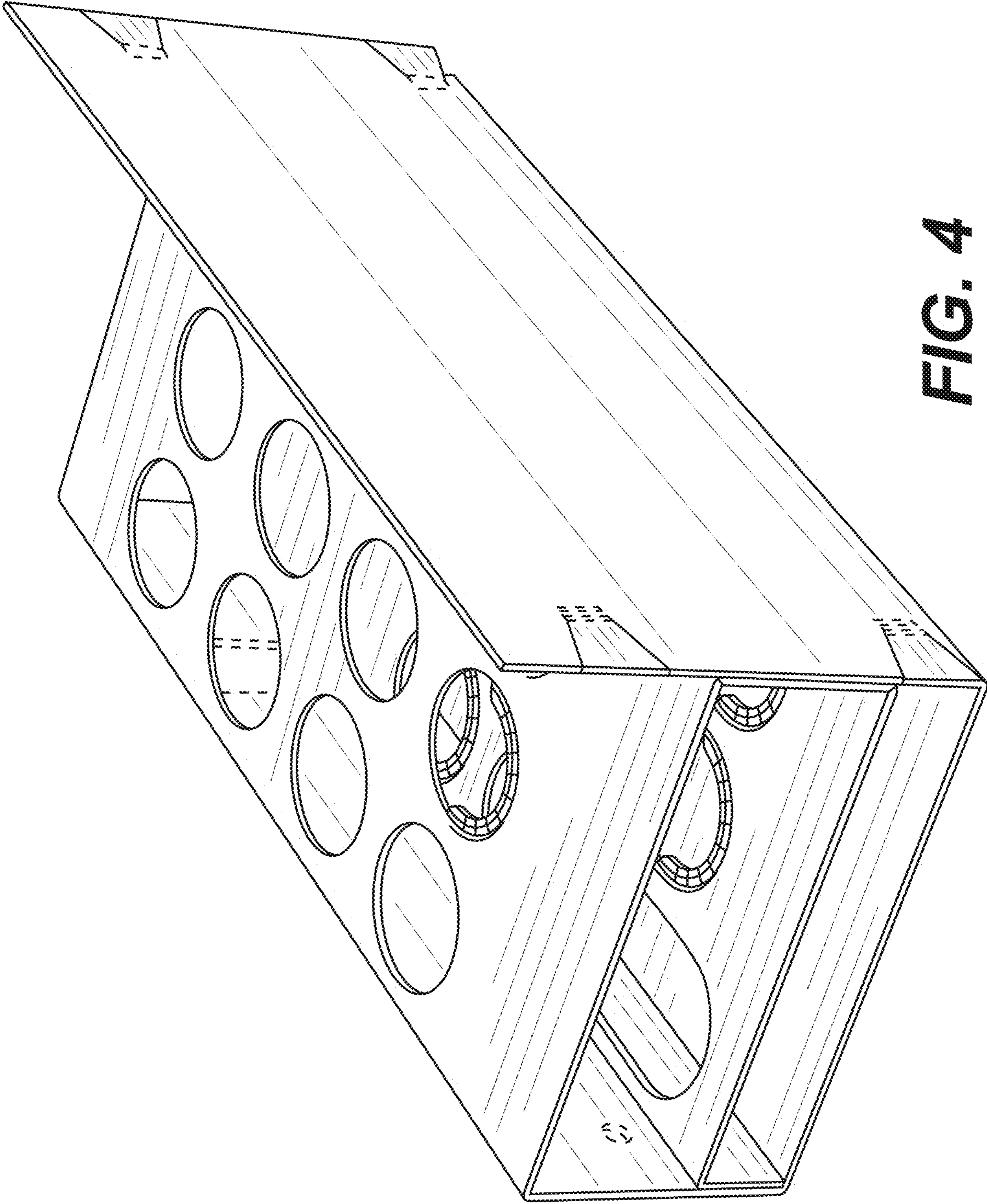


FIG. 4

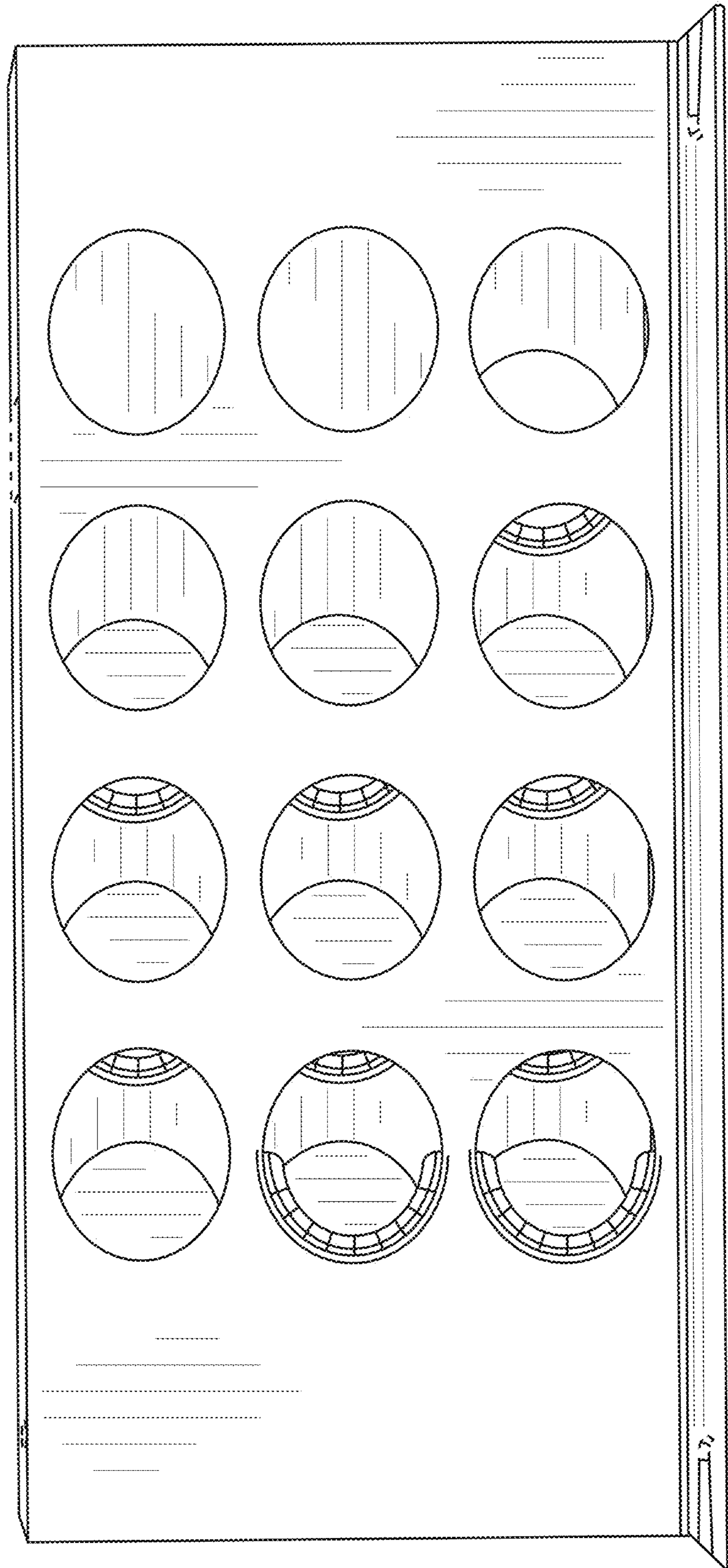
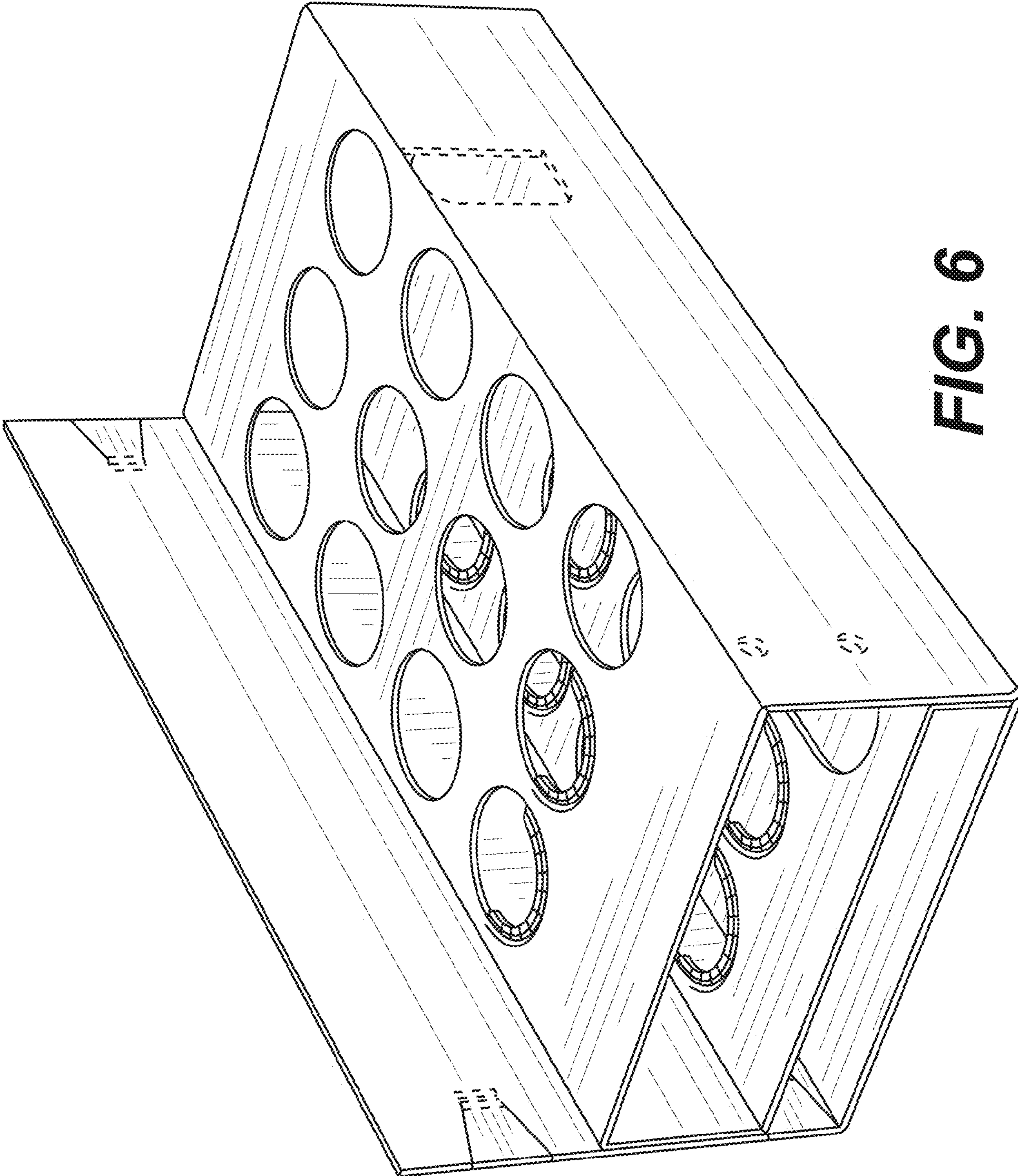


FIG. 5



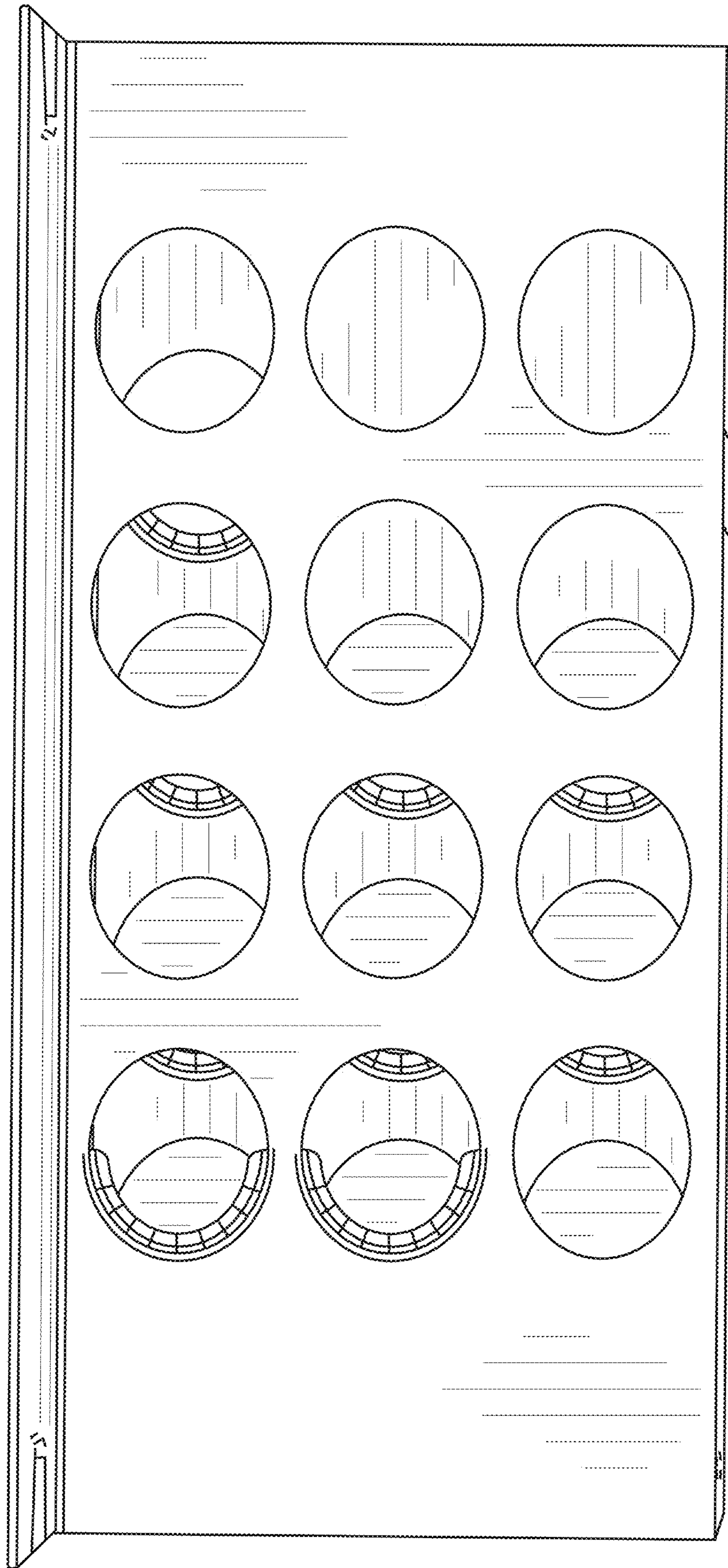


FIG. 7

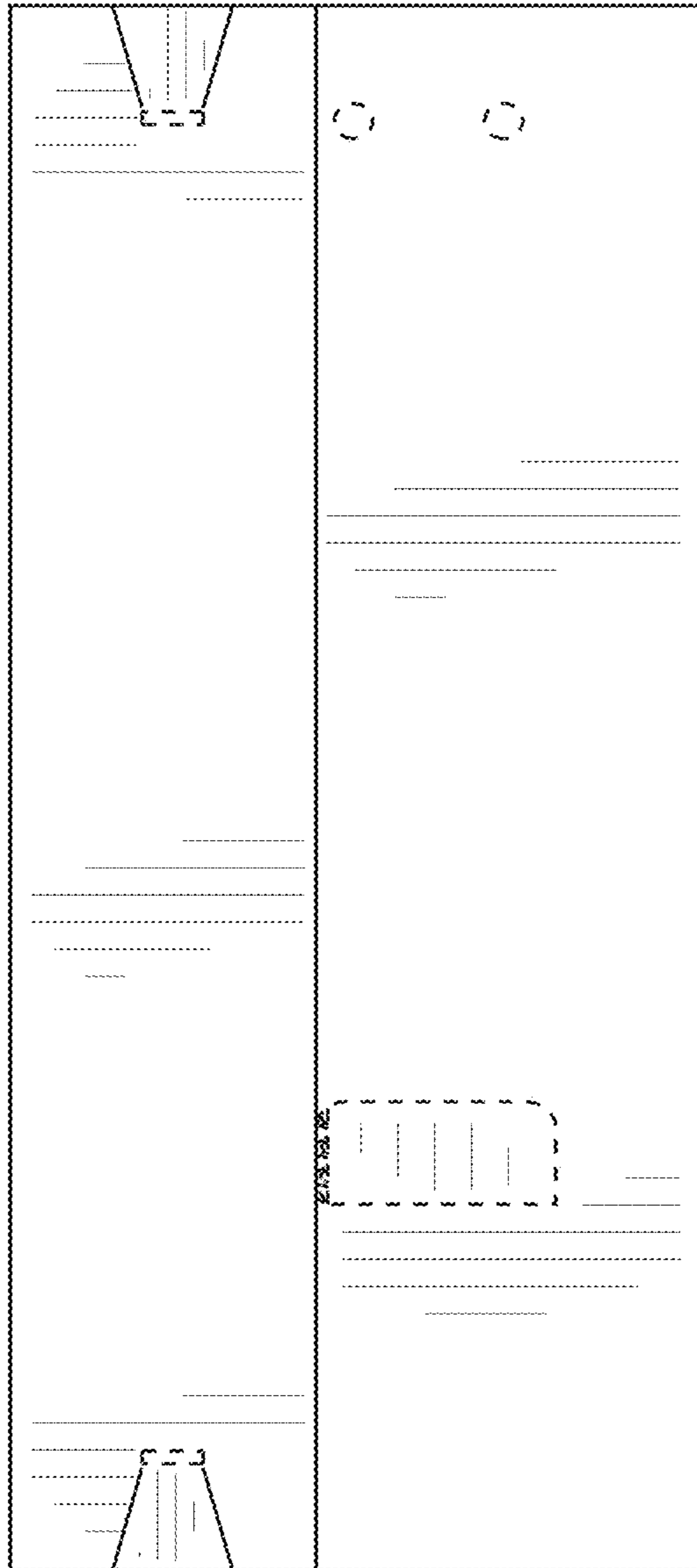


FIG. 8

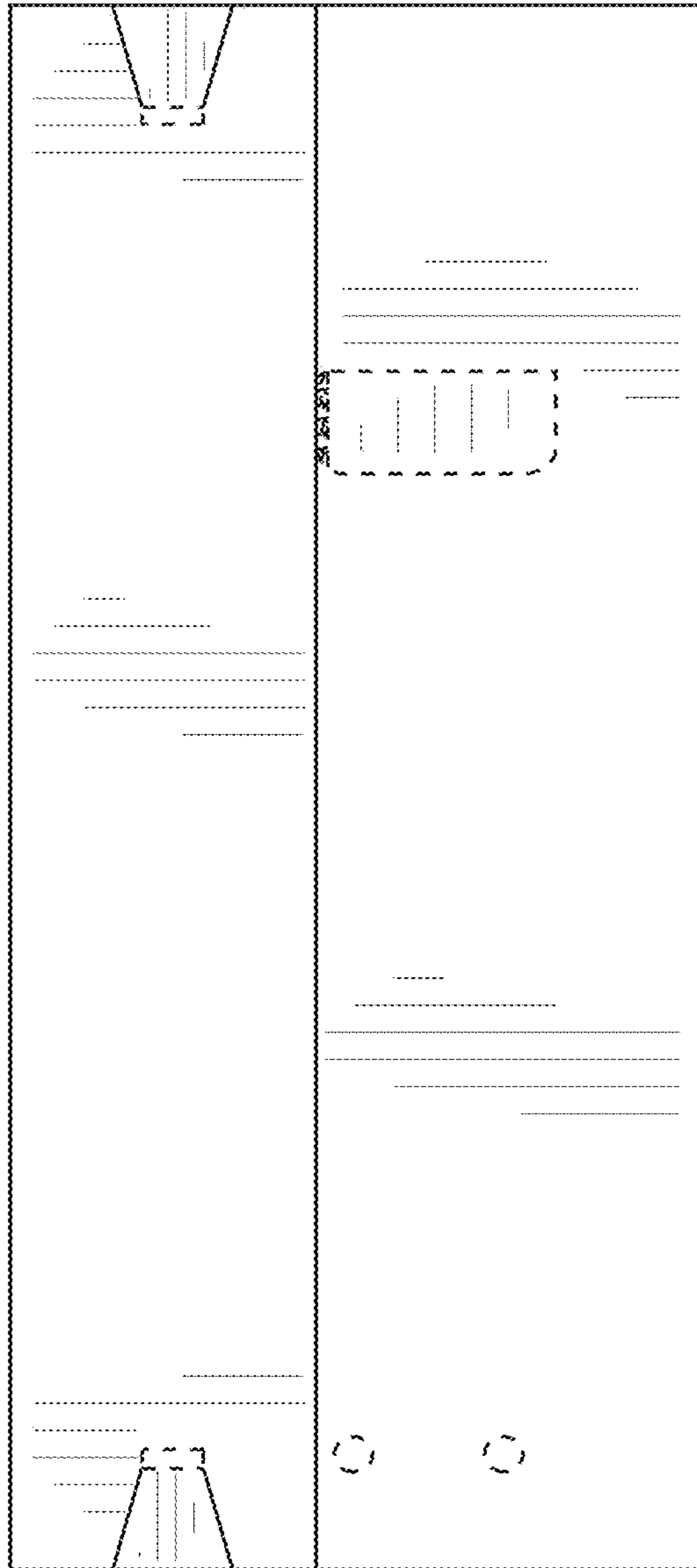


FIG. 9

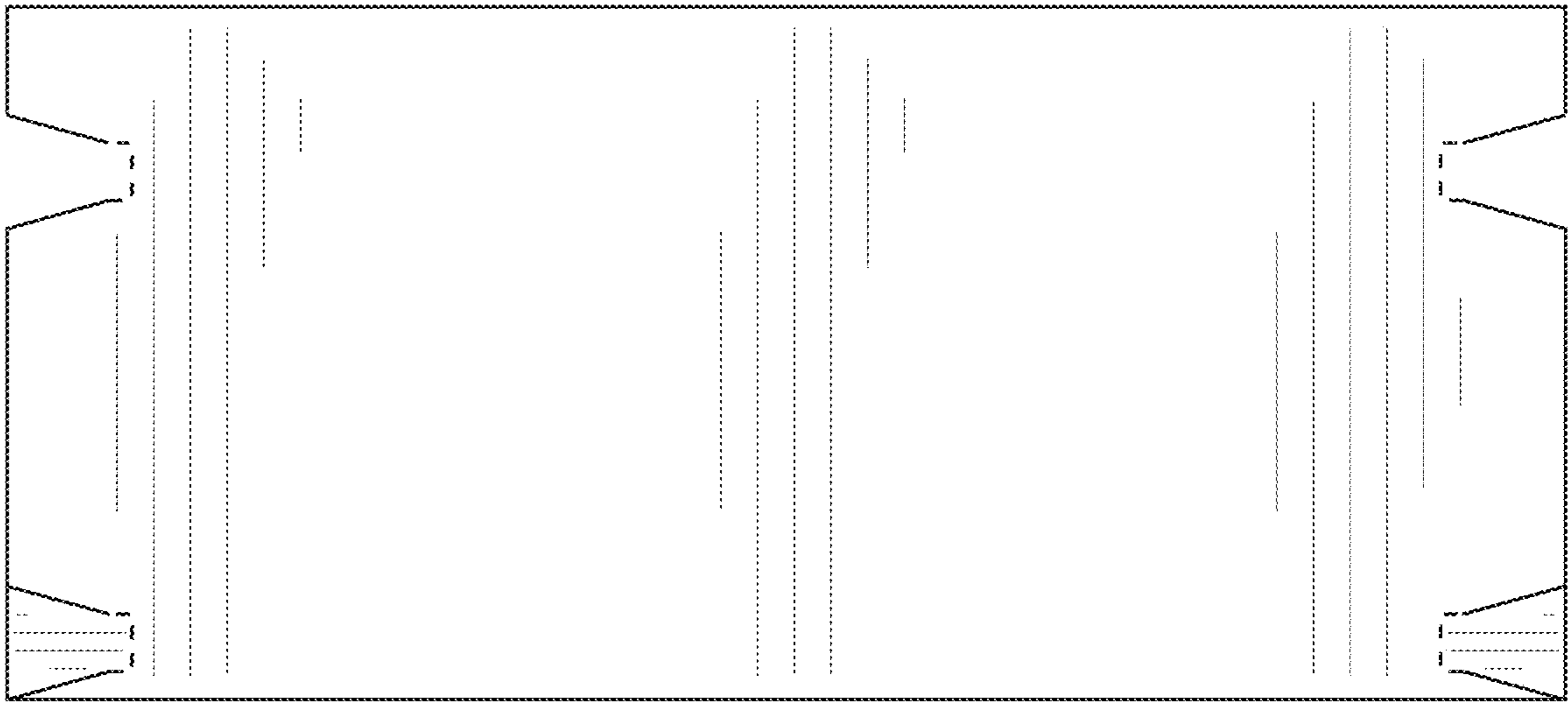


FIG. 11

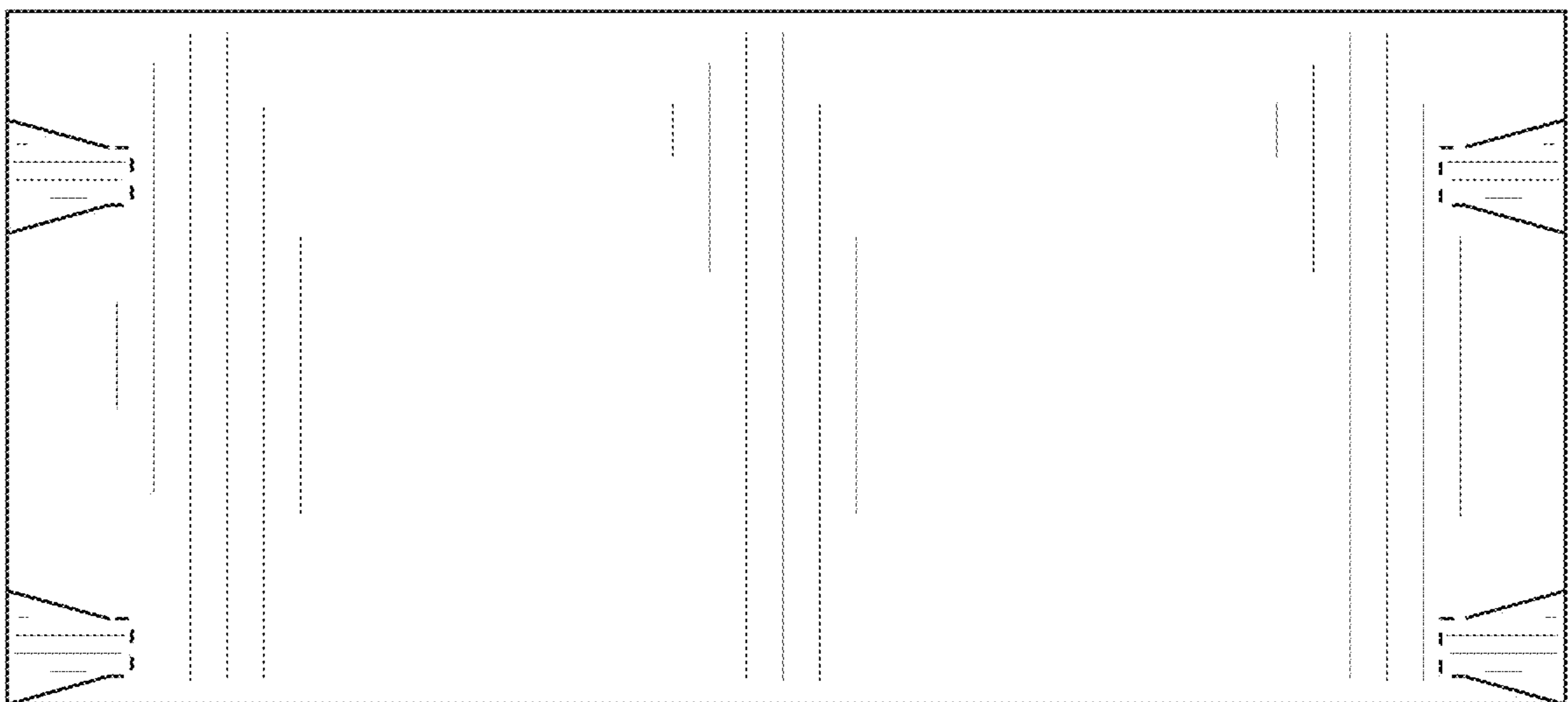


FIG. 10

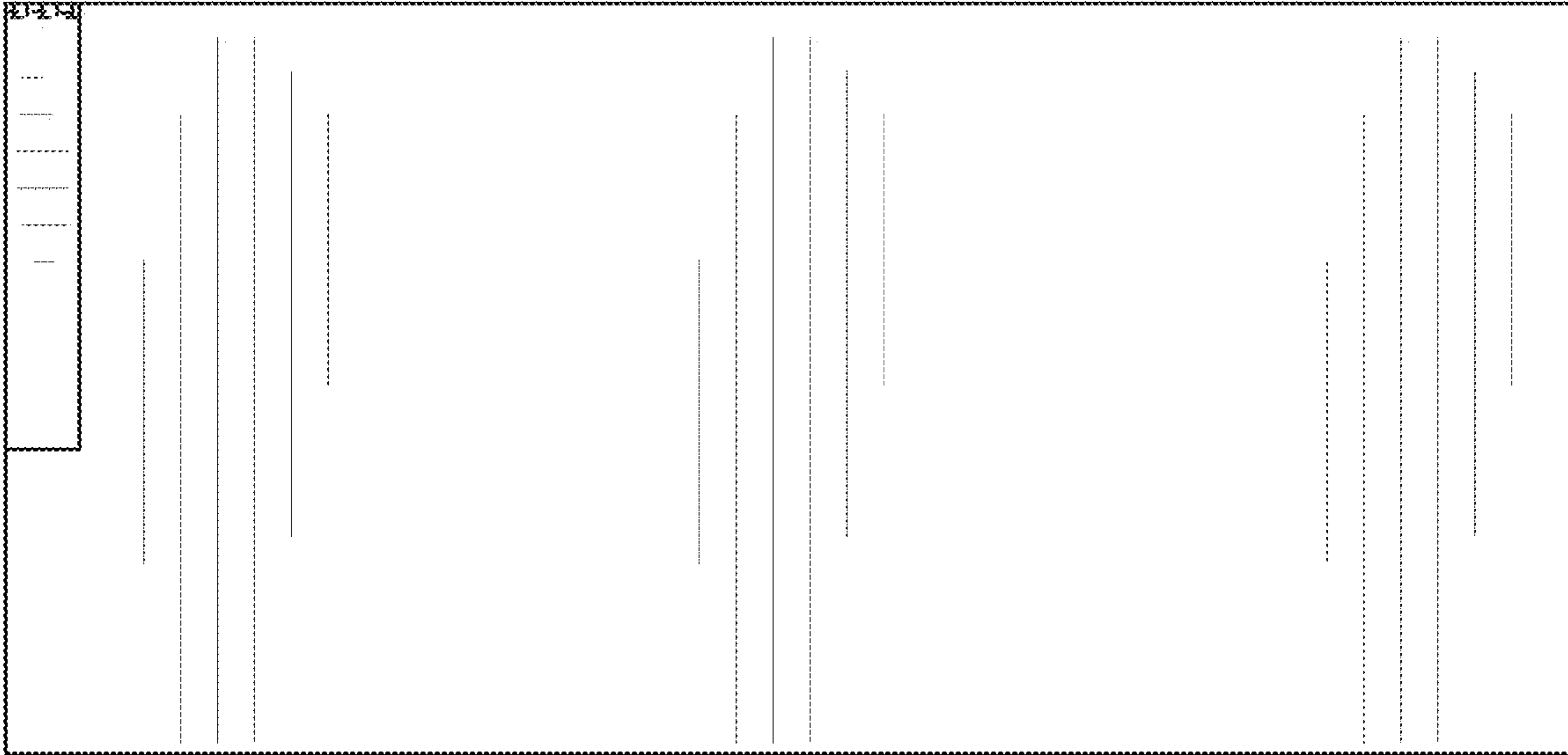


FIG. 13

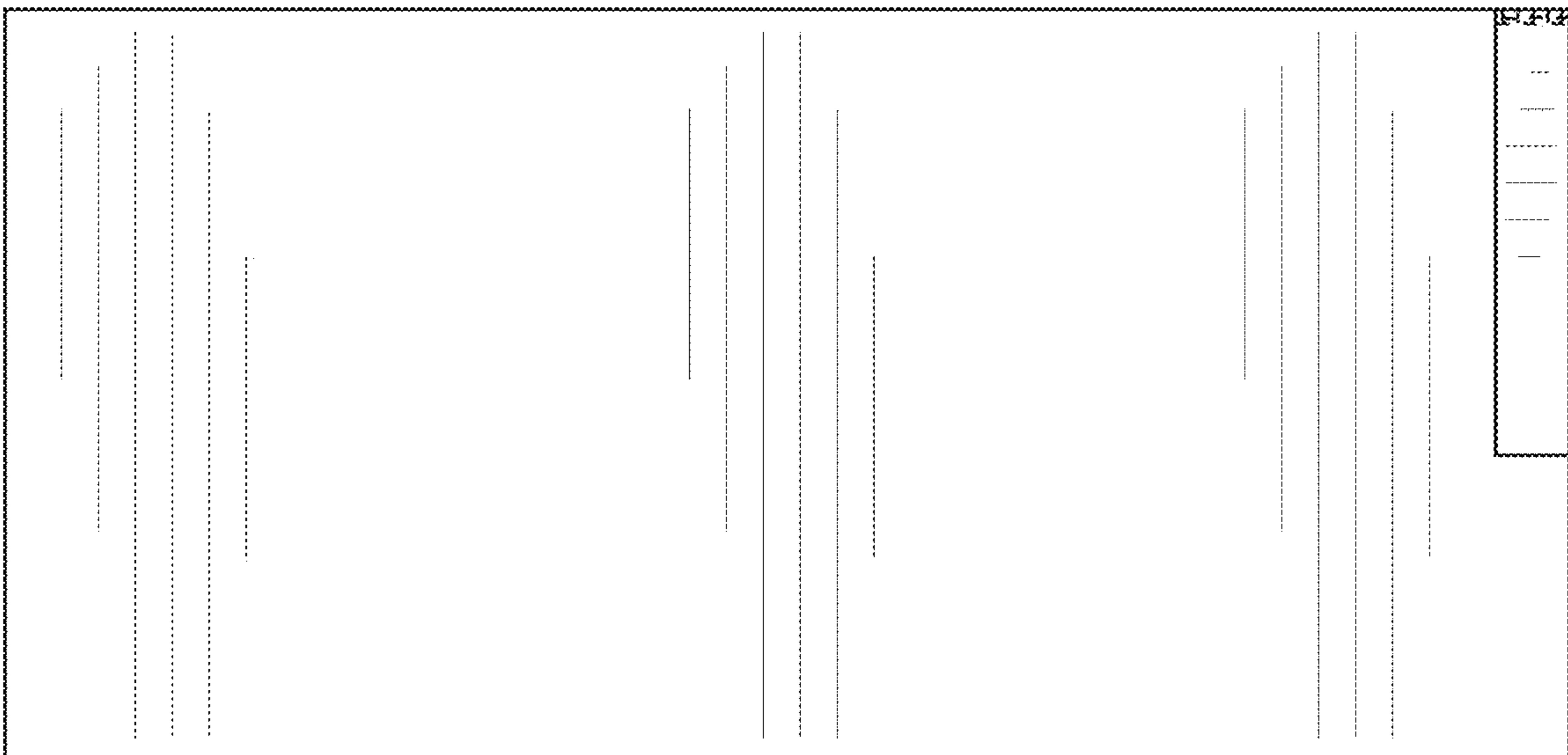


FIG. 12