

US00D871923S

(12) **United States Design Patent**  
**Agengo**

(10) **Patent No.:** **US D871,923 S**

(45) **Date of Patent:** **\*\* Jan. 7, 2020**

(54) **MULTIPLE-OUTLET CONTAINER**

(71) Applicant: **George Omondi Agengo**, Bethlehem, PA (US)

(72) Inventor: **George Omondi Agengo**, Bethlehem, PA (US)

(\*\*) Term: **15 Years**

(21) Appl. No.: **29/628,931**

(22) Filed: **Dec. 8, 2017**

(51) **LOC (12) Cl.** ..... **09-01**

(52) **U.S. Cl.**

USPC ..... **D9/747**

(58) **Field of Classification Search**

USPC ..... D9/737-747, 516, 524-528, 549, 684, D9/719, 573-575; D7/509-511, 563, D7/573, 590, 513, 300, 308, 312, 315, D7/601, 602, 619.1, 622; D3/202; 220/505, 504, 288, 709, 23.4, 23.8, 23.88, 220/633, 916, 660, 669; 264/532; 222/129, 94, 135; 215/6, 10, 216; D24/121, 226

CPC ..... B65D 1/04; B65D 1/06; B65D 81/3205; B65D 11/04; B65D 21/0201; B65D 21/0204; B65D 21/0205; B65D 21/0209; B65D 25/04; B65D 51/249; B65D 81/3288; B65D 1/02; B65D 2501/0081; B65D 81/3244; B65D 83/40; B65D 83/68; B65D 81/3222; B65D 23/001; B65D 35/22; B65D

(Continued)

(56) **References Cited**

**U.S. PATENT DOCUMENTS**

4,098,397 A \* 7/1978 Mann, Jr. .... A47J 41/0072  
206/217  
4,194,619 A \* 3/1980 Schley ..... A45F 3/16  
206/217

(Continued)

*Primary Examiner* — W. A. Teddy Falloway

(74) *Attorney, Agent, or Firm* — Duane Morris LLP

(57) **CLAIM**

The ornamental design for a multiple-outlet container, as shown and described.

**DESCRIPTION**

FIG. 1 is a front perspective view of a multiple-outlet container according to the present invention.

FIG. 2 is a front view of the multiple-outlet container of FIG. 1.

FIG. 3 is a rear view of the multiple-outlet container of FIG. 1.

FIG. 4 is a left side view of the multiple-outlet container of FIG. 1.

FIG. 5 is a right side view of the multiple-outlet container of FIG. 1.

FIG. 6 is a top view of the multiple-outlet container of FIG. 1.

FIG. 7 is a bottom view of the multiple-outlet container of FIG. 1.

FIG. 8 is a front perspective view of another embodiment of a multiple-outlet container according to the present invention.

FIG. 9 is a front view of the multiple-outlet container of FIG. 8.

FIG. 10 is a rear view of the multiple-outlet container of FIG. 8.

FIG. 11 is a left side view of the multiple-outlet container of FIG. 8.

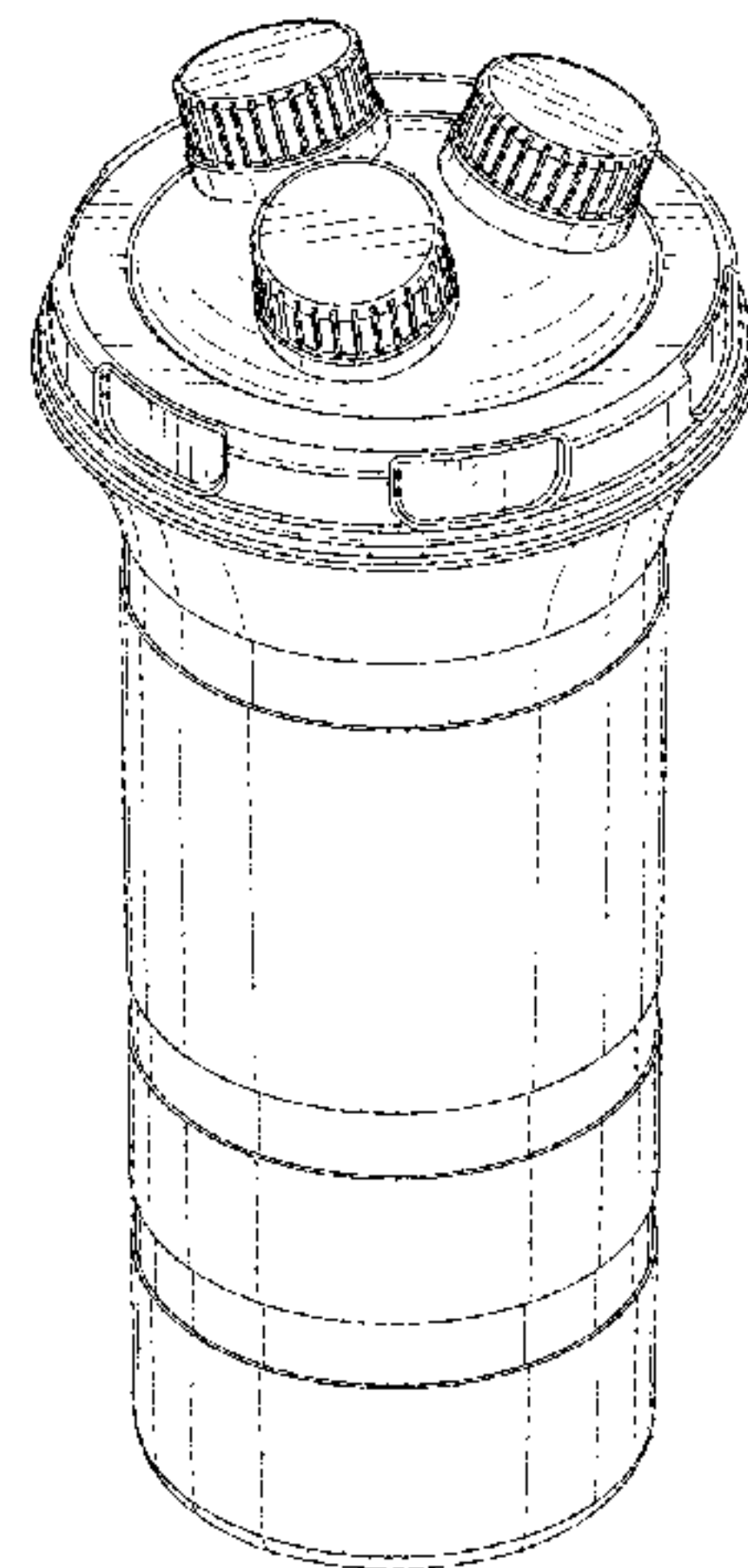
FIG. 12 is a right side view of the multiple-outlet container of FIG. 8.

FIG. 13 is a top view of the multiple-outlet container of FIG. 8; and,

FIG. 14 is a bottom view of the multiple-outlet container of FIG. 8.

The broken lines and unshaded areas therein illustrate portions of the multiple-outlet container that form no part of the claimed design.

**1 Claim, 14 Drawing Sheets**



(58) **Field of Classification Search**

CPC ..... 47/06; B65D 83/682; B65D 15/08; B65D  
 1/16; B65D 1/48; B65D 25/20; B05B  
 11/0081; B05B 11/30; B05B 11/0037;  
 B05B 11/0056; B05B 11/3081; A47G  
 2019/122; A61J 1/2093; A45F 3/20

See application file for complete search history.

(56) **References Cited**

U.S. PATENT DOCUMENTS

4,919,293	A *	4/1990	Buckley .....	B65D 1/30 220/23.2
D391,160	S *	2/1998	Lauth .....	D9/502
D431,158	S *	9/2000	Schwab .....	D7/510
D507,738	S	7/2005	Wagner	
D641,866	S *	7/2011	Burgess .....	D24/121
D673,814	S *	1/2013	Honein .....	D7/590
9,403,189	B2	8/2016	Vangemert et al.	
D803,071	S *	11/2017	Telu-Zoltner .....	D9/747
D835,778	S *	12/2018	Mozzicato .....	D24/121
D835,779	S *	12/2018	Mozzicato .....	D24/121
D840,534	S *	2/2019	Mozzicato .....	D24/121
D848,612	S *	5/2019	Mozzicato .....	D24/121
D849,558	S *	5/2019	Osmus .....	D9/742
2005/0184090	A1	8/2005	DeJonge	
2006/0021996	A1	2/2006	Scott, III et al.	
2006/0102581	A1	5/2006	Yates, III	
2008/0000866	A1	1/2008	Yates, III	
2010/0116768	A1	5/2010	Kountotsis	
2010/0116769	A1	5/2010	Kountotsis	
2010/0140230	A1	6/2010	Schreiber et al.	
2010/0237034	A1	9/2010	Kountotsis	

\* cited by examiner

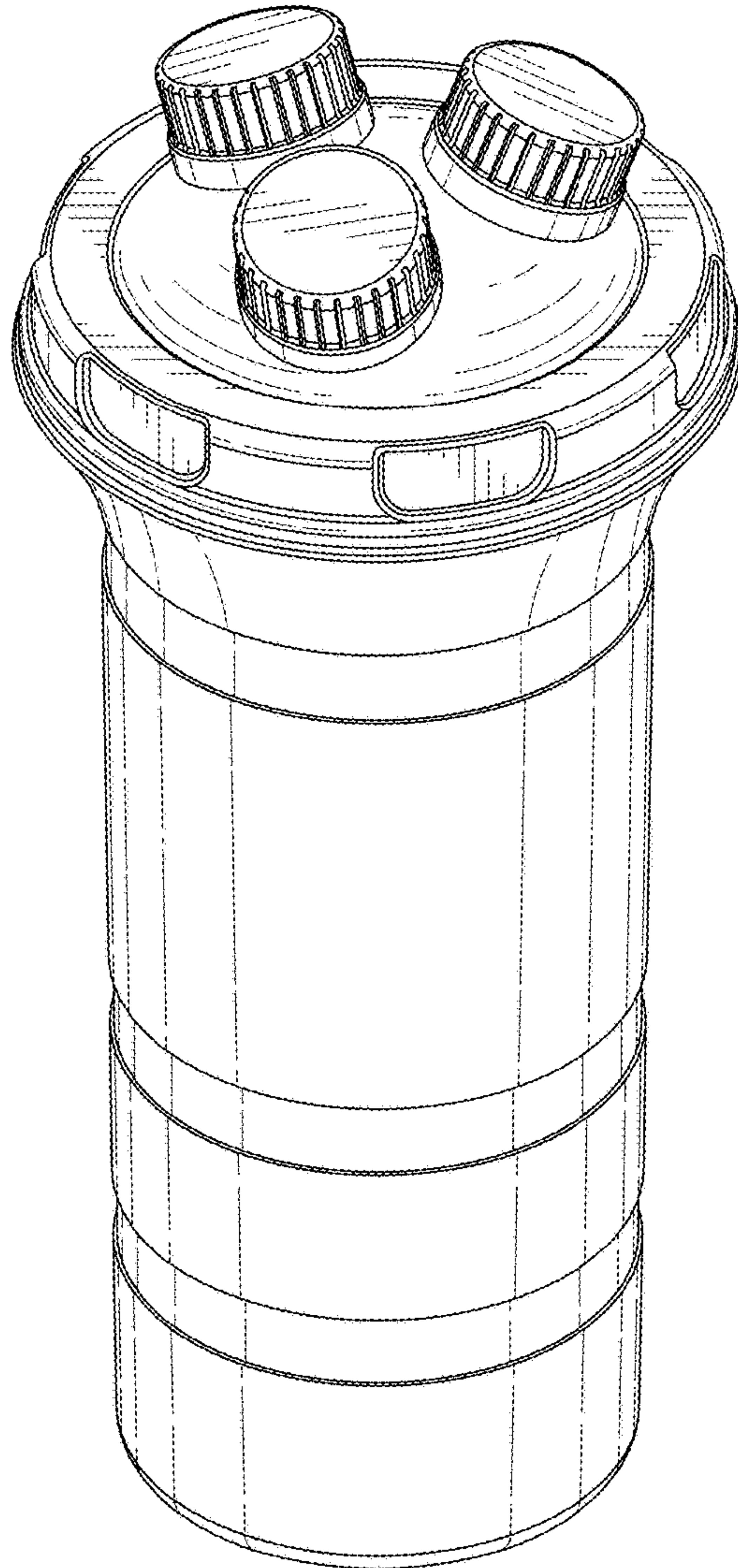


FIG. 1

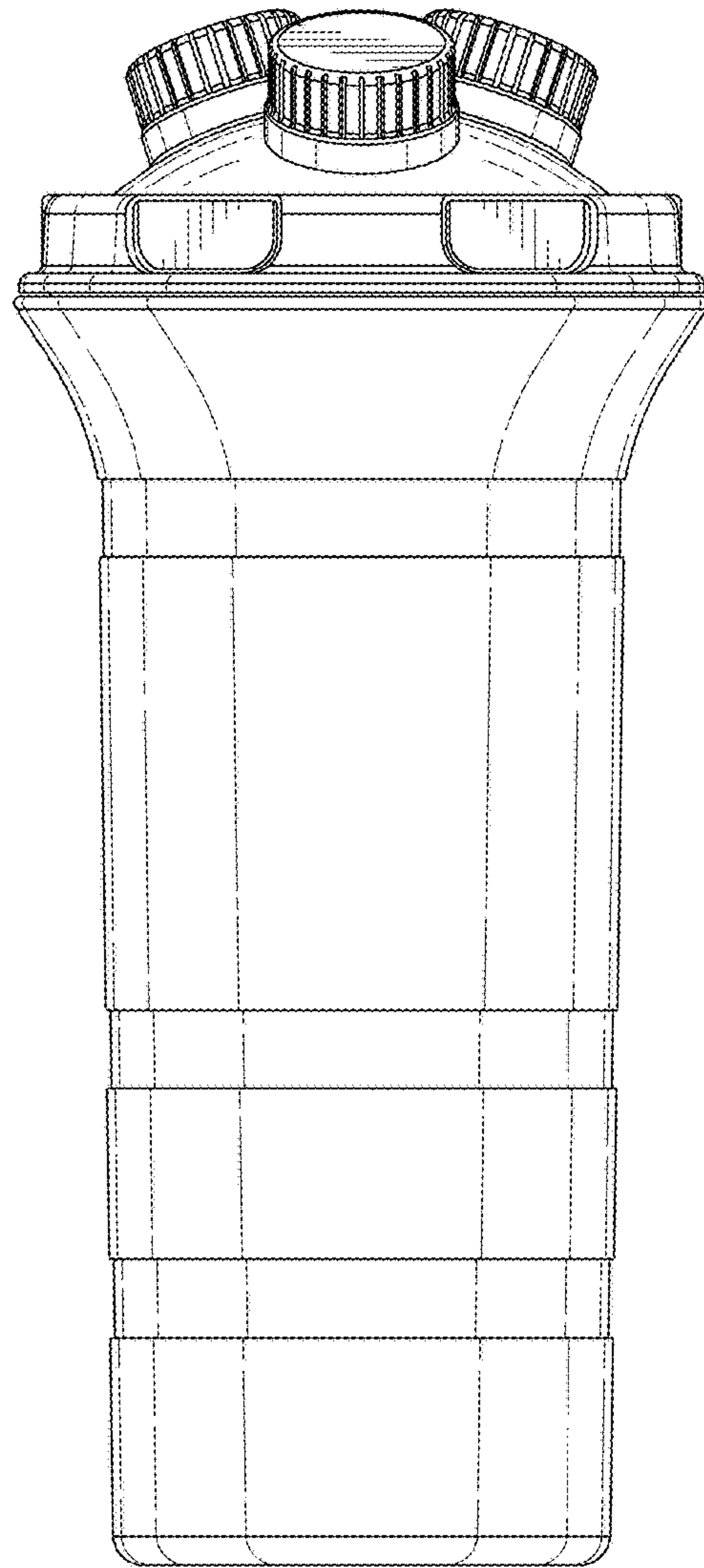


FIG. 2



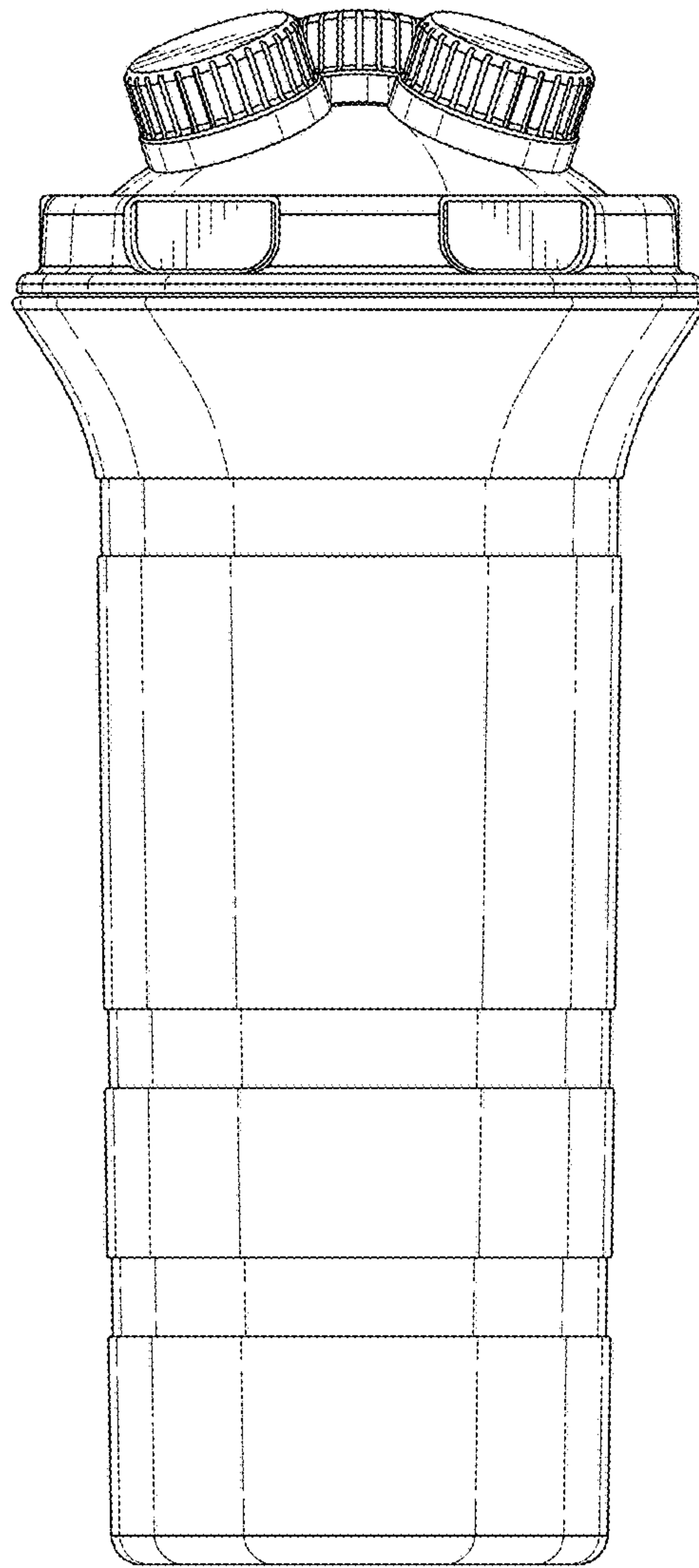


FIG. 3

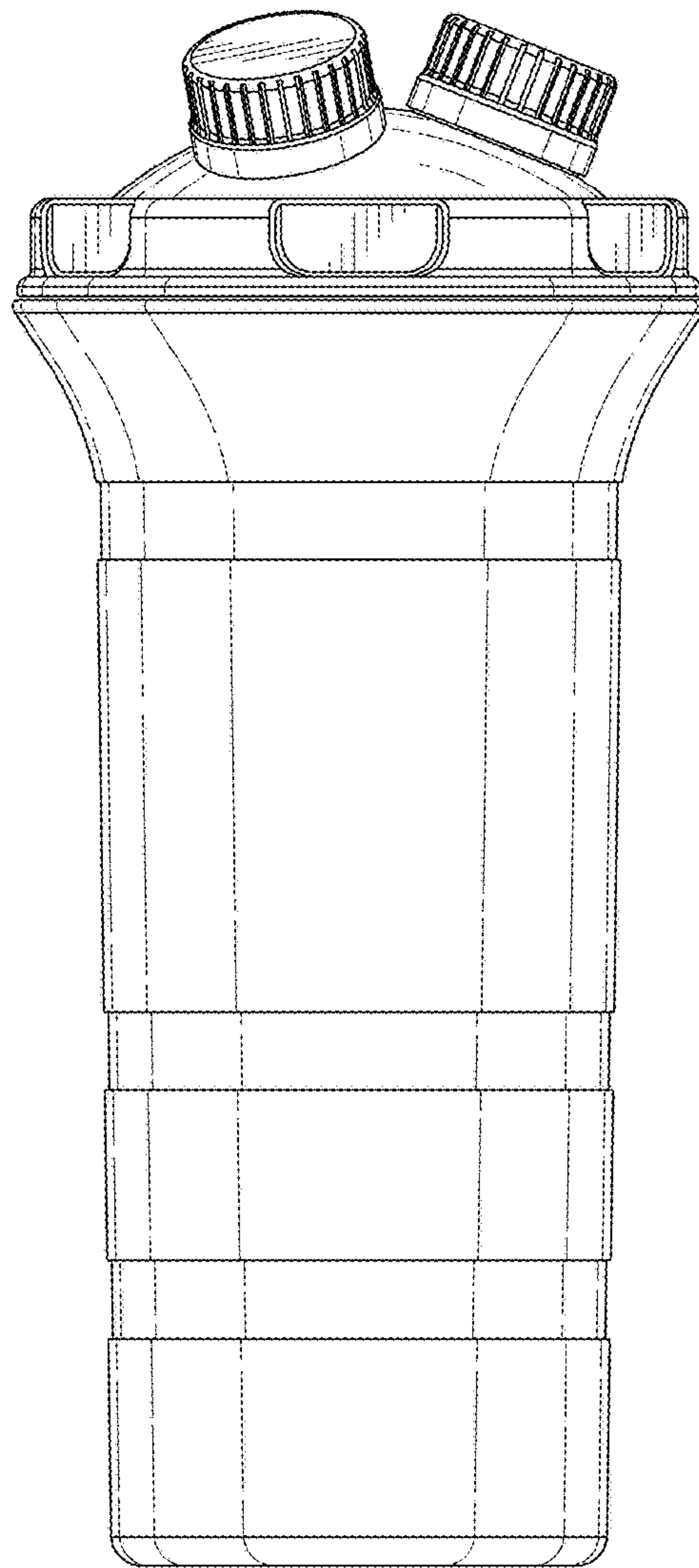


FIG. 4

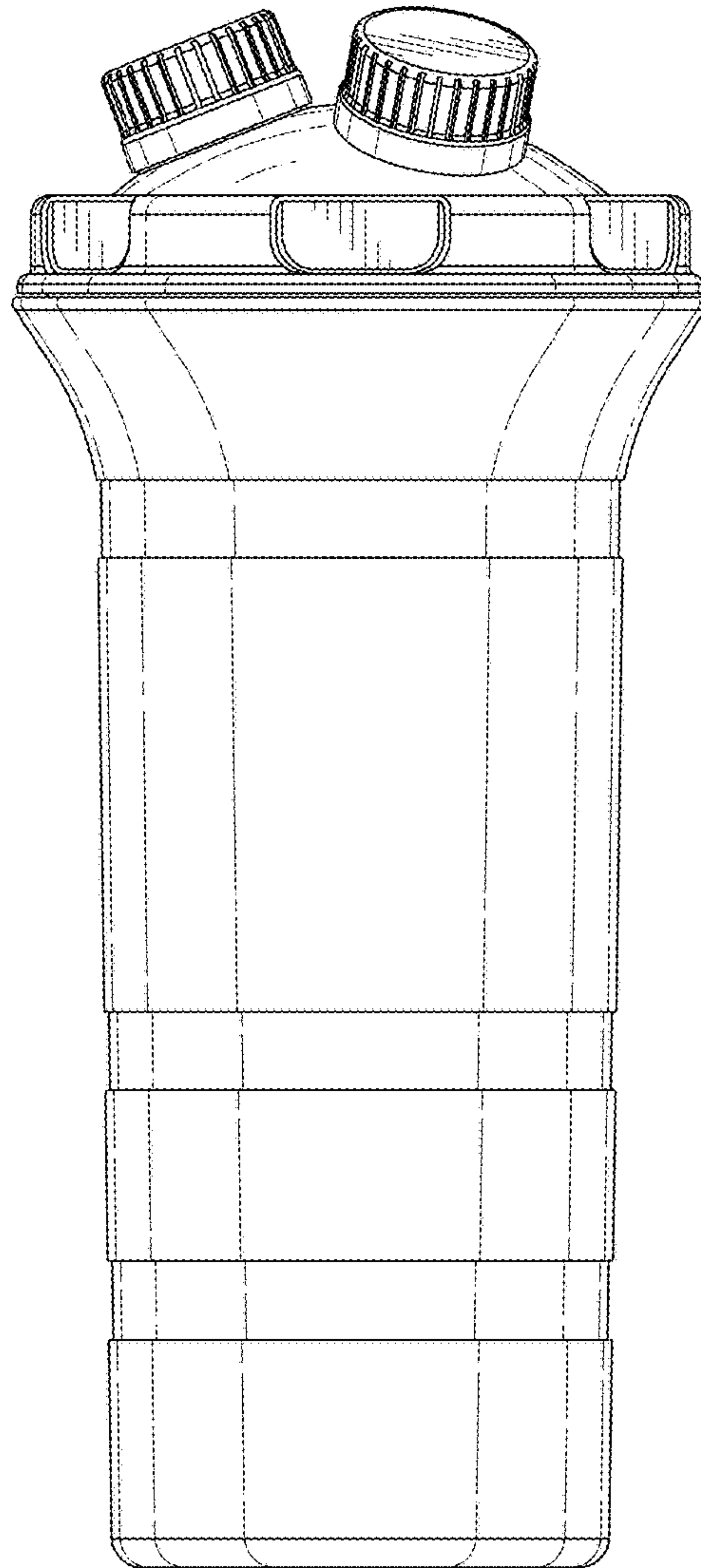


FIG. 5

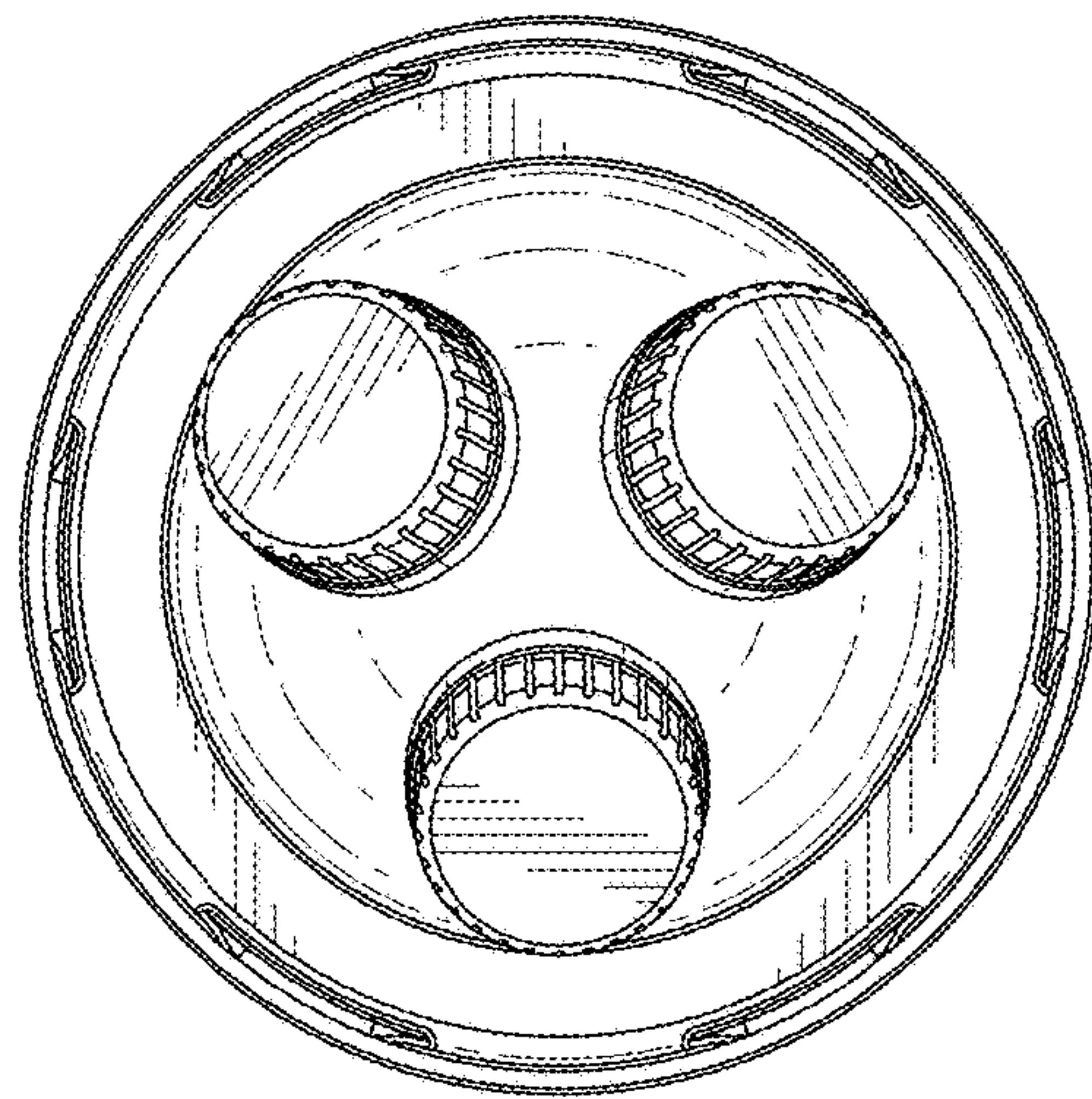


FIG. 6



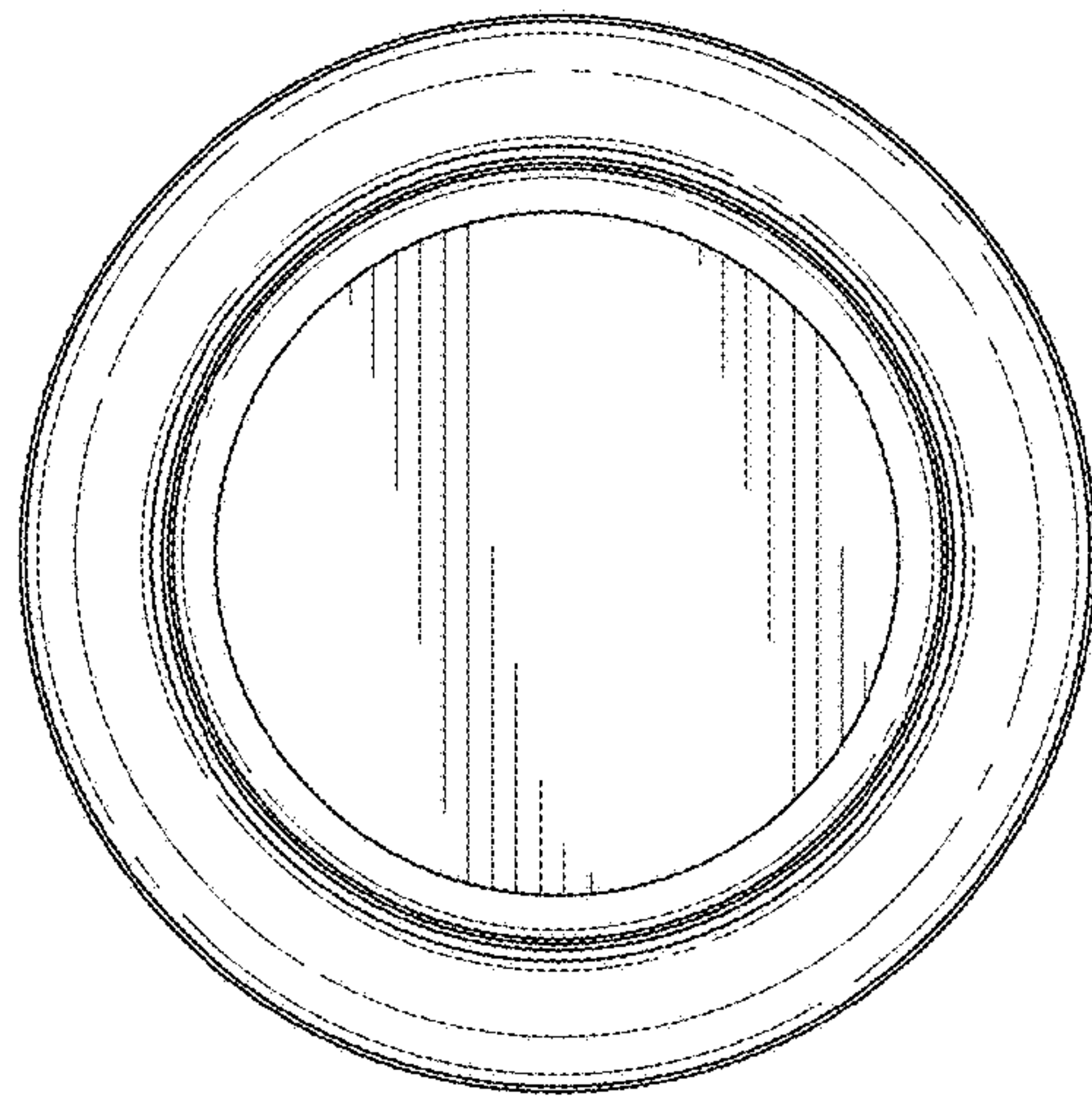


FIG. 7

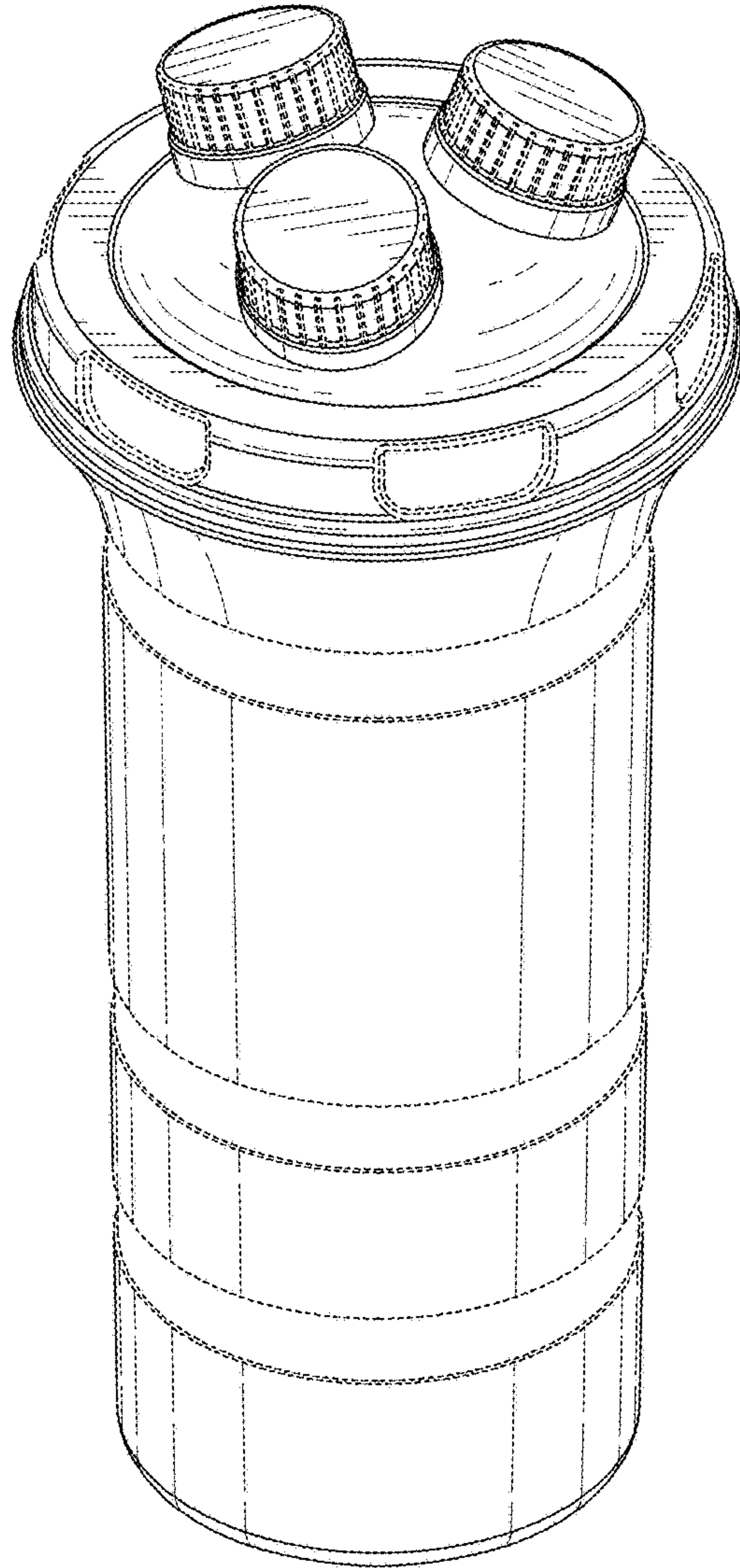


FIG. 8

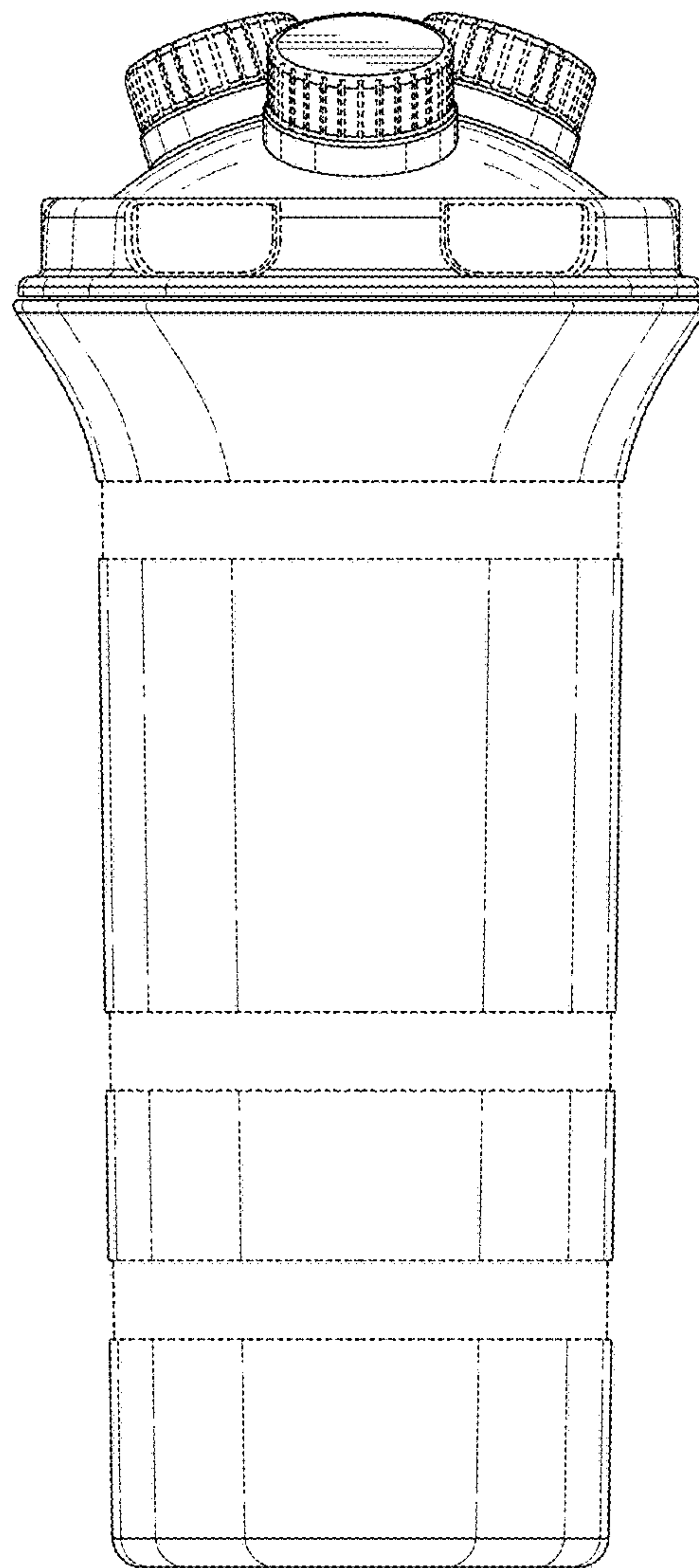


FIG. 9

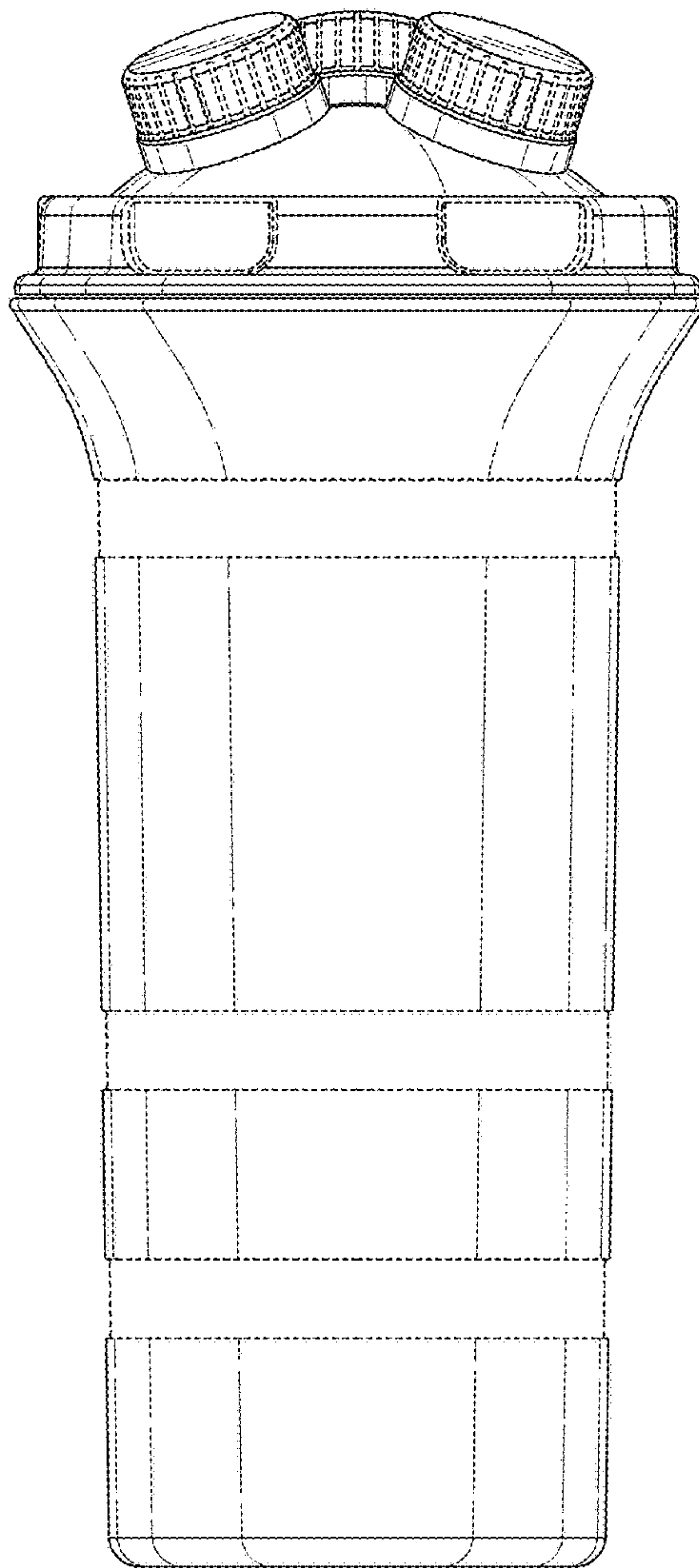


FIG. 10

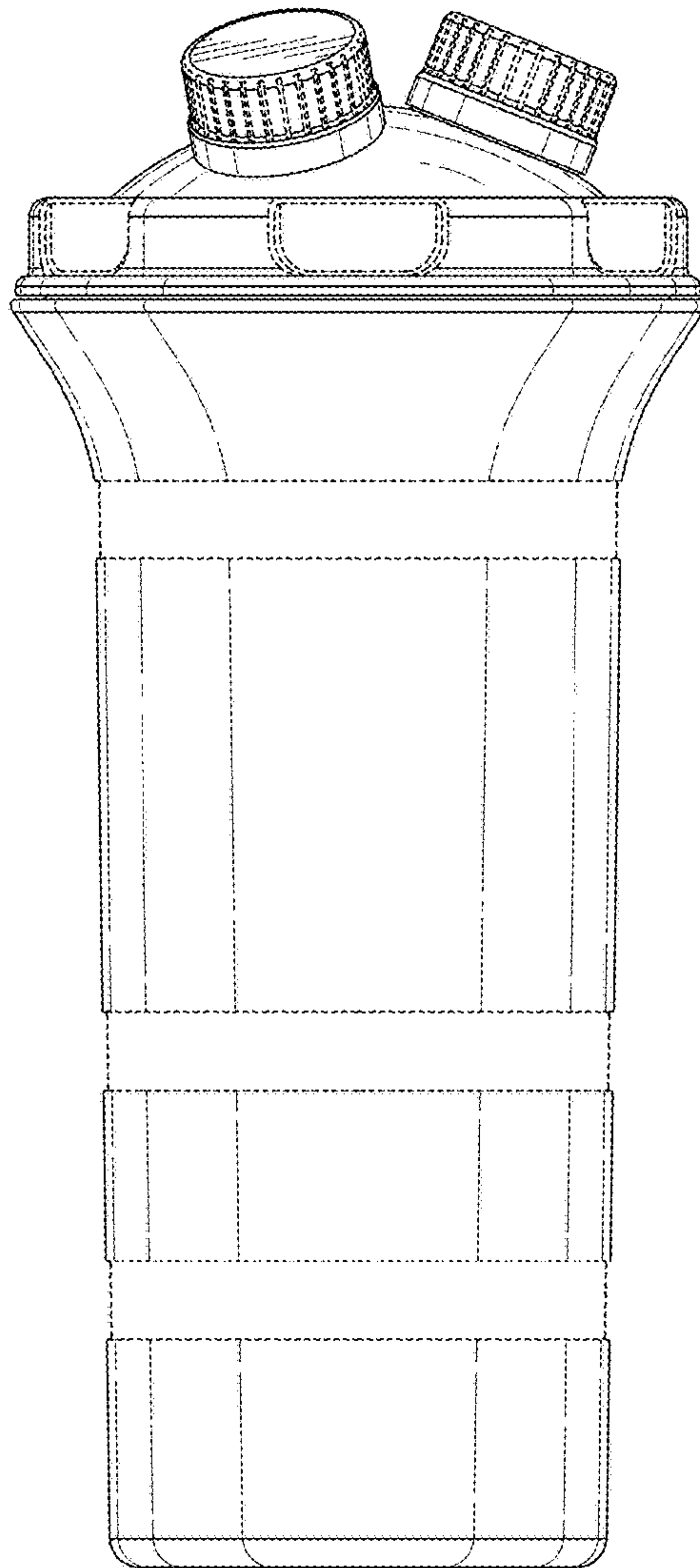


FIG. 11



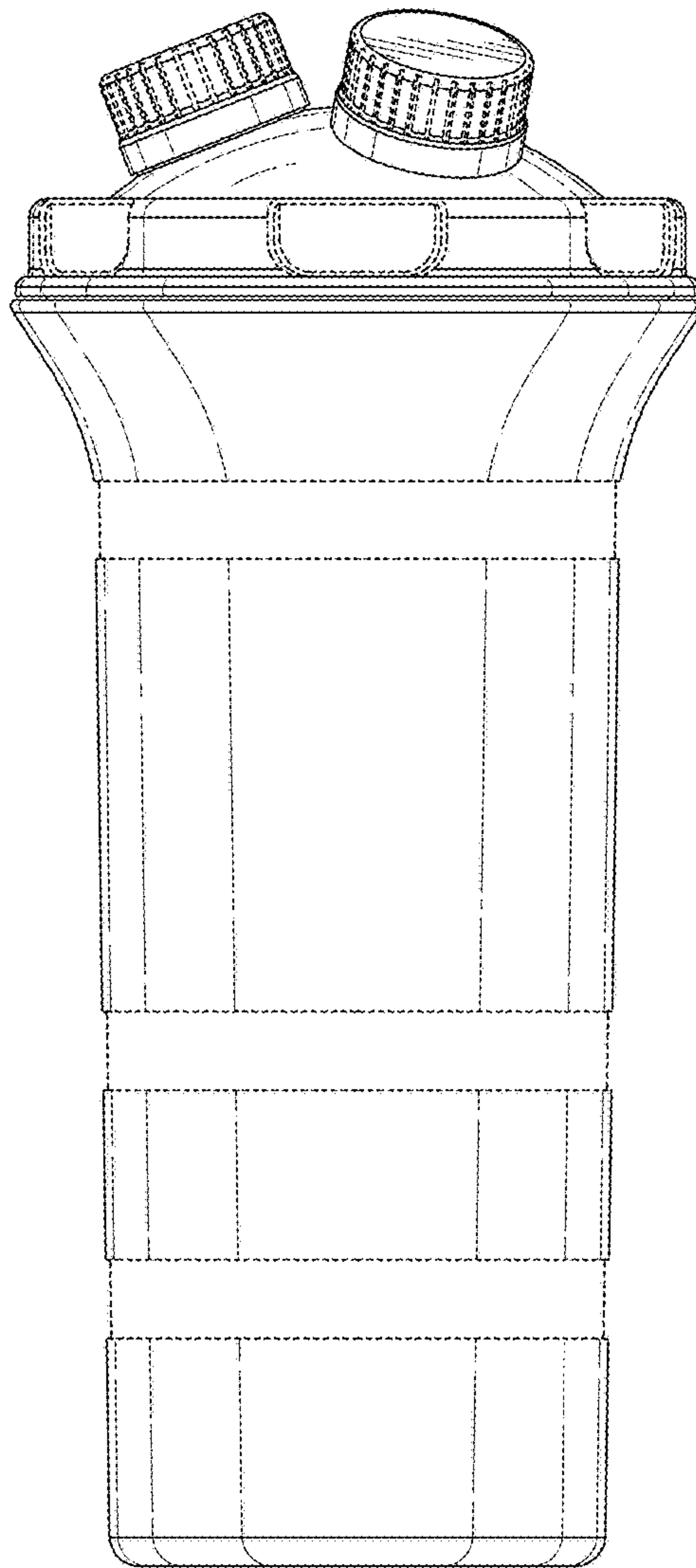


FIG. 12

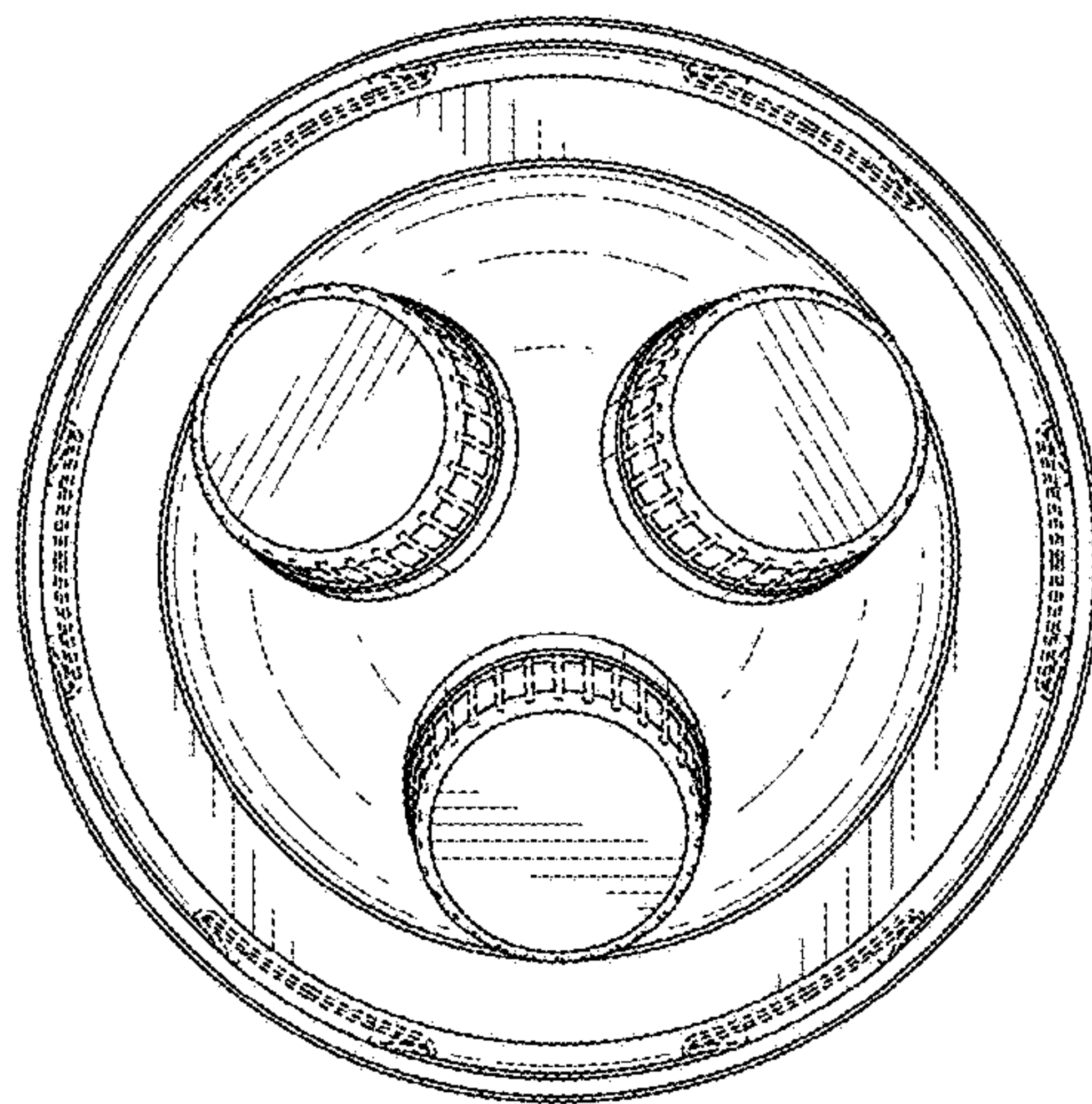


FIG. 13

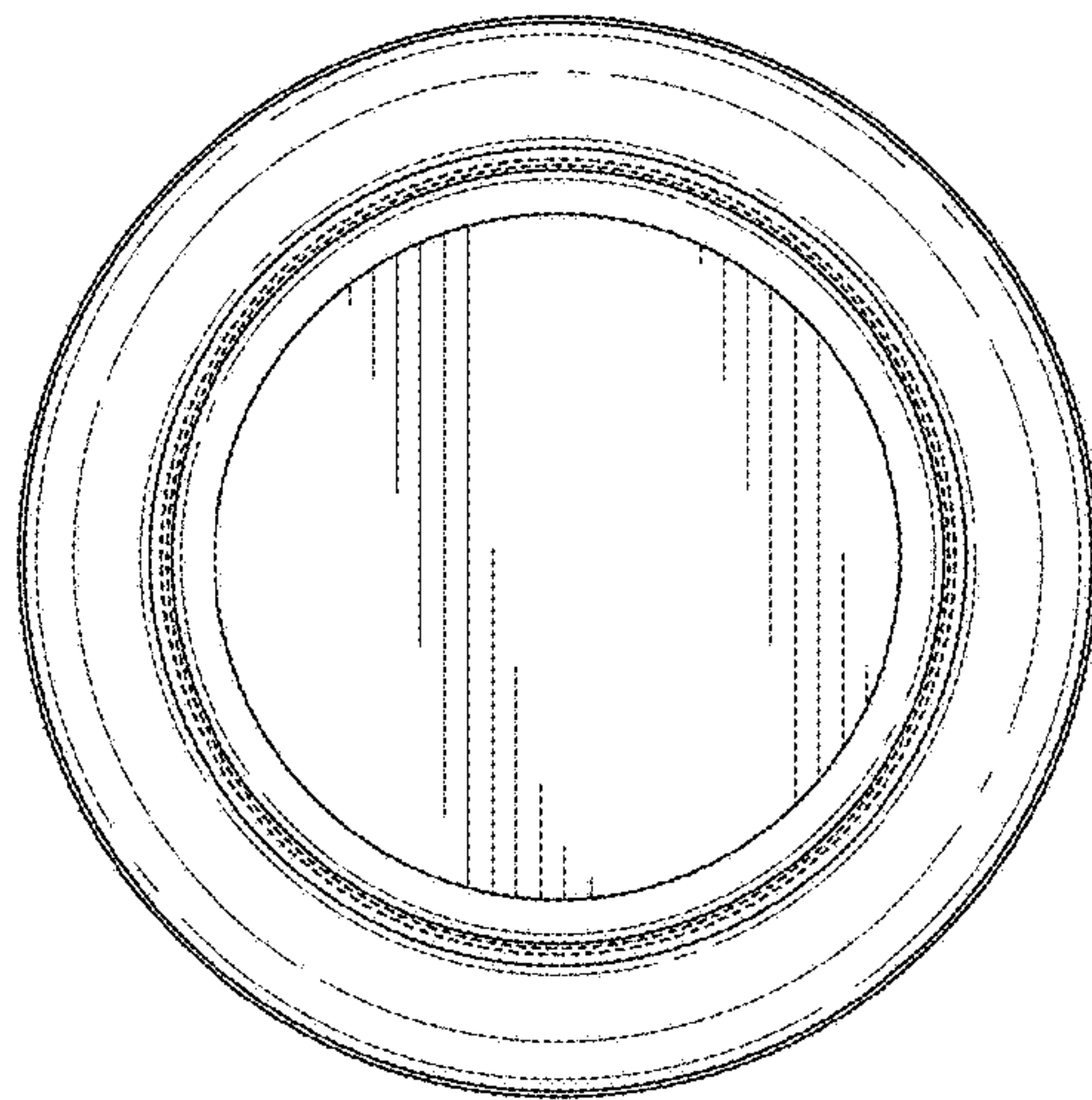


FIG. 14