



US00D871922S

(12) **United States Design Patent**  
**El Beaini**

(10) **Patent No.:** **US D871,922 S**  
(45) **Date of Patent:** **\*\* Jan. 7, 2020**

(54) **DUAL CHAMBERED LIQUID CONTAINER**

(71) Applicant: **Samer Najib El Beaini**, Dubai (AE)

(72) Inventor: **Samer Najib El Beaini**, Dubai (AE)

(\*\*) Term: **15 Years**

(21) Appl. No.: **29/608,740**

(22) Filed: **Jun. 26, 2017**

(51) **LOC (12) Cl.** ..... **09-01**

(52) **U.S. Cl.**

USPC ..... **D9/741; D9/524**

(58) **Field of Classification Search**

USPC ..... D9/737-747, 516, 524-528, 549, 684,  
D9/719, 573-575; D7/509-511, 563,  
D7/573, 590, 513, 300, 308, 312, 315,  
D7/601, 602, 619.1, 622; D3/202;  
220/505, 504, 288, 709, 23.4, 23.8, 23.88,  
220/633, 916, 660, 669; 264/532;  
222/129, 94, 135; 215/6, 10, 216  
CPC ..... B65D 1/04; B65D 1/06; B65D 81/3205;  
B65D 11/04; B65D 21/0201; B65D  
21/0204; B65D 21/0205; B65D 21/0209;  
B65D 25/04; B65D 51/249; B65D  
81/3288; B65D 1/02; B65D 2501/0081;  
B65D 81/3244; B65D 83/40; B65D  
83/68; B65D 81/3222; B65D 23/001;  
B65D 35/22; B65D 47/06; B65D 83/682;  
B65D 15/08; B65D 1/16; B65D 1/48;  
B65D 25/20; B05B 11/0081; B05B 11/30;  
B05B 11/0037; B05B 11/0056; B05B  
11/3081; A47G 2019/122; A61J 1/2093;  
A45F 3/20

See application file for complete search history.

(56) **References Cited**

**U.S. PATENT DOCUMENTS**

5,884,796 A \* 3/1999 Hallmark ..... A47J 41/02  
220/23.88  
6,237,800 B1 \* 5/2001 Barrett ..... A01K 7/00  
215/312

D542,139 S \* 5/2007 Welter ..... D9/520  
D602,781 S \* 10/2009 Balkum ..... D9/449  
D605,522 S \* 12/2009 Jaeger ..... D9/449  
D673,048 S \* 12/2012 Waite ..... D9/447  
D705,288 S \* 5/2014 Zimmerman ..... D15/150

(Continued)

*Primary Examiner* — W. A. Teddy Falloway

(74) *Attorney, Agent, or Firm* — Ashok Tankha

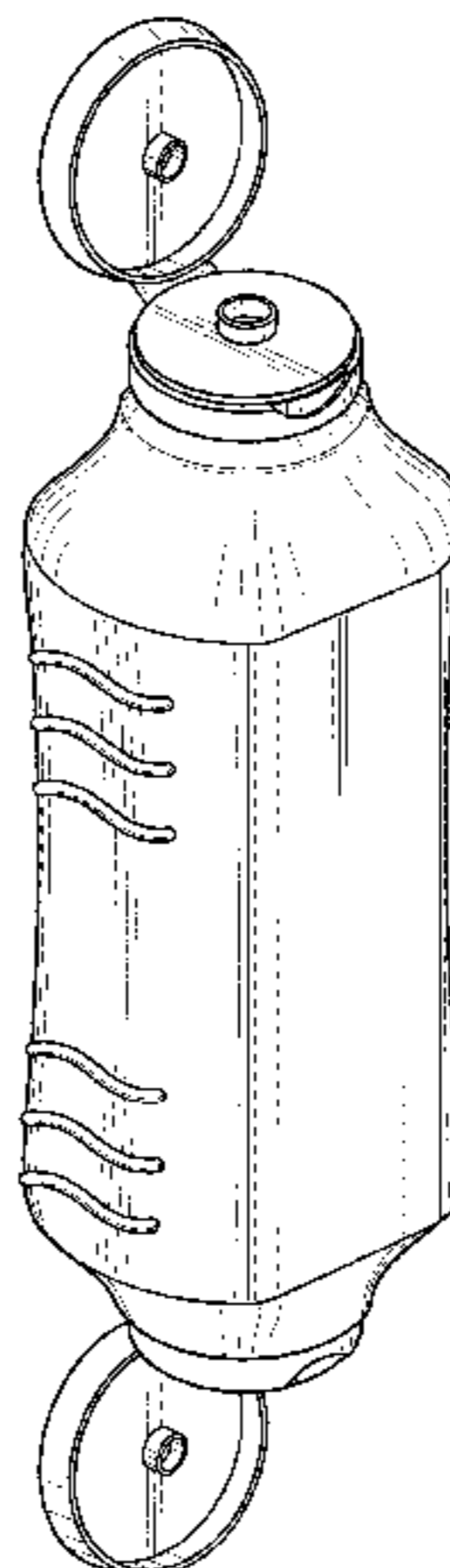
(57) **CLAIM**

The ornamental design for a dual chambered liquid container, as shown and described.

**DESCRIPTION**

FIG. 1 is a top front perspective view of an ornamental design for a dual chambered liquid container with caps in a closed position;  
FIG. 2 is a top rear perspective view thereof;  
FIG. 3 is a front elevation view thereof;  
FIG. 4 is a rear elevation view thereof;  
FIG. 5 is a right side elevation view thereof;  
FIG. 6 is a left side elevation view thereof;  
FIG. 7 is a bottom view thereof;  
FIG. 8 is a top plan view thereof;  
FIG. 9 is a sectional view of the dual chambered liquid container shown in FIG. 3, taken along a section line A-A in FIG. 8;  
FIG. 10 is a top perspective view thereof, with the caps in an open position;  
FIG. 11 is a bottom perspective view thereof, with the caps in the open position;  
FIG. 12 is a partially exploded, front elevation view thereof, with the caps in the open position;  
FIG. 13 is a partially exploded, right side elevation view thereof, with the caps in the open position;  
FIG. 14 is a top plan view thereof, with the caps in the open position; and,  
FIG. 15 is a bottom view thereof, with the caps in the open position.

**1 Claim, 13 Drawing Sheets**



(56)

**References Cited**

U.S. PATENT DOCUMENTS

D760,601 S \* 7/2016 Bochner ..... D9/542  
D761,665 S \* 7/2016 Bahtuoh ..... D9/741  
D846,995 S \* 4/2019 El Beaini ..... D9/684  
2005/0098527 A1\* 5/2005 Yates, III ..... B29C 49/0073  
215/6  
2009/0223999 A1\* 9/2009 Hill ..... B65D 1/04  
222/129  
2013/0134161 A1\* 5/2013 Fogel ..... B65D 21/0209  
220/23.83

\* cited by examiner

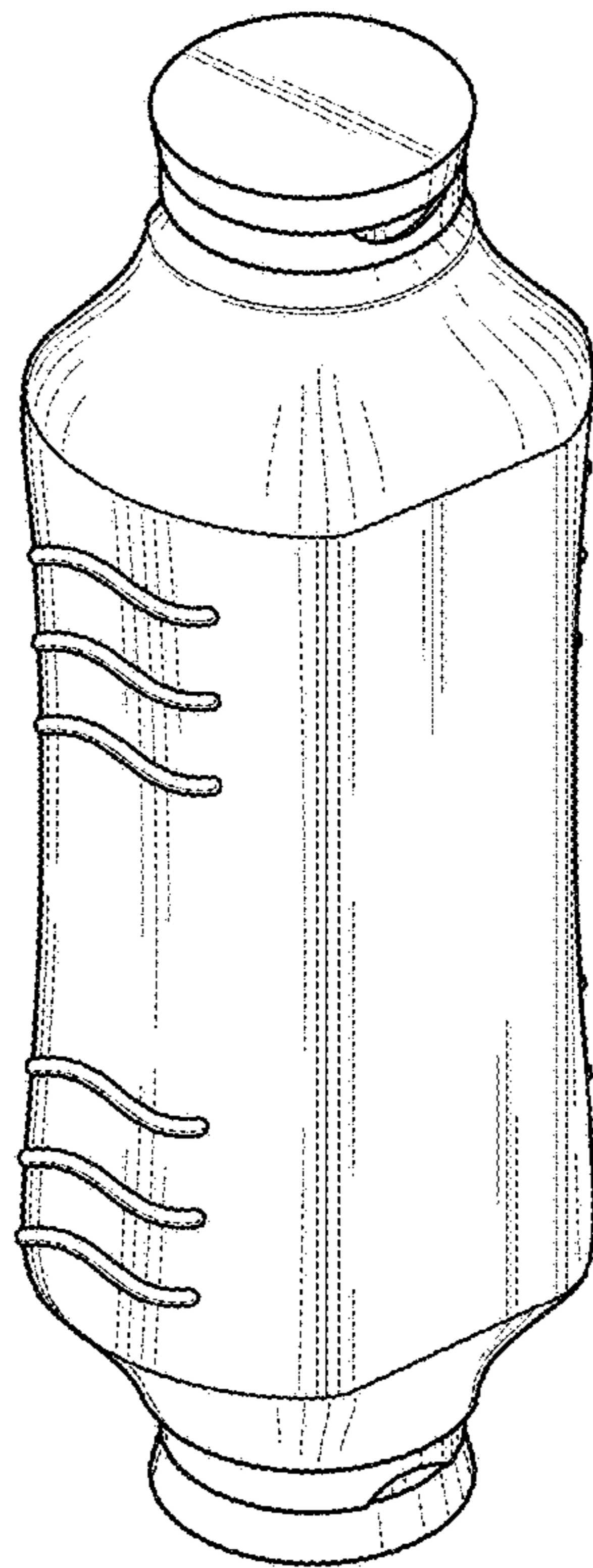


FIG. 1

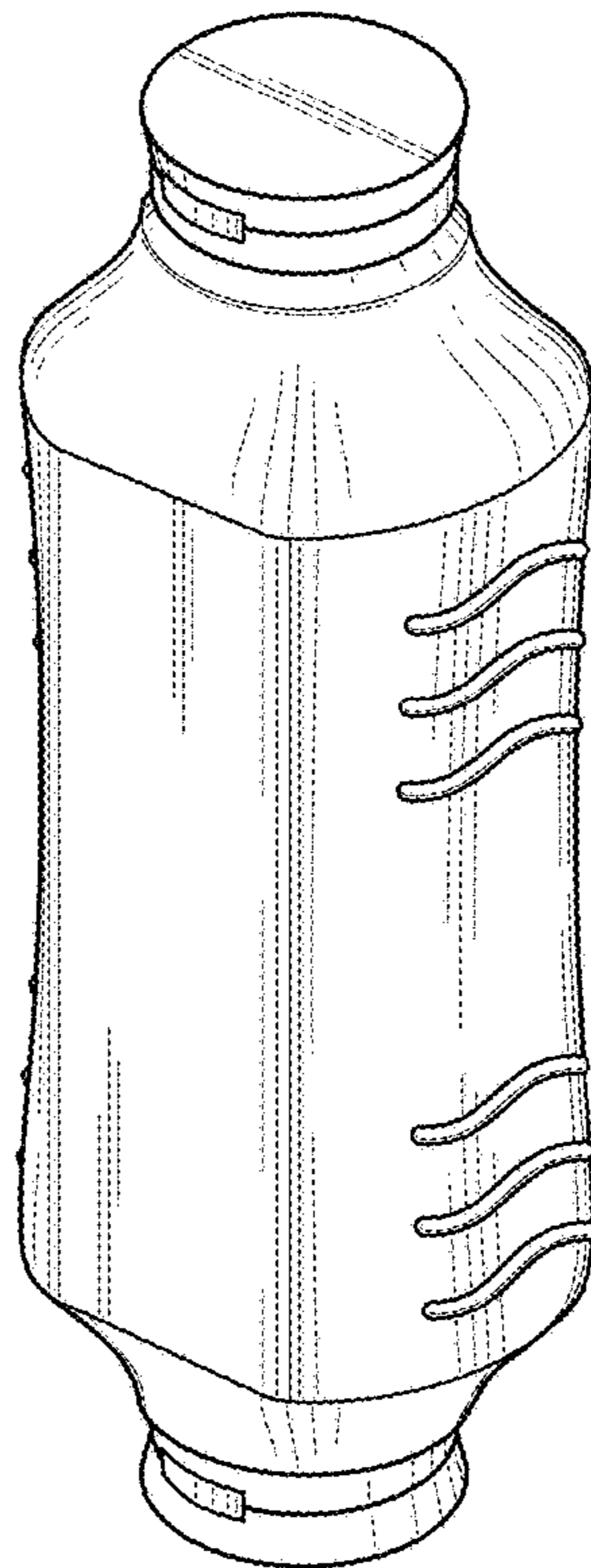


FIG. 2

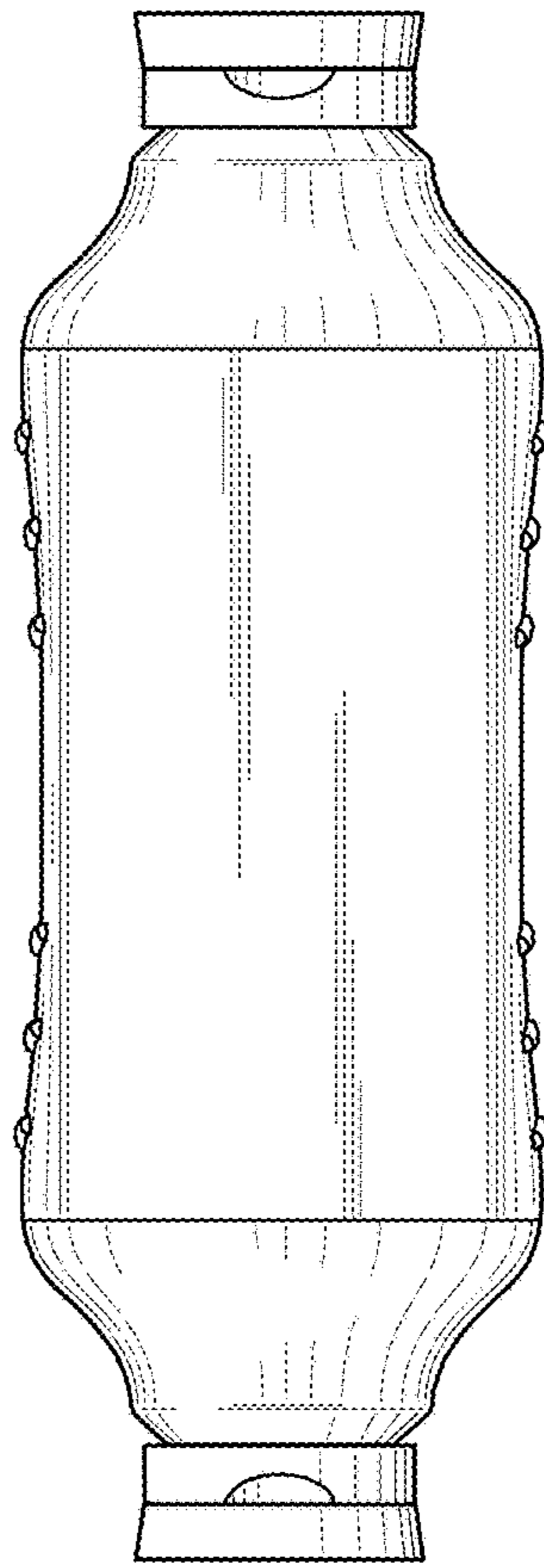


FIG. 3

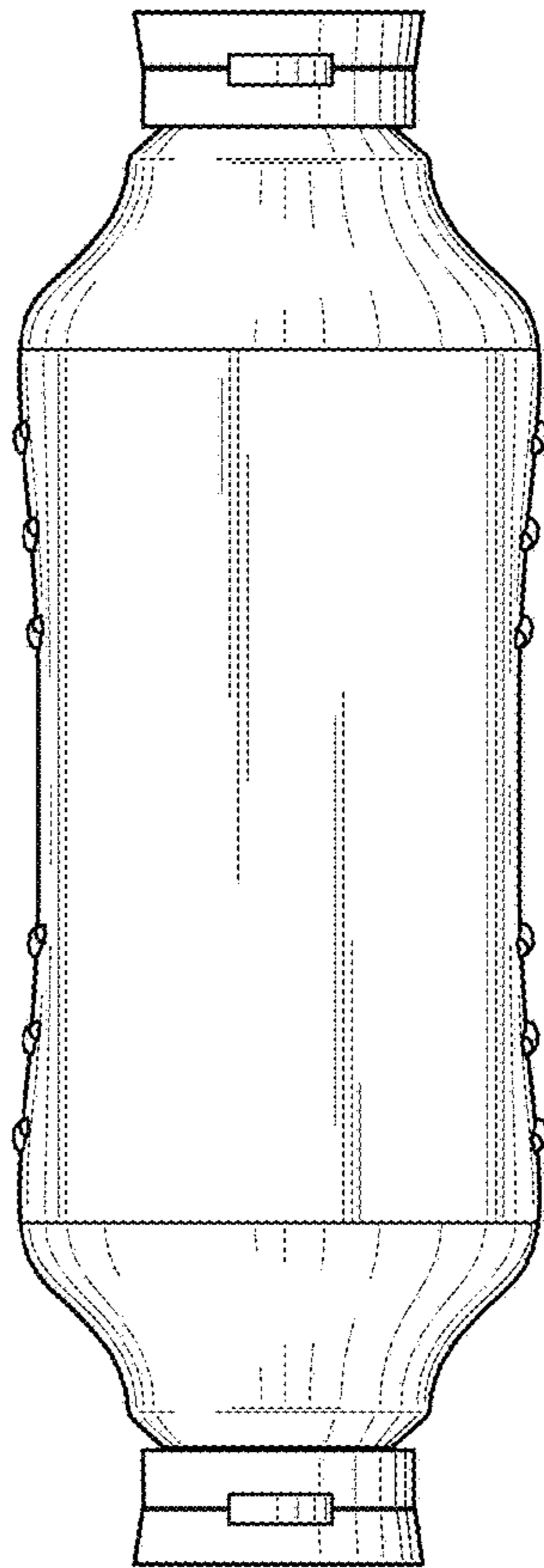


FIG. 4

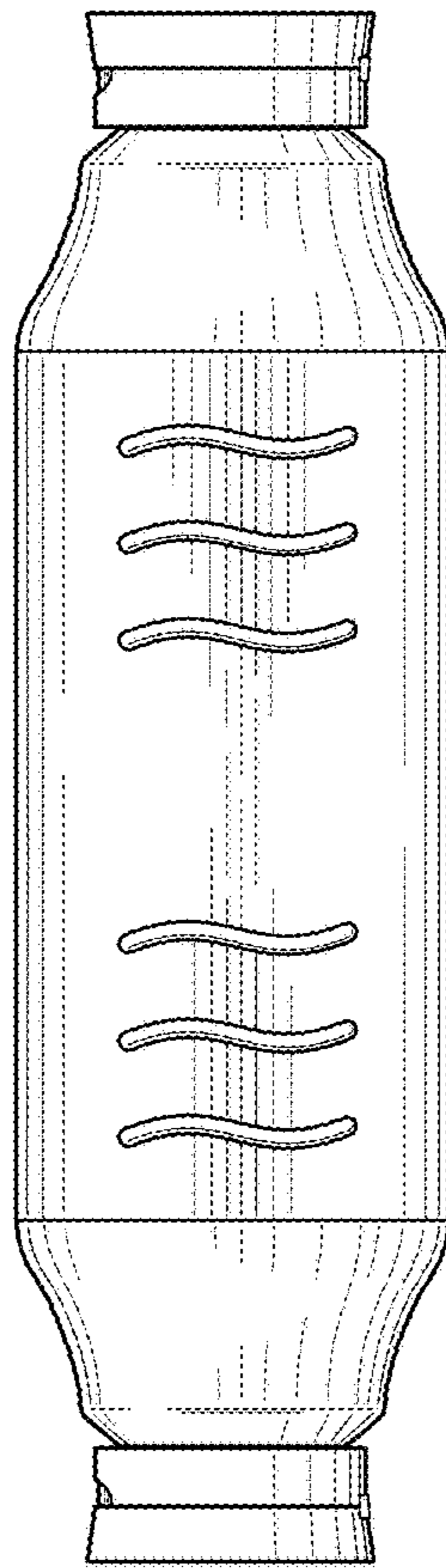


FIG. 5

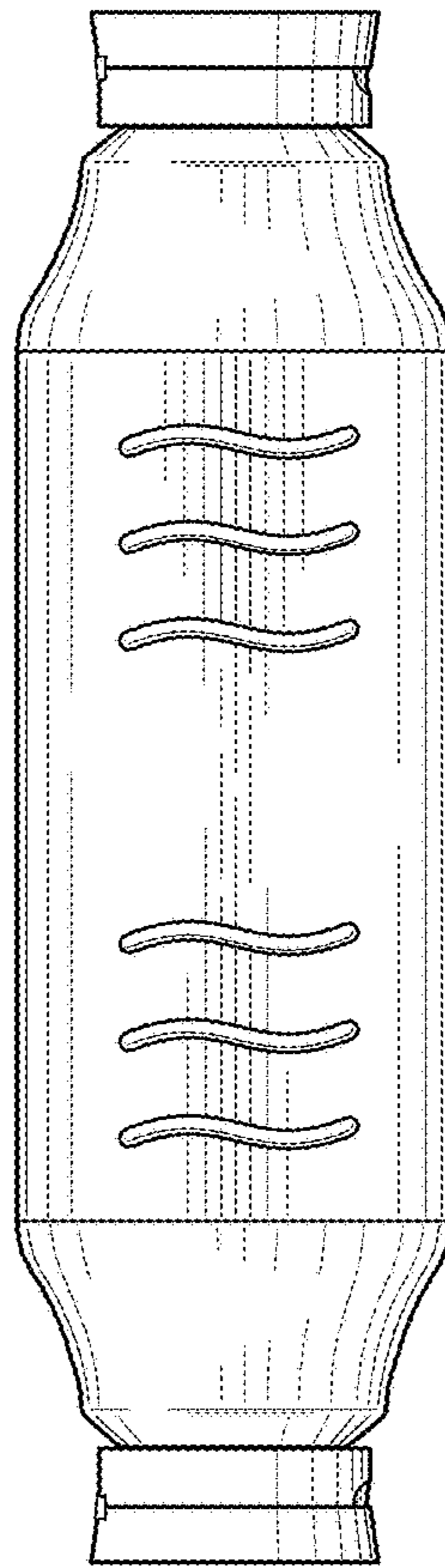


FIG. 6



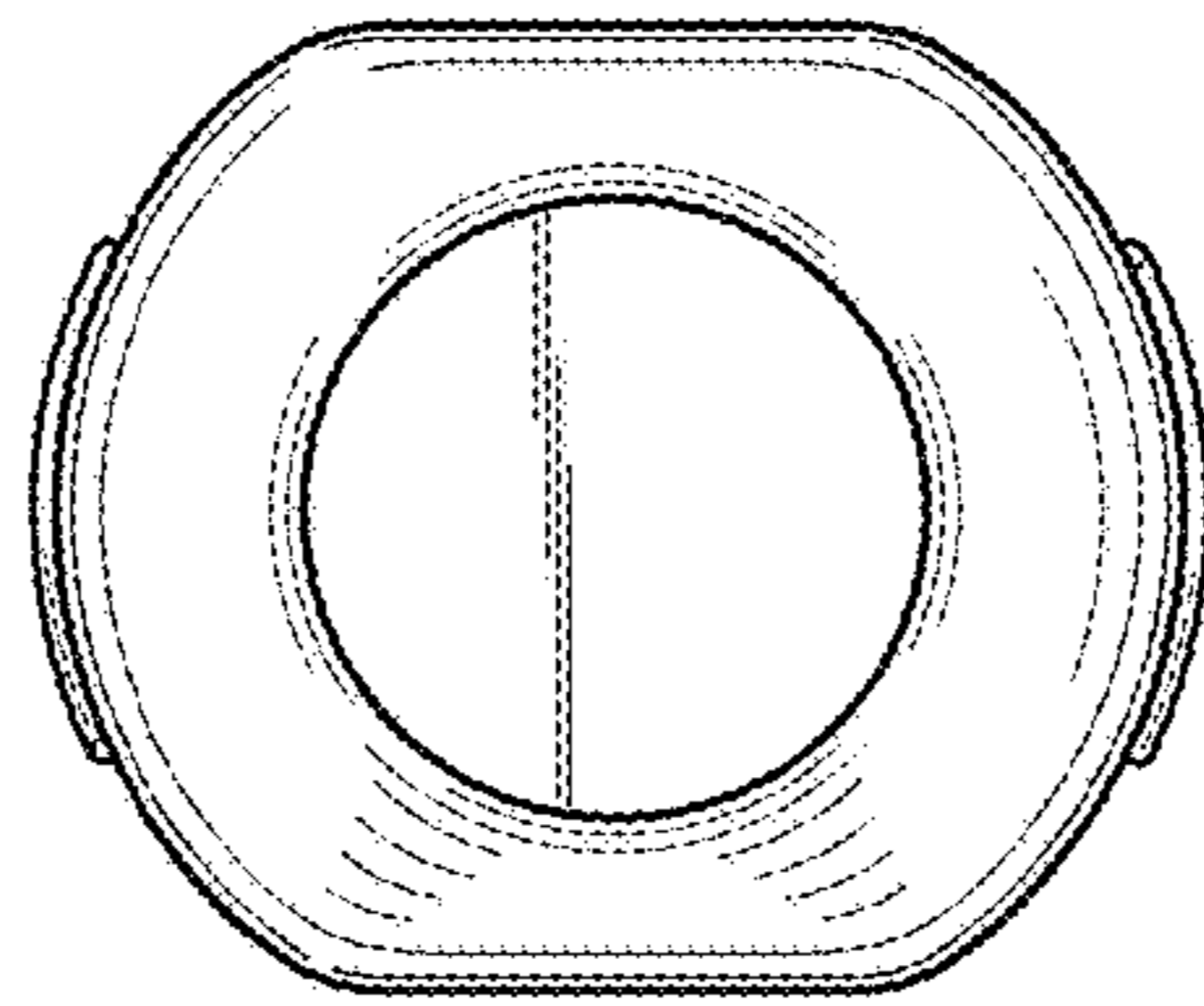


FIG. 7

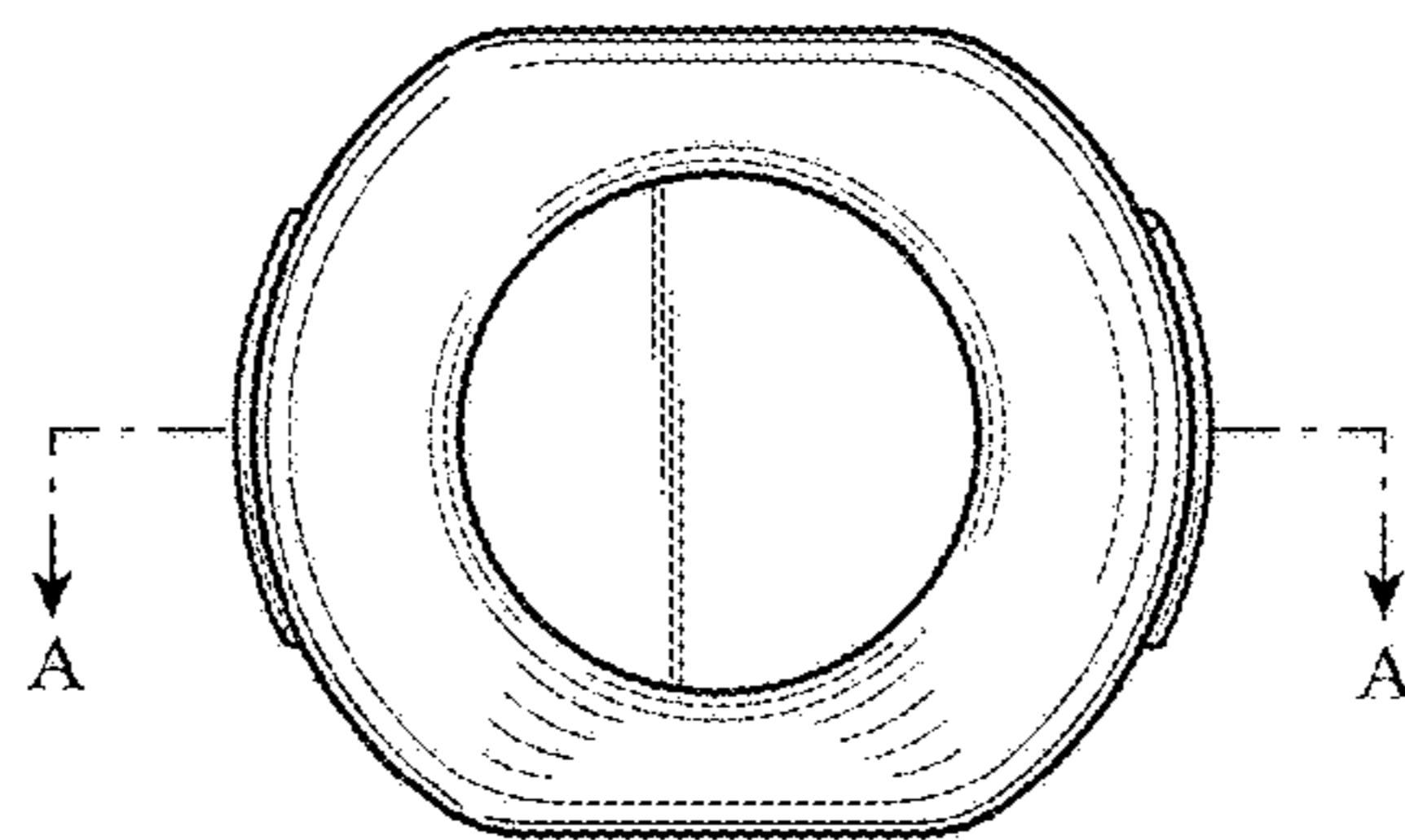


FIG. 8

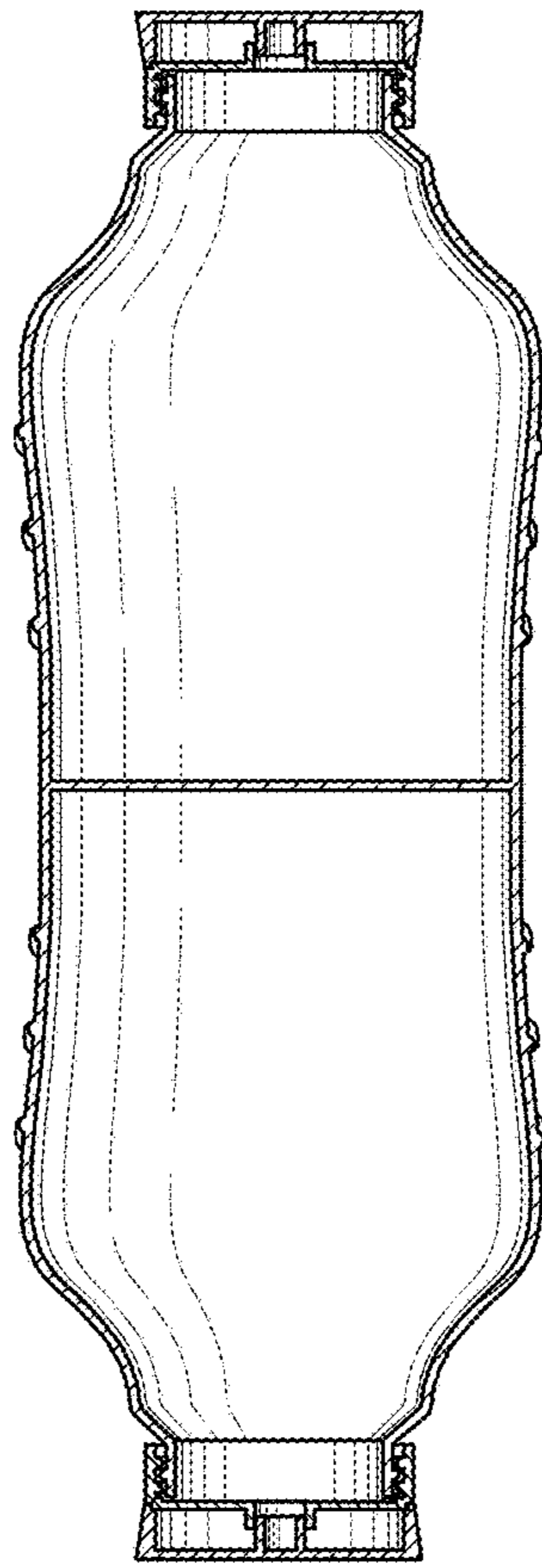


FIG. 9

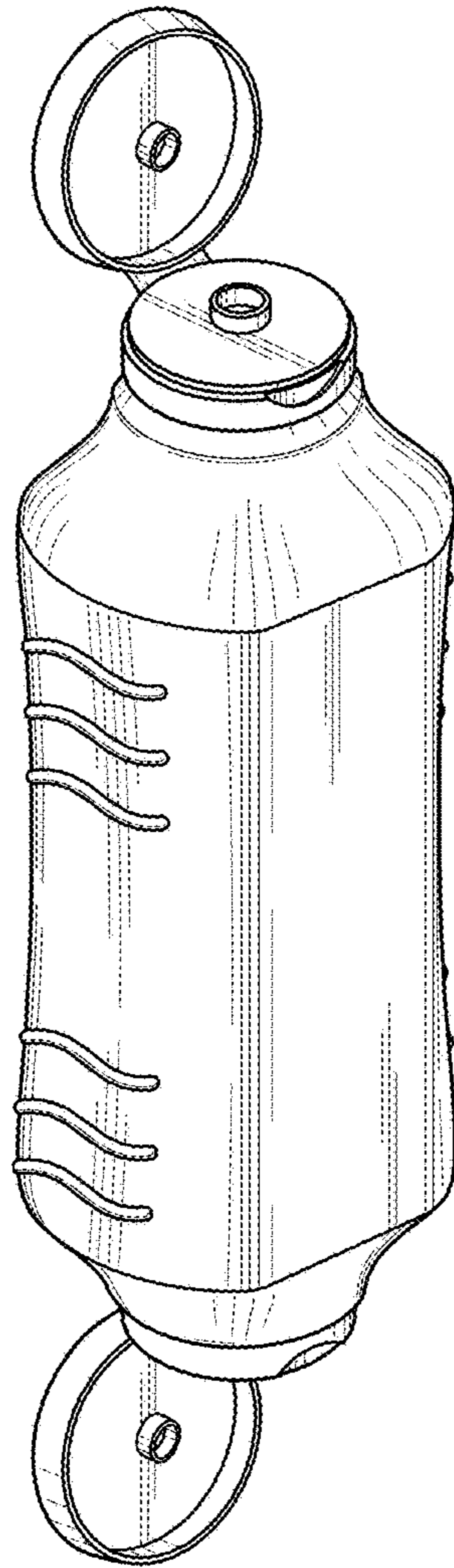


FIG. 10

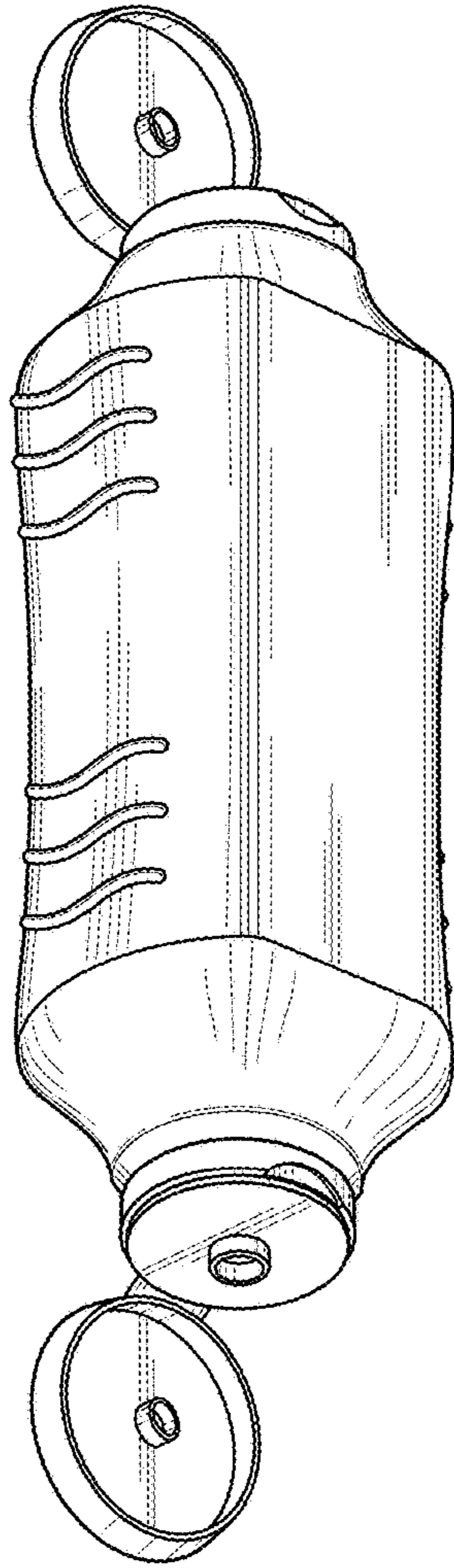


FIG. 11

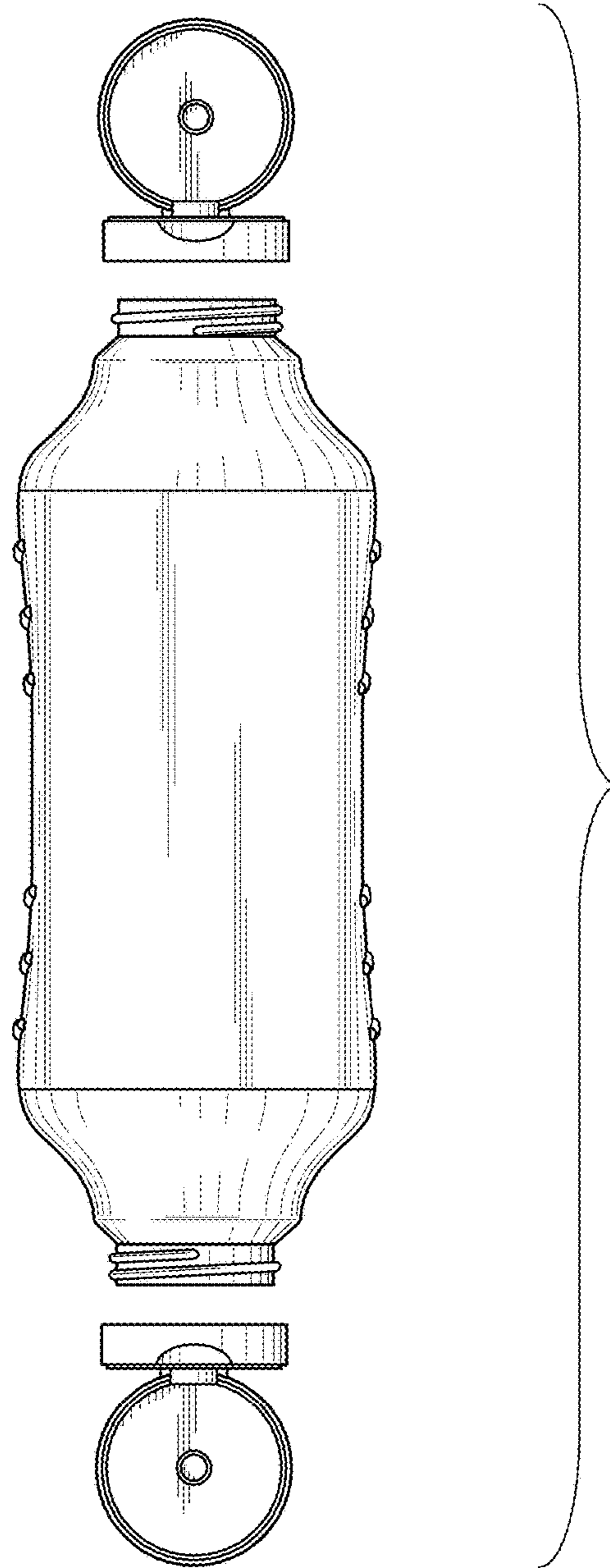


FIG. 12

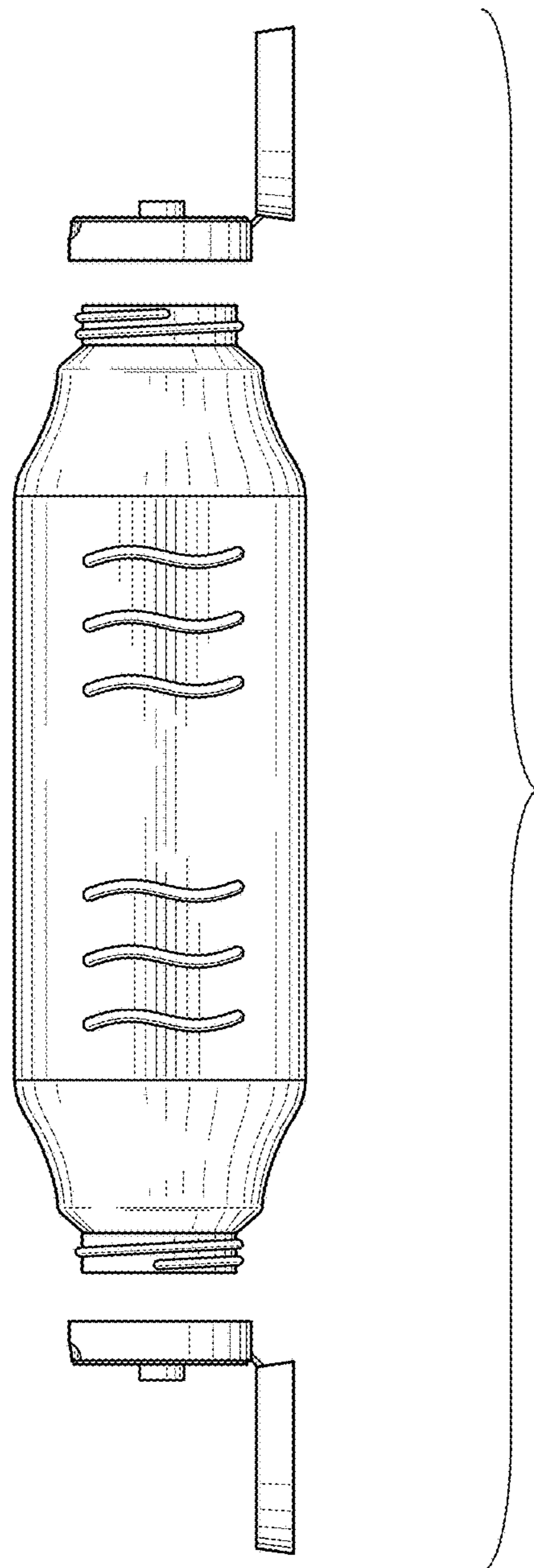


FIG. 13

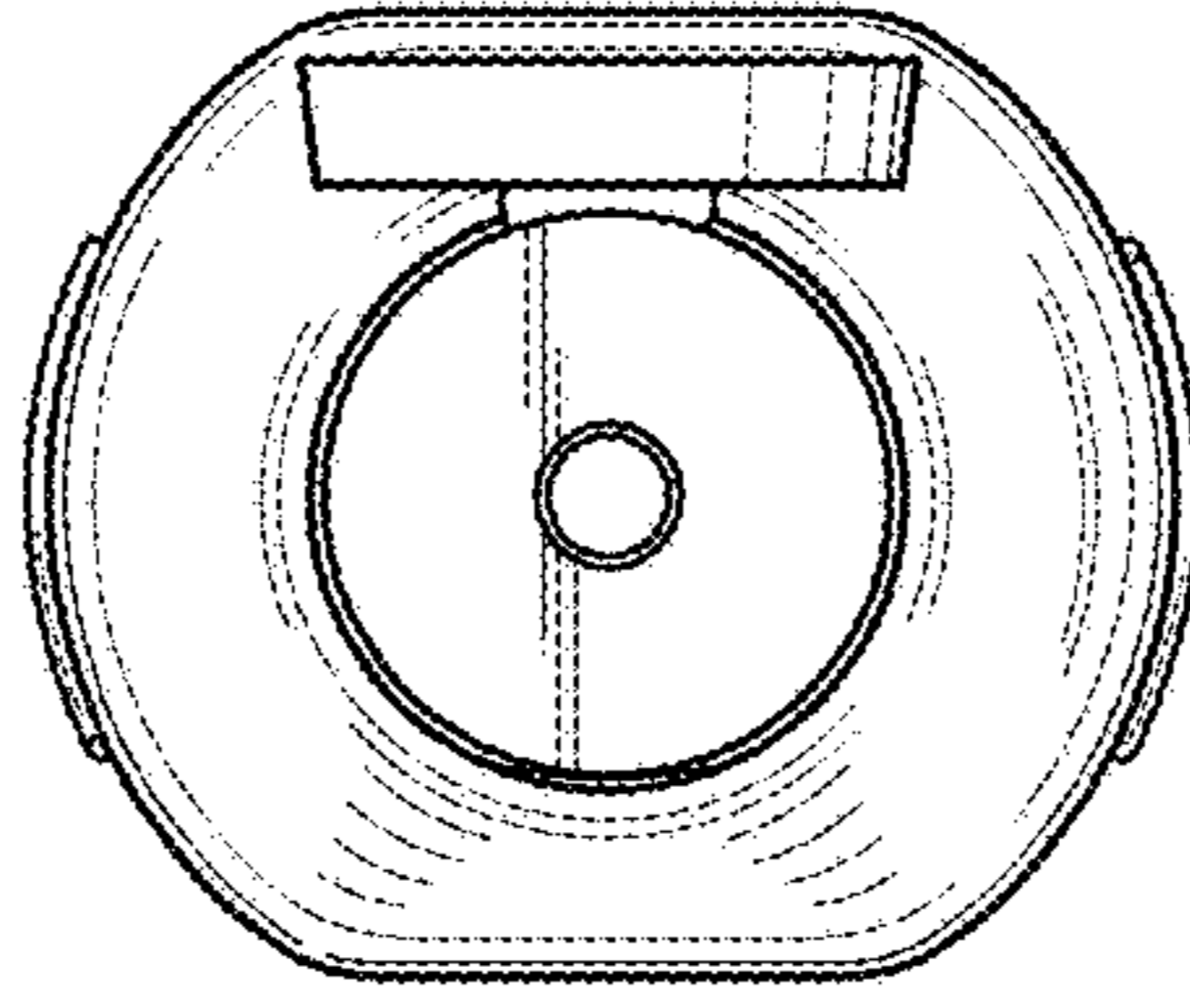


FIG. 14

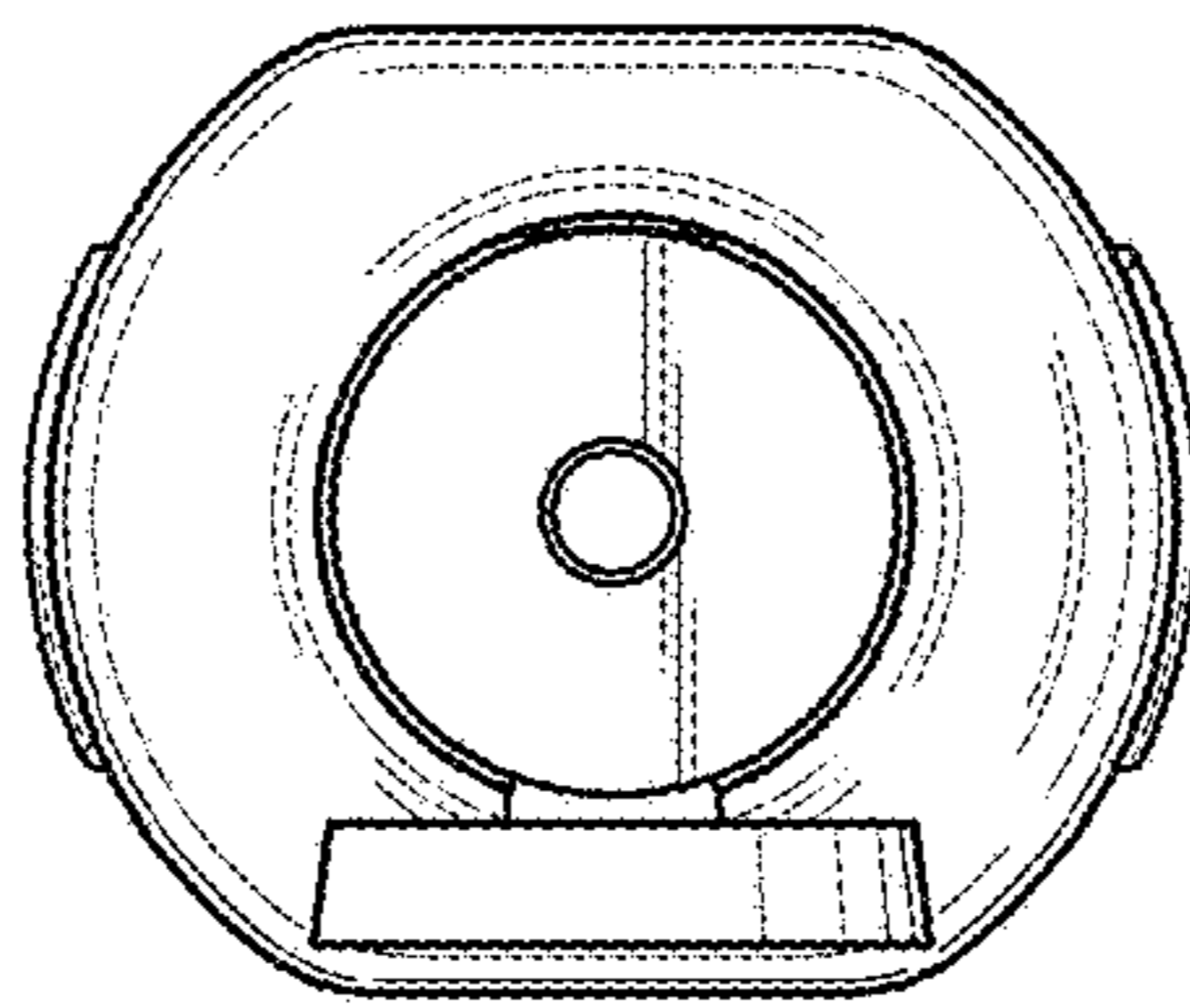


FIG. 15