



US00D871918S

(12) **United States Design Patent**
Billen

(10) **Patent No.:** **US D871,918 S**
(45) **Date of Patent:** **** Jan. 7, 2020**

- (54) **LION ANIMAL TRAY**
- (71) Applicant: **Kid Stuff Marketing, Inc.**, Topeka, KS (US)
- (72) Inventor: **William D. Billen**, Topeka, KS (US)
- (73) Assignee: **Kid Stuff Marketing, Inc.**, Topeka, KS (US)
- (**) Term: **15 Years**
- (21) Appl. No.: **29/655,767**
- (22) Filed: **Jul. 6, 2018**
- (51) **LOC (12) Cl.** **09-01**
- (52) **U.S. Cl.**
USPC **D9/611**; D9/433
- (58) **Field of Classification Search**
USPC D3/270, 271.1–271.4; D9/600–612,
D9/414–434; 206/457, 459.5, 527;
215/381–384, 400; 229/116.1, 150, 153;
D7/514–519, 594, 599, 604, 613, 623,
D7/625, 628; D21/617–618
CPC B65D 5/42; B65D 5/4208; B65D 5/4258;
B65D 81/30; B65D 81/60; B65D 81/365;
B65D 81/366; B65D 81/368; B65D
2203/00; B65D 2203/02; B65D 67/00;
B65D 5/75; B65D 71/16; B65D 71/20;
A63H 81/16; A63H 3/08
See application file for complete search history.

- (56) **References Cited**
U.S. PATENT DOCUMENTS
D138,832 S * 9/1944 Poe D7/613
D178,931 S * 10/1956 Perkins D9/603
3,861,279 A * 1/1975 Maling A63H 33/16
493/343

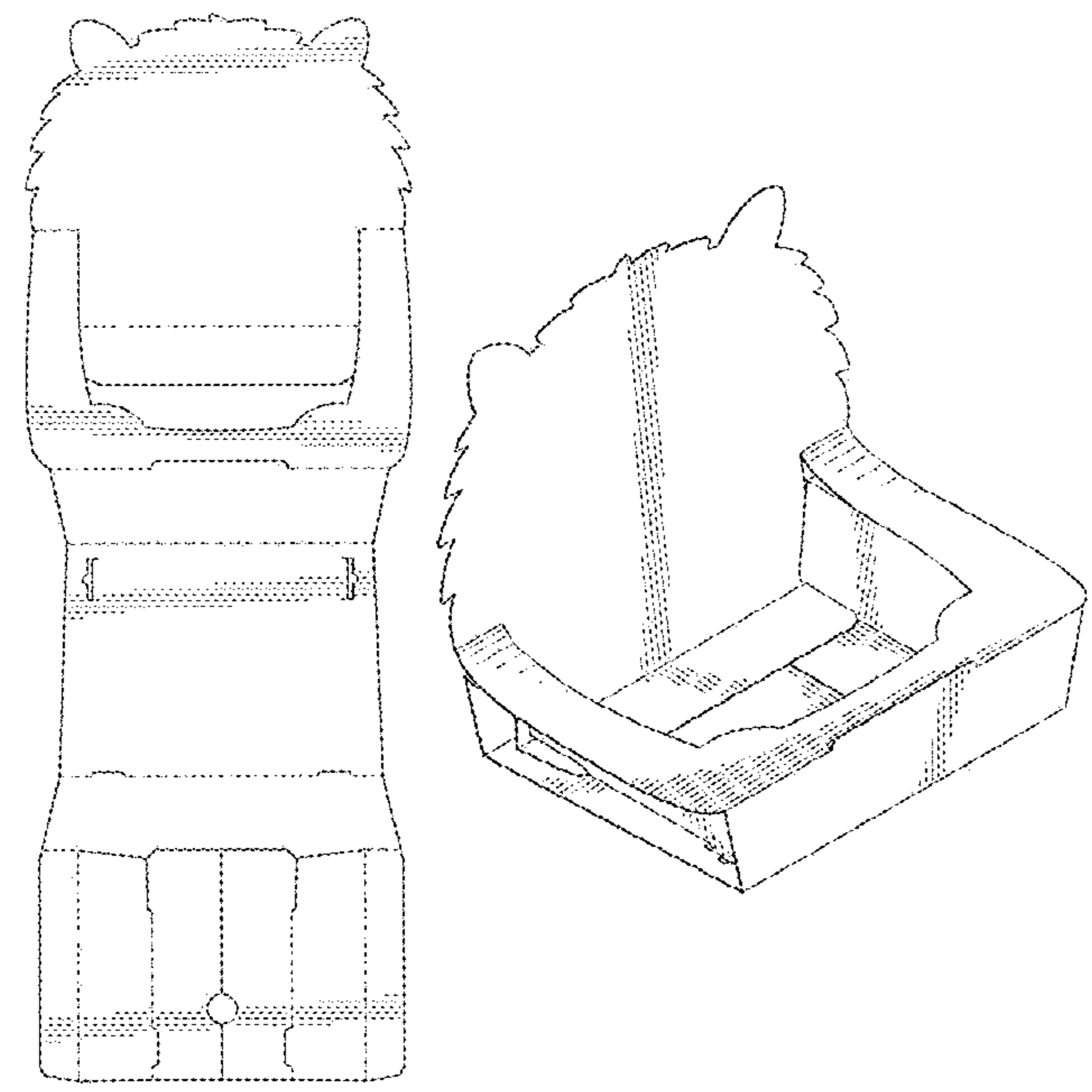
- D270,812 S * 10/1983 Fontlladosa D9/415
- D284,685 S * 7/1986 Fabricant D21/618
- 4,925,429 A * 5/1990 Kaulfuss A63H 33/00
446/487
- D367,422 S * 2/1996 Chuang A63H 33/16
D9/607
- D607,281 S * 1/2010 Meyers D9/611
- D616,760 S * 6/2010 Deuerer D9/611
- D671,995 S * 12/2012 Stewart D21/618
- D675,484 S * 2/2013 Schwartz D9/611
- D724,155 S * 3/2015 Hixson D21/618
- D726,509 S * 4/2015 Bowen D7/625
- D731,320 S * 6/2015 Faye D9/602
- D745,411 S * 12/2015 Glass D9/611
- 9,289,695 B2 * 3/2016 Sadri A63H 33/08
- D789,460 S * 6/2017 Billen D9/611

* cited by examiner
Primary Examiner — Sandra L Morris
(74) *Attorney, Agent, or Firm* — Erickson Kernell IP, LLC

(57) **CLAIM**
The ornamental design for a lion animal tray, as shown and described.

DESCRIPTION
FIG. 1 is a flat unfolded view of an ornament design for a lion animal tray;
FIG. 2 is a front assembled view thereof;
FIG. 3 is a back assembled view thereof;
FIG. 4 is a top assembled view thereof;
FIG. 5 is a bottom side assembled view thereof;
FIG. 6 is a left side assembled view thereof;
FIG. 7 is a right side assembled view thereof;
FIG. 8 is a perspective assembled view thereof; and,
FIG. 9 is a rear perspective assembled view thereof.
The broken lines in FIG. 1 depict fold lines.

1 Claim, 6 Drawing Sheets



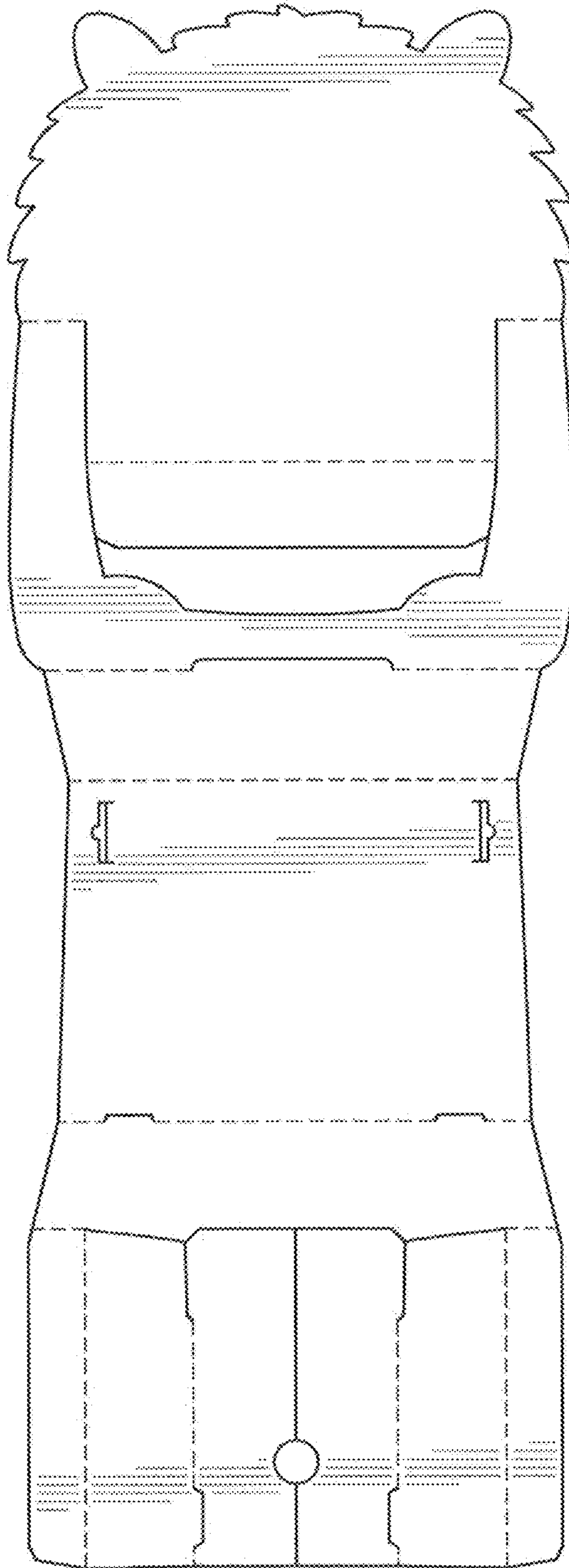


Fig. 1

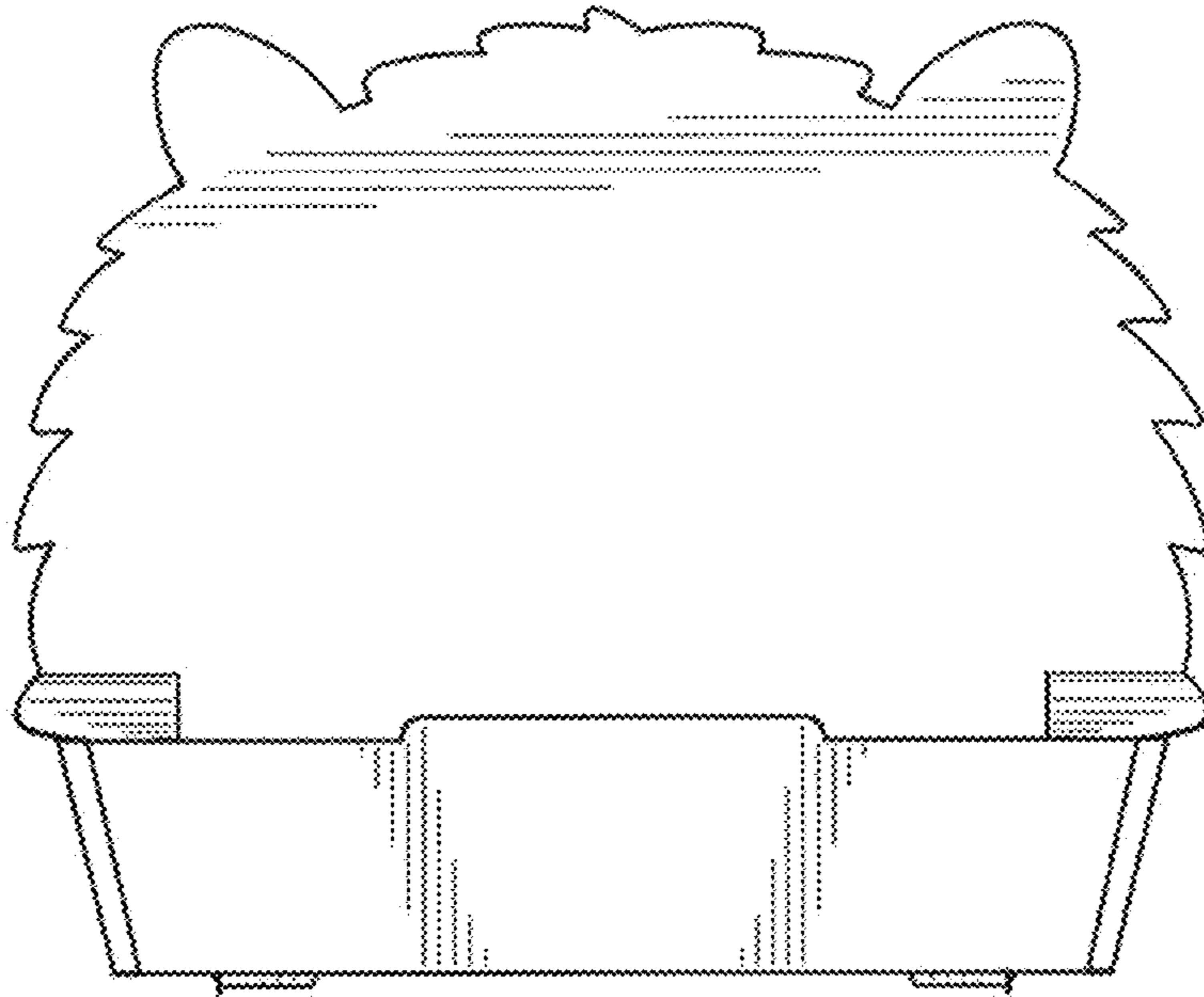


Fig. 2

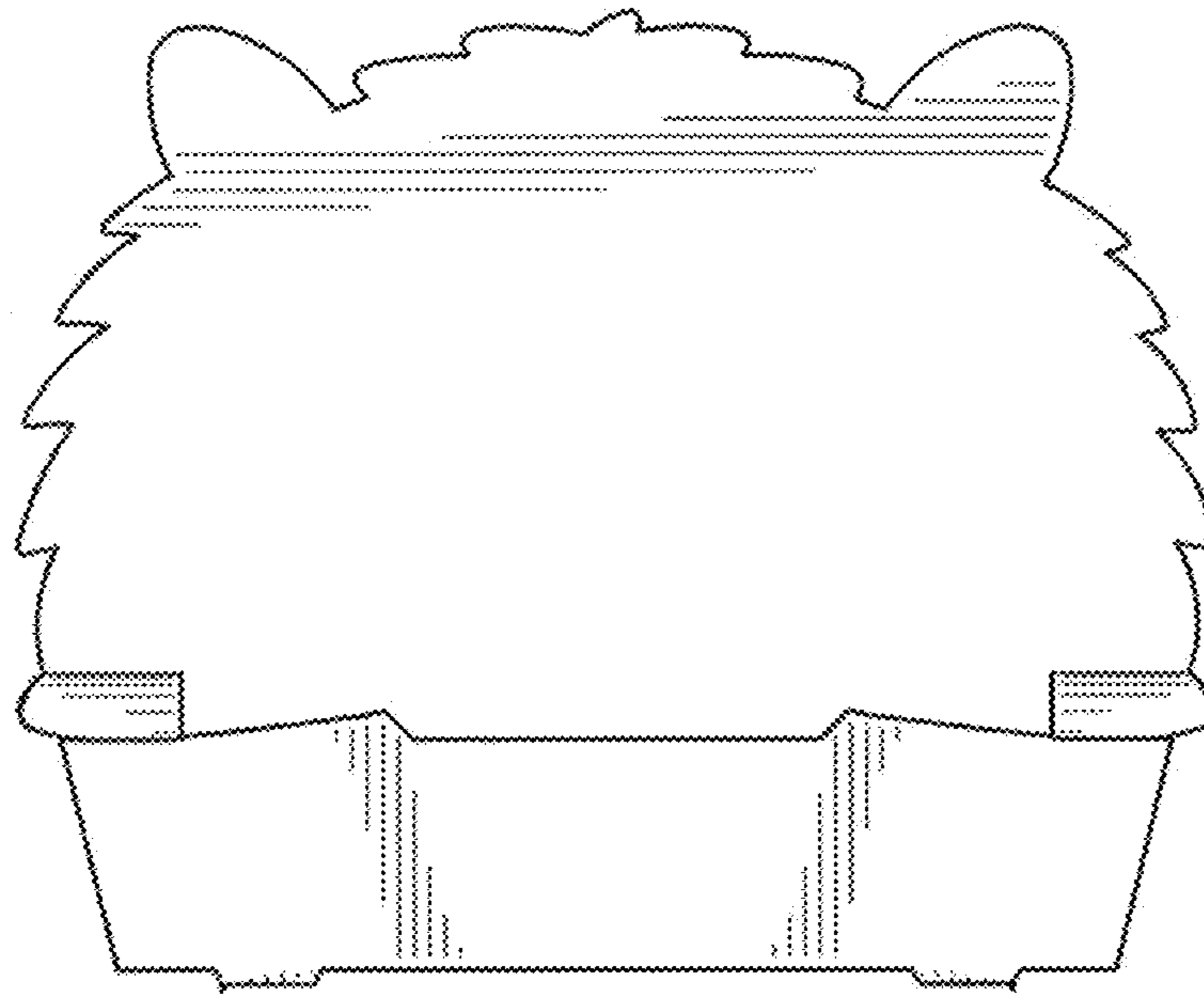


Fig. 3

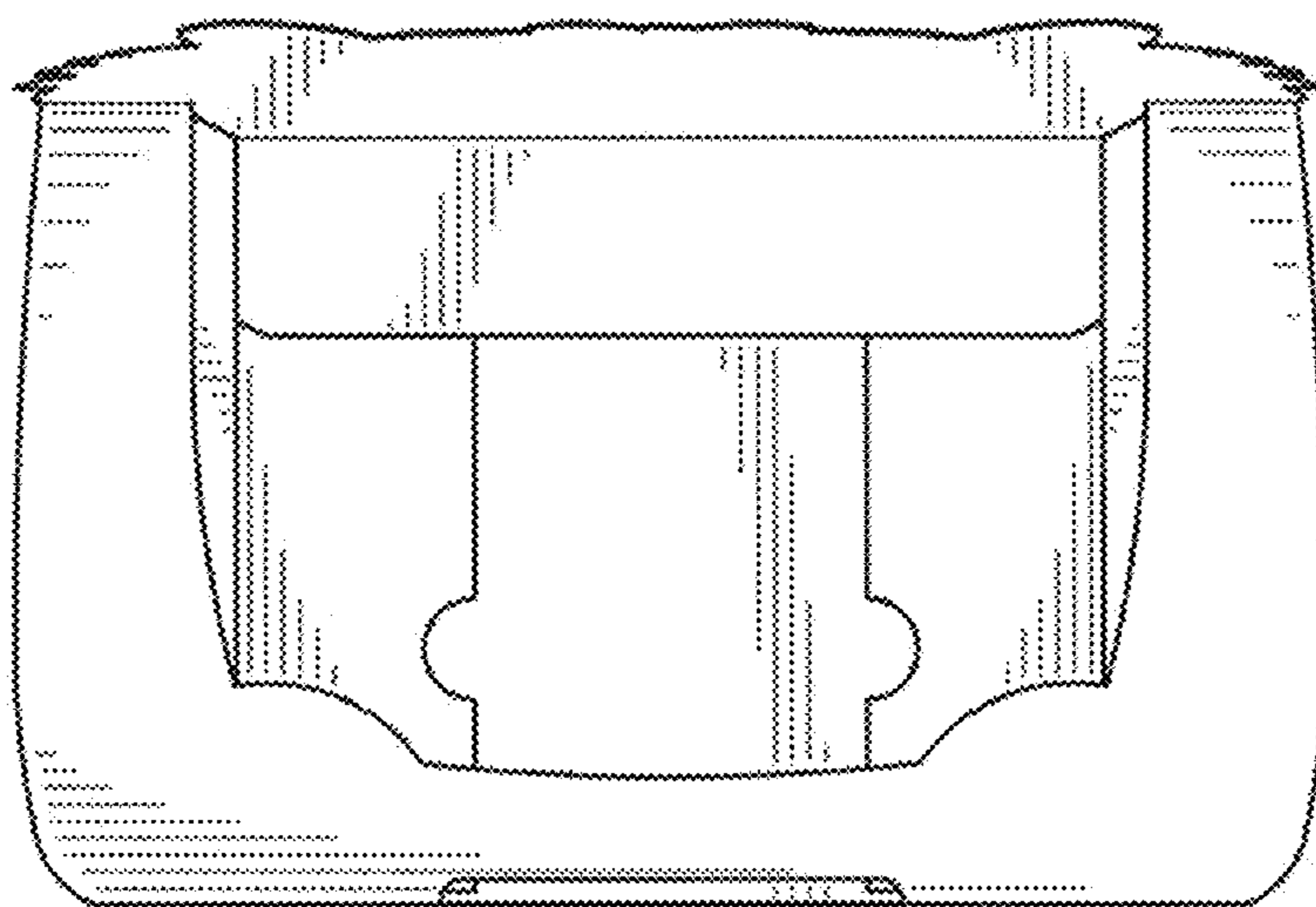


Fig. 4

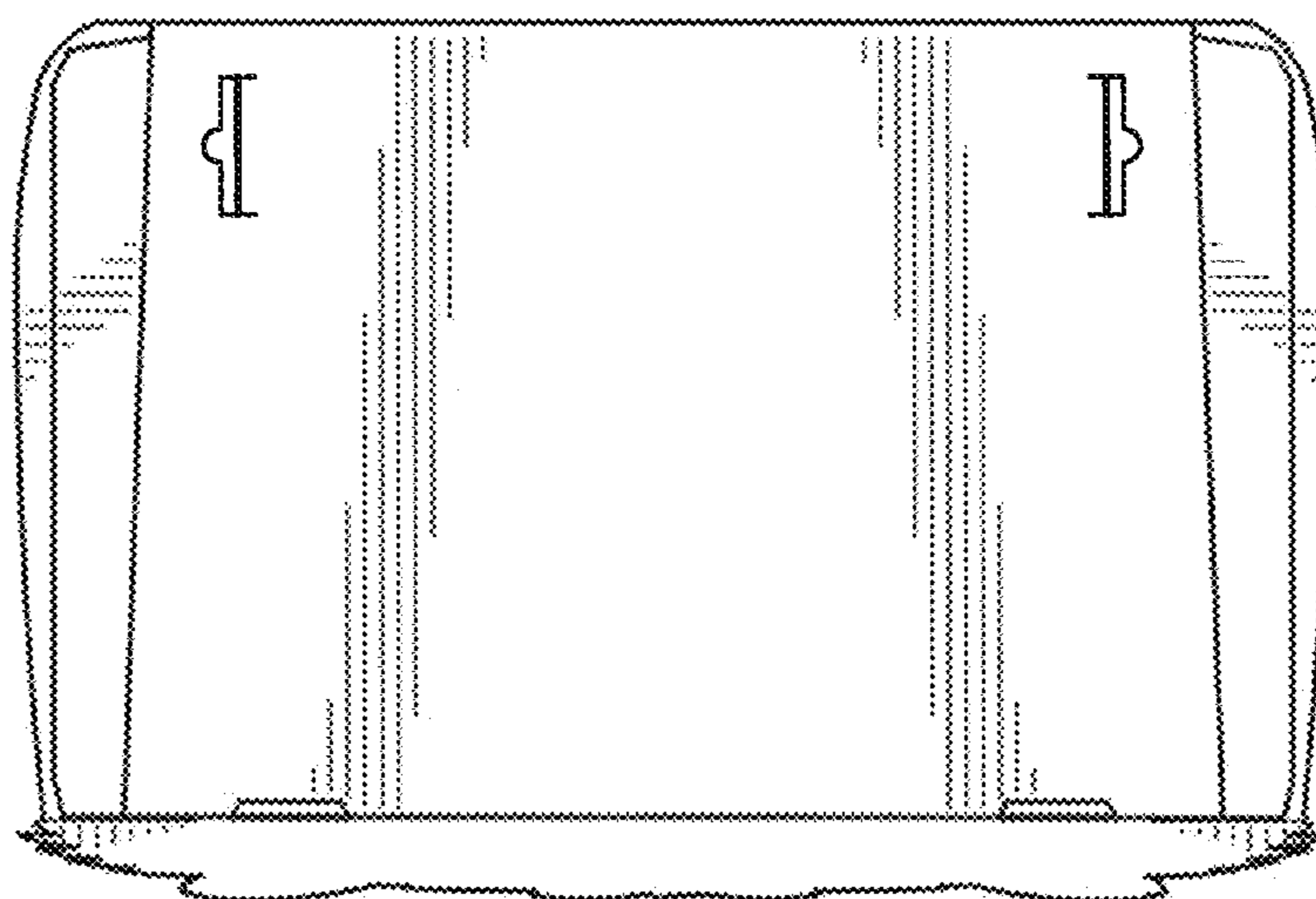


Fig. 5

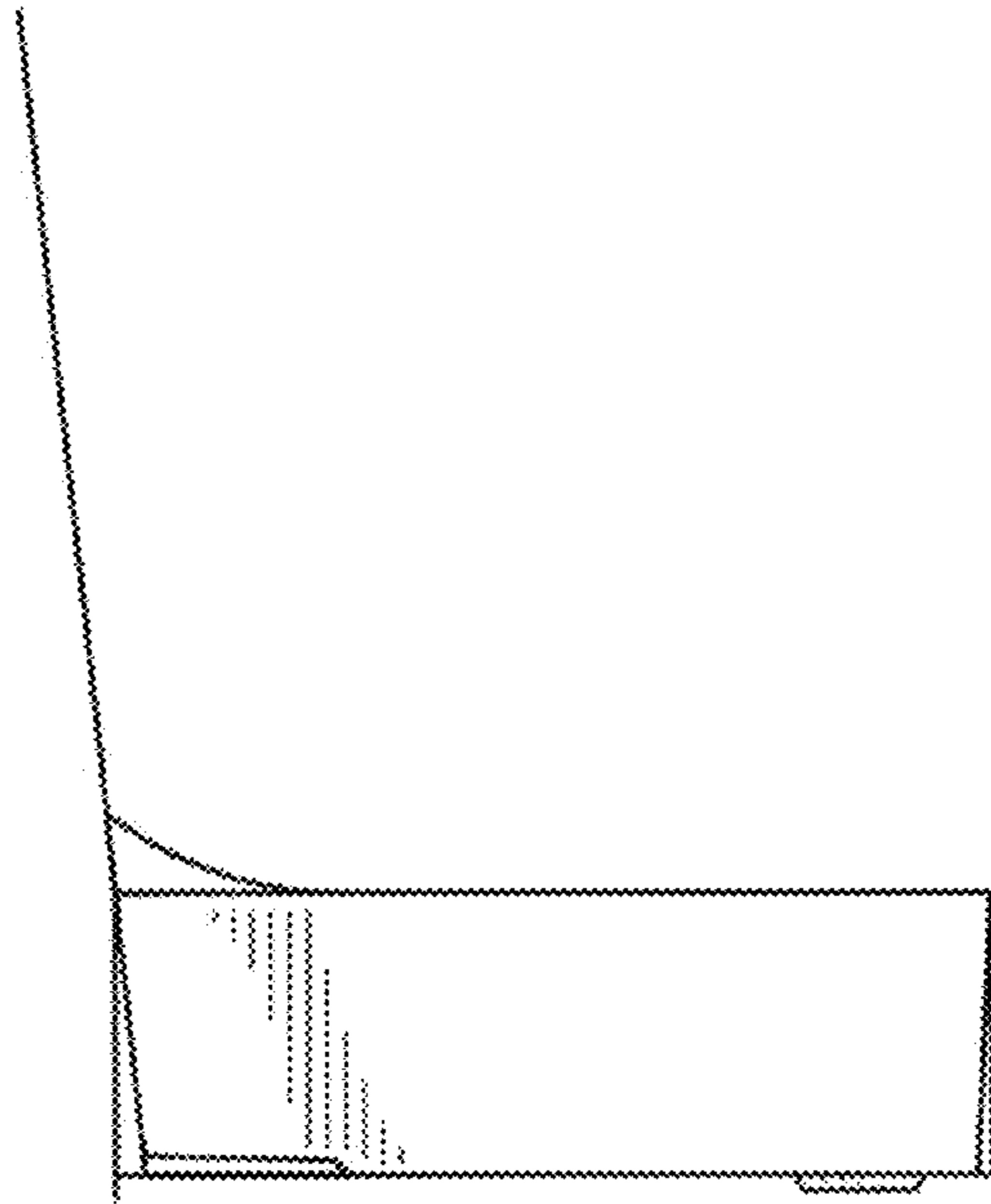


Fig. 6

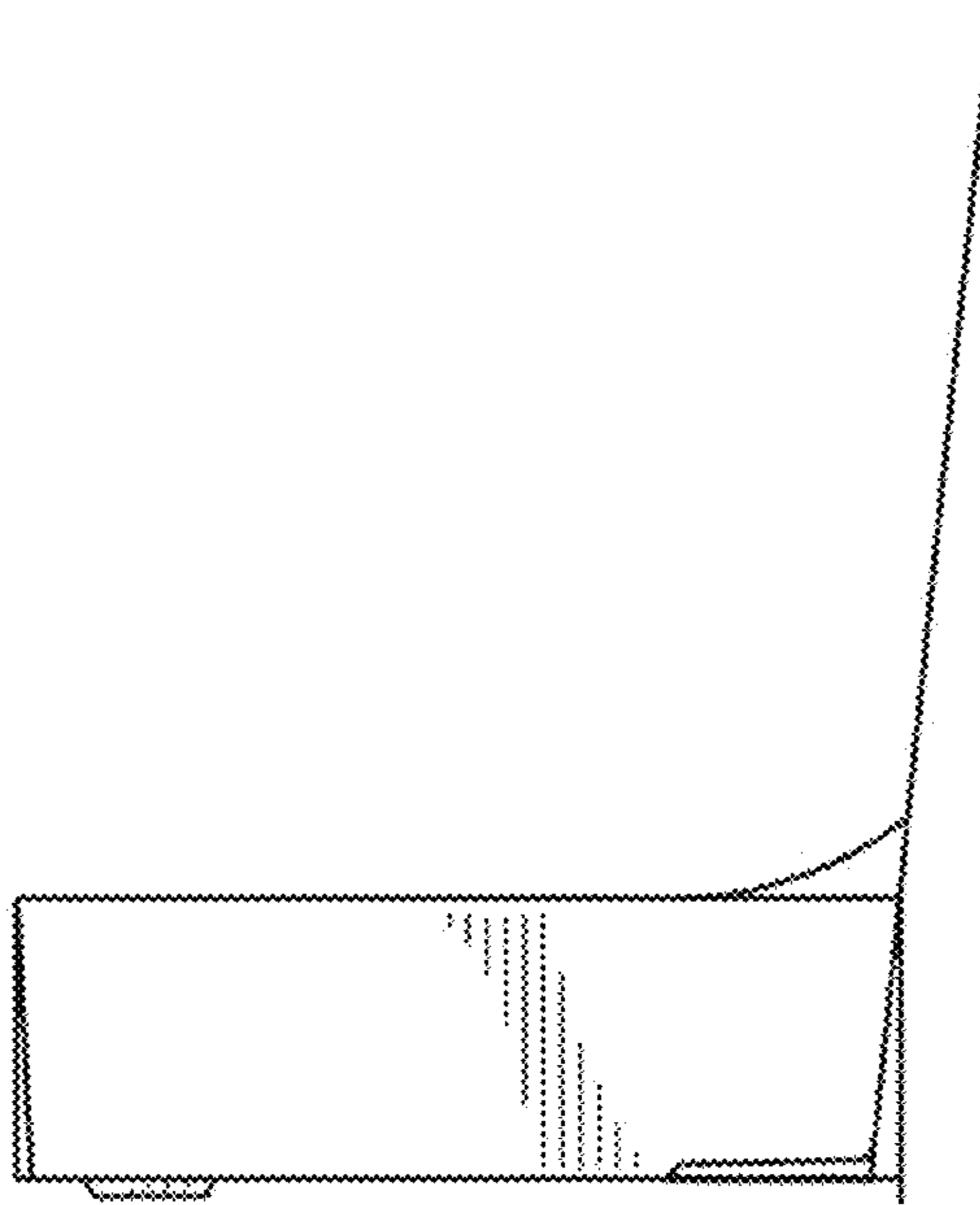


Fig. 7

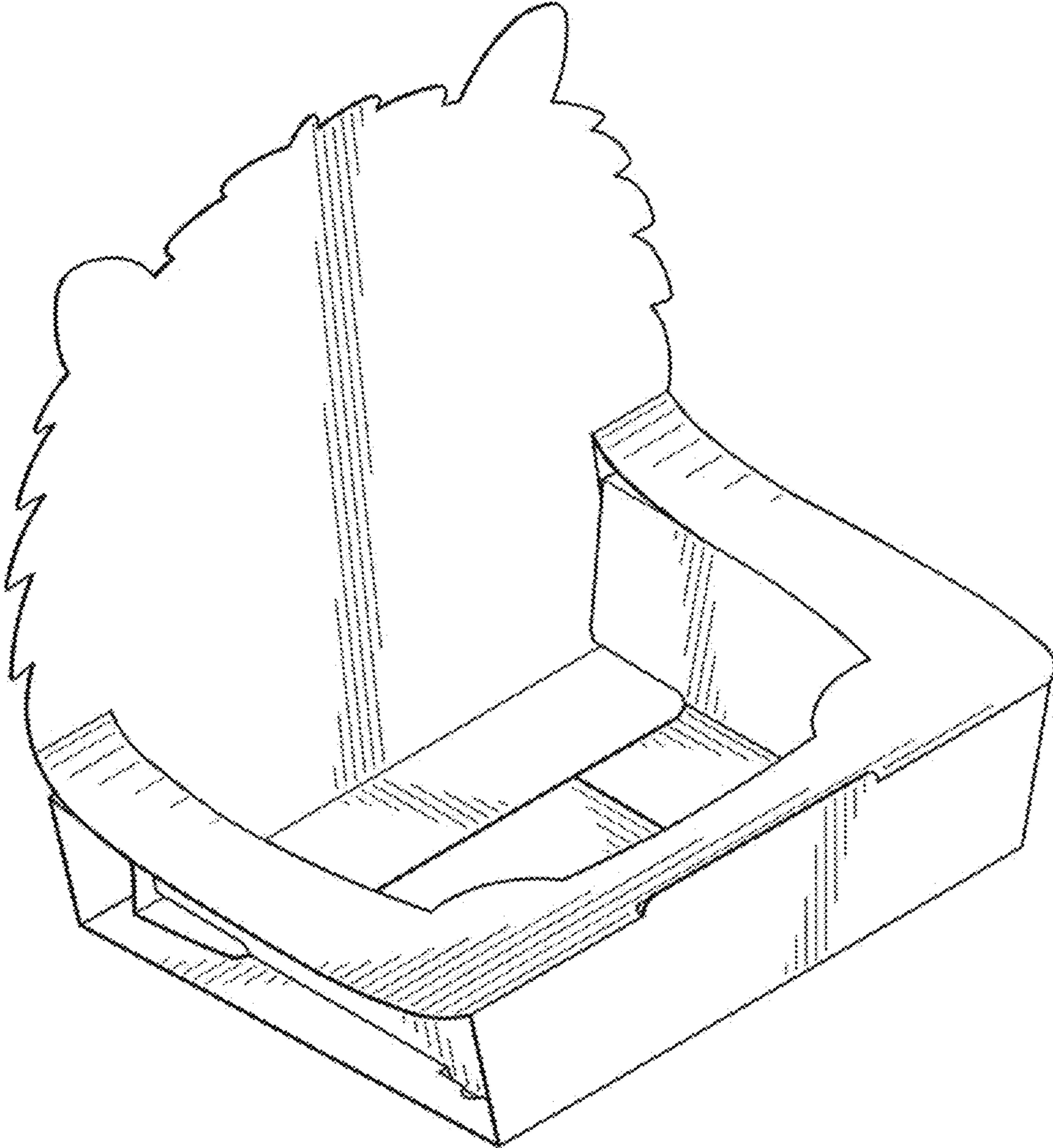


Fig. 8

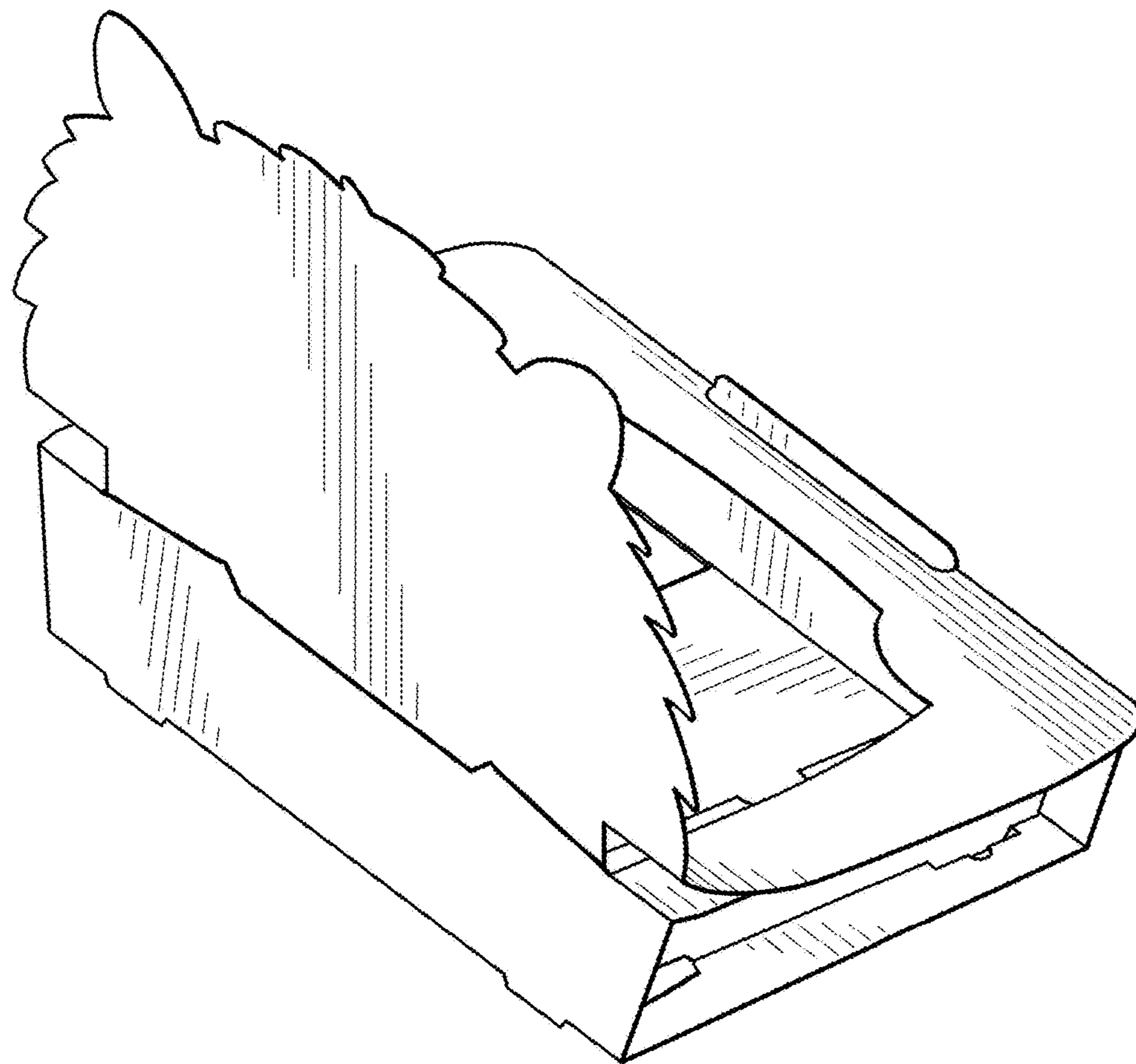


Fig. 9