



US00D871917S

(12) **United States Design Patent**  
**Billen**

(10) **Patent No.:** **US D871,917 S**

(45) **Date of Patent:** **\*\* Jan. 7, 2020**

- (54) **JAGUAR ANIMAL TRAY**
- (71) Applicant: **Kid Stuff Marketing, Inc.**, Topeka, KS (US)
- (72) Inventor: **William D. Billen**, Topeka, KS (US)
- (73) Assignee: **Kid Stuff Marketing, Inc.**, Topeka, KS (US)
- (\*\*) Term: **15 Years**
- (21) Appl. No.: **29/655,763**

D270,812 S *	10/1983	Fontlladosa	.....	D9/415
4,925,429 A *	5/1990	Kaulfuss	.....	A63H 33/00
				446/487
D313,697 S *	1/1991	Senitt	.....	D21/617
D367,422 S *	2/1996	Chuang	.....	A63H 33/16
				D9/607
D607,281 S *	1/2010	Meyers	.....	D9/611
D675,484 S *	2/2013	Schwartz	.....	D9/611
D724,155 S *	3/2015	Hixson	.....	D21/618
D726,509 S *	4/2015	Bowen	.....	D7/625
D731,320 S *	6/2015	Faye	.....	D9/602
D745,411 S *	12/2015	Glass	.....	D9/611
9,289,695 B2 *	3/2016	Sadri	.....	A63H 33/08
D789,460 S *	6/2017	Billen	.....	D9/611

- (22) Filed: **Jul. 6, 2018**
- (51) **LOC (12) Cl.** ..... **09-01**
- (52) **U.S. Cl.**  
USPC ..... **D9/611; D9/433**
- (58) **Field of Classification Search**  
USPC ..... D3/270, 271.1-271.4; D9/600-612,  
D9/414-434; 206/457, 459.5, 527;  
215/381-384, 400; 229/116.1, 150, 153;  
D7/514-519, 594, 599, 604, 613, 623,  
D7/625, 628; D21/617-618  
CPC ..... B65D 5/42; B65D 5/4208; B65D 5/4258;  
B65D 81/30; B65D 81/60; B65D 81/365;  
B65D 81/366; B65D 81/368; B65D  
2203/00; B65D 2203/02; B65D 67/00;  
B65D 5/75; B65D 71/16; B65D 71/20;  
A63H 81/16; A63H 3/08  
See application file for complete search history.

\* cited by examiner

*Primary Examiner* — Sandra L Morris  
(74) *Attorney, Agent, or Firm* — Erickson Kernell IP, LLC

(56) **References Cited**  
U.S. PATENT DOCUMENTS

D170,459 S *	9/1953	Hamman	.....	D21/617
D178,931 S *	10/1956	Perkins	.....	D9/603
3,861,279 A *	1/1975	Maling	.....	A63H 33/16
				493/343

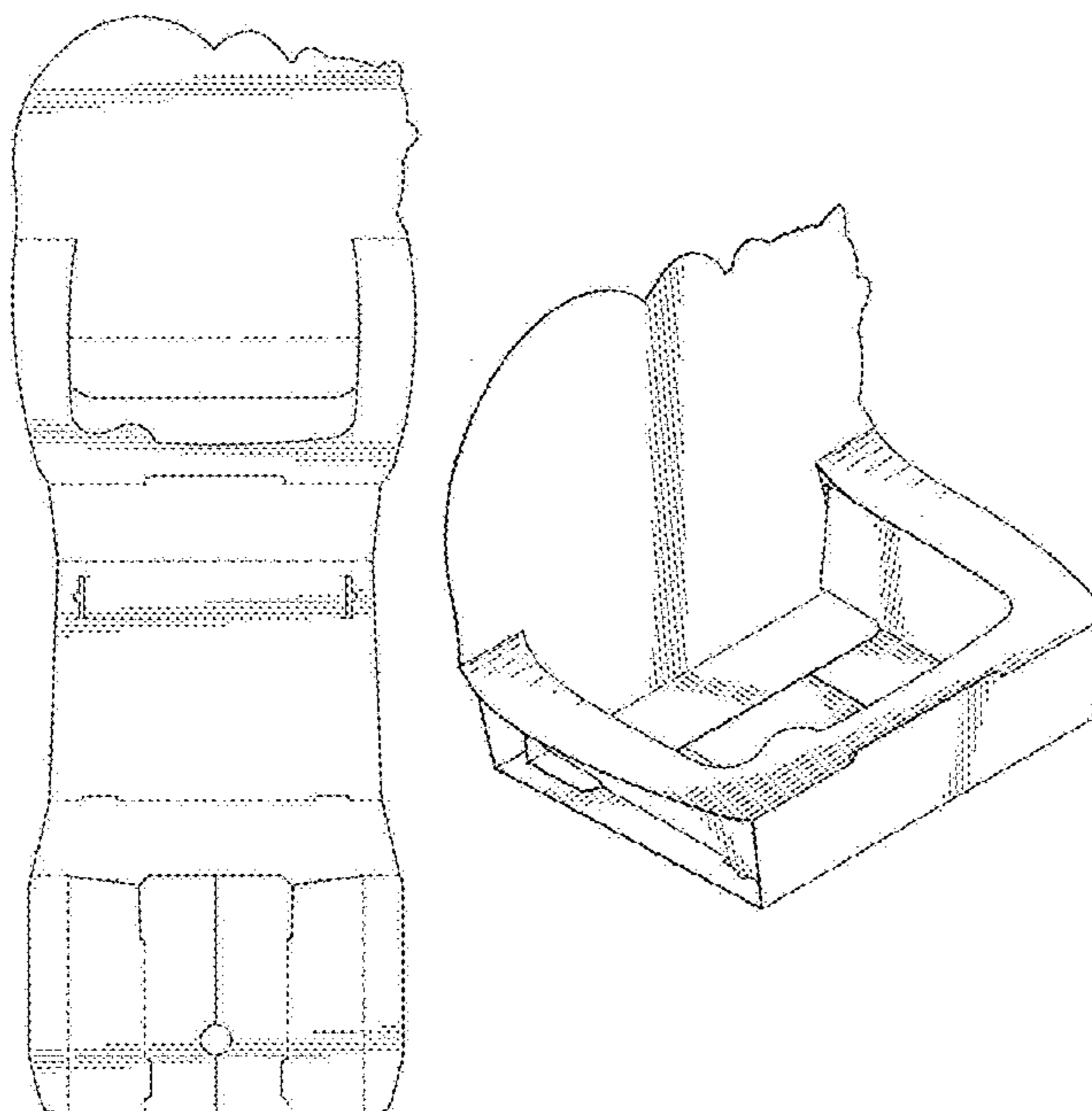
(57) **CLAIM**

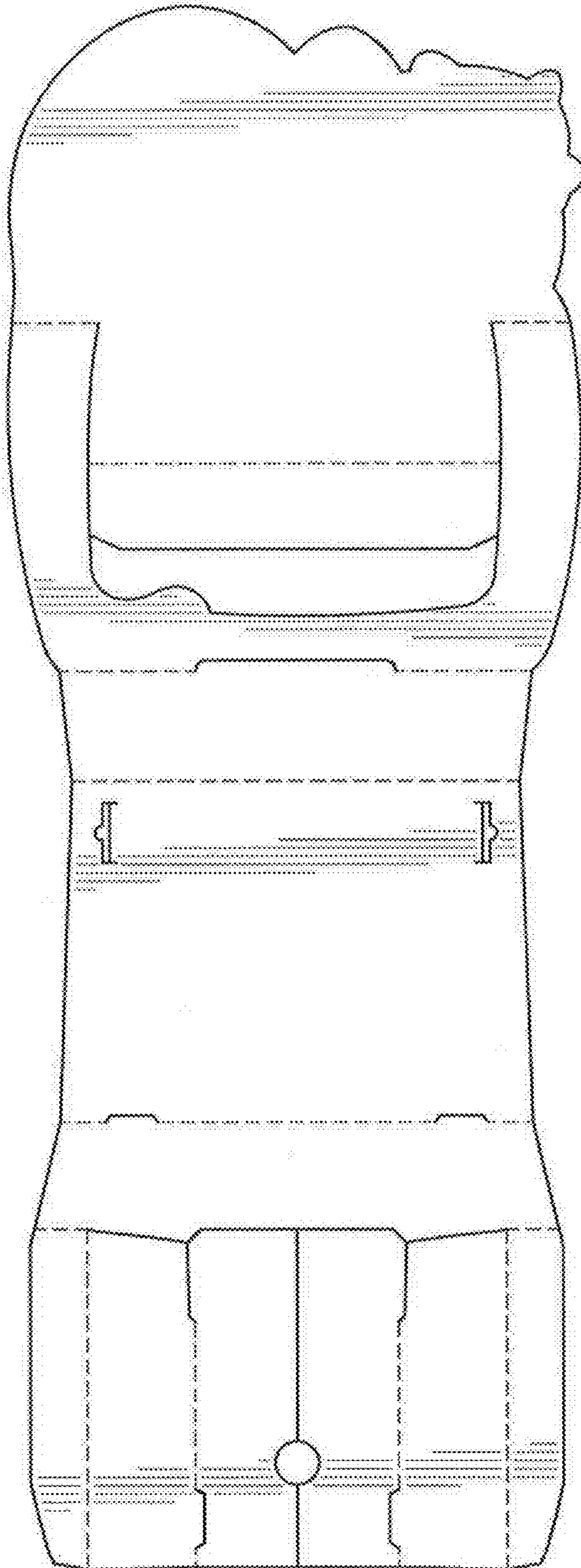
The ornamental design for a jaguar animal tray, as shown and described.

**DESCRIPTION**

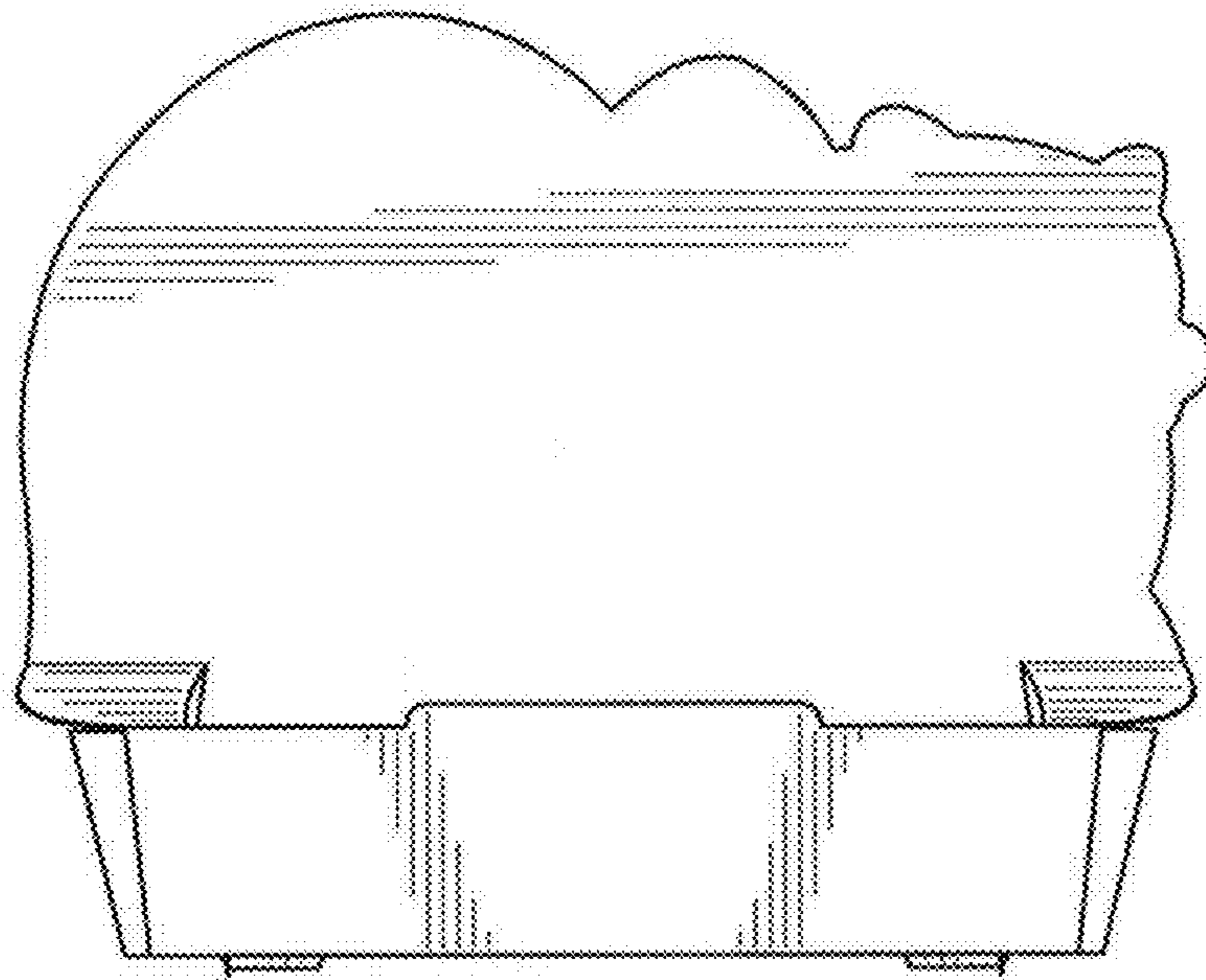
FIG. 1 is a flat unfolded view of an ornament design for a jaguar animal tray;  
FIG. 2 is a front assembled view thereof;  
FIG. 3 is a back assembled view thereof;  
FIG. 4 is a top assembled view thereof;  
FIG. 5 is a bottom side assembled view thereof;  
FIG. 6 is a left side assembled view thereof;  
FIG. 7 is a right side assembled view thereof;  
FIG. 8 is a perspective assembled view thereof; and,  
FIG. 9 is a rear perspective assembled view thereof.  
The broken lines in FIG. 1 depict fold lines.

**1 Claim, 6 Drawing Sheets**

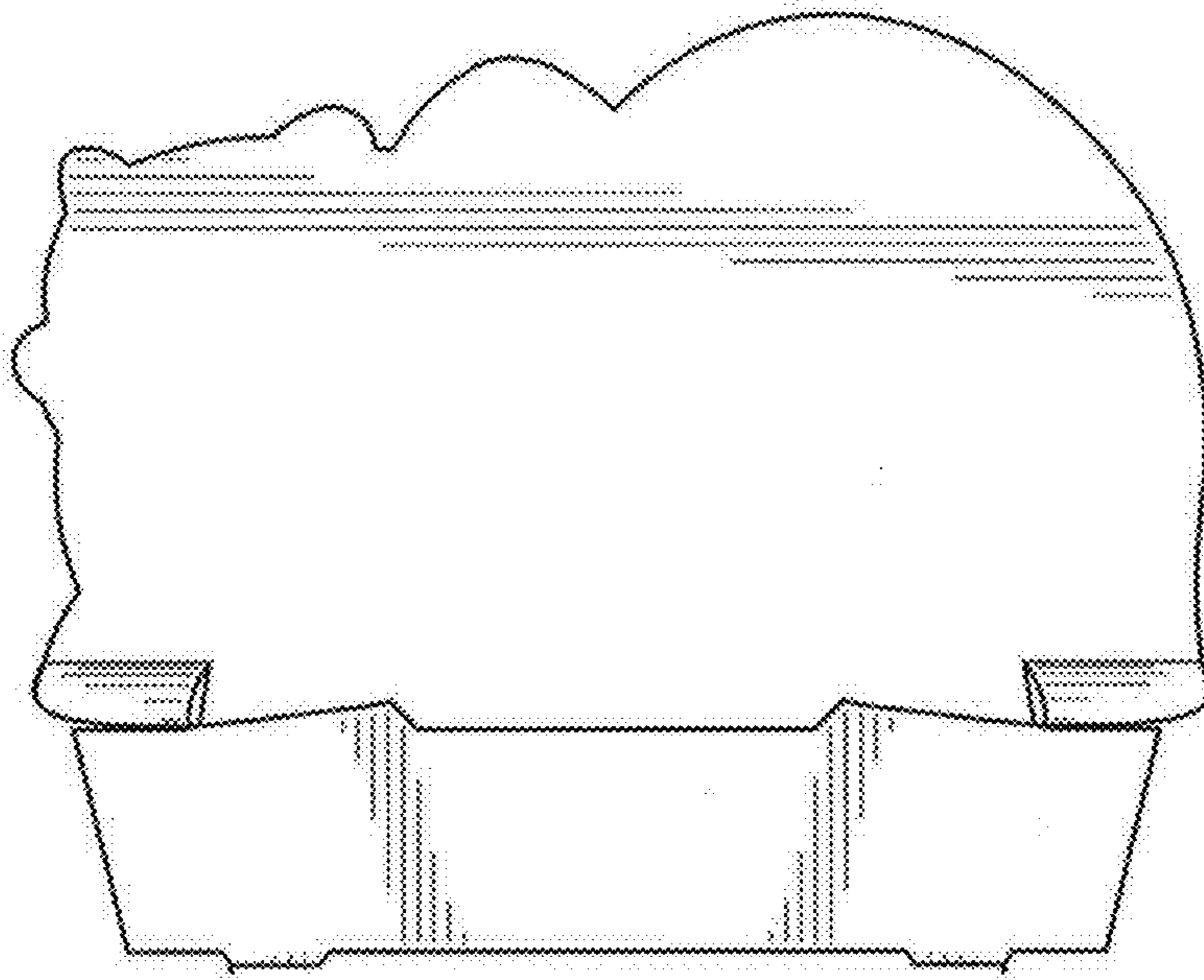




*Fig. 1*

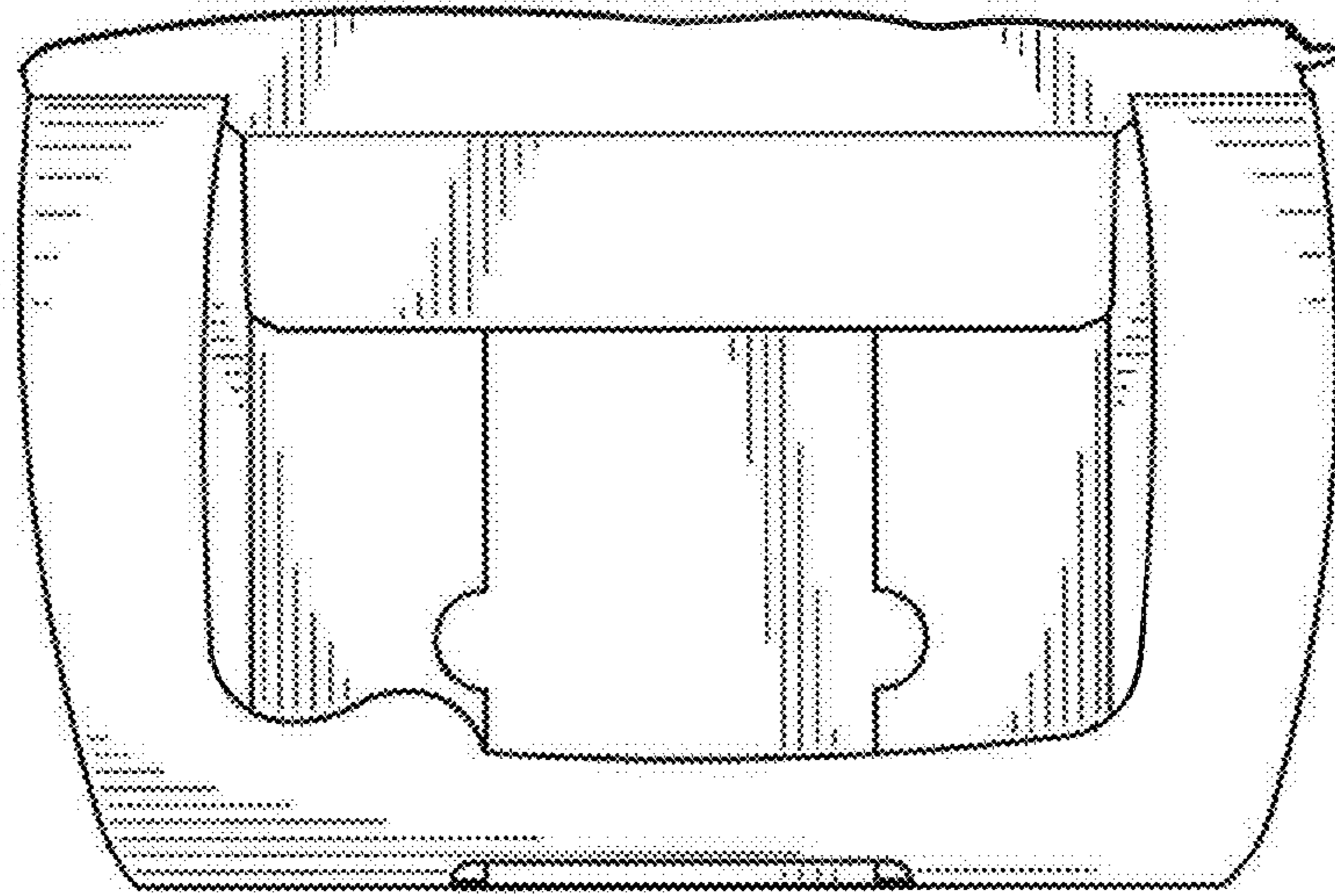


*Fig. 2*

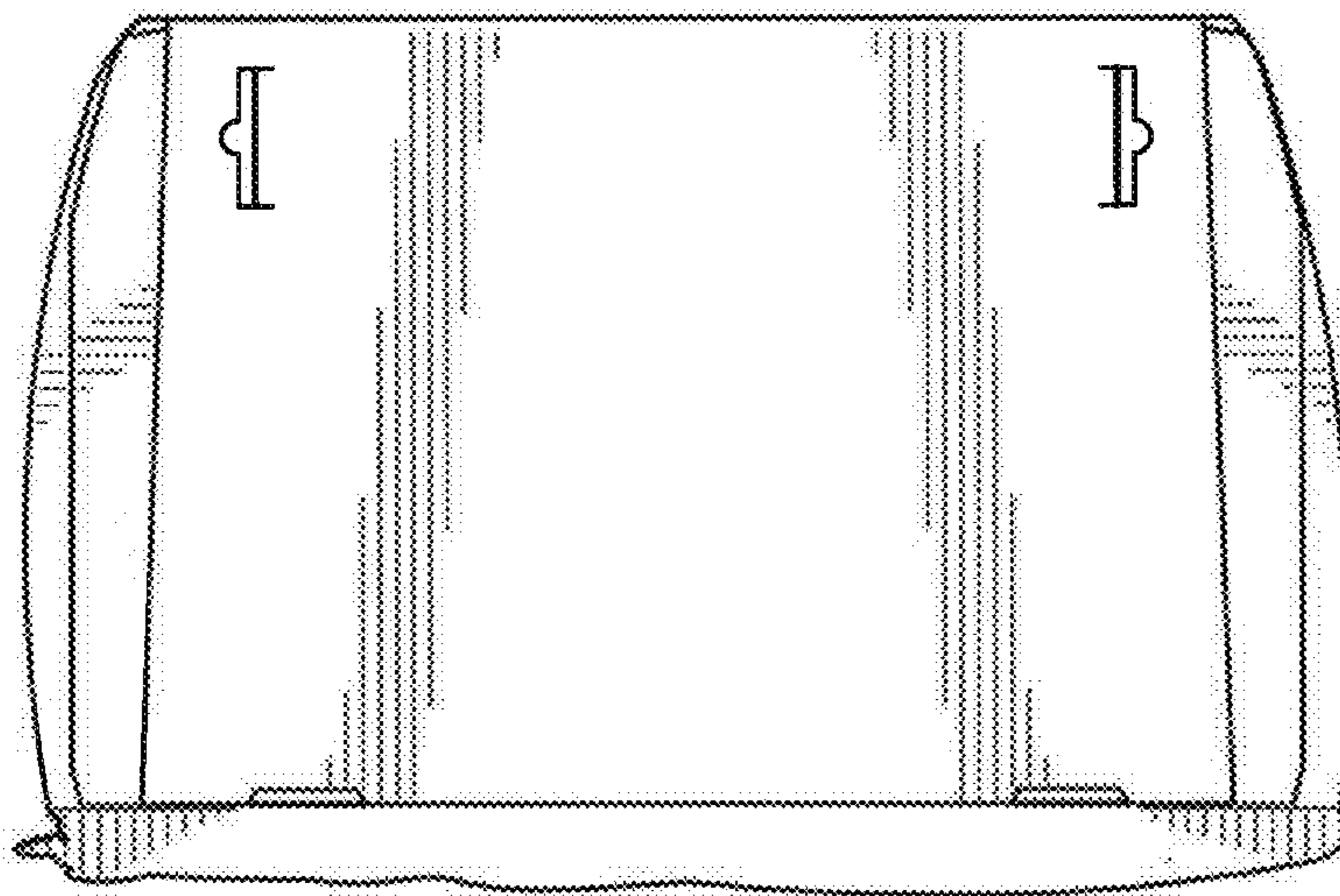


*Fig. 3*

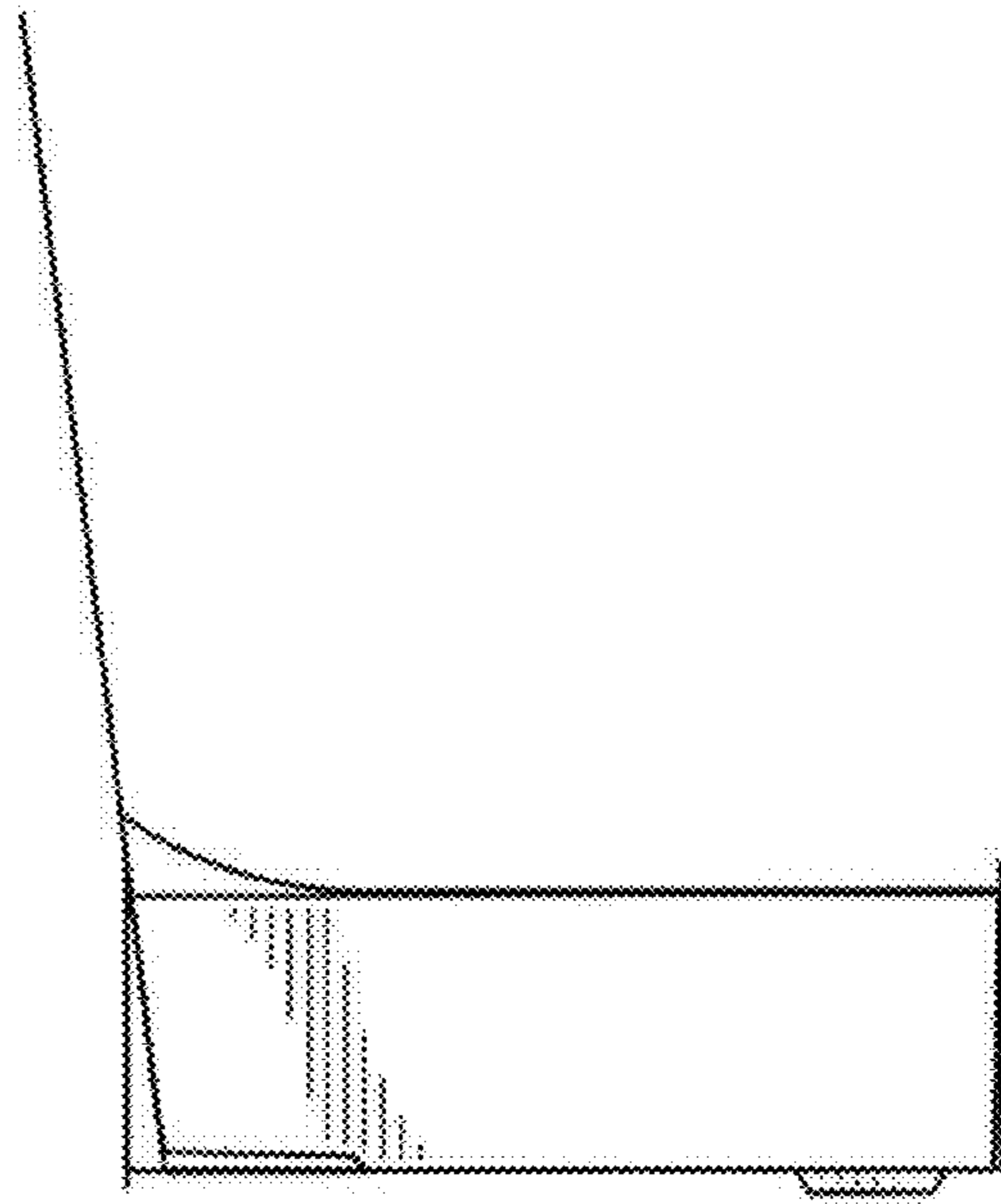




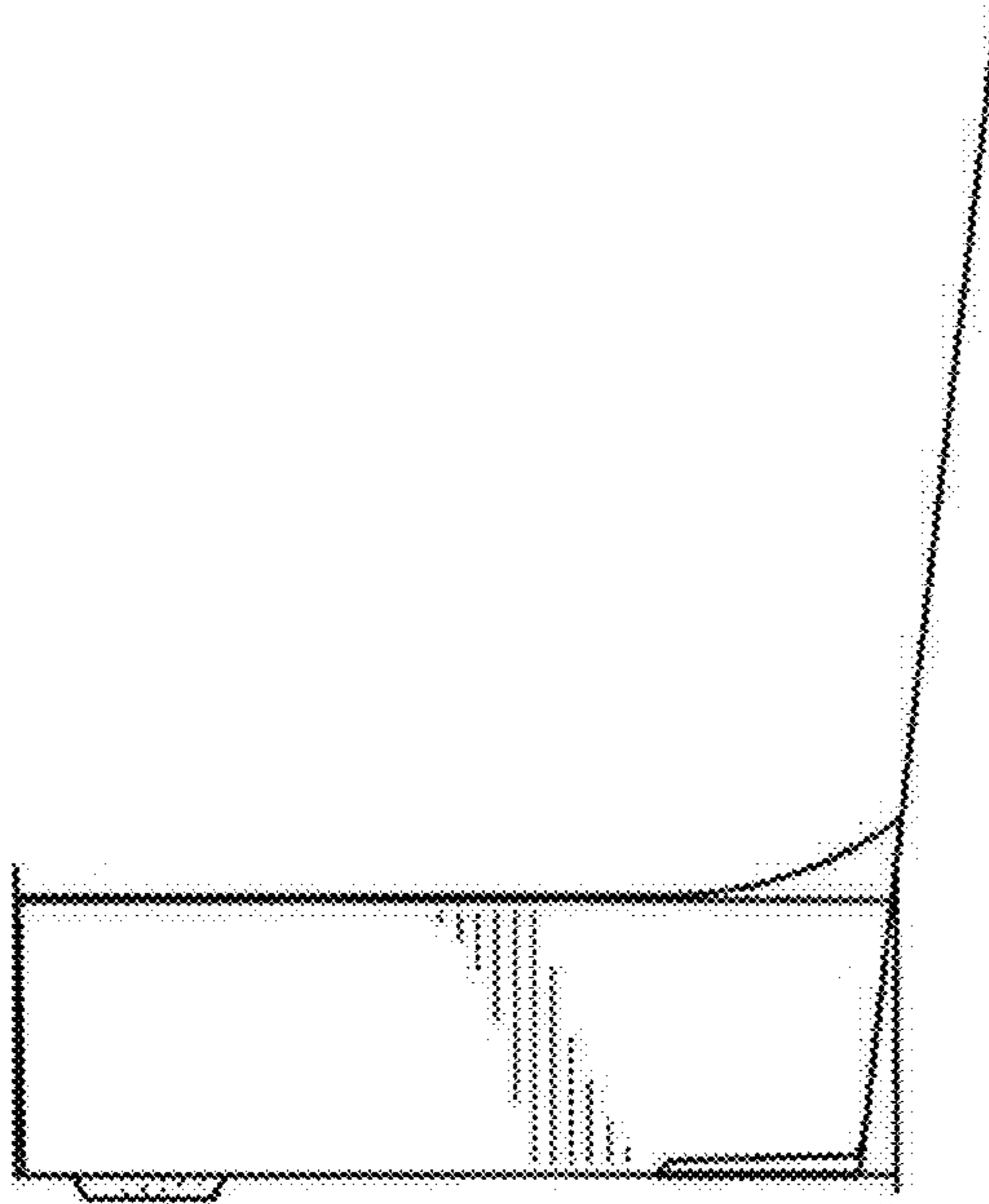
*Fig. 4*



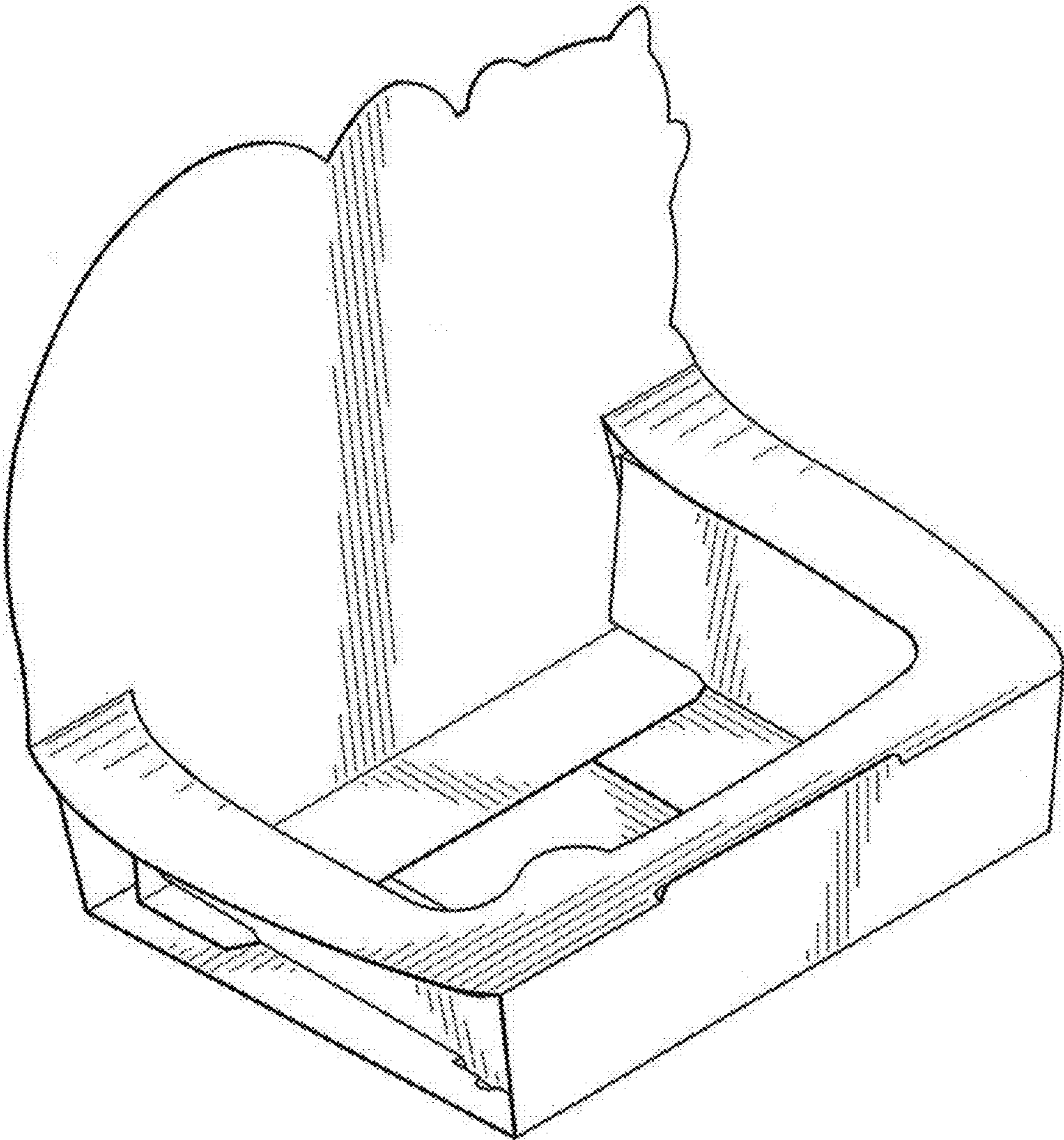
*Fig. 5*



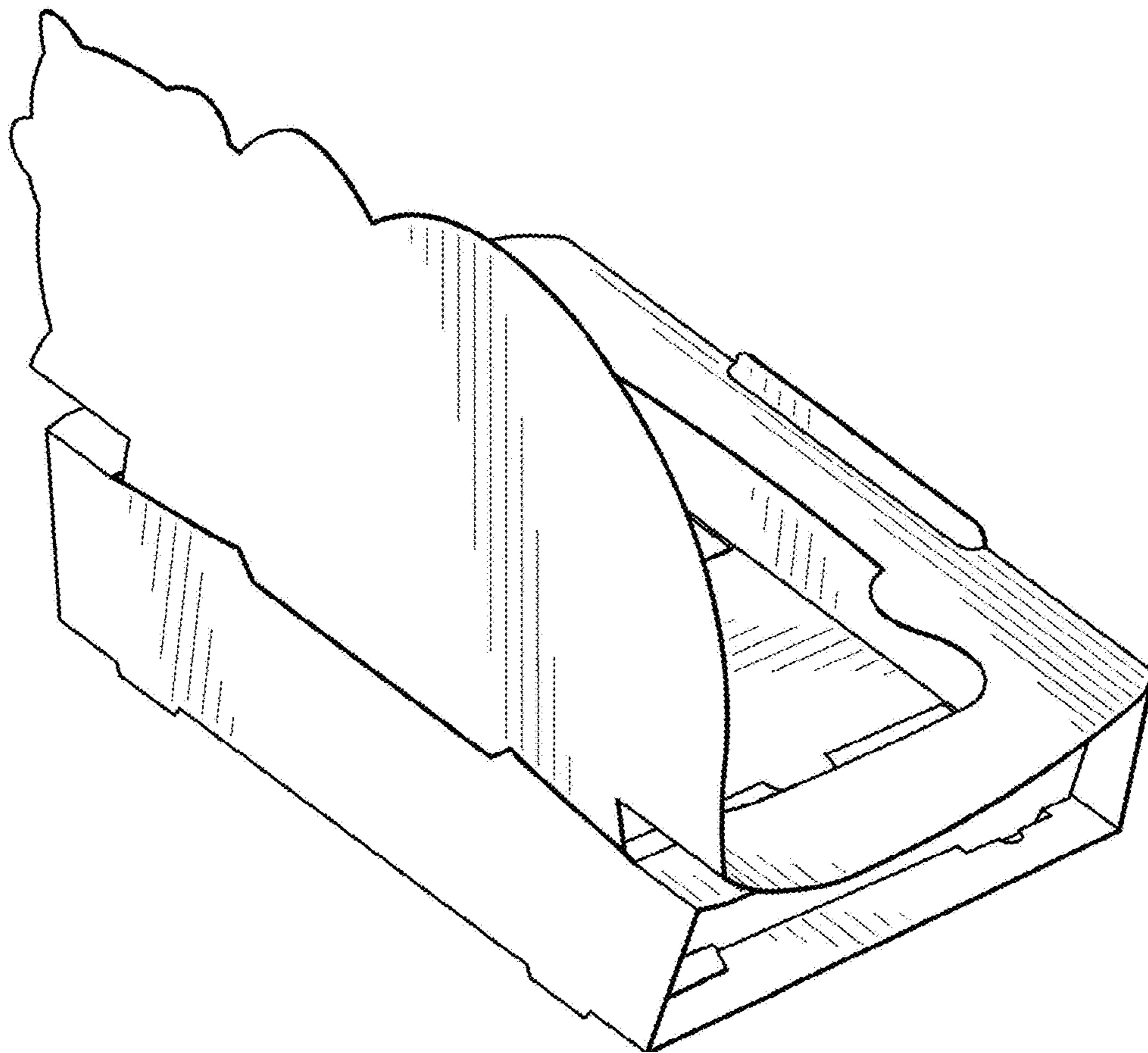
*Fig. 6*



*Fig. 7*



*Fig. 8*



*Fig. 9*