



US00D871916S

(12) **United States Design Patent**
Billen

(10) **Patent No.:** **US D871,916 S**
(45) **Date of Patent:** **** Jan. 7, 2020**

- (54) **ELEPHANT ANIMAL TRAY**
- (71) Applicant: **Kid Stuff Marketing, Inc.**, Topeka, KS (US)
- (72) Inventor: **William D. Billen**, Topeka, KS (US)
- (73) Assignee: **Kid Stuff Marketing, Inc.**, Topeka, KS (US)
- (**) Term: **15 Years**
- (21) Appl. No.: **29/655,761**
- (22) Filed: **Jul. 6, 2018**
- (51) **LOC (12) Cl.** **09-01**
- (52) **U.S. Cl.**
USPC **D9/610**; D9/433
- (58) **Field of Classification Search**
USPC D3/270, 271.1–271.4; D9/600–612, D9/414–434; 206/457, 459.5, 527; 215/381–384, 400; 229/116.1, 150, 153; D7/514–519, 594, 599, 604, 613, 623, D7/625, 628; D21/616
CPC B65D 5/42; B65D 5/4208; B65D 5/4258; B65D 81/30; B65D 81/60; B65D 81/365; B65D 81/366; B65D 81/368; B65D 2203/00; B65D 2203/02; B65D 67/00; B65D 5/75; B65D 71/16; B65D 71/20; A63H 81/16; A63H 3/08
See application file for complete search history.

| | | | | |
|----------------|---------|---------------|-------|-----------------------|
| D178,931 S * | 10/1956 | Perkins | | D9/603 |
| D183,922 S * | 11/1958 | Fogertey, Jr. | | D9/610 |
| 3,861,279 A * | 1/1975 | Maling | | A63H 33/16 493/343 |
| D269,028 S * | 5/1983 | Gardner | | D21/616 |
| D270,812 S * | 10/1983 | Fontlladosa | | D9/607 |
| 4,925,429 A * | 5/1990 | Kaulfuss | | A63H 33/00 446/487 |
| D367,422 S * | 2/1996 | Chuang | | D9/607 |
| D502,315 S * | 3/2005 | Oberhofer | | D21/616 |
| D584,167 S * | 1/2009 | Murray | | D9/610 |
| D607,281 S * | 1/2010 | Meyers | | D9/433 |
| D687,319 S * | 8/2013 | Panetta | | A63H 3/08 D9/601 |
| D715,597 S * | 10/2014 | Bowen | | D7/625 |
| D731,320 S * | 6/2015 | Faye | | D9/602 |
| 9,289,695 B2 * | 3/2016 | Sadri | | A63H 33/08 |
| D769,379 S * | 10/2016 | Billen | | A63H 3/08 D9/610 |

* cited by examiner

Primary Examiner — Sandra L Morris
(74) *Attorney, Agent, or Firm* — Erickson Kernell IP, LLC

(57) **CLAIM**

The ornamental design for an elephant animal tray, as shown and described.

DESCRIPTION

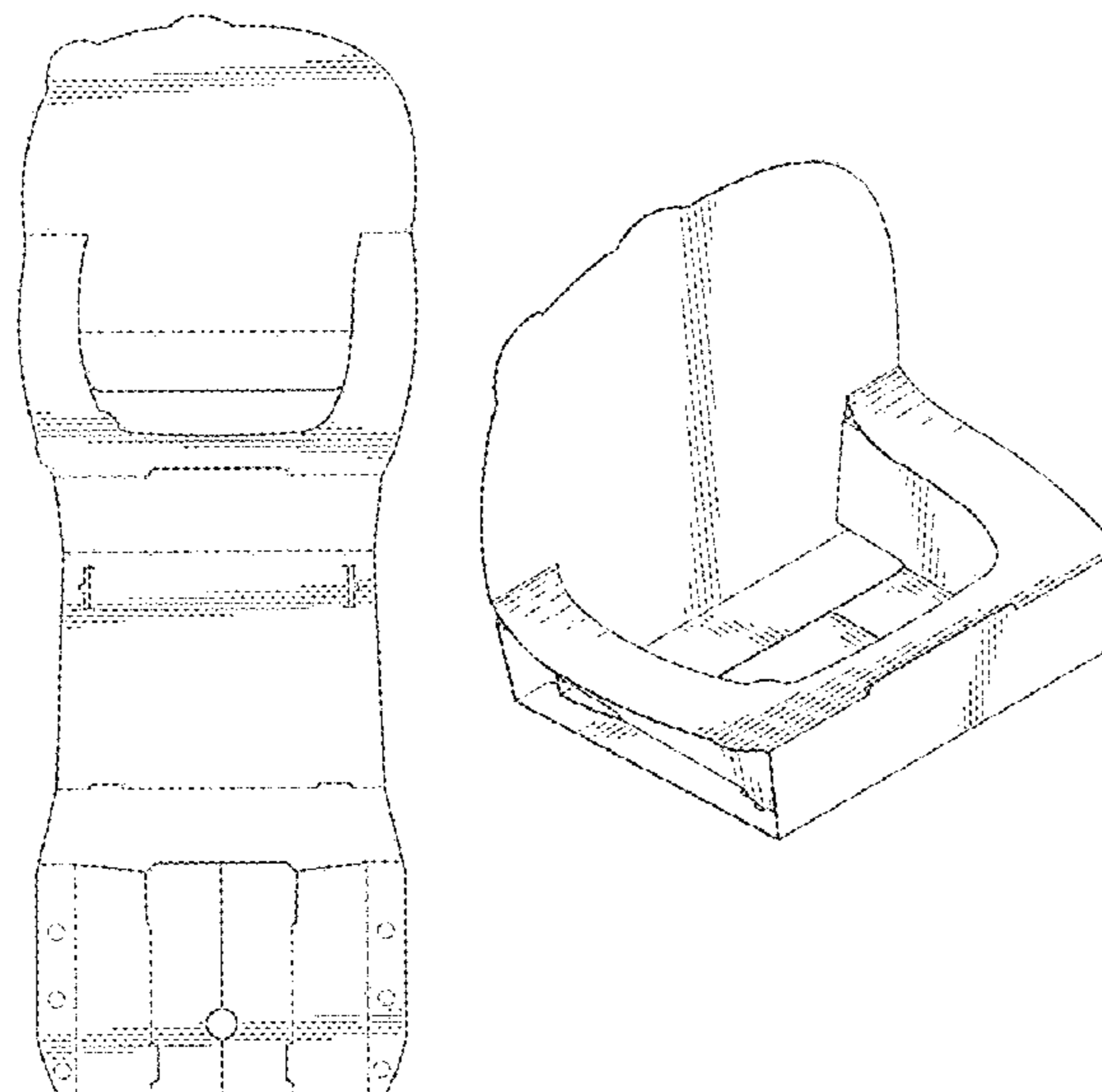
FIG. 1 is a flat unfolded view of an ornament design for an elephant animal tray;
FIG. 2 is a front assembled view thereof;
FIG. 3 is a back assembled view thereof;
FIG. 4 is a top assembled view thereof;
FIG. 5 is a bottom side assembled view thereof;
FIG. 6 is a left side assembled view thereof;
FIG. 7 is a right side assembled view thereof;
FIG. 8 is a perspective assembled view thereof; and,
FIG. 9 is a rear perspective assembled view thereof.
The broken lines in FIG. 1 depict fold lines.

1 Claim, 6 Drawing Sheets

(56) **References Cited**

U.S. PATENT DOCUMENTS

| | | | | |
|---------------|---------|---------|-------|------------------------|
| 1,438,083 A * | 12/1922 | Baker | | A63H 3/08 229/116.3 |
| D104,244 S * | 4/1937 | DeLacy | | D21/616 |
| 2,189,550 A * | 2/1940 | Higgins | | A63H 3/08 446/87 |
| D146,610 S * | 4/1947 | Mellick | | D21/616 |
| D152,470 S * | 1/1949 | Graven | | D7/613 |



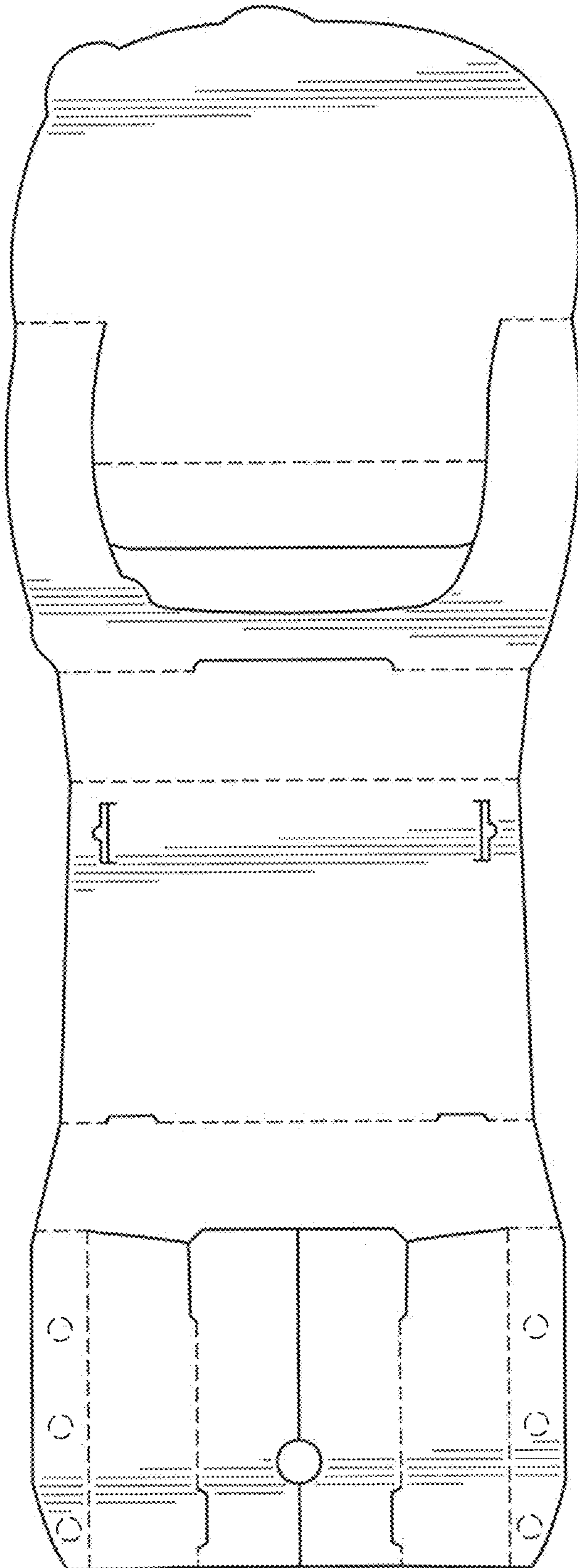


Fig. 1

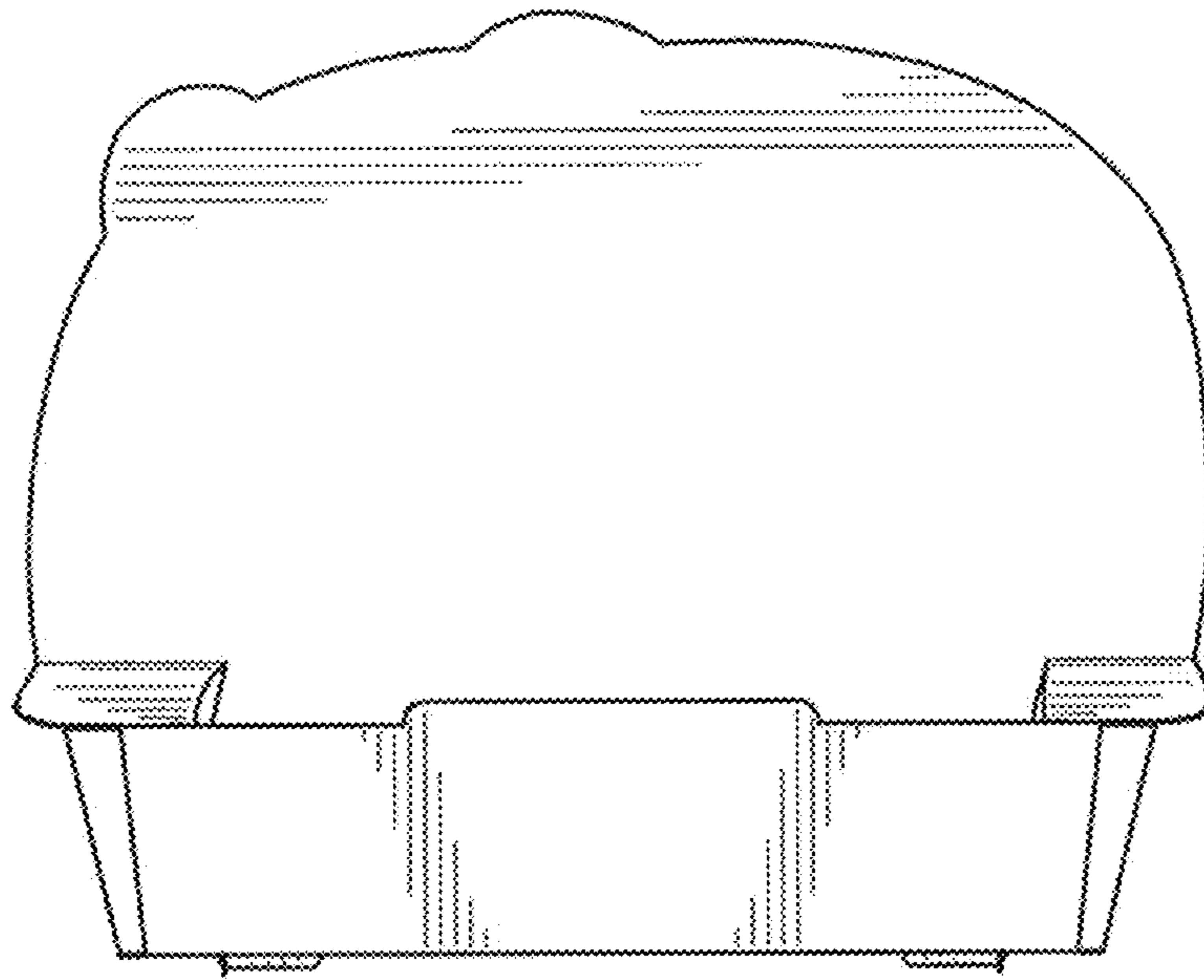


Fig. 2

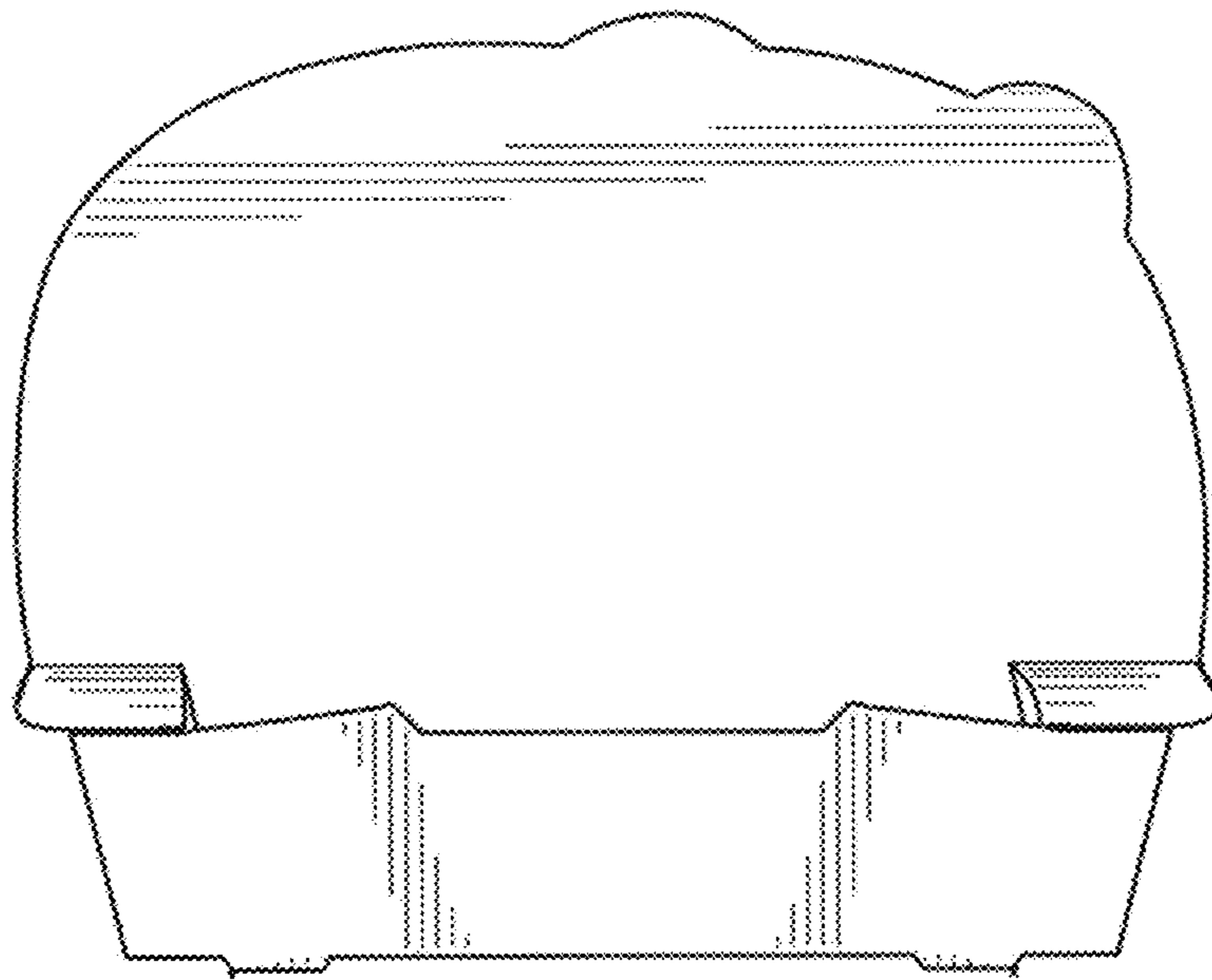


Fig. 3

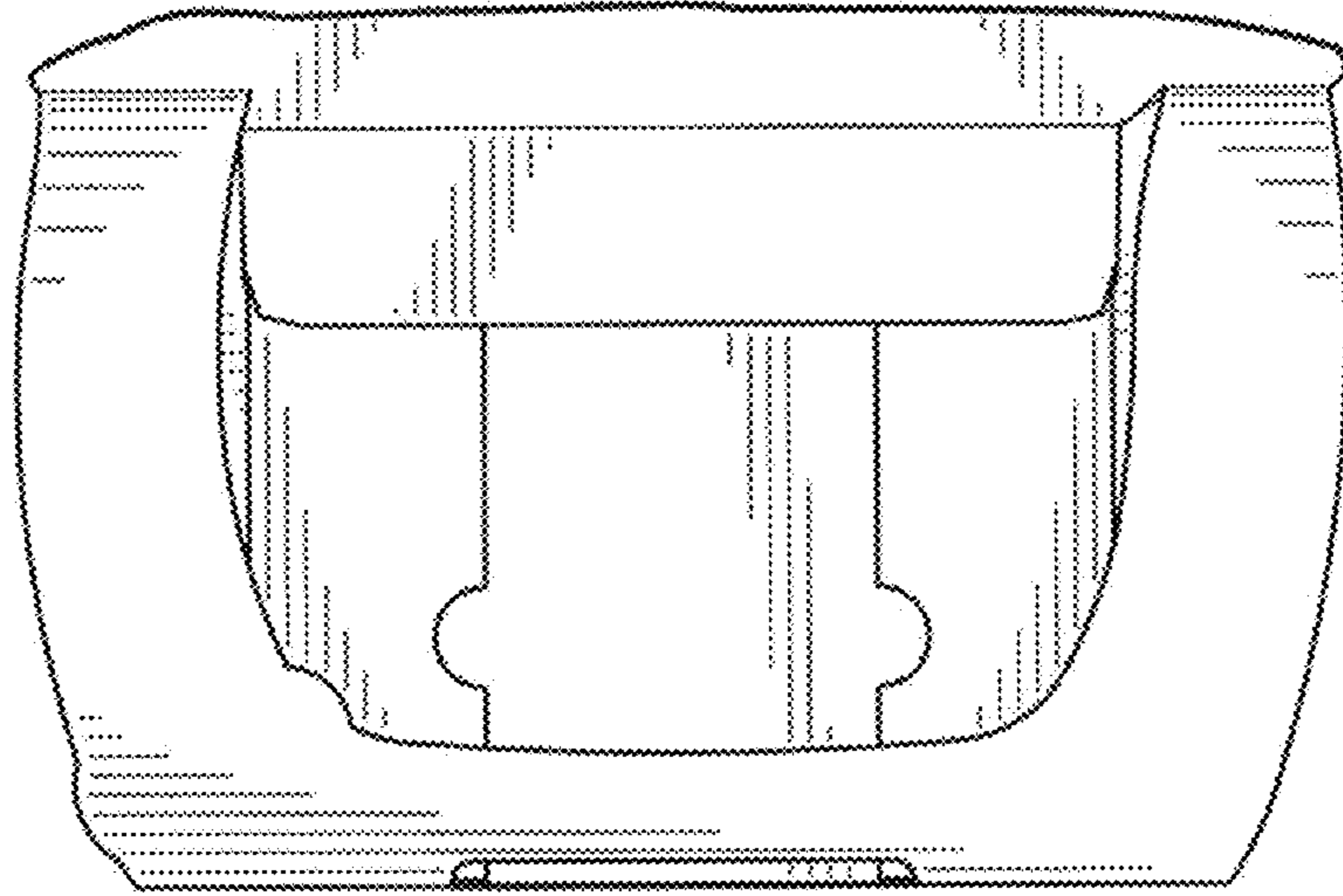


Fig. 4

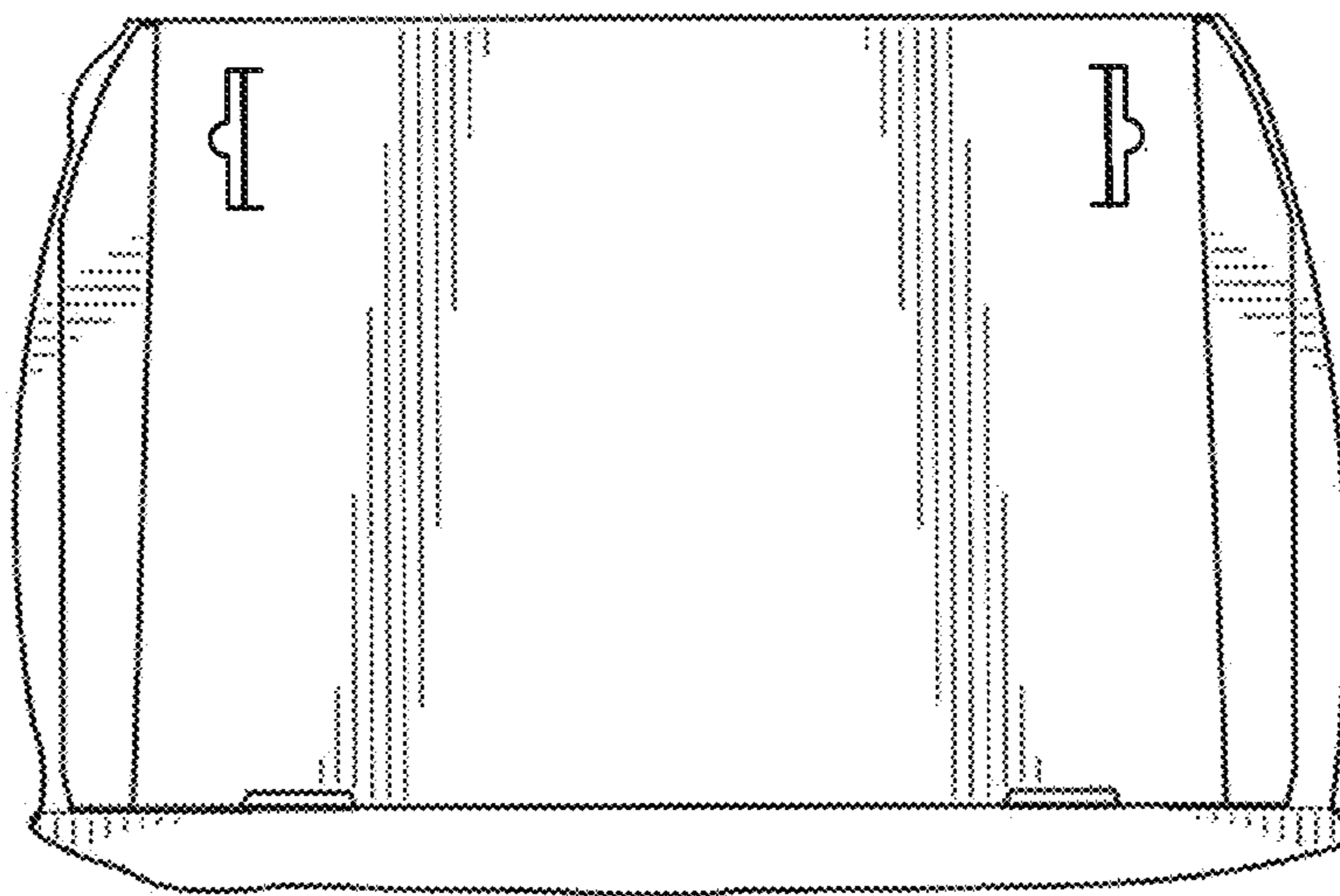


Fig. 5

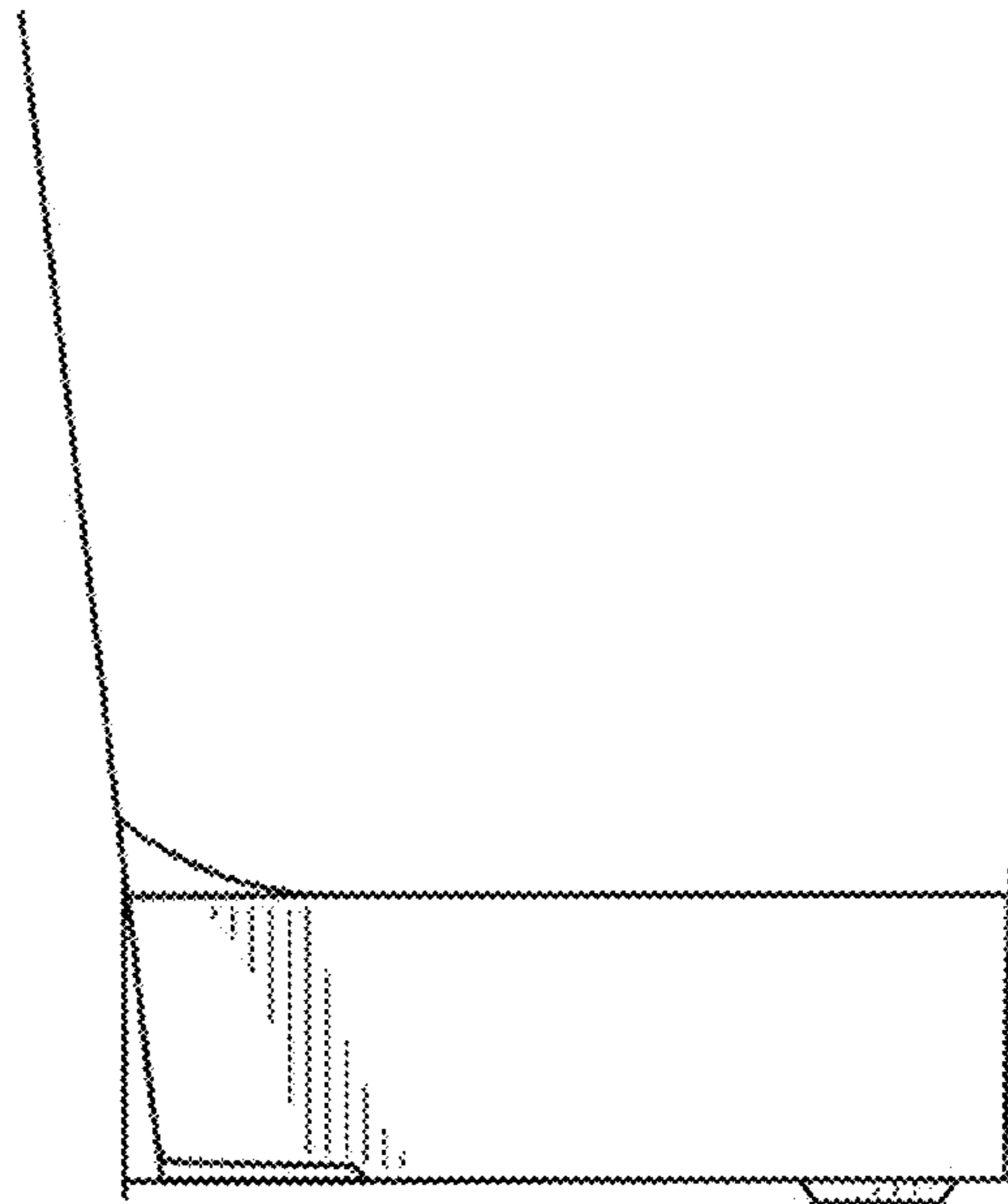


Fig. 6

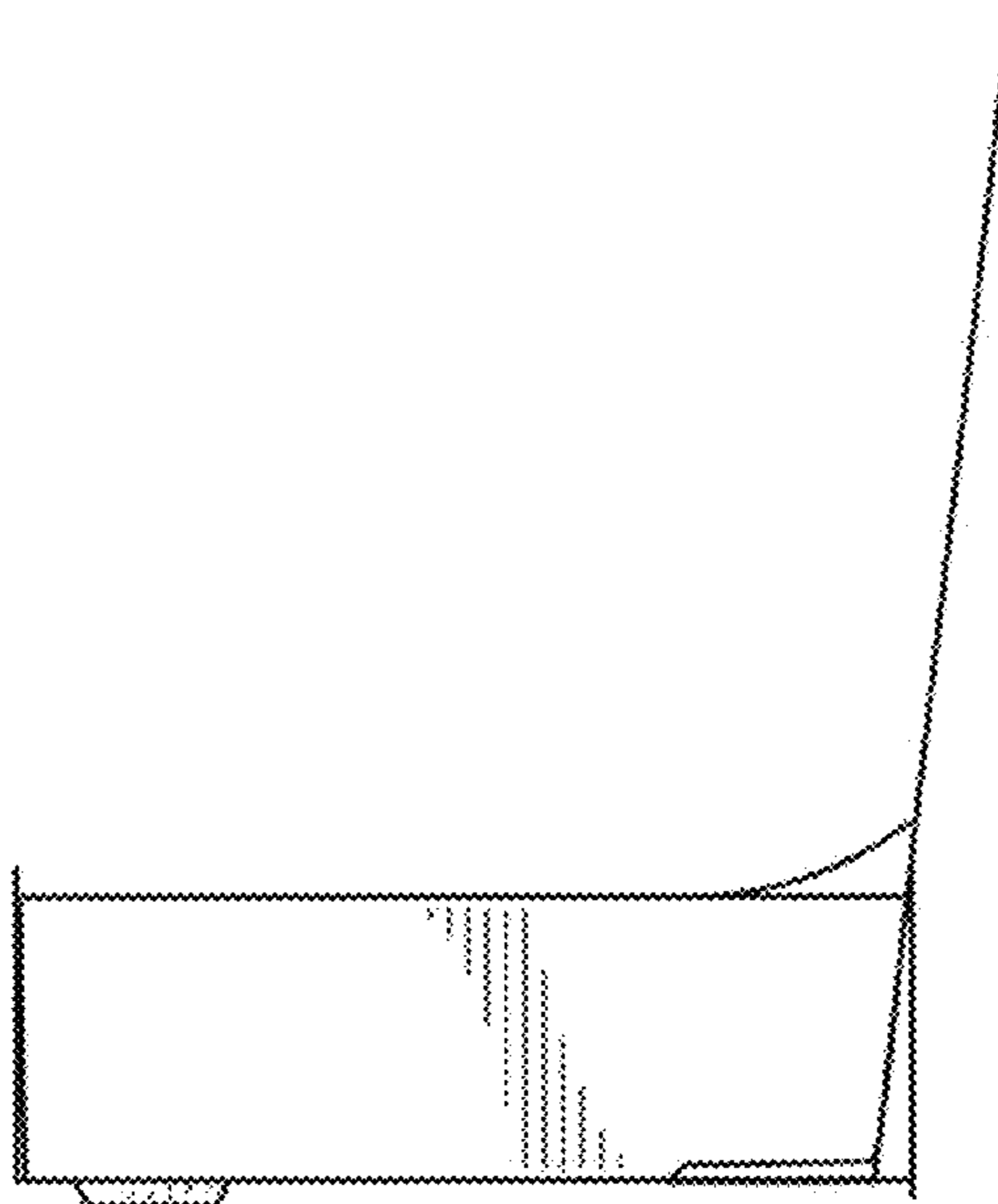


Fig. 7

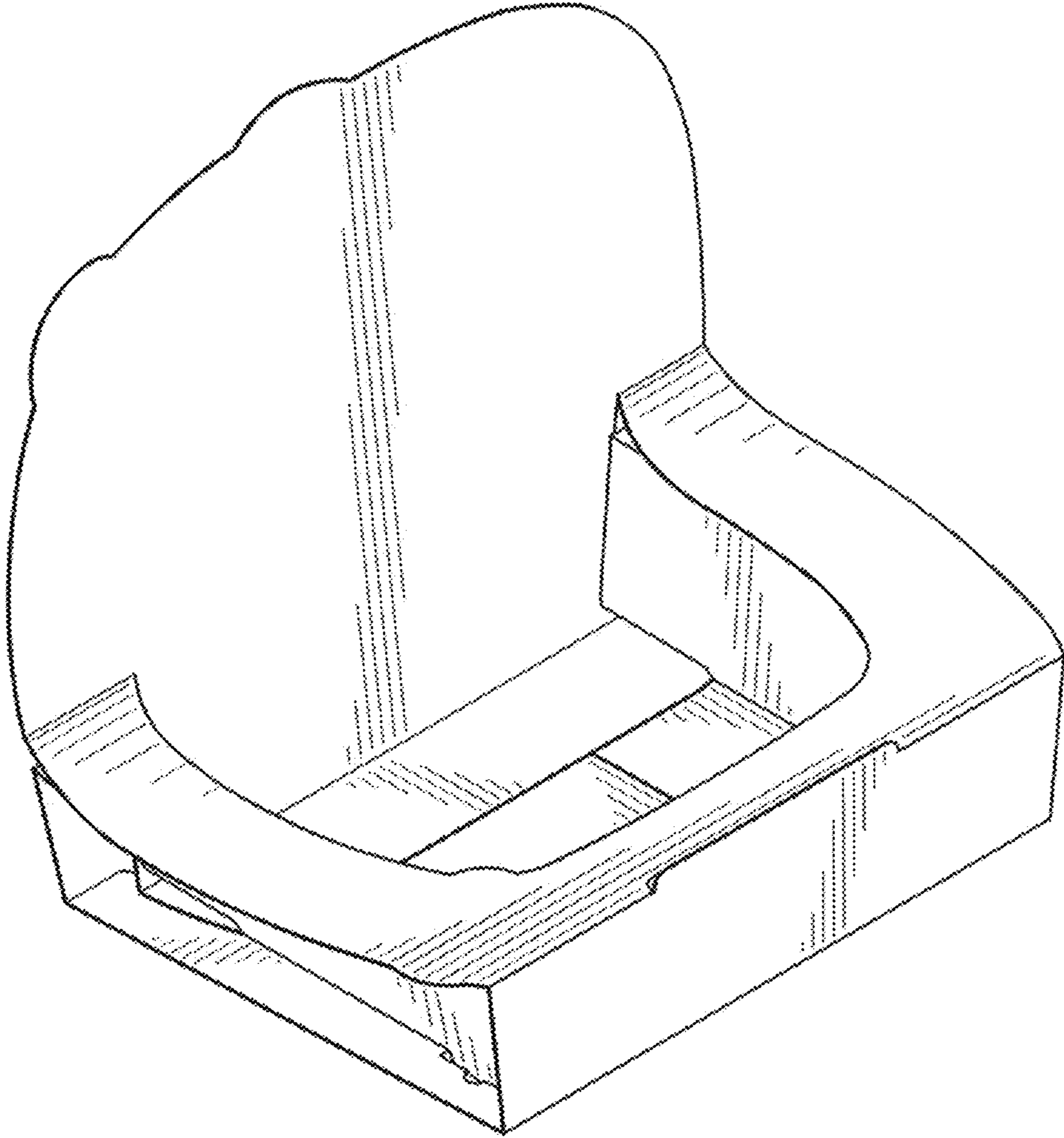


Fig. 8

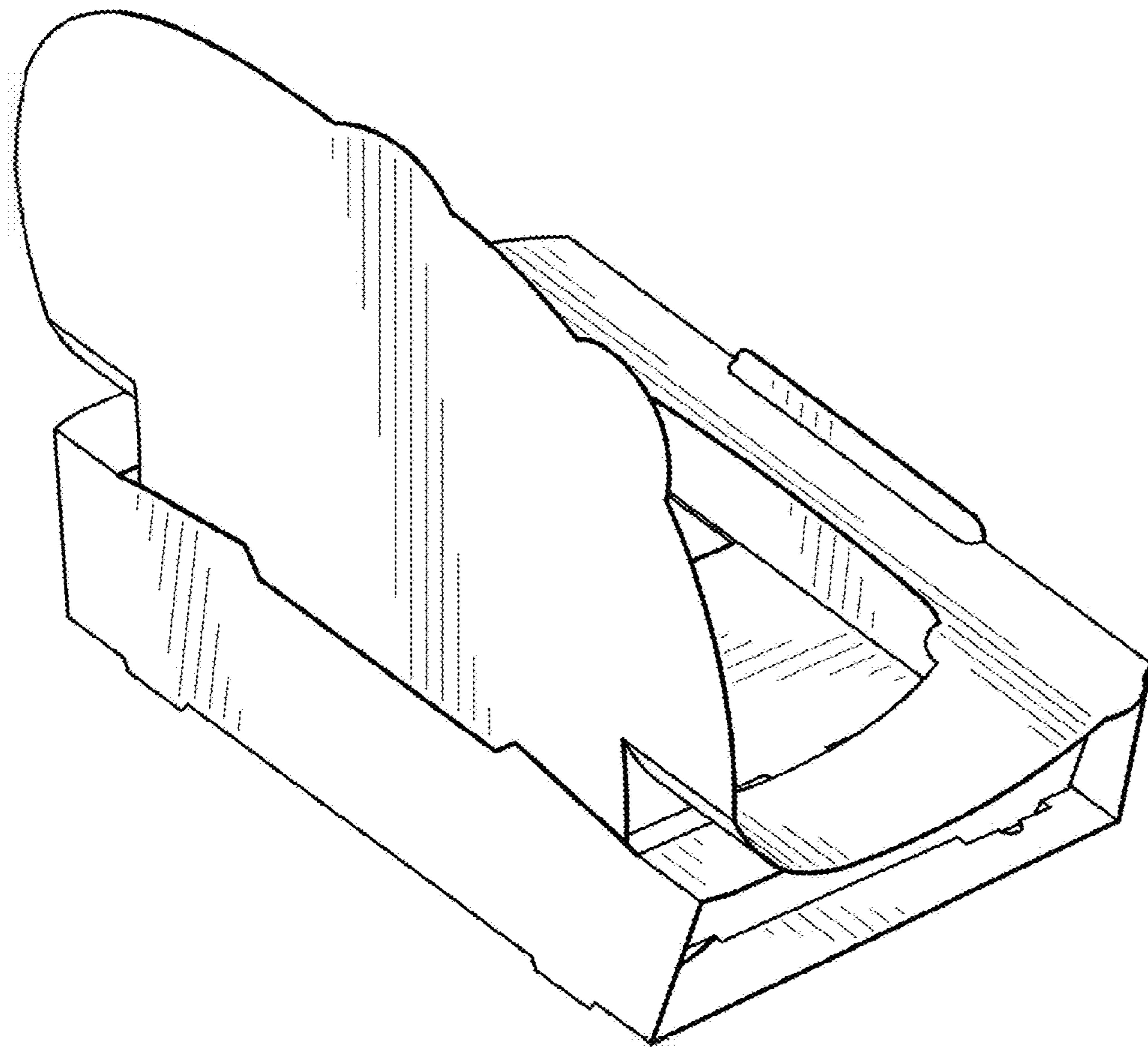


Fig. 9